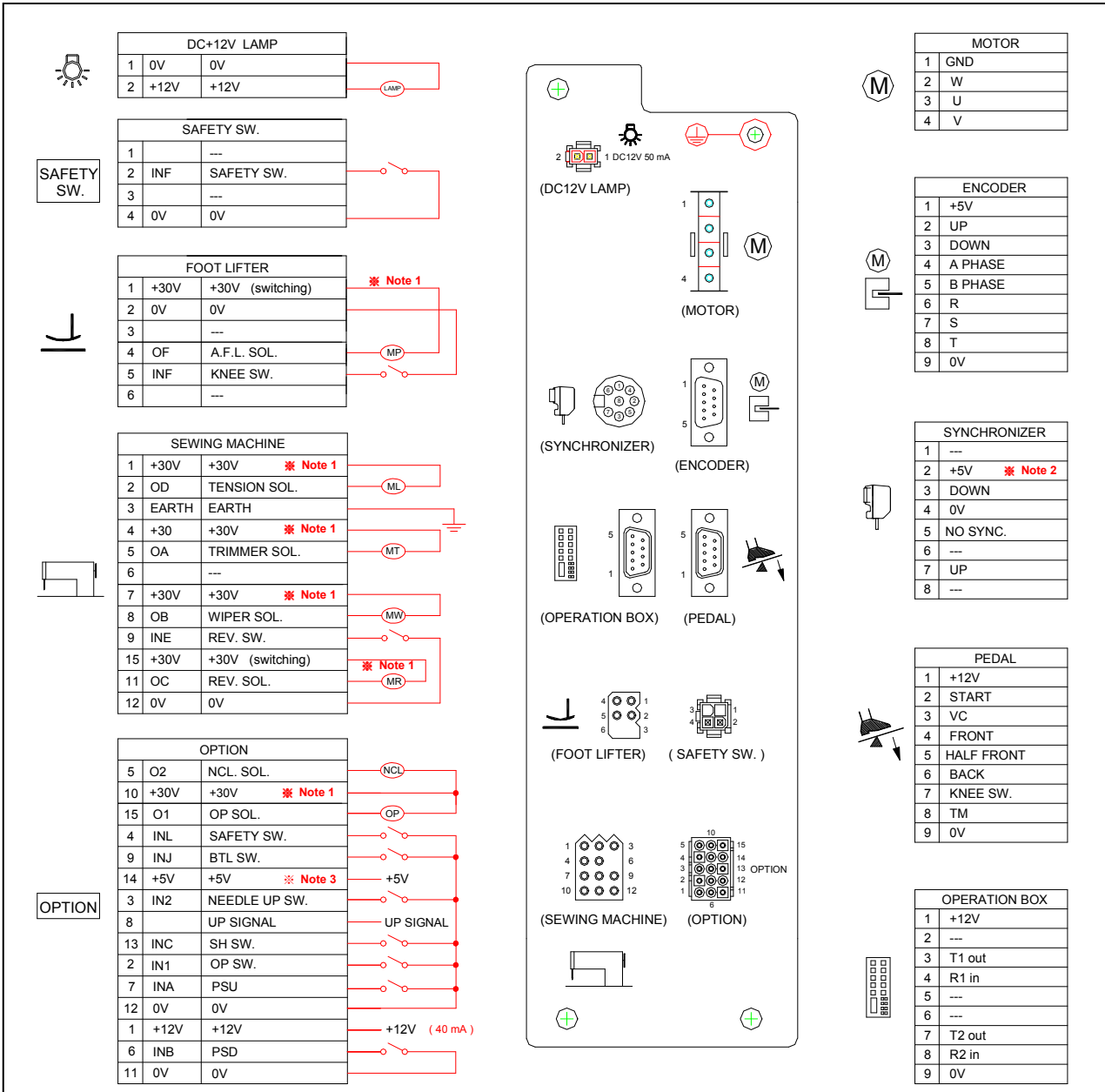


9.CONNECTOR DIAGRAM :

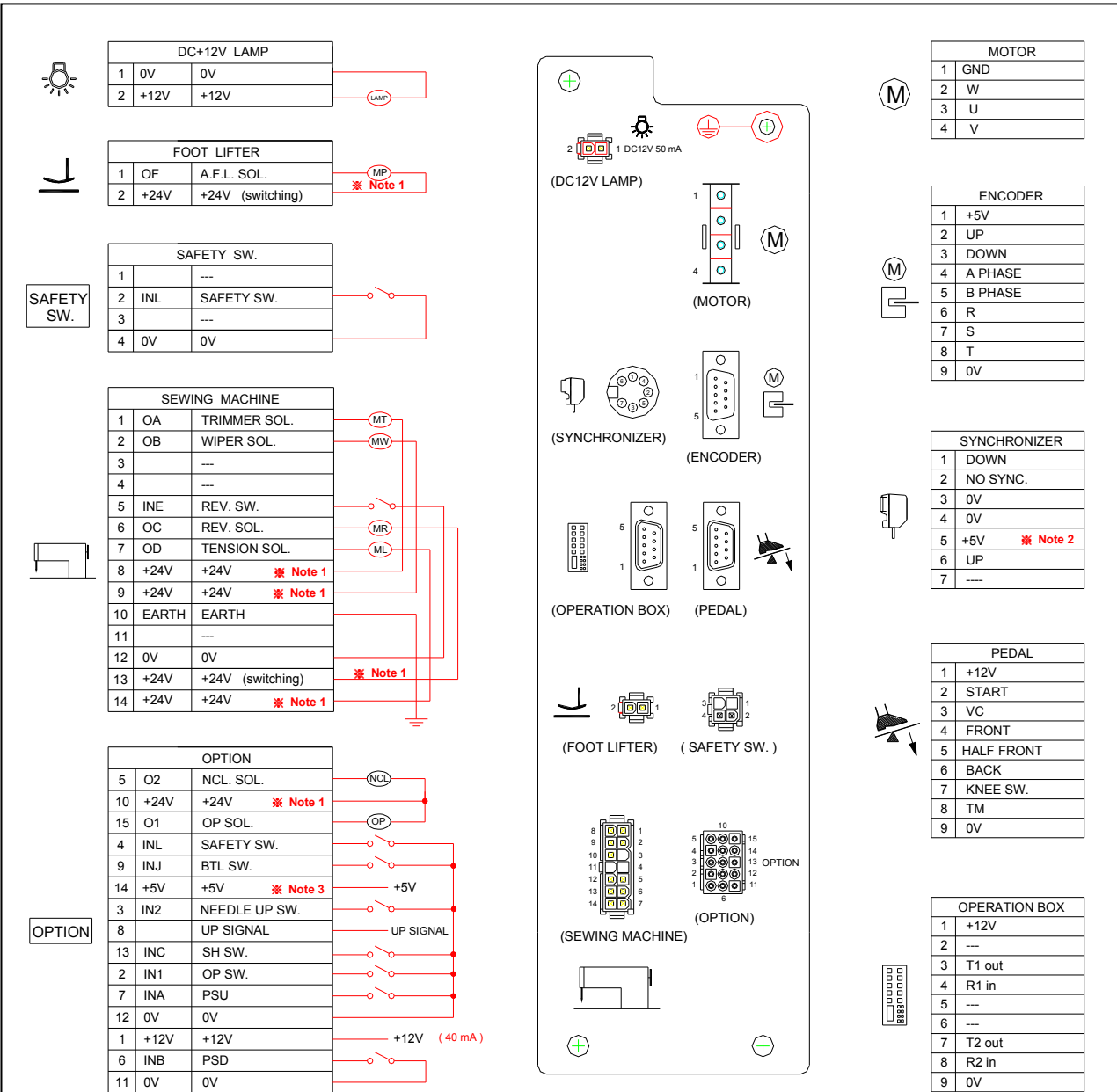
(1).HVP-70- 3/4 -BR : (T1)



NOTE : For HVP-3-BR, There is no **[OPTION]** .

| Item | Voltage supply | Factory setting | Location | Description |
|---------------|---|-----------------|-------------|--------------------------|
| Note 1 | 30 V / 24 V | 30 V | JP 4 / JP 5 | JP 4 = 30V , JP 5 = 24V. |
| Note 2 | 5 V / 12 V | 5 V | JP 3 | Must be set at 5 V. |
| Note 3 | 5 V / 12 V | 5 V | JP 10 | |
| | | | | |
| Remark | Switching voltage output is available for MR · MP only. | | | |

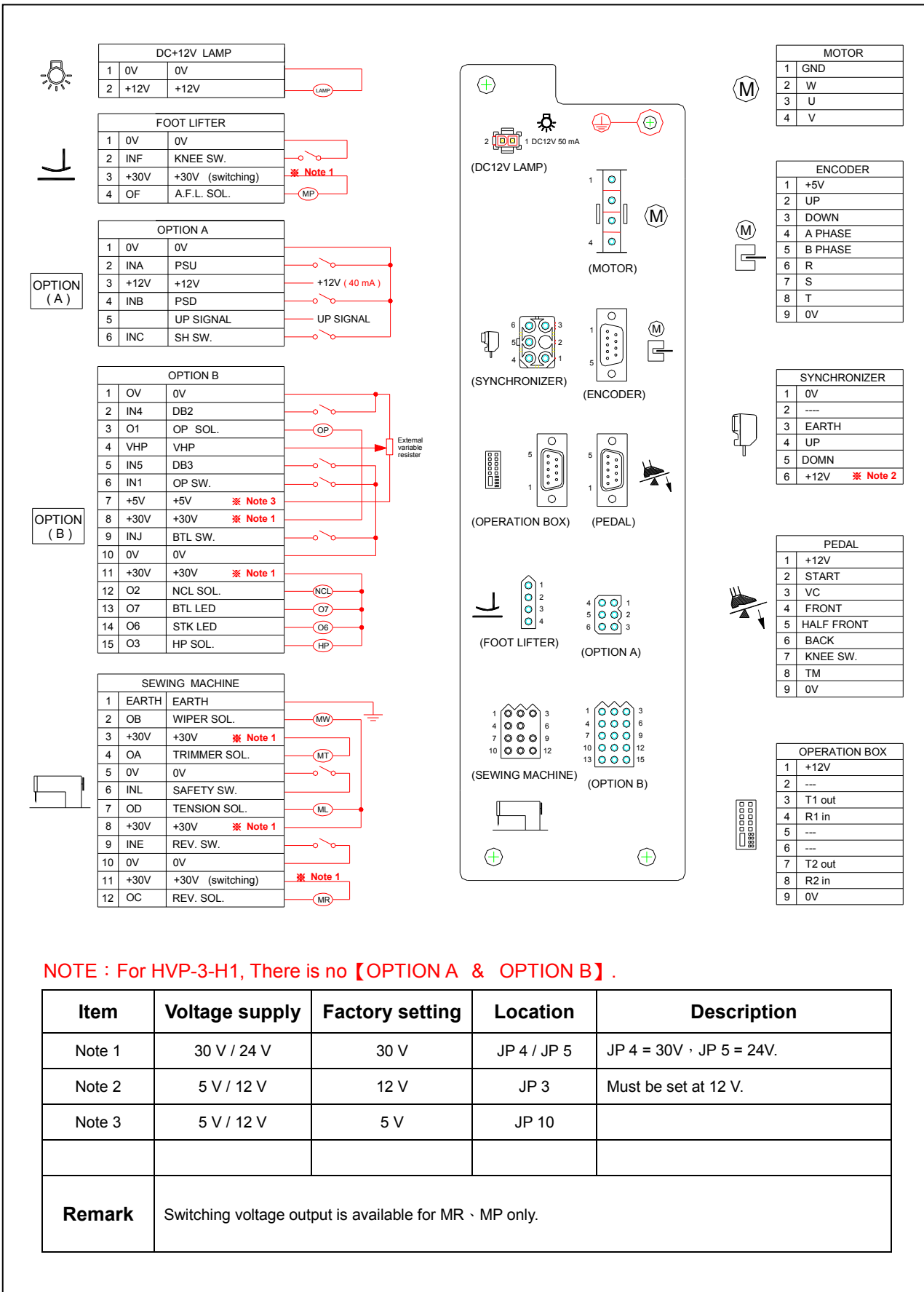
(2).HVP-70- 3/4 -7W :



NOTE : For HVP-3-7W, There is no 【OPTION】 .

| Item | Voltage supply | Factory setting | Location | Description |
|---------------|---|-----------------|-------------|-------------------------|
| Note 1 | 30 V / 24 V | 24 V | JP 4 / JP 5 | JP 4 = 30V · JP 5 = 24V |
| Note 2 | 5 V / 12 V | 5 V | JP 3 | Must be set at 5 V |
| Note 3 | 5 V / 12 V | 5 V | JP 10 | |
| | | | | |
| Remark | Switching voltage output is available for MR · MP only. | | | |

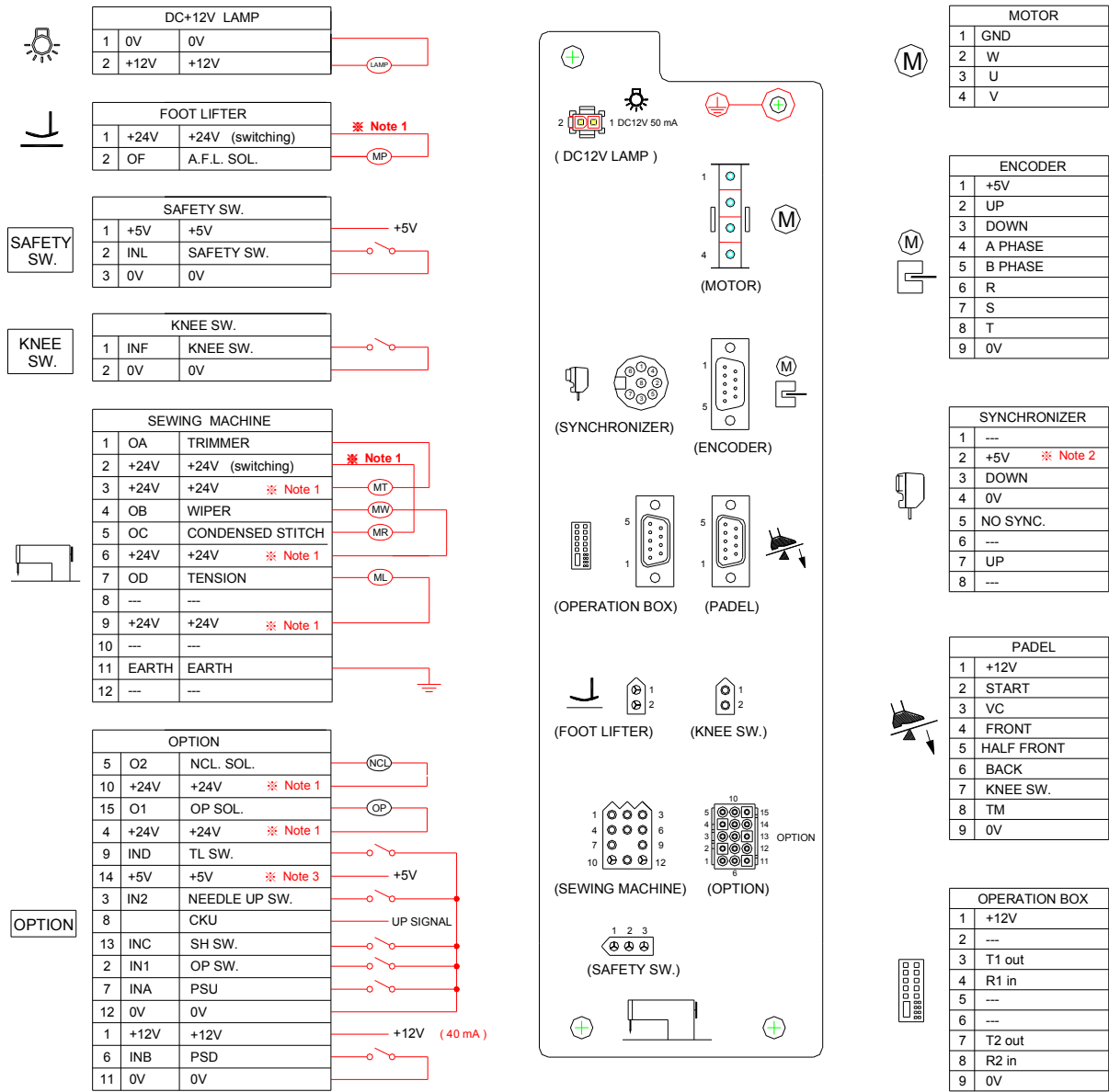
(3).HVP-70- 3/4 -H1 : (H2) 、(H3)



NOTE : For HVP-3-H1, There is no [OPTION A & OPTION B] .

| Item | Voltage supply | Factory setting | Location | Description |
|---------------|---|-----------------|-------------|--------------------------|
| Note 1 | 30 V / 24 V | 30 V | JP 4 / JP 5 | JP 4 = 30V , JP 5 = 24V. |
| Note 2 | 5 V / 12 V | 12 V | JP 3 | Must be set at 12 V. |
| Note 3 | 5 V / 12 V | 5 V | JP 10 | |
| | | | | |
| Remark | Switching voltage output is available for MR · MP only. | | | |

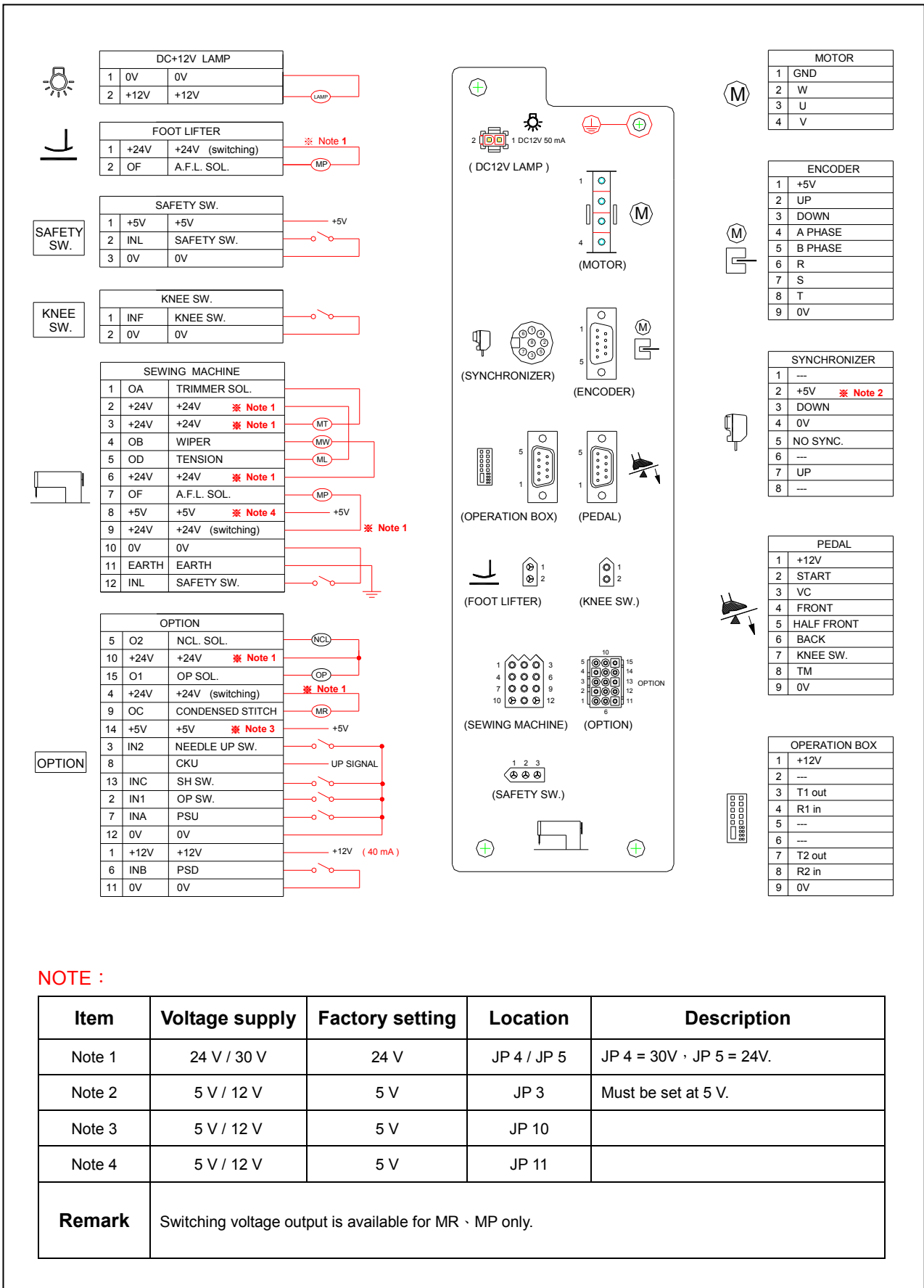
(4).HVP-70- 4 -66 : (V7)



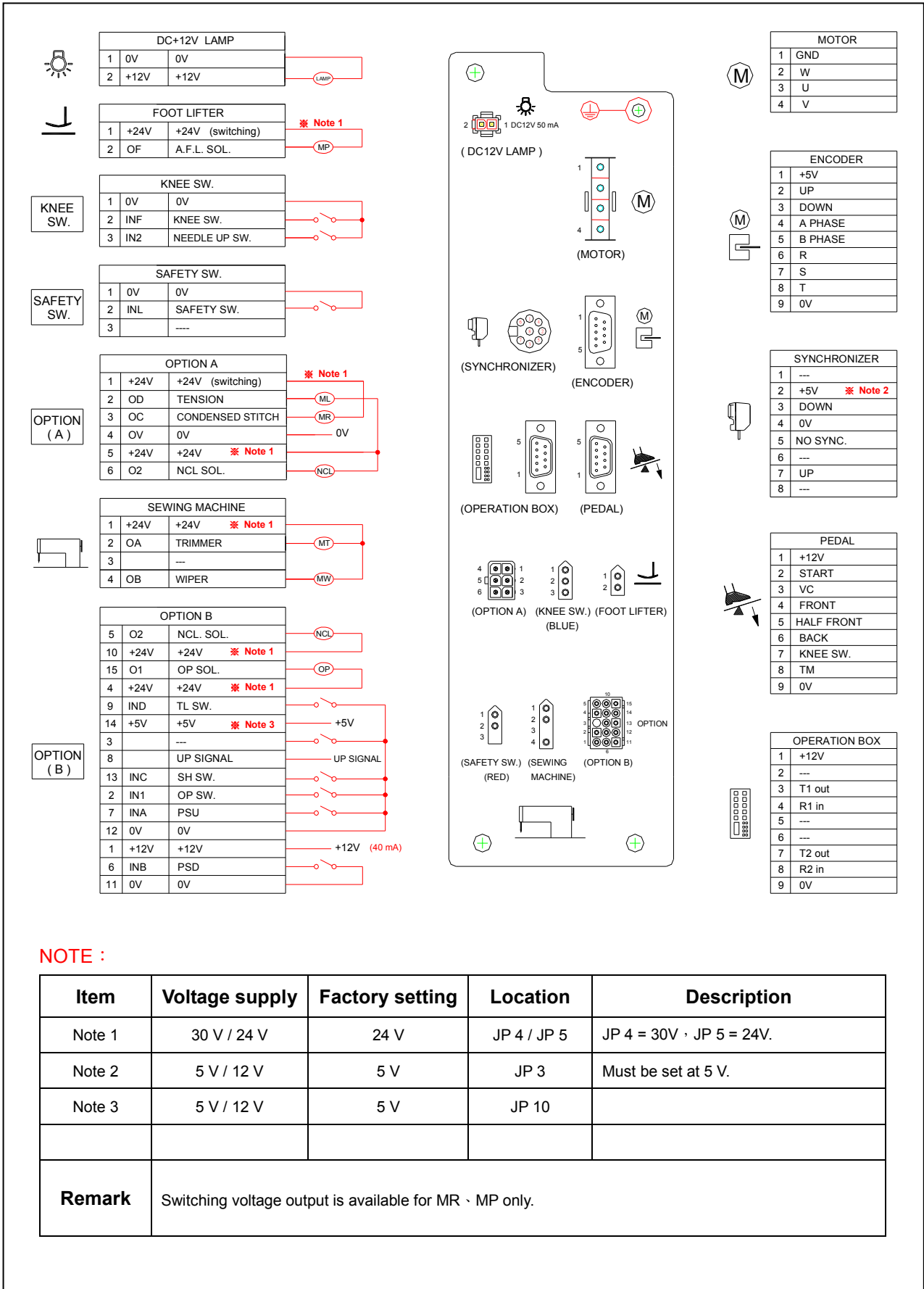
NOTE :

| Item | Voltage supply | Factory setting | Location | Description |
|---------------|---|-----------------|-------------|--------------------------|
| Note 1 | 30 V / 24 V | 24 V | JP 4 / JP 5 | JP 4 = 30V · JP 5 = 24V. |
| Note 2 | 5 V / 12 V | 5 V | JP 3 | Must be set at 5 V. |
| Note 3 | 5 V / 12 V | 5 V | JP 10 | |
| | | | | |
| Remark | Switching voltage output is available for MR · MP only. | | | |

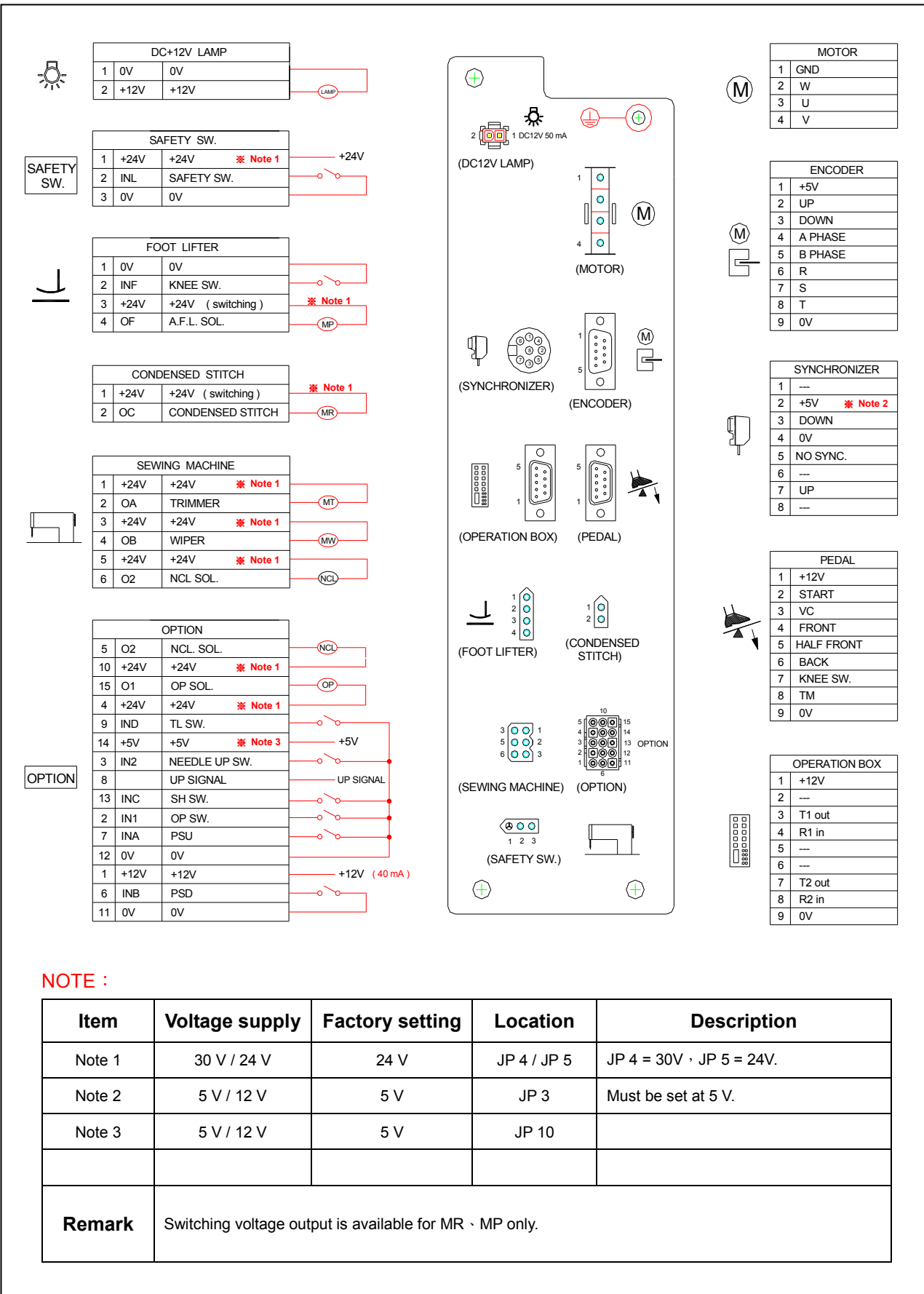
(5).HVP-70- 4 -46 : (T2)



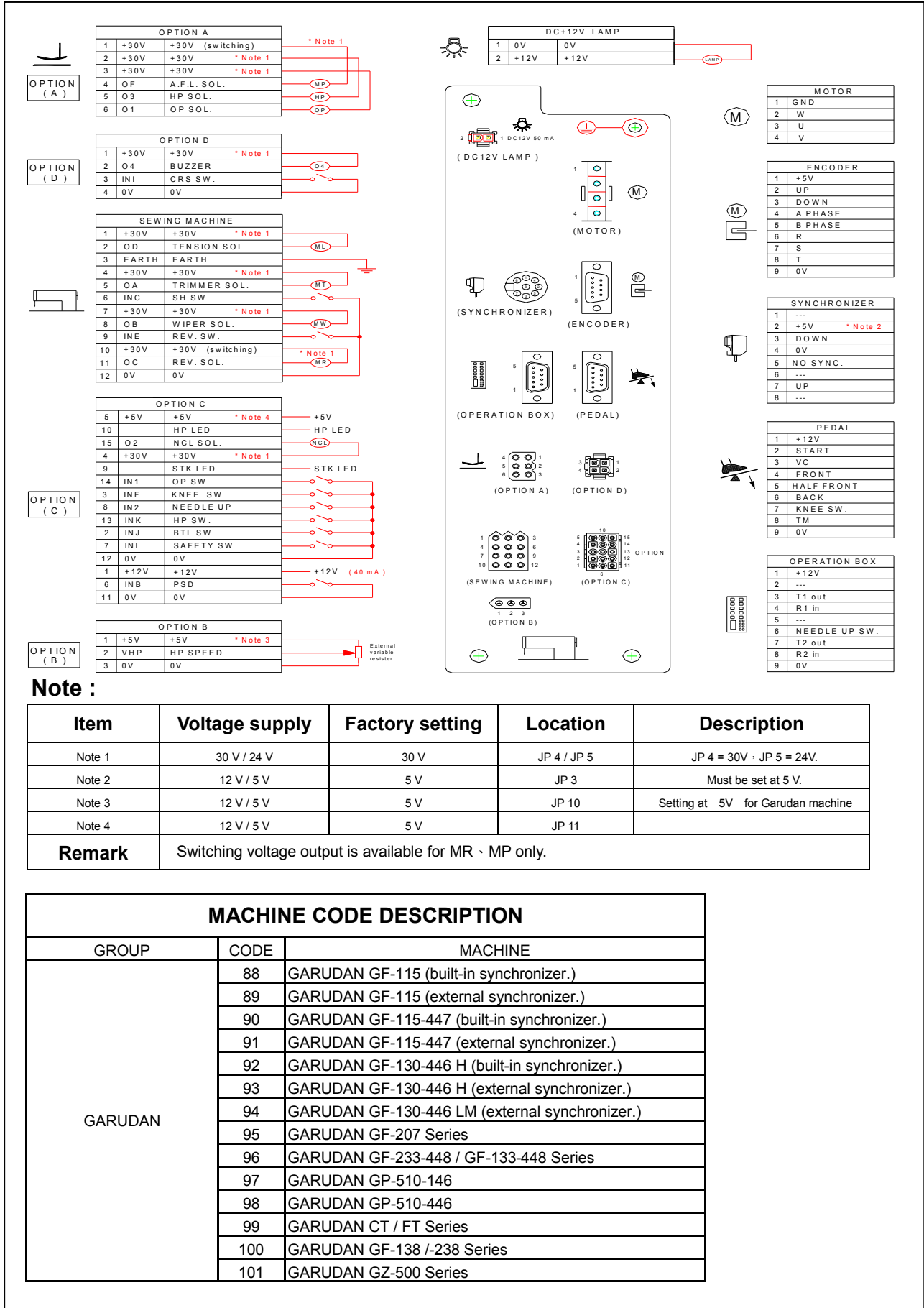
(6).HVP-70- 4 -70 :



(7).HVP-70- 4 -98 :



(8). HVP-70-4-GD



MACHINE CODE DESCRIPTION

| GROUP | CODE | MACHINE |
|---------|------|--|
| GARUDAN | 88 | GARUDAN GF-115 (built-in synchronizer.) |
| | 89 | GARUDAN GF-115 (external synchronizer.) |
| | 90 | GARUDAN GF-115-447 (built-in synchronizer.) |
| | 91 | GARUDAN GF-115-447 (external synchronizer.) |
| | 92 | GARUDAN GF-130-446 H (built-in synchronizer.) |
| | 93 | GARUDAN GF-130-446 H (external synchronizer.) |
| | 94 | GARUDAN GF-130-446 LM (external synchronizer.) |
| | 95 | GARUDAN GF-207 Series |
| | 96 | GARUDAN GF-233-448 / GF-133-448 Series |
| | 97 | GARUDAN GP-510-146 |
| | 98 | GARUDAN GP-510-446 |
| | 99 | GARUDAN CT / FT Series |
| | 100 | GARUDAN GF-138 /-238 Series |
| | 101 | GARUDAN GZ-500 Series |