




<i>Manufacturer</i>	GHIDINI BENVENUTO s.r.l.
<i>Product</i>	Ironing table – <b>EOLO</b>
<i>Year</i>	2007
<i>Certification</i>	

## CONTENTS

1	INTRODUCTION	10	HAZARDOUS USE
2	GENERAL DESCRIPTION	11	OVERALL DIMENSIONS AND DRAWINGS
3	MACHINE IDENTIFICATION	12	MAINTENANCE PROCEDURES
4	TECHNICAL FEATURES	13	DISPOSAL
5	MACHINE COMPONENTS	14	HOW TO ORDER SPARE PARTS
6	MACHINE UNPACKING AND INSTALLATION	15	HANDLING AND TRANSPORT
7	INSTRUCTIONS FOR USE	16	WARRANTY
8	TROUBLESHOOTING AND SOLVING	17	CONFORMITY DECLARATION
9	PRECAUTIONS		

## 1 INTRODUCTION

The present user's and maintenance manual refers to the ironing table "EOLO".  
It is possible to receive the latest release from our Technical Commercial Department or by visiting our website [www.ghidini-gb.it](http://www.ghidini-gb.it).

The present user's and maintenance manual contains important information for the operator's health safeguard and safety.

This manual has to be read and kept carefully, in order to be always at the operator's disposal in case of need.  
Ghidini s.r.l. cannot be held liable for any damage to things or injury to persons caused by improper use of the machine in contrast with these instructions.

Any possible modifications effected on the components of the machine or its different use without prior written authorization by Ghidini s.r.l., relieve the latter of injury to persons and / or damages to things, voiding any warranty bindings, as well.

## 2 GENERAL DESCRIPTION

The ironing table EOLO features a broad universal board available in the Standard or Maxi size, and a sleeve shape (optional), both of which are padded, electrically heated, and equipped with a suction device. Furthermore, it features a garment tray, a control panel to adjust the board temperature, and a pedal to activate the suction on the boards.

On request, it is possible to supply the following accessories: complete steam iron assembly, steam-air gun, steam gun, heated egg shape, stainless steel spotting shape, steam iron hanger with balancer, rail with board lighting.  
This unit requires an external power and steam supply for its operation.

## 3 MACHINE IDENTIFICATION

A tag placed on one side of the machine indicates type, serial number, year of construction and the supply voltage of the machine.

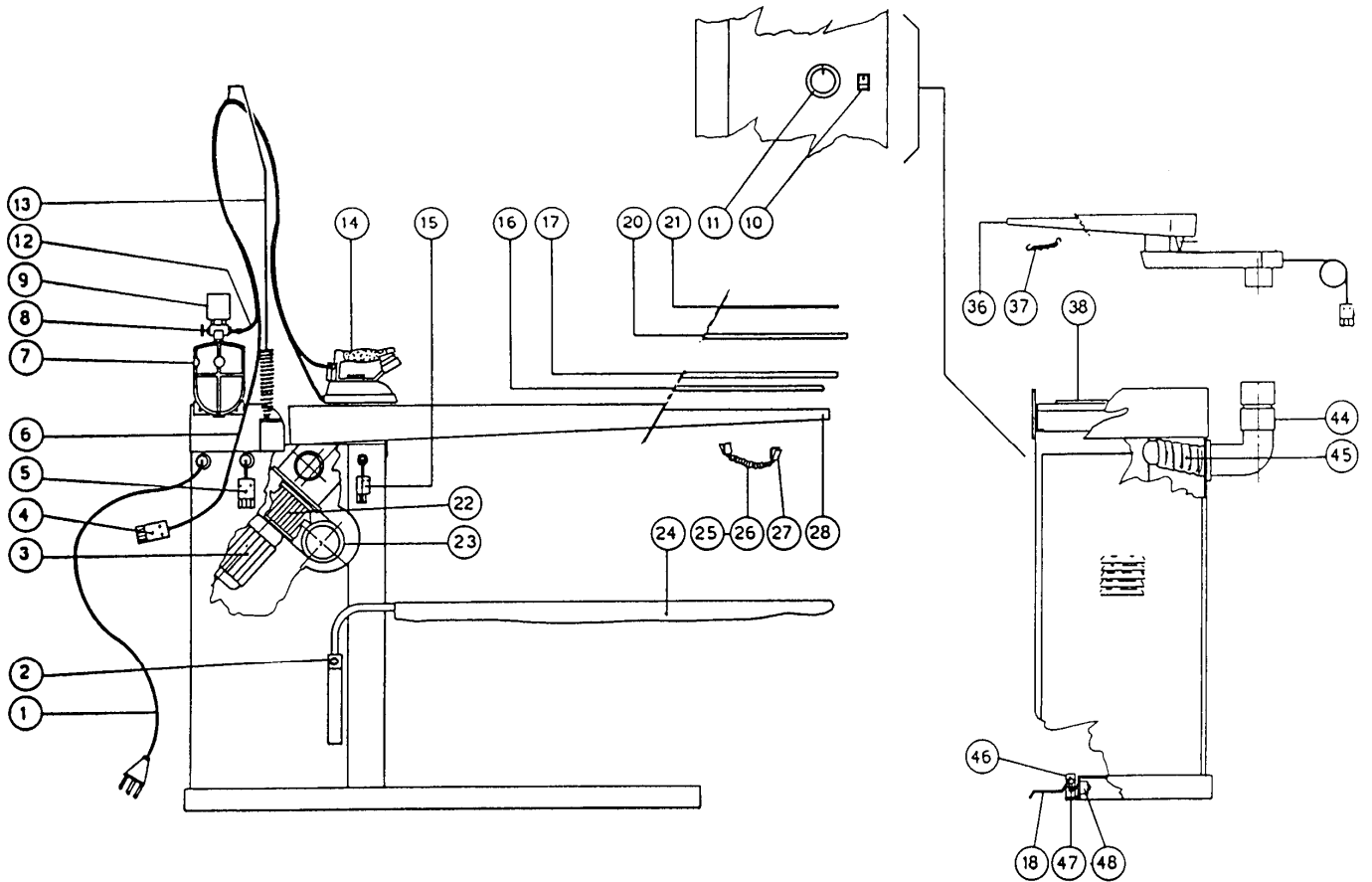
## 4 TECHNICAL FEATURES

Power supply	230V – 1ph / 50 Hz		
Power consumption	Steam iron	Sleeve shape	Table
	0,83 Kw	0,14 Kw	1 Kw
Suction motor	0,6 Hp		
Steam consumption	5 Kg/h		
Sound intensity level	< 70 dB(A)		
Working temperature	+ 5 ÷ + 80 °C		
Working humidity	90% max.		
Storing temperature	- 20 ÷ + 50 °C		
Net dimension	1480 x 480 x 930 mm.		
Net weight	63 Kg		
Overall dimensions (packaging included)	1520 x 580 x 1000 mm		
Gross weight (packaging included)	83 Kg		

**WARNING:** The machine must not be supplied with different voltages than those indicated on the table.

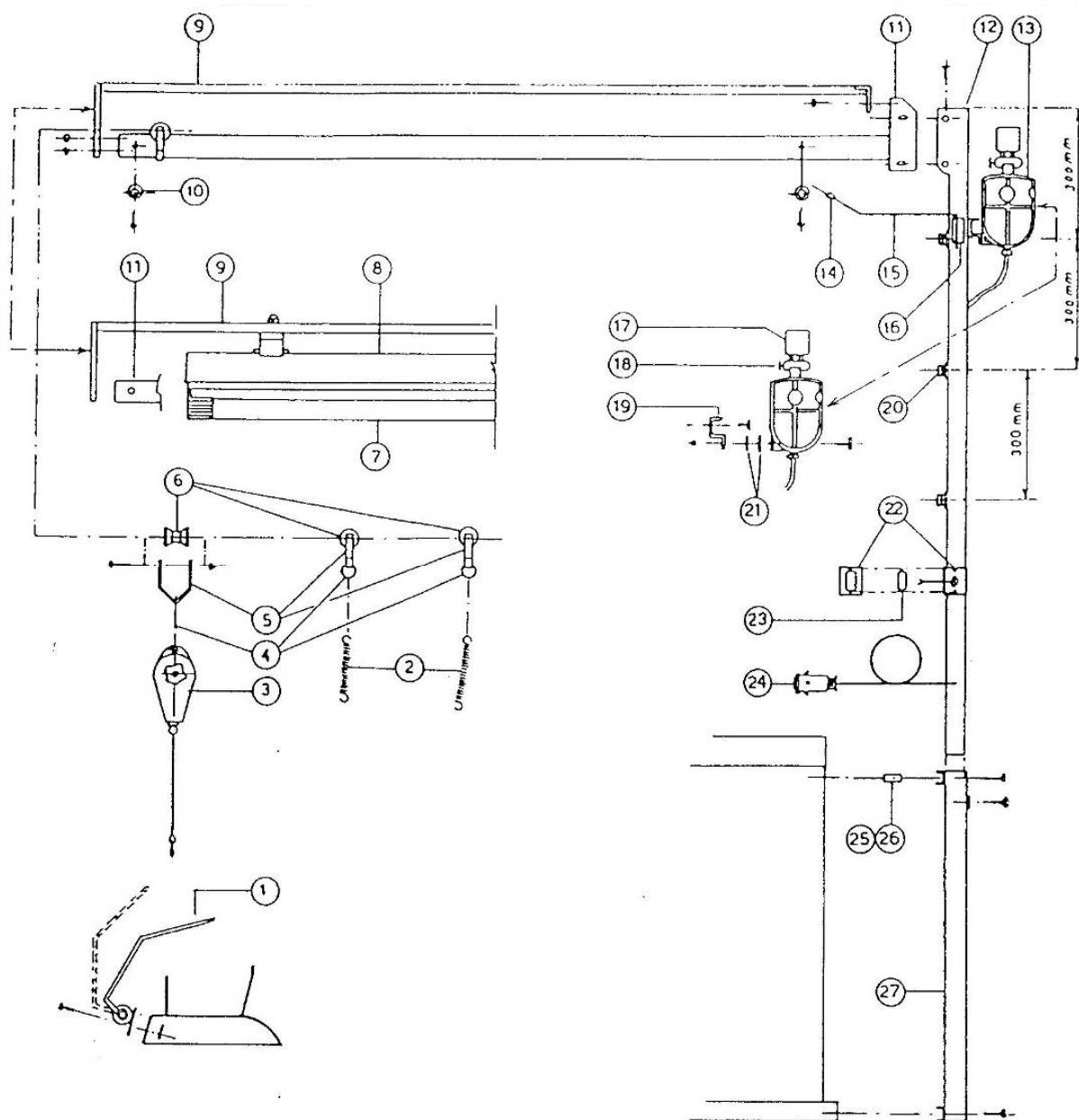
## 5 MACHINE COMPONENTS

The machine features the following main components:



Pos.	ARTICLE	DESCRIPTION	Pos.	ARTICLE	DESCRIPTION
1	463281	Supply cable	18	173320	Suction pedal
2	52A004	Handwheel	20	274122	Padding and net for universal board
3	42A002	Suction motor 230V / 1ph / 50Hz	21	Z27P31	Std. cloth with zip fastener, padding and net
	42A009	Suction motor 380V / 3ph / 50Hz	22	42H002	Suction fan Ø180 x 72
4	43H002	Iron plug	23	340017	Suction fan wheel box
5	43G002	Iron socket	24	274203	Cloth for garment tray
6	Z23C00	Electric cable	25	534261	Long fastening spring for cloth
7	202048	Condensation separator	26	534262	Short fastening spring for cloth
8	39B005	Steam solenoid valve for iron	27	534272	Cloth stretcher
9	39H011	Coil for steam iron solenoid valve	28	162114	Universal table
10	43A002	Main switch	36	Z14A01	Sleeve shape
11	45C001	Table thermostat	37	534263	Spring for sleeve shape cloth
12	07A002	Steam silicone hose	38	25A001	Silicone iron rest
13	534269	Cable support	44	E 14	Sleeve shape union
14	Z01L10	Steam iron type U	45	06D014	Flexible pipe for swinging arm union Ø60
15	43G001	Sleeve shape socket	46	184005	Pedal support
16	213123	Table heater 1000 Watt	47	534276	Pedal spring
17	161020	Perforated plate for universal table	48	43D002	Micro-switch for suction

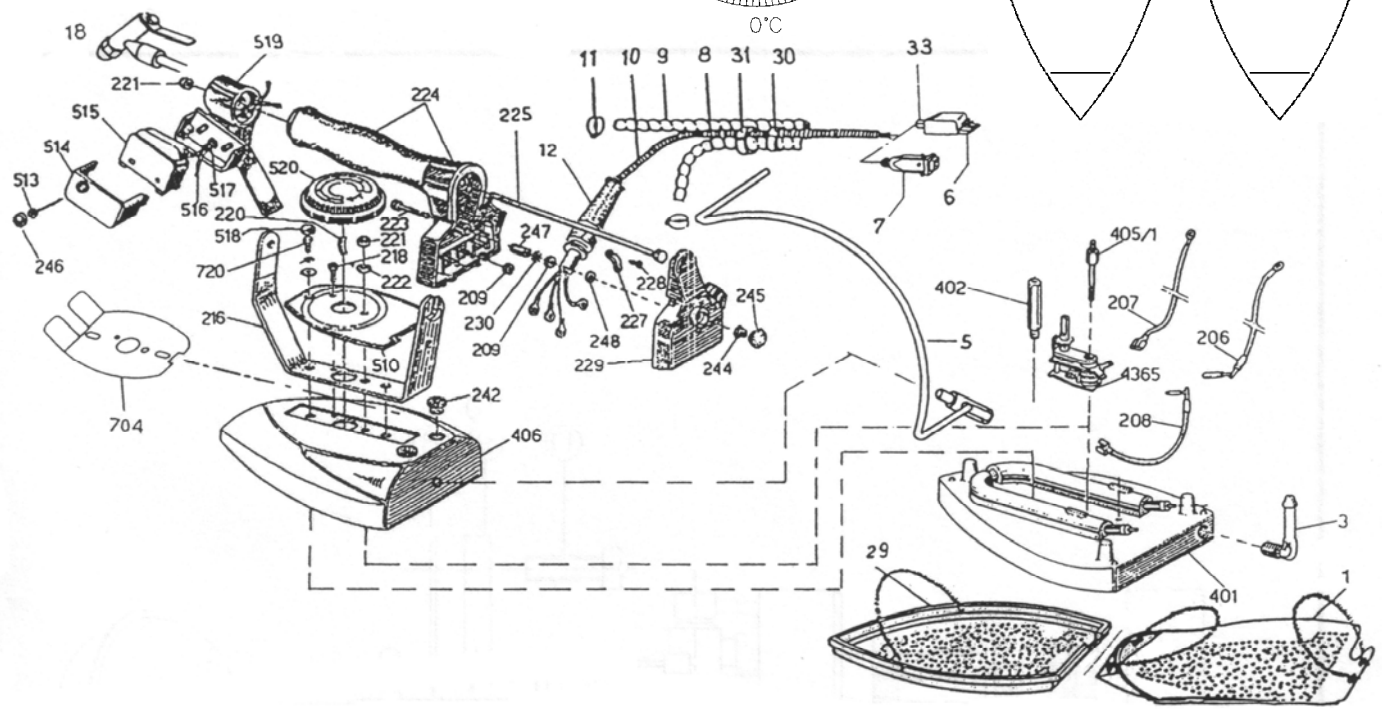
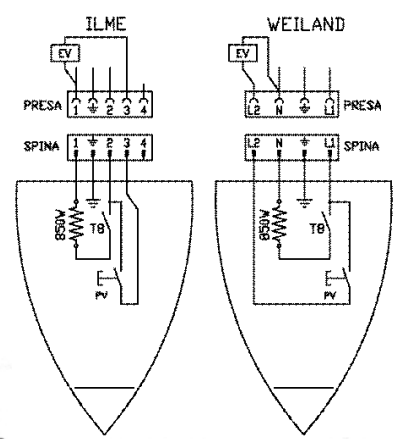
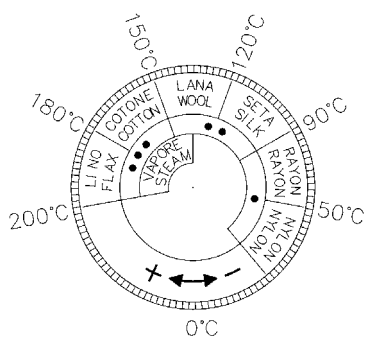
## IRON WITH HANGER AND LIGHTING RAIL



Pos.	ARTICLE	DESCRIPTION	Pos.	ARTICLE	DESCRIPTION
1	Z08M00	Iron support fitting	14	22K019	Push rod
2	534264	Spring	15	174520	Accessory holder
3	43A001	Balancer	16	174521	Bracket for accessory holder
4	51X010	Ring	17	39H011	Coil for steam iron solenoid valve
5	174022	Bracket	18	39B005	Steam iron solenoid valve
6	56B002	Complete wheel	19	175108	Supporting bracket for condensation separator
7	43C009	Lamp 36W - 230V	20	46R005	Cable holder
8	43C007	Complete upper light fixture	21	244244	Gasket 30x7x3
9	174084	Front lamp support	22	43K005	Switch box
10	22A002	Bumper foot	23	43A003	Switch
11	173304	Track L150	24	43H001	Plug
	173025	Track L178	25	174017	Spacer L35
12	173028	Upper column	26	174016	Spacer L43
13	202052	Condensation separator	27	173011	Bottom column

### STEAM IRON TYPE "U"

TECHNICAL FEATURES	
Power supply	220V 50 Hz
Iron heater	0,830 Kw
Working temperature	+ 5 ÷ + 80 °C
Working humidity	90 % max.
Storing temperature	- 20 ÷ + 50 °C
Net weight	1,8 Kg



Pos.	ARTICLE	DESCRIPTION	Pos.	ARTICLE	DESCRIPTION
4365	45A005	Thermostat with thermofuse	224	222056	Handle
720	184453	Fixing screw for body	223	184457	Fixing screw for handle
704	253297	Hand protection plate	222	514057	Fixing nut for body
520	224217	Hand wheel	221	514056	Nut for handle rod
519	173236	Micro-switch support	220	534288	Hand wheel spring
518	22K038	Cap for body screw	218	184455	Fixing screw for body
517	224217	Sheathing	216	172057	Handle support
516	304284	Micro-switch wires	209	514055	Nut for terminal board
515	43D009	Micro-switch complete of wires and sheathing	208	304282	Electrical wiring for thermostat heater
514	43K007	Micro-switch case	207	304281	Electrical wiring for thermostat terminal board
513	184451	Micro-switch screw	206	304280	Electrical wiring for heater terminal board
510	264350	Plate	33	224255	Cable holder for plug
406	253255	Body	31	224260	Wire clamp
405/1	174020	Thermostat column	30	224215	Little spring
402	174019	Body column	29	Z23E01	Stiffened Teflon shoe
401	253254	Plate with heater	18	25A002	Water spray gun
248	184449	Isolating washers	12	224210	Cable holder
247	174018	Earth spacer	11	51X005	Clip
246	22K037	Micro-switch cap	10	Z23C00	Electrical wire
245	22K036	Nut cap	9	07A002	Silicone tube
244	514058	Nut for rear cover	8	07A001	Rubber tube
242	224245	Rubber cap for wire holder	7	43H009	Plug by Ilme
230	184448	Indented washer	6	43H002	Plug by Wieland
229	222133	Rear cover	5	174009	Jointed iron hanger
228	184450	U-bolt screw	3	364297	Cable hose
227	174353	Fixing U-bolt	1	Z23E00	Teflon shoe
225	183255	Handle rod			

## 6 MACHINE UNPACKING AND INSTALLATION

---

**ATTENTION:** The unit must be installed, opened and repaired by fully qualified technicians only.

### 6.1 UNPACKING

Find the most suitable place where to put the machine, then remove the packaging. Make sure that the machine has not been damaged during the transport and the storage.

The packaging material does not require any special precautions for its disposal, for it is not dangerous or polluting at all. Please refer to the local regulations for its disposal.

### 6.2 MACHINE INSTALLATION

The machine has not to be anchored to the floor.

For a correct use and operation, as well as for an easy maintenance, leave enough free space around the machine.

Do not place the machine in dangerous and/or explosive/inflammable places.

### 6.3 ELECTRICAL WIRING

The electrical wiring must be carried out as indicated in the drawing. Check that the supply voltage and the frequency correspond to those indicated on the rating plate. The dimensions of the supply cable must suit the machine absorption and comply to the current regulations.

It is advisable to install a switch with fuses or a thermal-magnetic circuit breaker on the line.

Put the cable into the cable holder, and then tighten. Connect the cable to the feeder line terminals on the control panel, as shown on the drawing of the present manual.

Check the rotation direction of the motors; if not correct, invert two of the three input phases with each other.

### 6.4 STEAM SUPPLY CONNECTION

- Connect the machine to a **central steam supply** as follows:

Connect a pipe with a G 1/4" gas threading to the top part of the steam outlet of the central unit and place an on-off-valve close to the machine. Afterwards, connect a pipe with an internal diameter of at least 10 mm to the steam intake (with G 1/4" threading) of the machine. For the condensation return, provide a pipe with exactly the same features of the steam pipe, and install an on-off valve followed by a check valve close to the machine. For the connection to the check valve, use a pipe with an internal diameter of at least 10 mm.

The steam network pressure must be of max. 4.5 bar.

- In case of a connection to a **small steam generator**, proceed as follows:

The steam intake of the machine features a G 1/4" threading for the connection to the steam generator. The steam network pressure must be of max. 4.5 bar.

It is advisable to install a pipe having an internal Ø of at least 8 mm. Install an on-off valve on the piping in order to exclude the machine from the steam generator. Connect the condensation return to the machine (with a G 1/4" threading), by using also in this case a pipe with an internal Ø of at least 8 mm. Install on this piping a check-valve and an on-off valve, in order to exclude the machine from the installation. Connect eventually to the small steam generator.

Do not bend the pipes at right angles, but at least with a 50 mm radius. Make sure that the pipes have an even incline, especially the one for the condensation return.

Do not create traps; don't use fittings or gate valves with a smaller diameter than the pipe, itself. The piping must not exceed 2.5 meters. The hole of the condensation return has to be at least 150 mm higher than the water level inside the boiler.

**WARNING:** After having carried out all the connections, make sure that pipes and cables are protected against any possible hits and are suitably fixed and isolated.

## 7 INSTRUCTIONS FOR USE

---

### 7.1 PUTTING INTO OPERATION

- The whole unit can be used, opened and repaired by qualified technicians only.
- It is forbidden to use the machine if flooded by liquids or in particularly aggressive or explosive/inflammable places.
- Do not ignore the dangers for the operator's health and follow the hygienic and safety regulations.
- Check that the electrical wiring is carried out correctly according to the current regulations, and that the fuse blocks are closed and complete of fuses.
- Make sure that the machine is intact.

## 7.2 USE

- Open the on-off valve of the steam supply and of the condensation return.
- Turn on the main switch of the machine.
- Adjust the board temperature by means of the thermostat wheel.
- Wait until the boards have reached the required temperature.
- Push the pedal for the activation of the air suction on the boards.
- At the end of the work, turn off the table by means of the relevant buttons.

## 7.3 USE OF THE SLEEVE SHAPE

- By drawing the sleeve shape towards the ironing surface, the valve on the inside the swinging arm will open automatically. Push the pedal for the suction.

## 7.4 USE OF THE STEAM IRON TYPE "U"

- Turn on the iron switch.
- Switch on the iron a few minutes before you start working, until the soleplate has reached the adjusted temperature.
- In case the temperature of the soleplate has to be kept very high, we recommend to apply a Teflon<sup>®</sup> shoe in order to prevent burns of the garment.

## 8 TROUBLESHOOTING AND SOLVING

The following diagnostic table indicates the main irregularities, which can occur, the probable causes and their possible solutions

In case of doubts and/or of problems, which can't be solved, do not attempt to disassemble parts of the machine for the troubleshooting, but contact our Technical Department or the Ghidini-reseller, instead.

DIAGNOSTIC TABLE		
PROBLEMS	POSSIBLE CAUSES	SOLUTIONS
No suction on the boards	Micro-switch of the pedal defect	<i>Replace the micro-switch</i>
The boards do not heat up	Thermostat defect	<i>Replace the thermostat</i>
The machine doesn't turn on	Main switch not on	<i>Check the fuses and if the main switch is turned on</i>
	Switch turned off	<i>Turn on the switch</i>
No steam is coming out	Iron or boiler switch not turned on.	<i>Turn on the switches</i>
Very wet steam along with condensation comes out	Dirty filter on the condensation discharge	<i>Clean the filter</i>
	Condensation discharge defect	<i>Replace the condensation discharge</i>
	Check valve after condensation discharge defect	<i>Replace the valve</i>

## 9 PRECAUTIONS

Read carefully the instructions and the risks related to the use of an ironing table. The operator has to know its working functions and must clearly understand its dangers with the help of the manual.

If the machine features a steam iron, do not leave it switched on too long and place it always on the relevant iron rest. The ironing boards and the soleplate of the iron remain hot for some minutes after their switching-off, please pay therefore attention to the risks of burns and do not put objects on the table until its complete cooling-down.

### **Main electrical supply**

Prior to carrying out any inspection or service on the machine, it is necessary to disconnect it from the main electrical supply. Make sure, that nobody can reconnect it during the technical service.

Every installed electrical or electronic equipment or basic structure must be earthed.

### **Inflammability**

Adopt all the necessary precautions to avoid any direct contact of the machine with hot materials or flames. Put fire extinguishers near the machine for an immediate intervention in event of fire.

### **Pressure / Steam**

Prior to any intervention, switch off the boiler first, wait until all the pipes are cooled down and check that there are no residual pressures inside the boiler or in any branch of the hydraulic circuit, as they could cause steam or product spurts, in case of disassembly of fittings or other components.

### **Noise**

The machine's noise level is not very high, as it remains under 70dB (A).

## 10 HAZARDOUS USE

The conformity verification according to the essential safety rules and to the provisions of the machine directive has already been carried out by filling out the specially provided checking lists, included in the technical file.

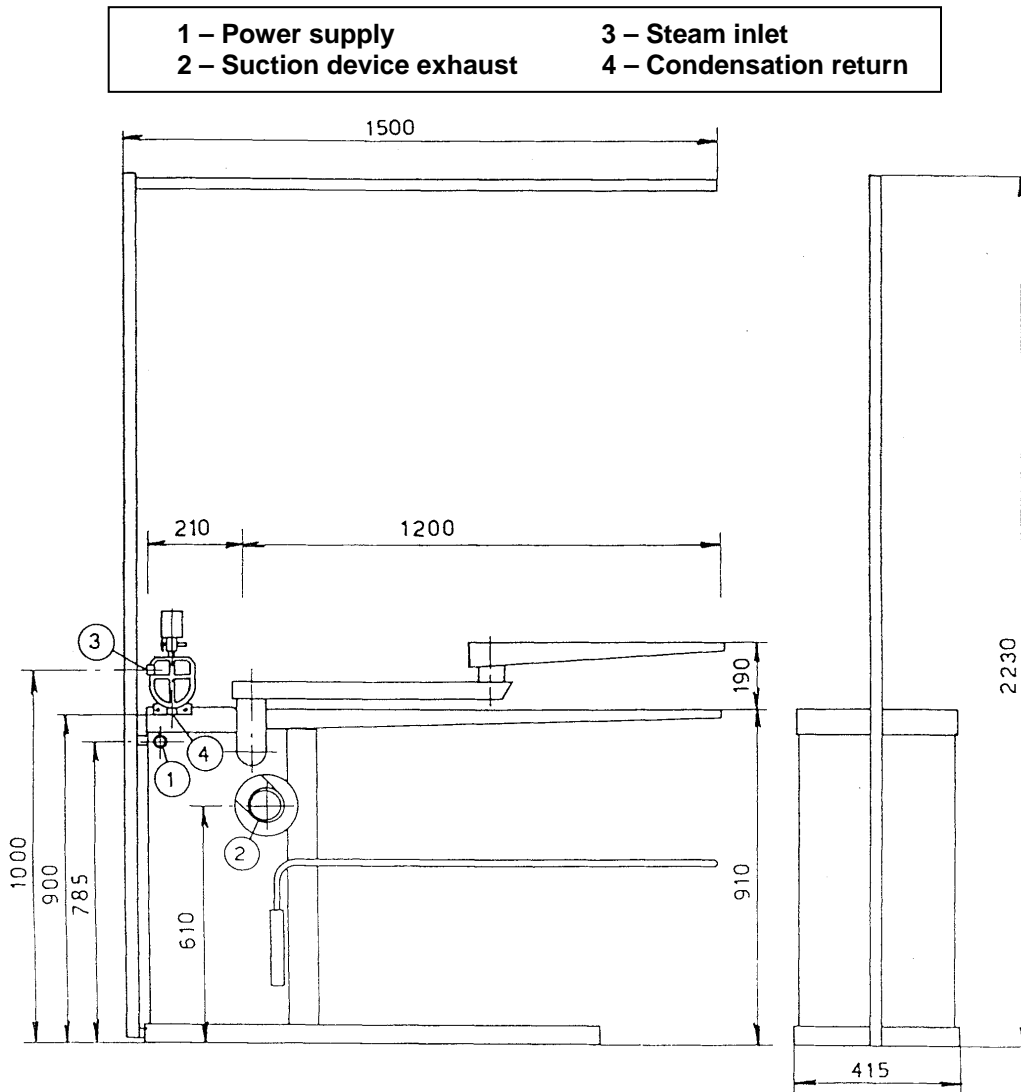
The checking lists are of two kinds:

- List of dangers (drawn from EN 1050 referring to EN 292)
- Application of the main safety features (Machine Directive– appendix. 1, part 1)

**The dangers described in the following have not been completely removed, but they have been deemed to be acceptable:**

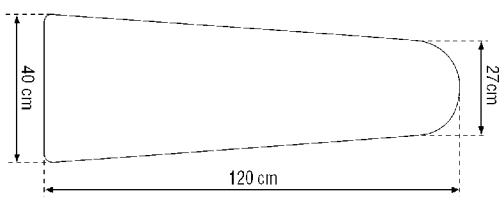
- During the maintenance operation there could be some steam jets at low pressure, (maintenance operation must therefore be carried out by using suitable protection devices).
- The user must provide for a protection against direct and indirect contacts.

## 11 OVERALL DIMENSIONS AND DRAWINGS

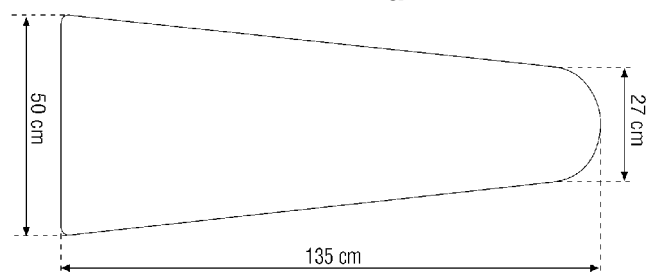


### BOARD TYPES

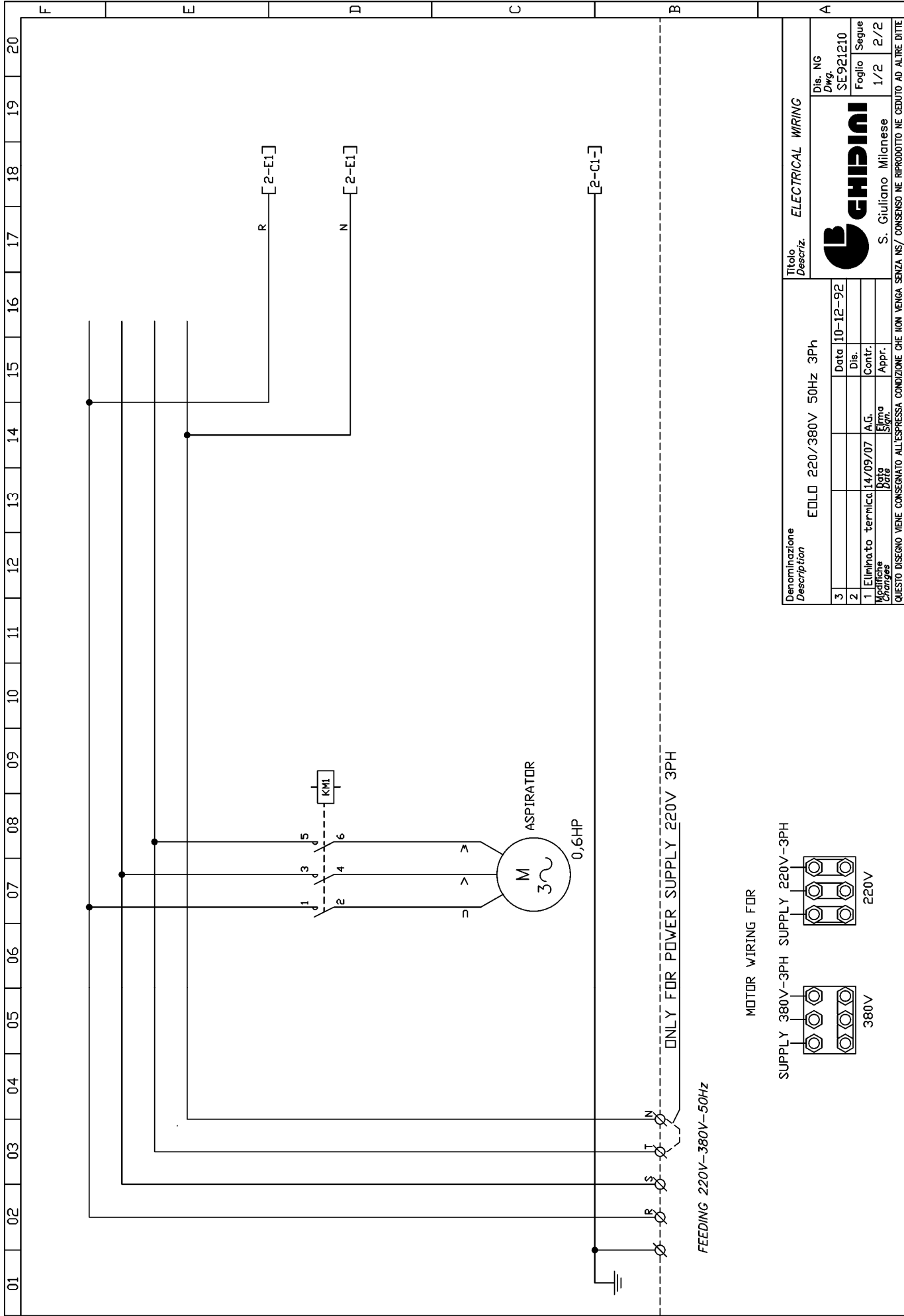
#### Standard



#### Maxi



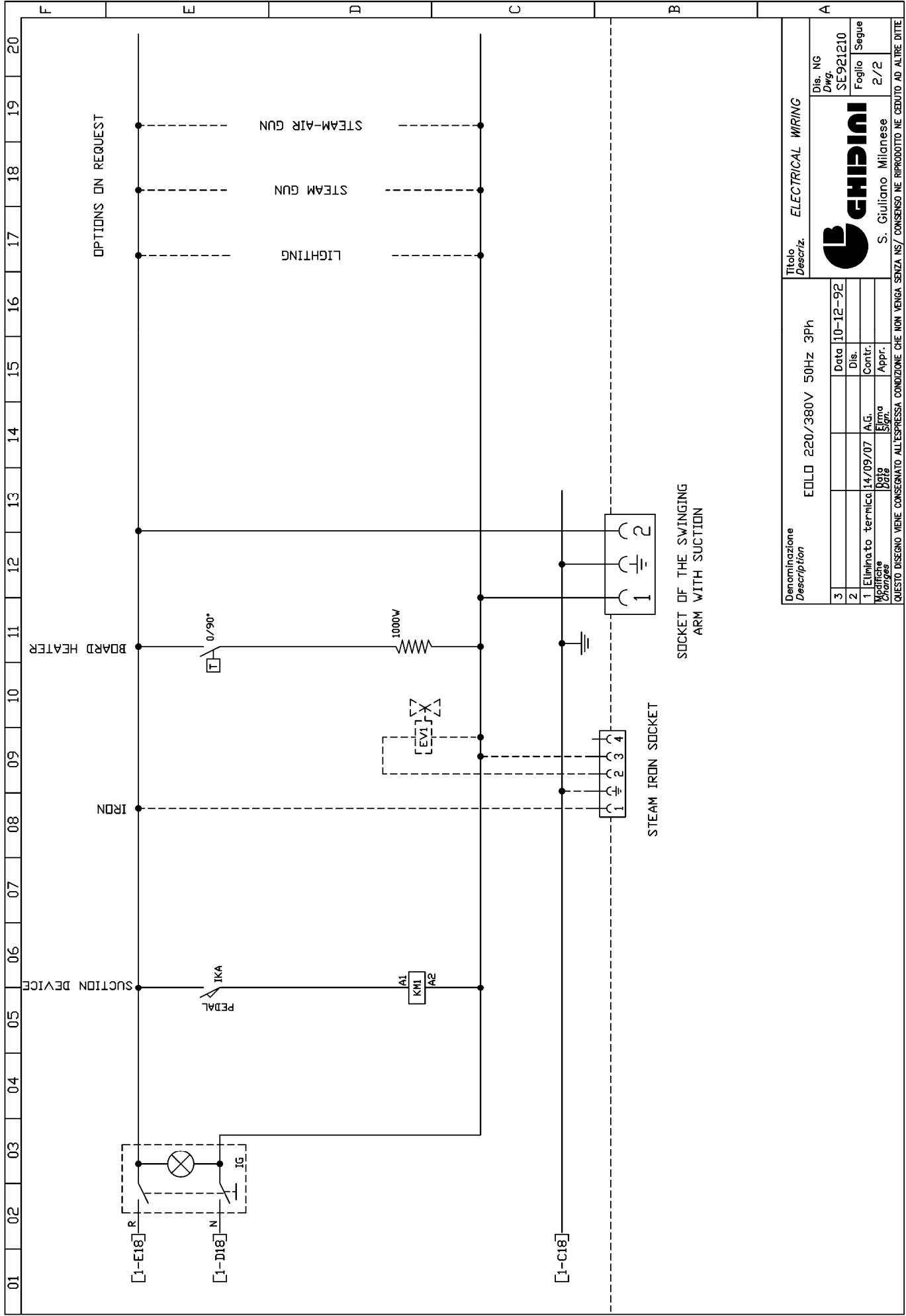




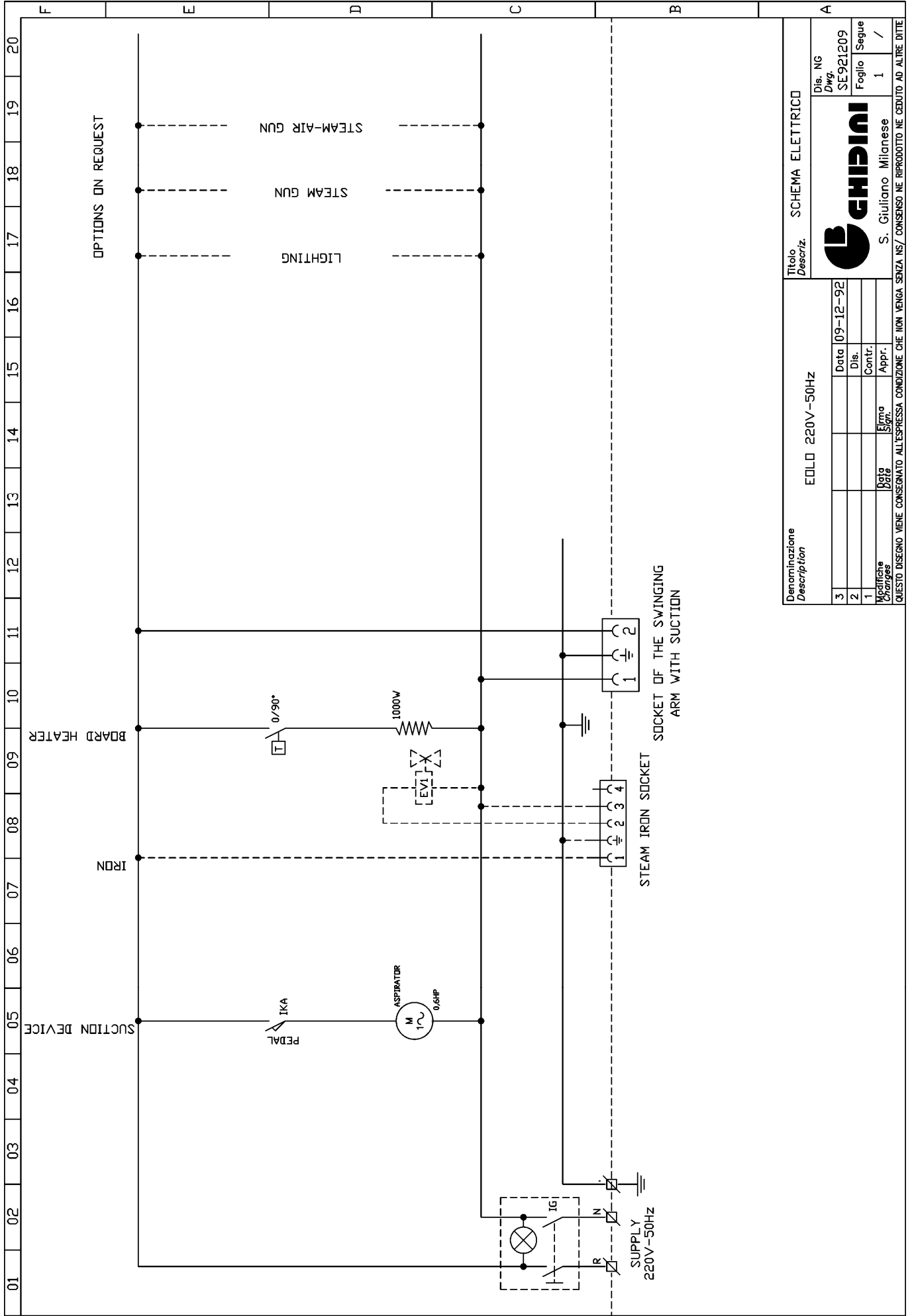
Denominazione Description		EDLD 220/380V 50Hz 3Ph	
TITOLO Description		ELECTRICAL WIRING	
3	Data	10-12-92	Dis. NG
2	Dis.		SE921210
1	Eliminato termico	14/09/07	Foglio
Modifiche	Agg.		1/2
Changes	Signa		2/2
	Appr.		

QUESTO DISEGNO VIENE CONSEGNATO ALL'ESPRESSIONE CONDIZIONE CHE NON VENGA SENZA NS/ CONSENSO NE RIPRODOTTO NE CEDUTO AD ALTRE DITTE

**GHIPINI**  
S. Giuliano Milanese



Denominazione Description		EOLD 220/380V 50Hz 3Ph		TITOLO Description		ELECTRICAL WIRING	
3		Data	10-12-92	Dis. NG	SE921210		
2		Dis.		Foglio	2/2		
1	Eliminato termica	14/09/07	A.G.	Contr.			
Modifiche Changes		Data	Signa	Appr.			
					S. Giuliano Milanese		
					Disegnato da S. Giuliano Milanese		



Denominazione Description		EOLD 220V-50Hz		Titolo Descriz.		SCHEMA ELETTRICO	
3	Data	09-12-92	Dis. NG	Dis. NG			
2	Dis.		SE921209	Dwg.			
1	Contr.		Foglio	1			
Modifiche Changes		Data	Firma	Segue			
			Appr.	/			
QUESTO DISEGNO VIENE CONSEGNATO ALL'ESPRESSA CONDIZIONE CHE NON VENGA SENZA NS/ CONSENSO NE RIPRODOTTO NE CEDUTO AD ALTRE DITTE							
				S. Giuliano Milanese			
				<b>GHIPINI</b>			

## 12 MAINTENANCE PROCEDURES

---

In case of irregularities or malfunctioning, please contact the service technician for the relevant checks.

**Periodically, it is necessary to carry out the following operations:**

OPERATION	Working hours
Cleaning of the condensation return filter	500

This machine does not require special equipment for check and/or maintenance operations. It is however advisable to use suitable tools and personal protections in compliance with the Italian law by decree 626/94, which have to be in good conditions (Presidential Decree 547/55), in order to avoid any damages to persons or machine components.

**Make sure that the power supply is disconnected prior to any maintenance service and that the whole equipment is cooled down.**

## 13 DISPOSAL

---

During the maintenance on the machine, or in case of its scrapping, please dispose carefully and correctly of any polluting components, according to the local regulations. In case of scrapping, the identification rating plate and any other document have to be destroyed.

## 14 HOW TO ORDER SPARE PARTS

---

Upon the spare parts request, please quote always:

Machine type, serial number, quantity of the requested spare parts, article number (these data can be read on the rating plate or supplied by the technical information of the machine and by the user's and maintenance manual).

For electrical components with a different voltage and frequency than V 230-380 50Hz (data available on the rating plate of the faulty component), specify the right voltage and frequency after having mentioned the article number.

The technical data, the descriptions and pictures included in this manual are not binding.

The manufacturer reserves the right to make any necessary modification without notice or having to up-date the present manual.

## 15 HANDLING AND TRANSPORT

---

Before its shipment, the machine is carefully packed in a carton box. During the shipment and storing of the machine, pay particular attention to the upside indication on the packaging. Upon receipt, please check that the packing is intact and store the machine in a dry place.

## 16 WARRANTY

---

All Ghidini products are guaranteed for a maximum period of 12 months from delivery date as far as material and construction defects are concerned.

**The warranty is extended as follows:**

In case of malfunction of the equipment, please contact your Ghidini reseller, specifying the noticed defect, type, serial number and furthermore the operating conditions of the machine. After having received the equipment or component and after an accurate analysis, Ghidini reserves the right to repair or to replace the product. If the machine is still under guarantee, the Ghidini reseller will carry out the service or replacement at Ghidini's charge. In case the returned goods are not defective, Ghidini reserve the right to charge the customer with the met expenses (shipment, etc.). The present warranty will be declared void, if the machine has been damaged due to improper use, negligence, normal wear, chemical corrosion, installation not according to the provided instructions and to the manufacturer's warnings.

Any modification, tampering and alteration on the machine or its components, carried out without prior written authorization by Ghidini, relieve the latter of any responsibility and annul any warranty obligation. The components subject to normal wear and the perishable ones are not under warranty, as well as everything, which has not been previously explicitly indicated, or damages or expenses arising from defects of the same product.

The validity conditions of the guarantee provided by Ghidini are considered implicitly accepted upon purchase of the machine. Any possible changes to or derogations from the present guarantee are only valid prior written authorization by Ghidini.

# 17 CONFORMITY DECLARATION

---

**The Manufacturer :**

GHIDINI  
Company

Via Tolstoj, 24 – 20098 S. Giuliano Milanese (MI)  
Address

+39 -02 -98.24.06.00  
Phone number

**Declares that:**

**The machine:**

Ironing table – EOLO

- \* has been designed in compliance with the DIRECTIVES OF THE EUROPEAN COMMUNITY COUNCIL referring to machines (98/37/EC) and to low voltage (LVD 73/23/EEC).
- \* has been designed, as far as enforceable, in compliance with the following harmonized regulations and technical specifications: EN 292-1/2, EN 1050, EN 982, EN 11200, EN 60947, EN 894-1/2.

---

**Managing director**  
**Product manager**

Roland Fleischmann  
**Name**

GHIDINI S.R.L.  
**Company**



September 2007  
**Date**

**Signature**

