

# Spare Parts List

# GARUDAN<sup>®</sup>

## GS-1800 Serie



ANITA B, s.r.o.

Hliníky 2068

680 01 Boskovice

Czech Republic

tel: +420 516454774, 516453496

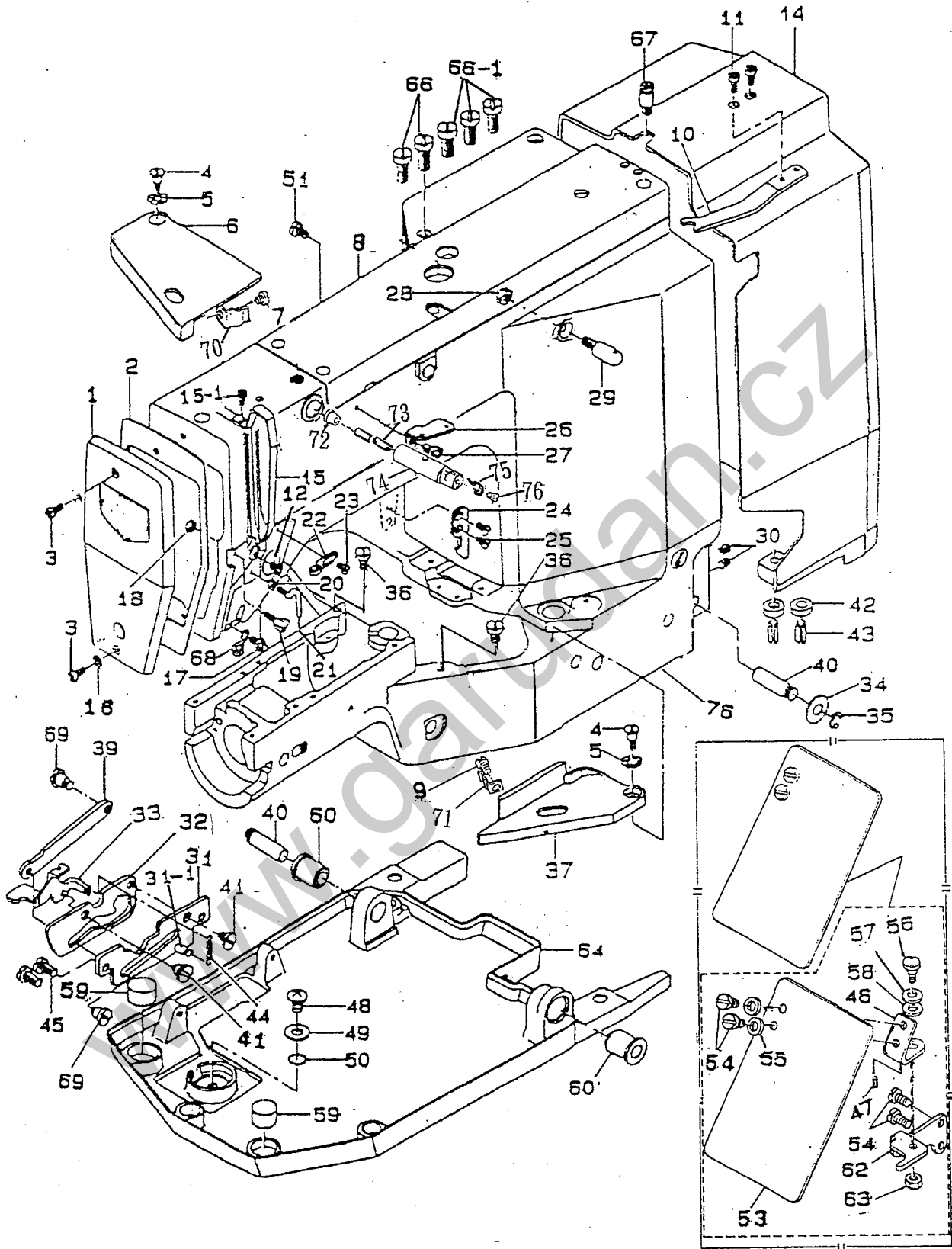
fax: +420 516452751

e-mail: [info@anita.cz](mailto:info@anita.cz)

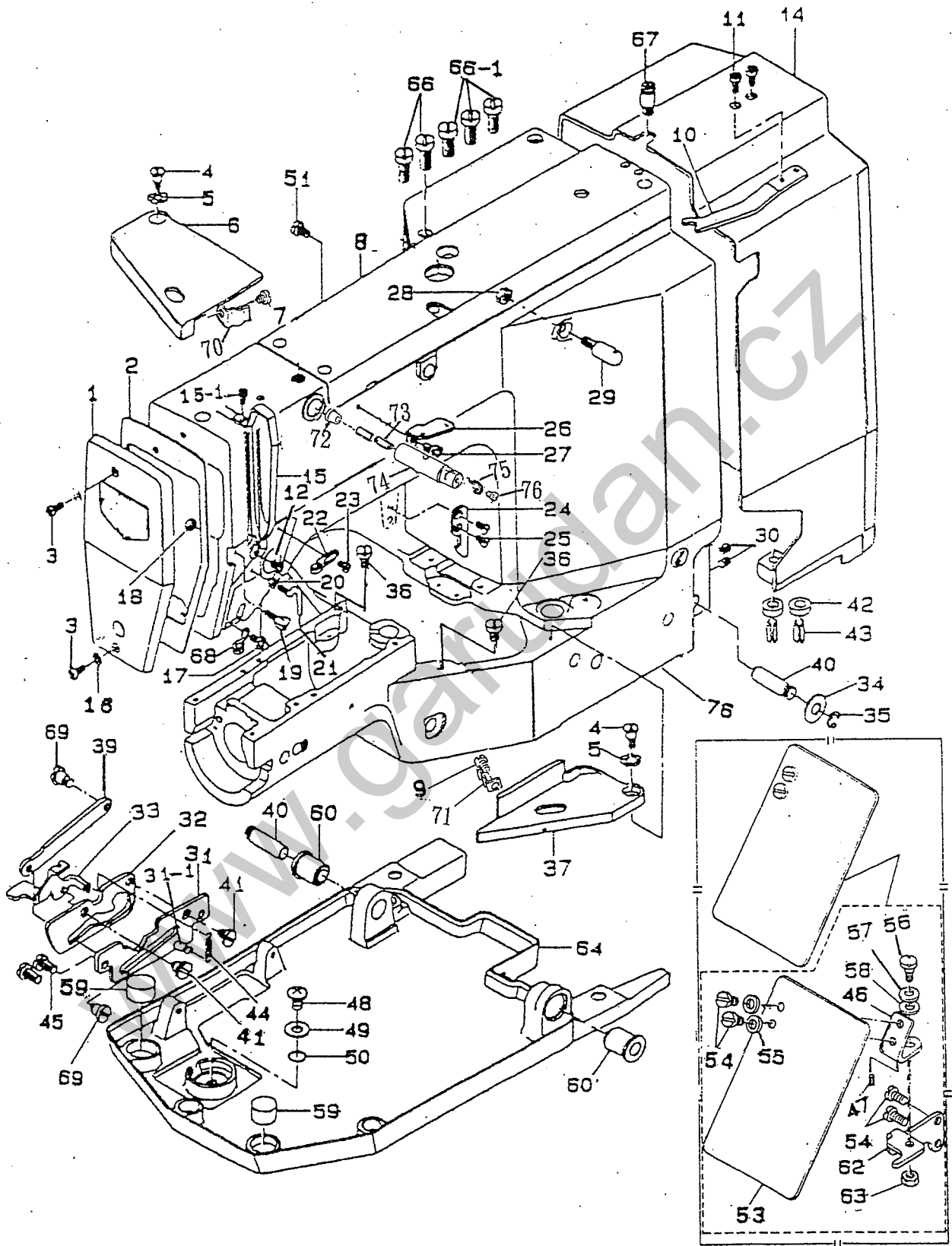
[www.garudan.cz](http://www.garudan.cz)

## CONTENTS

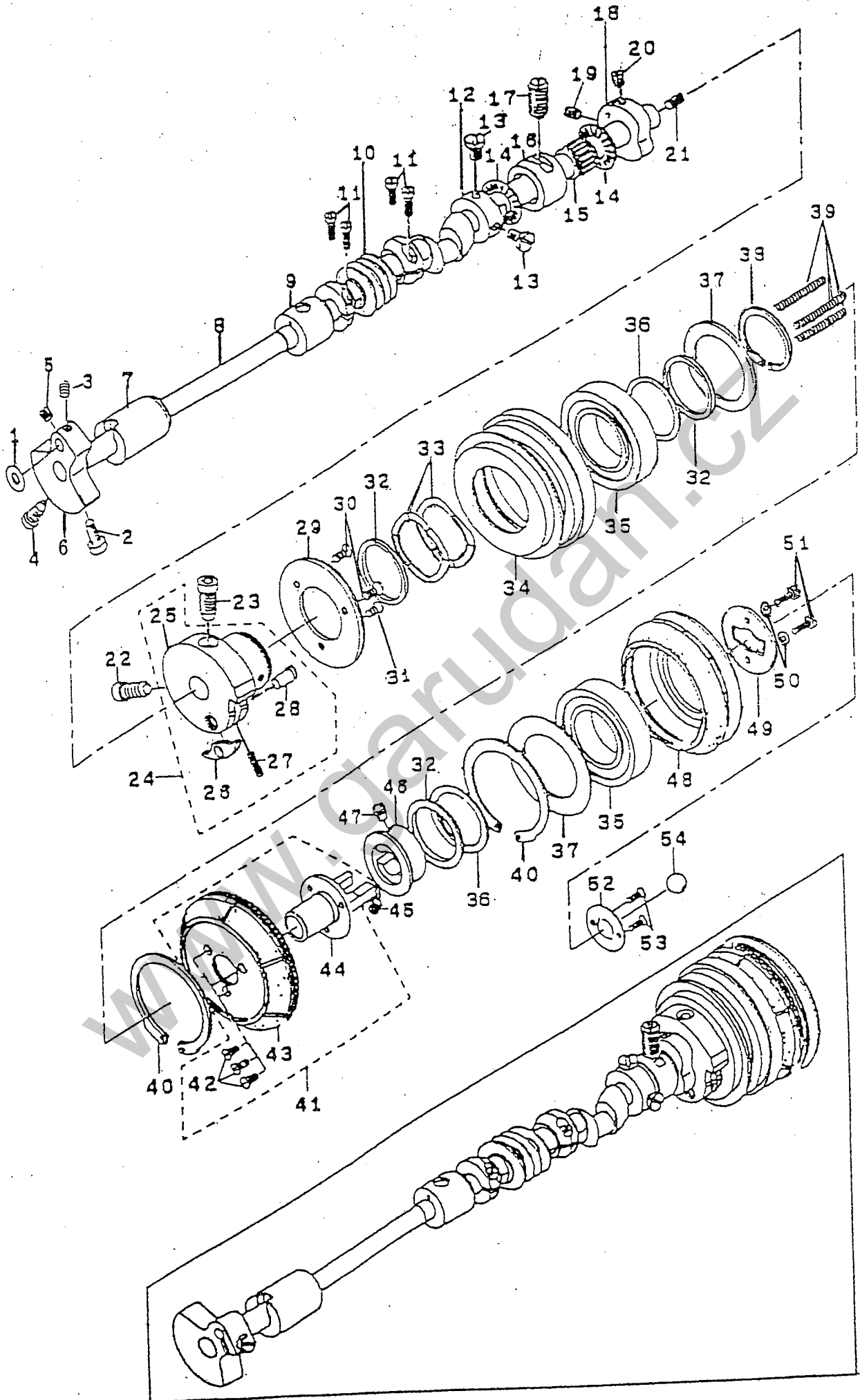
- 1 .A1- FRAME & MISCELLANEOUS COVER COMPONENTS .
- 2 .A2- MAIN SHAFT COMPONENTS .
- 3 .A3- NEEDLE BAR COMPONENTS .
- 4 .A4- THREAD TENSION RELEASE COMPONENTS .
- 5 .A5- SHUTTLE DRIVER SHAFT COMPONENTS .
- 6 .A6- FEED MECHANISM COMPONENTS .
- 7 .A7- THREAD TRIMMING COMPONENTS .
- 8 .A8- PEDAL PRESSURE DECREASING UNIT COMPONENTS .
- 9 .A9- STOP-MOTION MECHANISM COMPONENTS .
- 1 0 .A10- LUBRICATION MECHANISM COMPONENTS .
- 1 1 .A11- ACCESSORIES .



REF. NO.	DESCRIPTION	Q'TY
A 1 - 01	FACE PLATE ASM	
A 1 - 02	FACE PACKING	
A 1 - 03 F	SCREW 11/64*40	2
A 1 - 04 F	HINGE SCREW	2
A 1 - 05	WAVED WASHER 6.4*11*0.3	2
A 1 - 06	BED COVER B	
A 1 - 07 F	SCREW 11/64*40	
A 1 - 08	TOP COVER	
A 1 - 09 F	SCREW 9/64*40	
A 1 - 10	BELT COVER FIXING PLATE	
A 1 - 11 F	SCREW 11/64*40	2
A 1 - 12 F	SCREW 9/64*40	2
A 1 - 14	BELT COVER	
A 1 - 15	THREAD TAKE-UP LEVER OIL GAURD	
A 1 - 15-1 F	SCREW 9/64*40	
A 1 - 17 F	SCREW 11/64*40	
A 1 - 18 H	NUT 9/64*40	
A 1 - 19	THREAD GUIDE	
A 1 - 20 H	NUT 9/64*40	
A 1 - 21	L-SHAPED THREAD GUIDE A	
A 1 - 22	ARM THREAD GUIDE A	
A 1 - 23 F	SCREW 9/64*40	
A 1 - 24	BED FITTING HOOK	
A 1 - 25 F	SCREW 11/64*40	2
A 1 - 26	THREAD GUIDE PLATE	
A 1 - 27 F	SCREW 15/64*28	
A 1 - 28 H	NUT 15/64*28	
A 1 - 29 F	FIRST THREAD GUIDE 15/64*28	
A 1 - 30 F	SCREW 15/64*28	2
A 1 - 31	STAY GUIDE ASM	
A 1 - 31-1	PIN	
A 1 - 32	DTAY ROCKER	
A 1 - 33	BED ROCKER	1
A 1 - 34	WASHER 18*10.5*2	
A 1 - 35	E-RING	
A 1 - 36 F	SCREW 15/64*28	2
A 1 - 37	BED COVER A	

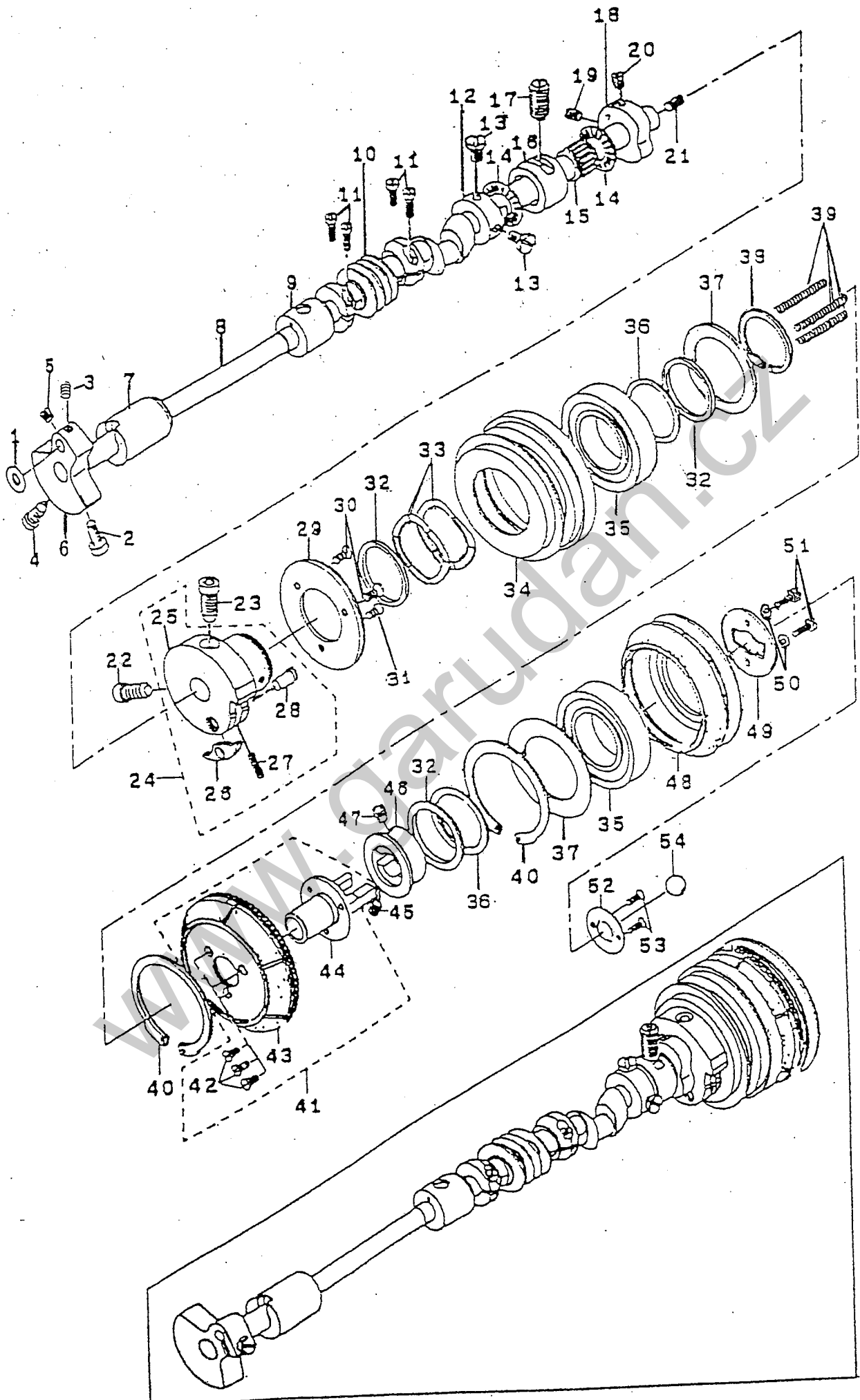


REF. NO.	DESCRIPTION	Q'TY
A1 - 39	STAY	
A1 - 40	BASE CONNVTING PIN	2
A1 - 41 F	HINGE SCREW	2
A1 - 42	RUBBER WASHER	2
A1 - 43	SPRING PIN 8*20	2
A1 - 44	THREADD TENSION SPRING	
A1 - 45 F	SCREW 15/64*28	2
A1 - 46	SAFETY PLATE INSTALLING PLATE	
A1 - 47	STOPPER PIN 2*5	
A1 - 48 F	SCREW 3/8*28	
A1 - 49	WASHER 19*14*2	
A1 - 50	RUBBER RING	
A1 - 51 F	SCREW 11/64*40	
A1 - 53	SAFETY PLATE	1
A1 - 54 F	SCREW 11/64*40	4
A1 - 55	WASHER 10*4.5*0.8	2
A1 - 56 F	HINGE SCREW 3/16*32	
A1 - 57	DISK SPRING	
A1 - 58	WASHER 12.8*6.2*0.8	
A1 - 59	VIBRATION-PROOF RUBBER	2
A1 - 60	RUBBER BUSH	2
A1 - 62	SAFETY PLATE MOUNTING BASE	
A1 - 63 H	NUT 3/16*32	
A1 - 64	BED FITTING BASE	
A1 - 66 F	SCREW 15/64*28	2
A1 - 66-1 F	SCREW 15/64*28	3
A1 - 67 F	SPRING RACK	
A1 - 68	ARM THREAD GUIDE B	
A1 - 69 F	HINGE SCREW 1/4*40	2
A1 - 70	BED COVER B SPRING	
A1 - 71	BED COVER A SPRING	
A1 - 72	RUBBER PLUG	
A1 - 73	SILICON OIL FELT	2
A1 - 74	SILICON OIL PIPE 1/4*40	
A1 - 75	SILICON OIL THREAD GUIDE	
A1 - 76 F	SCREW 1/4*40	

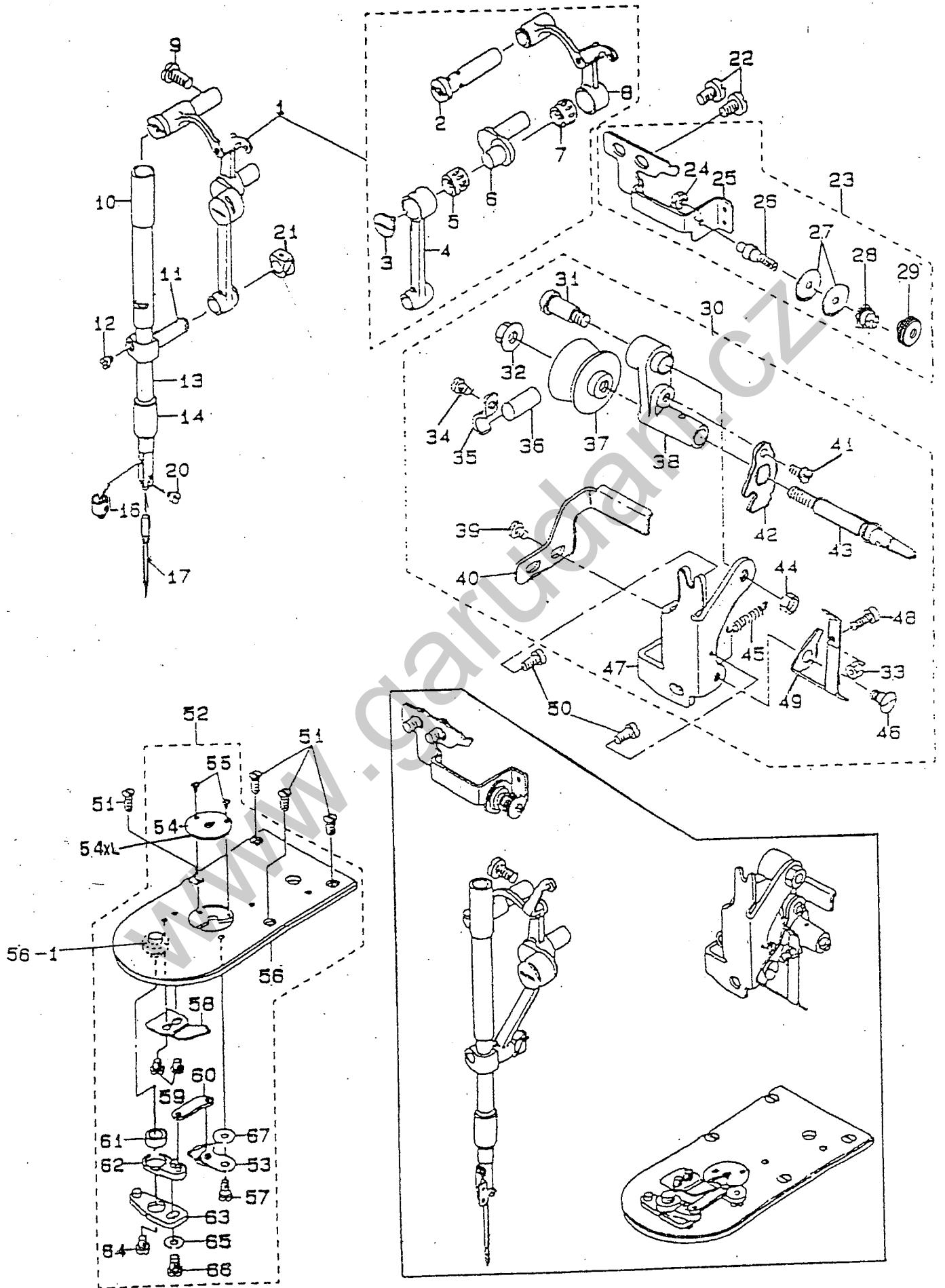




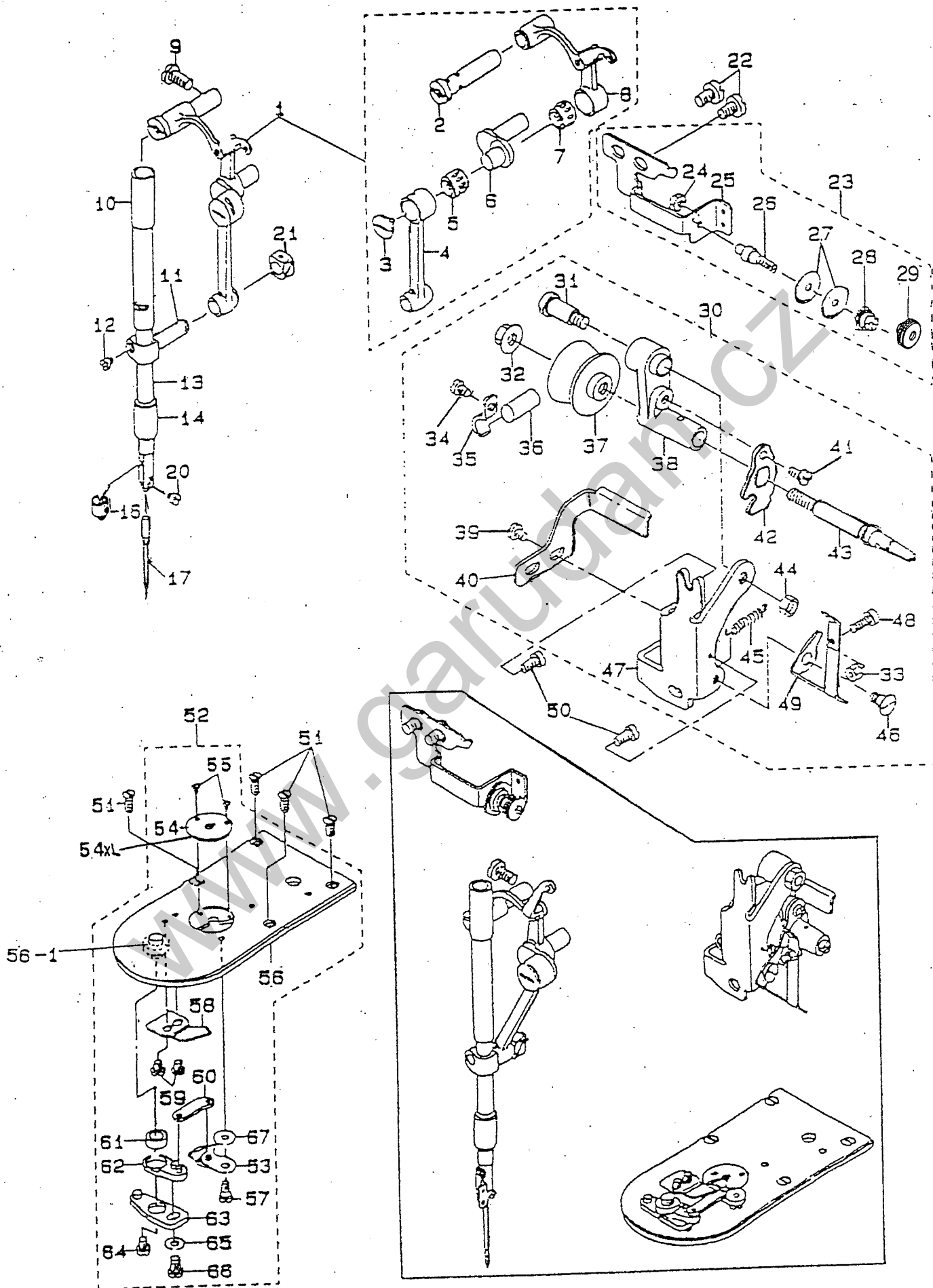
REF. NO.	DESCRIPTION	Q'TY
A 2 - 01	NEEDLE ROD CRANK WASHER 16*8*1	
A 2 - 02 F	SCREW 15/64*28	
A 2 - 03 F	SCREW 1/4*40	
A 2 - 04 F	SCREW 9/32*28	
A 2 - 05 F	SCREW 1/4*40	
A 2 - 06	COUNTER WEIGHT	
A 2 - 07	UPPER SHAFT FRONT METAL	
A 2 - 08	MAIN SHAFT	
A 2 - 09	UPPER SHAFT INNER METAL	
A 2 - 10	WORM ASM	
A 2 - 11 F	SCREW 11/64*40	4
A 2 - 12	THRUST COLLAR ASM	
A 2 - 13 F	SCREW 1/4*40	2
A 2 - 14	UPPER SHAFT THRUST BEARING	2
A 2 - 15	MAIN SHAFT NEEDLE BEARING B	
A 2 - 16	UPPER SHAFT REAR METAL	
A 2 - 17 F	SET SCREW 7/16*28	
A 2 - 18	THREAD CUTTING CUM ASM	
A 2 - 19 F	SCREW 1/4*40	
A 2 - 20 F	SCREW 1/4*28	
A 2 - 21 F	SCREW 15/64*28	
A 2 - 22 F	SCREW 3/8*28	
A 2 - 23 F	SCREW 3/8*28	
A 2 - 24	-----	
A 2 - 25	STOP-MOTION CAM	
A 2 - 26	STOP MOTION CAM LATCH	
A 2 - 27	SAFETY PLATE STOPPER SPRING	



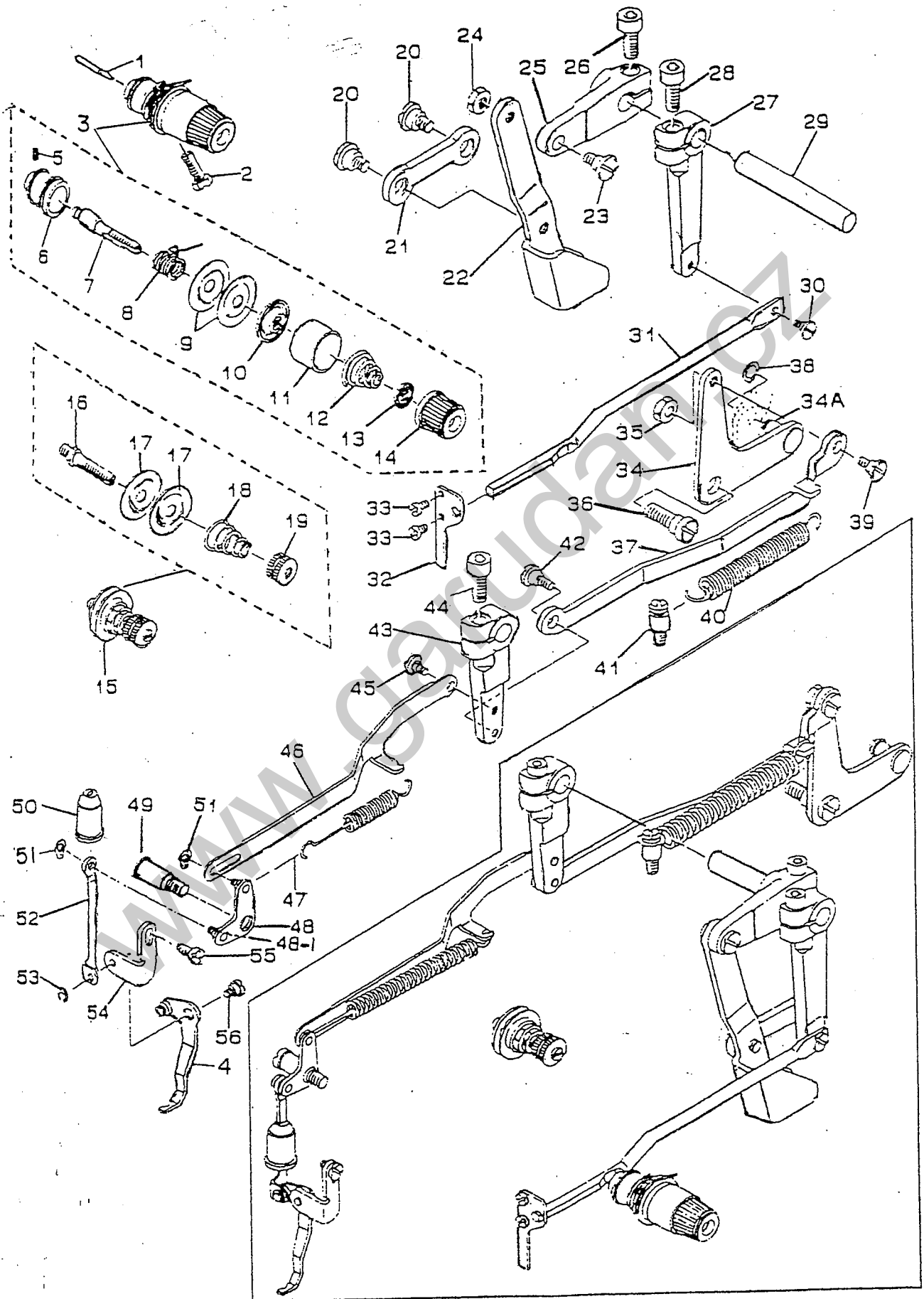
REF. NO.	DESCRIPTION	Q'TY
A 2 - 2 8	PIN	
A 2 - 2 9	HIGH SPEED CLUTCH PLATE ASM	
A 2 - 3 0 F	SCREW 11/64*40	2
A 2 - 3 1 F	SCREW 11/64*40	
A 2 - 3 2	SPACER 41.3*35*0.15	3
A 2 - 3 3	SPRING	2
A 2 - 3 4	HIGH SPEED PULLEY	
A 2 - 3 5	BEARING	2
A 2 - 3 6	SHIM 41.2*35*2	6
A 2 - 3 7	WASHER 61.8*43*1.8	2
A 2 - 3 8	RETAINING RING 32.2	
A 2 - 3 9	SLOW SPEED PULLEY SPRING	3
A 2 - 4 0	RETAINING RING 66.2	2
A 2 - 4 1	-----	
A 2 - 4 2 F	SCREW 11/64*40	3
A 2 - 4 3	PULLEY	
A 2 - 4 4	PULLEY SHAFT	
A 2 - 4 5 F	SCREW 1/4*40	
A 2 - 4 6	SLOW SPEED PULLEY SHAFT	
A 2 - 4 7 F	SCREW 1/4*40	
A 2 - 4 8	SLOW SPEED PULLEY	
A 2 - 4 9	SLOW SPEED PULLEY PLATE	
A 2 - 5 0	SPRING WASHER 8.5*4.5*1	2
A 2 - 5 1 F	SCREW 11/64*40	2
A 2 - 5 2	BALL RETAINER	
A 2 - 5 3 F	SCREW 9/64*40	2
A 2 - 5 4	STOP-MOTION BALL	



REF. NO.	DESCRIPTION	Q'TY
A 3 - 01	LINK BALANCE ASM	
A 3 - 02	BALANCE CRANK PIN	
A 3 - 03 F	LEFT SCREW 9/64*40	
A 3 - 04	NEEDLE BAR CRANK ROD	
A 3 - 05	NEEDLE DRIVING LEVER BEARING C	
A 3 - 06	NEEDLE ROD CRANK	
A 3 - 07	NEEDLE BEARING	
A 3 - 08	BALANCE ASM	
A 3 - 09 F	SCREW 15/64*28	
A 3 - 10	NEEDLE ROD METAL	
A 3 - 11	NEEDLE ROD HOLDER ASM	
A 3 - 12 F	SCREW 9/64*40	
A 3 - 13	NEEDLE BAR	
A 3 - 13-1	NEEDLE BAR	
A 3 - 14	NEEDLE ROD LOWER METAL	
A 3 - 16	NEEDLE BAR THREAD GUIDE	
A 3 - 17	NEEDLE	
A 3 - 20 F	SCREW 1/8*44	
A 3 - 21	SQUARE BLOCK	
A 3 - 22 F	SCREW 15/64*28	2
A 3 - 23	-----	
A 3 - 24 H	NUT 11/64*40	
A 3 - 25	THREAD GUIDE BRACKET	
A 3 - 26	BOBBIN WINDER TENSION POST	
A 3 - 27	BOBBIN WINDER TENSION DISC	2
A 3 - 28	BOBBIN WINDER TENSION SPRING	
A 3 - 29	NUT	
A 3 - 30	-----	
A 3 - 31	HINGE SCREW 15/64*28	
A 3 - 32 H	NUT	
A 3 - 33 H	NUT 11/64*40	
A 3 - 34 F	SCREW 11/64*40	
A 3 - 35	BOBBIN WINDER BRAKE PRESSURE P	
A 3 - 36	BOBBIN WINDER BRAKE	
A 3 - 37	BOBBIN WINDER WHEEL	
A 3 - 38	BOBBIN WINDER SPINDLE BUSHING	
A 3 - 39 F	SCREW 11/64*40	

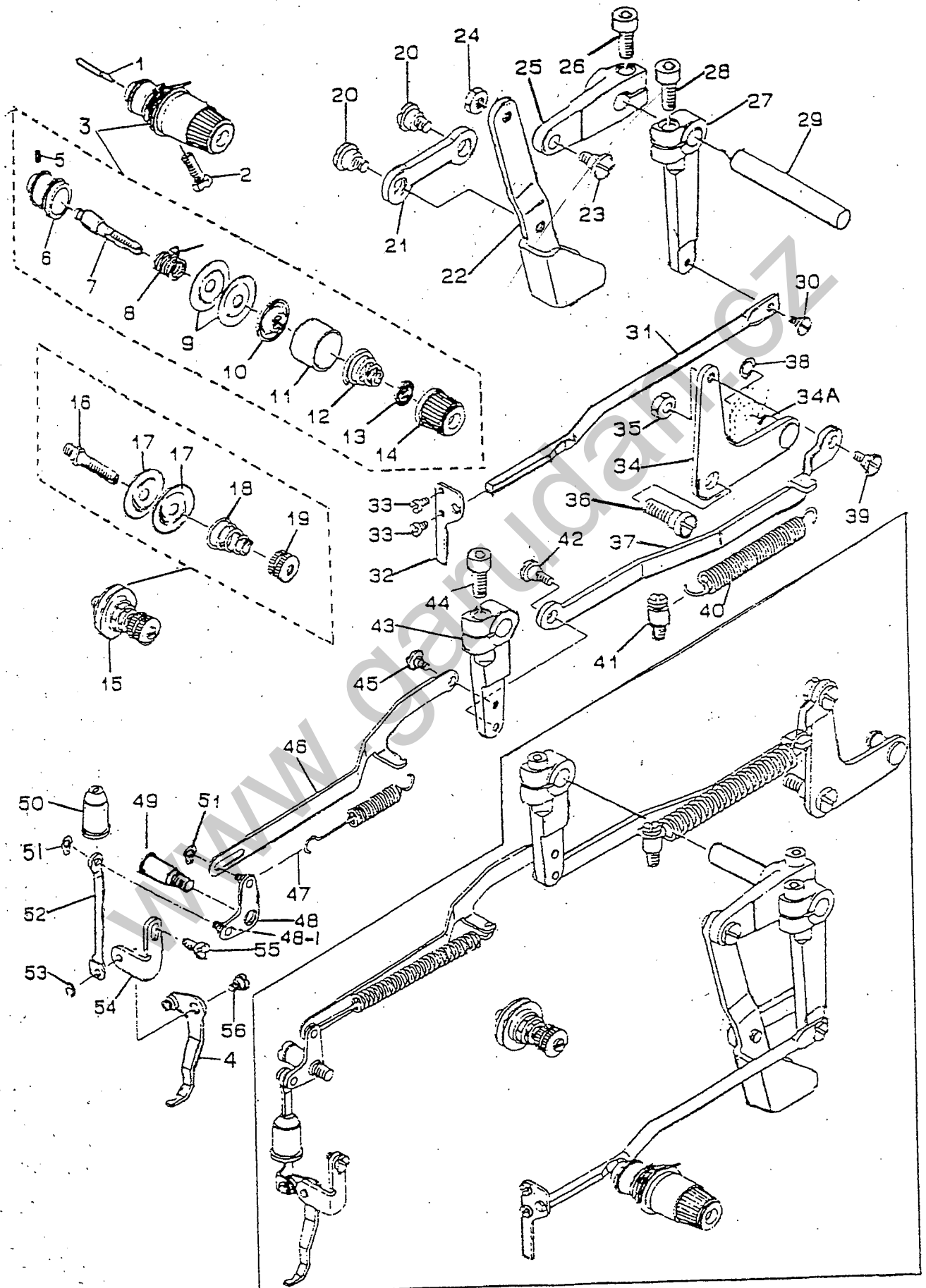


REF. NO.	DESCRIPTION	Q'TY
A 3 - 40	BOBBIN WINDER BELT SUPPORT	
A 3 - 41 F	SCREW 11/64*40	
A 3 - 42	BOBBIN WINDER TRIP LATCH	
A 3 - 43	BOBBIN WINDER SHAFT	
A 3 - 44 H	NUT 15/64*28	
A 3 - 45	SPRING	
A 3 - 46 F	HINGE SCREW	
A 3 - 47	BOBBIN WINDER BASE	
A 3 - 48 F	BOBBIN WINDER ADJUSTING SCREW	
A 3 - 49	BOBBIN WINDER TRIP LATCH	
A 3 - 50 F	SCREW 11/64*40	2
A 3 - 51 F	SCREW 11/64*40	4
A 3 - 52	-----	
A 3 - 53	MOVING KNIFE ASM.	
A 3 - 54	NEEDLE HOLE GUID	
A 3 - 54 XL	NEEDLE HOLE GUID (G)	
A 3 - 55 F	SCREW 3/32*56	2
A 3 - 56	NEEDLE PLATE ASM.	
A 3 - 56-1 F	SCREW 1/4*40	
A 3 - 57 F	HINGE SCREW 9/64*40	
A 3 - 58	FIXING KNIFE	
A 3 - 59 F	SCREW 9/64*40	2
A 3 - 60	MOVING KNIFE LINK	
A 3 - 61	THREAD CUTTING LEVER RING	
A 3 - 62	THREAD CUTTING LEVER SMALL	
A 3 - 62-1	PIN NR 3*6.5	
A 3 - 63	THREAD CUTTER LEVER ASM. ,LARG	
A 3 - 64 F	SCREW 11/64*40	
A 3 - 65	WASHER	
A 3 - 66 F	SCREW 11/64*40	
A 3 - 67	MOVING KNIFE WASHER C	

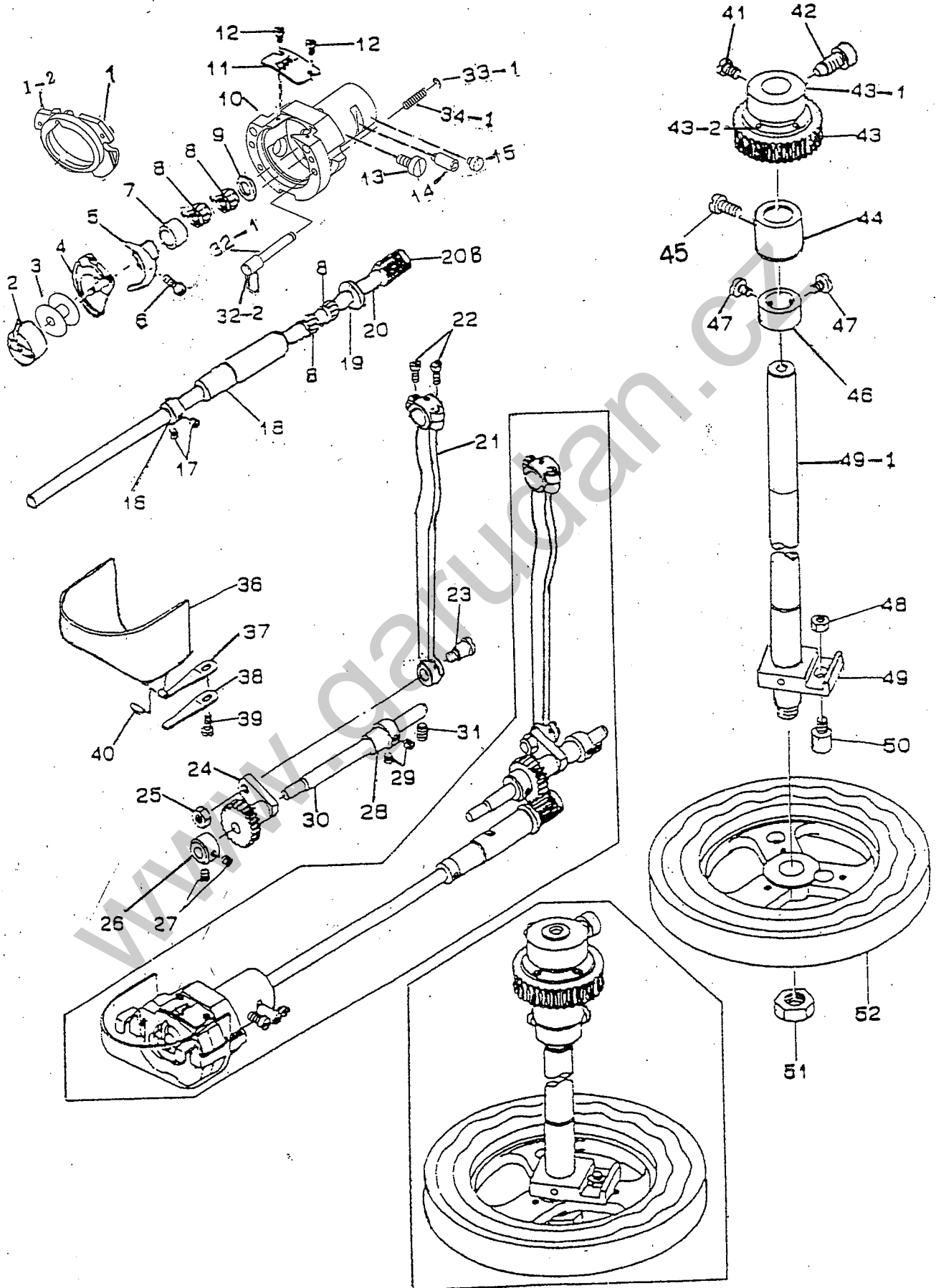




REF. NO.	DESCRIPTION	Q'TY
A 4 - 0 1	TENSION RELEASE PIN	
A 4 - 0 2 F	SCREW 15/64*28	
A 4 - 0 3	SECOND THREAD TENSION ASM.	
A 4 - 0 4	WIPER ASM.	
A 4 - 0 5 F	SCREW 9/64*40	
A 4 - 0 6	THREAD TENSION ROD, LARGE	
A 4 - 0 7	SECOND THREAD TENSION ROD	
A 4 - 0 8	THREAD TAKE-UP SPRING	
A 4 - 0 9	THREAD TENSION DISK	2
A 4 - 1 0	THREAD TENSION DISK PRESSER	
A 4 - 1 1	THREAD TENSION DISK PRESSER	
A 4 - 1 2	THREAD TENSION SPRING	
A 4 - 1 3	ROTATING STOPPER	
A 4 - 1 4	THREAD TENSION NUT	
A 4 - 1 5	FIRST THREAD TENSION ASM.	
A 4 - 1 6	THREAD TENSION ROD	
A 4 - 1 7	THREAD TENSION DISK	2
A 4 - 1 8	FIRST THREAD TENSION SPRING	
A 4 - 1 9	THREAD TENSION NUT	
A 4 - 2 0 F	HINGE SCREW 15/64*28	2
A 4 - 2 1	CONNECTING LINK	
A 4 - 2 2	LOWERING FOOT	
A 4 - 2 3 F	HINGE SCREW 15/64*28	
A 4 - 2 4 H	NUT 15/64*28	
A 4 - 2 5	LOWERING ARM	
A 4 - 2 6 F	SCREW 15/64*28	
A 4 - 2 7	TENSION RELEASE ARM	
A 4 - 2 8 F	SCREW 15/64*28	
A 4 - 2 9	SHAFT	

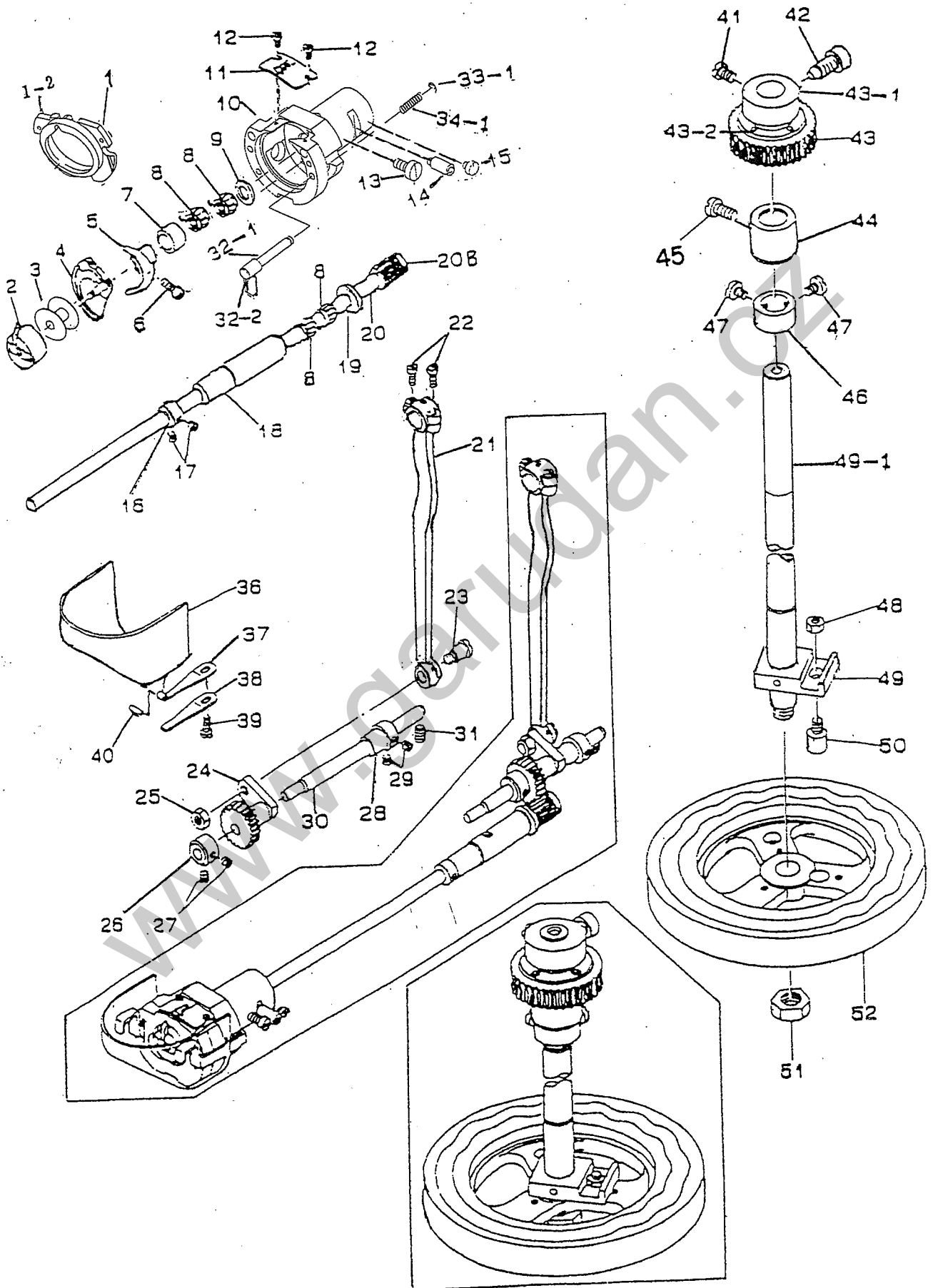


REF. NO.	DESCRIPTION	Q' TY
A 4 - 3 0 F	HINGE SCREW 11/64*40	
A 4 - 3 1	TENSION RELEASE BAR	
A 4 - 3 2	THREAD TENSION ARM	
A 4 - 3 3 F	SCREW 9/64*40	2
A 4 - 3 4	LOWERING CONNECTING LEVER ASM.	
A 4 - 3 4 A	PIN	
A 4 - 3 5 H	NUT 15/64*28	
A 4 - 3 6 F	HINGE SCREW 9/32*28	
A 4 - 3 7	LOWERING CONNECTING RING	
A 4 - 3 8	C - RING	
A 4 - 3 9 F	HINGE SCREW 15/64*28	
A 4 - 4 0	TENSION SPRING	
A 4 - 4 1 F	SPRING PACK	
A 4 - 4 2 F	HINGE SCREW 3/16*28	
A 4 - 4 3	CONNECTING ARM	
A 4 - 4 4 F	SCREW 15/64*28	
A 4 - 4 5 F	HINGE SCREW 11/64*40	
A 4 - 4 6	WIPER CONNECTING LINK	
A 4 - 4 7	SPRING	
A 4 - 4 8	WIPER CONNECTING ARM ASM.	
A 4 - 4 8 - 1	PIN	
A 4 - 4 9 F	WIPER CONNECTING SCREW 1/4*40	
A 4 - 5 0	OIL SHIELD CAP	
A 4 - 5 1	RING	2
A 4 - 5 2	WIPER CONNECTING PLATE	
A 4 - 5 3	SNAP RING	
A 4 - 5 4	WIPER INSTALLING PLATE	
A 4 - 5 5 F	SCREW 11/64*40	
A 4 - 5 5 - 1	WASHER	
A 4 - 5 6 F	HINGE SCREW 3/16*28	

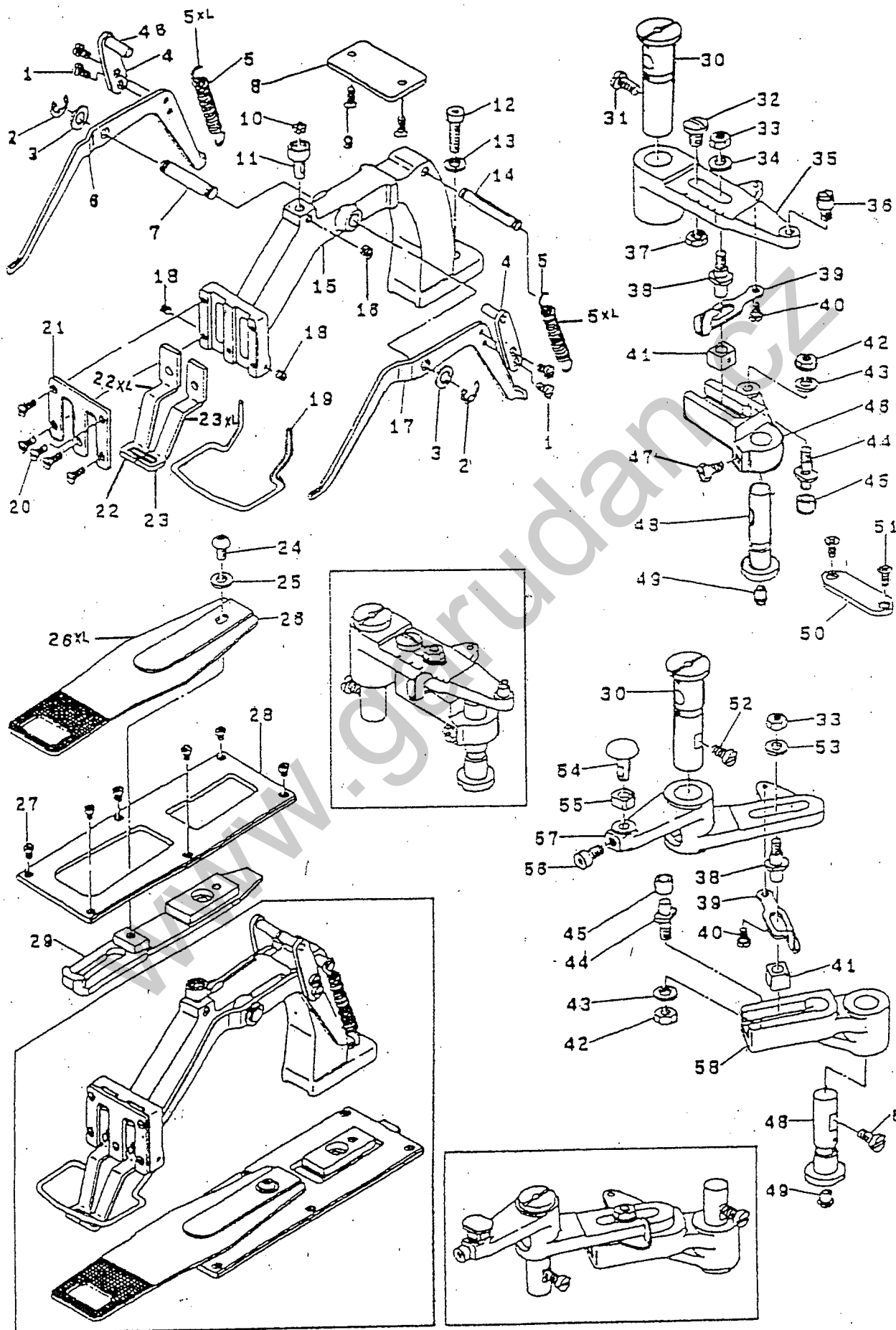


A5

REF. NO.	DESCRIPTION	Q'TY
A 5 - 0 1	INNER HOOK PRESSER ASM.	
A 5 - 1 - 2	PIN	2
A 5 - 0 2	BOBBIN CASE ASM.	
A 5 - 0 3	BOBBIN	
A 5 - 0 4	INNER HOOK	
A 5 - 0 5	DRIVER ASM.	
A 5 - 0 6 F	SCREW 3/16*28	
A 5 - 0 7	SHUTTLE NEEDLE OUTER RING	
A 5 - 0 8	NEEDLE DRIVING LEVER BEARING B	4
A 5 - 0 9	WASHER 14.8*9.5*2.6	
A 5 - 1 0	SHUTTLE	
A 5 - 1 1	SHUTTLE UPPER SPRING	
A 5 - 1 2 F	SCREW 3/32*56	2
A 5 - 1 3 F	SCREW 15/64*28	
A 5 - 1 4	SHUTTLE RACE ADJUSTING SHAFT	
A 5 - 1 5 F	SCREW 11/64*40	
A 5 - 1 6	THRUST COLLAR ASM.	
A 5 - 1 7 F	SCREW 11/64*40	2
A 5 - 1 7 - 1	SCREW	
A 5 - 1 8	LOWER SHAFT REAR METAL	
A 5 - 1 9	LOWER SHAFT THRUST WASHER	
A 5 - 2 0	LOWER SHAFT GEAR A ASM.	
A 5 - 2 0 B	SHAFT	
A 5 - 2 1	CRANK ROD ASM.	
A 5 - 2 2 F	SCREW 11/64*40	2
A 5 - 2 3 F	HINGE SCREW 1/4*40	
A 5 - 2 4	OSCILLATOR	
A 5 - 2 5 H	NUT 1/4*40	
A 5 - 2 6	THRUST COLLAR ASM.	

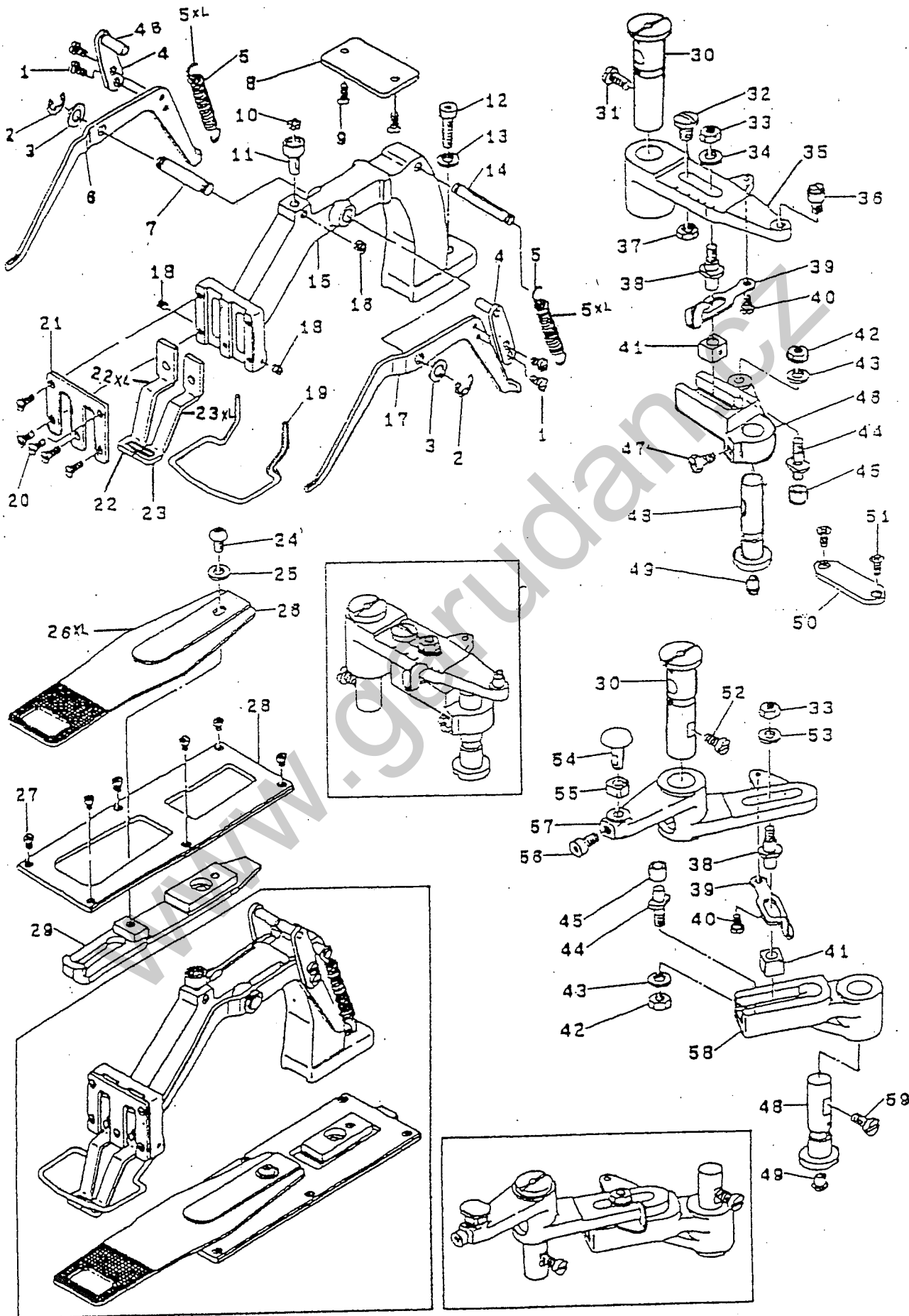


REF. NO.	DESCRIPTION	Q'TY
A 5 - 27 F	SCREW 11/64*40	
A 5 - 28	THRUST COLLAR ASM.	
A 5 - 29 F	SCREW 11/64*40	
A 5 - 30	OSCILLATING SHAFT	
A 5 - 31 F	SCREW 15/64*28	
A 5 - 32 - 1	INNER HOOK PRESSER, ASM.	2
A 5 - 32 - 2	INNER HOOK PRESSER, ASM.	2
A 5 - 33 - 1	E-RING 3	
A 5 - 34 - 1	INNER HOOK PRESSER, SPRING	
A 5 - 36	CYLINDER ARM CAP ASM.	
A 5 - 37	HOOK COVER PRESSER SPRING A	
A 5 - 38	HOOK COVER PRESSER SPRING B	
A 5 - 39 F	SCREW 11/64*40	
A 5 - 40	PIN	
A 5 - 41 F	SCREW 1/4*40	
A 5 - 42 F	SCREW 3/8*28	
A 5 - 43	WORM WHEEL ASM.	
A 5 - 43 - 1	THRUST COLLAR ASM.	
A 5 - 43 - 2 F	SCREW 3/16*28	4
A 5 - 44	WORM WHEEL SHAFT BUSHING	
A 5 - 45 F	SCREW 15/64*28	
A 5 - 46	THRUST COLLAR ASM.	
A 5 - 47 F	SCREW 1/4*40	2
A 5 - 48 H	NUT 1/4*40	
A 5 - 49	WORM WHEEL SHAFT ASM.	
A 5 - 49 - 1	WORM WHEEL SHAFT	
A 5 - 49 - 2	PIN	
A 5 - 49 - 3	NEEDLE ROD LOWER METAL	
A 5 - 50	CAM GUIDE PIN	
A 5 - 51 H	NUT 9/16*20	
A 5 - 52	FEED CAM	

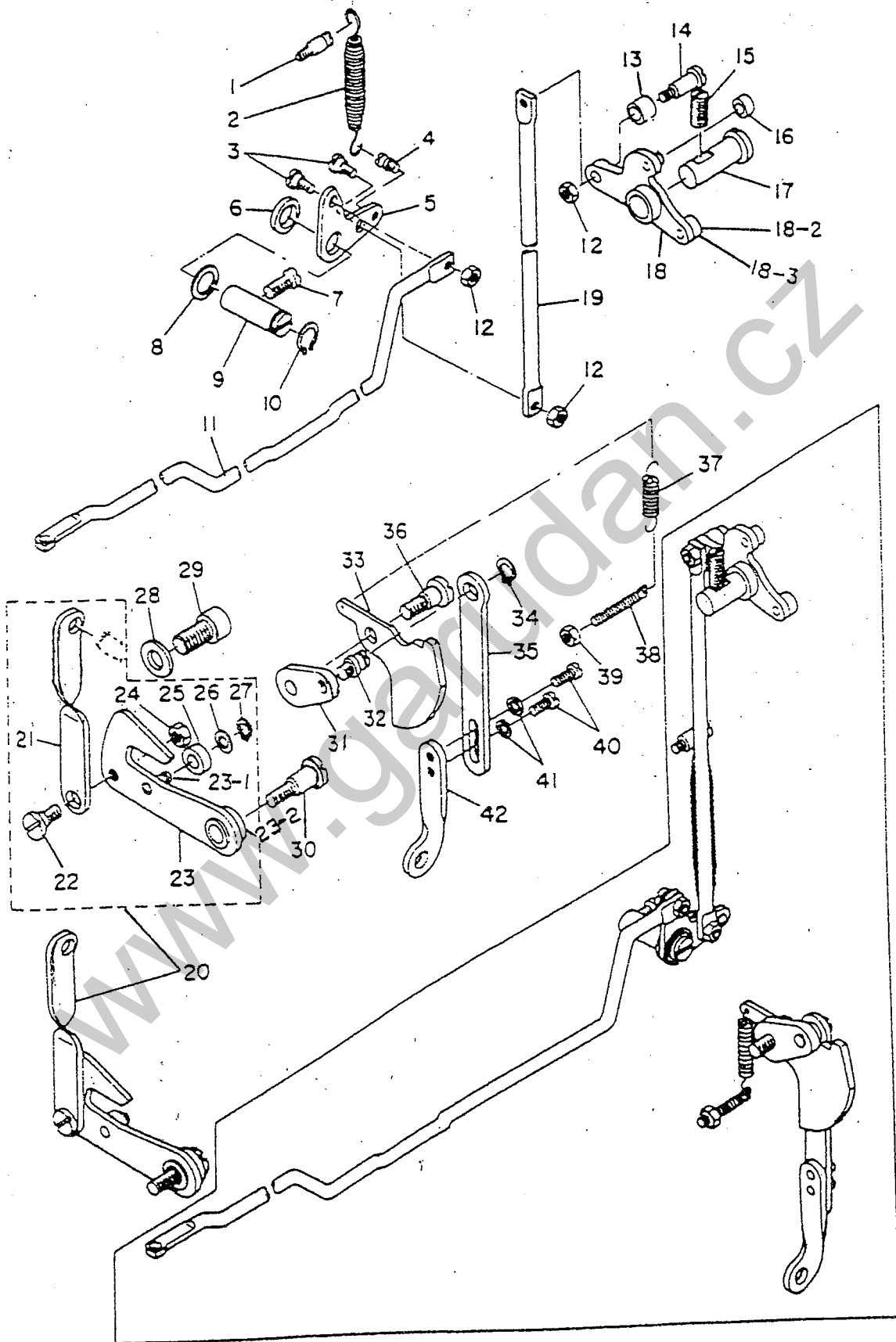




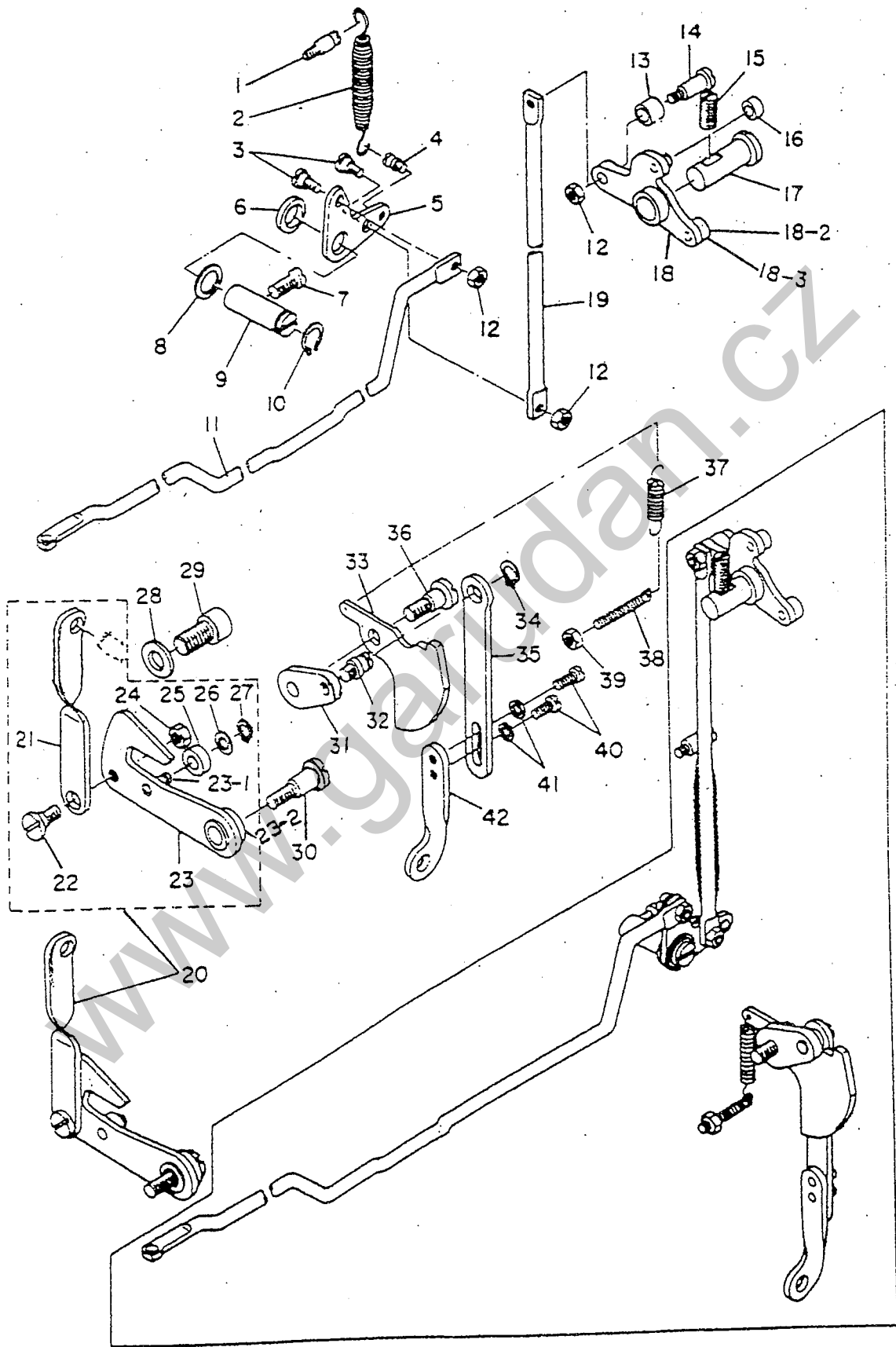
REF. NO.	DESCRIPTION	Q'TY
A 6 - 01 F	SCREW 11/64*40	4
A 6 - 02	E-RING 7	2
A 6 - 03	WASHER	2
A 6 - 3-1	WASHER	2
A 6 - 04	LEVER DRIVING PLATE ASM.	2
A 6 - 04 B	PIN	2
A 6 - 05	TENSION SPRING	2
A 6 - 05 XL	TENSION SPRING (G)	
A 6 - 06	LIFTING LEVER, LEFT	
A 6 - 07	LIFTING LEVER SHAFT	
A 6 - 08	SUPPORT PLATE	
A 6 - 09 F	SCREW 11/64*40	2
A 6 - 10	WORK CLAMP FOOT MOUNTING BASE	7
A 6 - 11	BALL RETAINER	
A 6 - 12 F	SCREW 15/64*28	
A 6 - 13	WASHER 13*6*2	
A 6 - 14	SPRING SUSPENSION	
A 6 - 15	FEED BRACKET	
A 6 - 16 F	SCREW 15/64*28	
A 6 - 17	LIFTING LEVER, RIGHT	
A 6 - 18 F	SCREW 1/8*44	2
A 6 - 19	FINGER GUARDE	
A 6 - 20 F	SCREW 11/64*40	5
A 6 - 21	WORK CLAMP FOOT FACE PLATE	
A 6 - 22	WORK CLAMP FOOT, RIGHT	
A 6 - 22 XL	WORK CLAMP FOOT, RIGHT (G)	
A 6 - 23	WORK CLAMP FOOT, LEFT	
A 6 - 23 XL	WORK CLAMP FOOT, LEFT (G)	
A 6 - 24 F	SCREW 15/64*28	
A 6 - 25	WASHER	
A 6 - 26	FEED PLATE	
A 6 - 26 XL	FEED PLATE (G)	
A 6 - 27 F	SCREW 11/64*40	6
A 6 - 28	FEED PLATE PRESSER PLATE	
A 6 - 29	FEED PLATE CARRIER BAR	



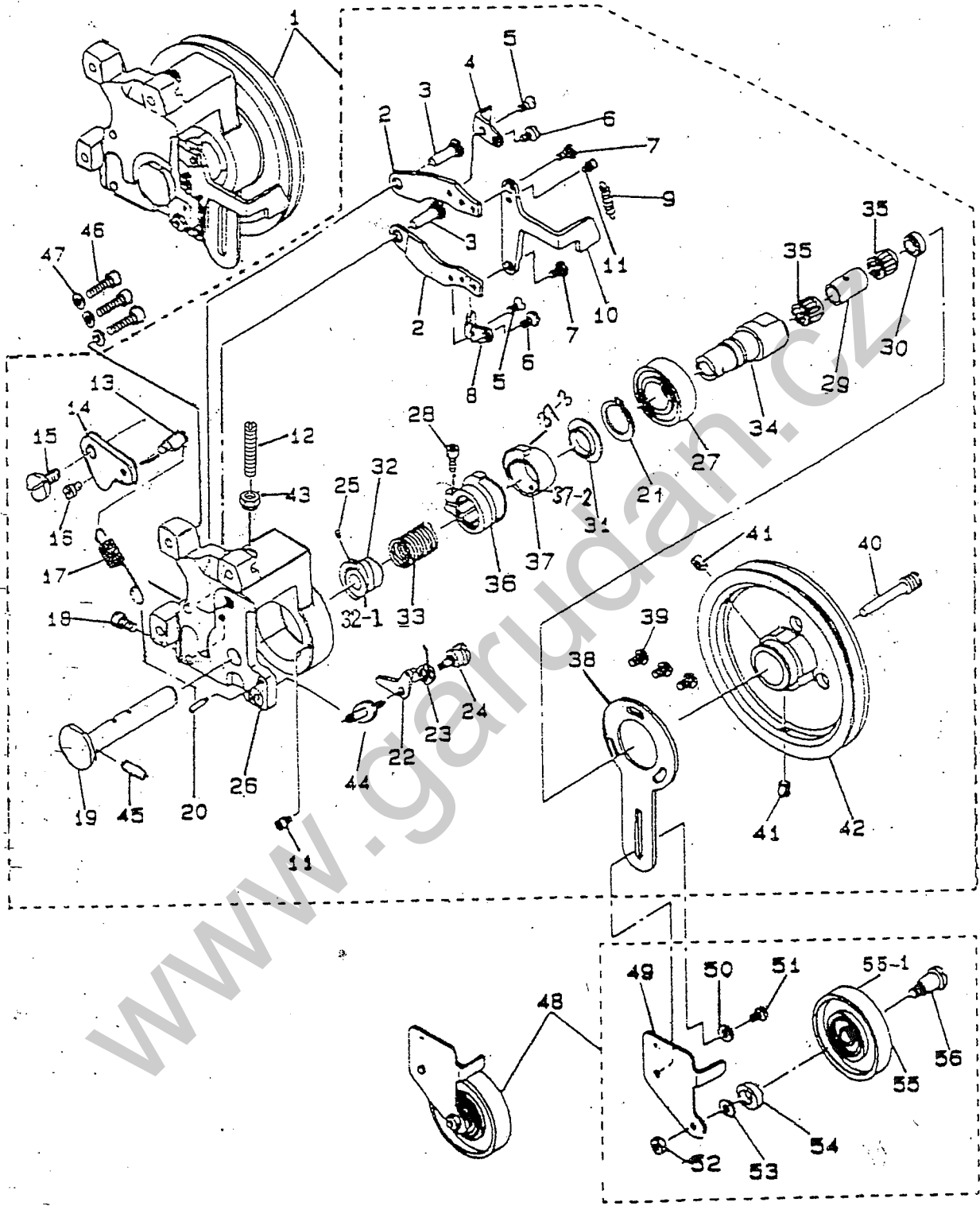
REF. NO.	DESCRIPTION	Q:TY
A 6 - 3 0	FEED DRIVING ARM SHAFT	2
A 6 - 3 1 F	SCREW 15/64*28	
A 6 - 3 2 F	SCREW 5/16*24	
A 6 - 3 3 H	NUT 15/64*28	2
A 6 - 3 4	WASHER 15*7*2	
A 6 - 3 5	FEED REGULATOR	
A 6 - 3 6	HINGE STUD 15/64*28	
A 6 - 3 7 H	NUT 5/16*24	
A 6 - 3 8	FEED REGULATOR STUD 15/64*28	2
A 6 - 3 9	INDICATOR LEVER	2
A 6 - 4 0 F	HINGE SCREW 11/64*40	2
A 6 - 4 1	SLIDE BLOCK B	2
A 6 - 4 2 H	NUT 1/4*40	2
A 6 - 4 3	WASHER 12.8*6.5*0.8	2
A 6 - 4 4	FEED CAM ROLLER SHAFT 1/4*40	2
A 6 - 4 5	FEED CAM ROLLER	2
A 6 - 4 6	FEED DRIVING ARM	
A 6 - 4 7 F	SCREW 15/64*28	
A 6 - 4 8	FEED REGULATOR SHAFT	2
A 6 - 4 9	RUBBER FLUG	2
A 6 - 5 0	PLATE	
A 6 - 5 1 F	SCREW 11/64*40	2
A 6 - 5 2 F	SCREW 15/64*28	
A 6 - 5 3	WASHER 20*7*4.5	
A 6 - 5 4	SLIDE BLOCK STUD	
A 6 - 5 5	SQUARE BLOCK	
A 6 - 5 6 F	SCREW 15/64*28	
A 6 - 5 7	FEED ACROSS DRIVING ARM	
A 6 - 5 8	FEED ACROSS REGULATOR	
A 6 - 5 9 F	SCREW 15/64*28	



REF. NO.	DESCRIPTION	Q'TY
A 7 - 01 F	TENSION SPRING RACK B	
A 7 - 02	TENSION SPRING	
A 7 - 03 F	HINGE SCREW 3/16*28	2
A 7 - 04 F	THREAD CUTTING LINK SPRING RAC	
A 7 - 05	THREAD CUTTING LINK	
A 7 - 06	THREAD CUTTING RING	
A 7 - 07 F	SCREW 15/64*28	
A 7 - 08	THREAD CUTTING LINK WASHER	
A 7 - 09	THREAD CUTTING SHAFT	
A 7 - 10	RETAINING RING 10.2	
A 7 - 11	CONNECTING ROD, LARGE	
A 7 - 12 H	NUT 3/16*28	3
A 7 - 13	ROLLER	
A 7 - 14 F	HINGE SCREW 3/16*28	
A 7 - 15 F	SCREW 9/32*28	
A 7 - 16	THREAD CUTTING CAM ROLLER	
A 7 - 17	CAM STUD	
A 7 - 18	THREAD CUTTING CAM COMPL.	
A 7 - 18-2	ROLLER	
A 7 - 18-3	PIN	
A 7 - 18-4	ROLLER	
A 7 - 18-5	ROLLER	
A 7 - 19	CONNECTING ROD, SMALL	
A 7 - 20	LOWERING LINK ASM.	
A 7 - 21	LOWERING LINK	
A 7 - 22 F	HINGE SCREW 15/64*28	
A 7 - 23	LOWERING LEVER ASM.	
A 7 - 23-1	PIN	
A 7 - 23-2	ROLLER	
A 7 - 24 H	NUT 15/64*28	
A 7 - 25	ROLLER	

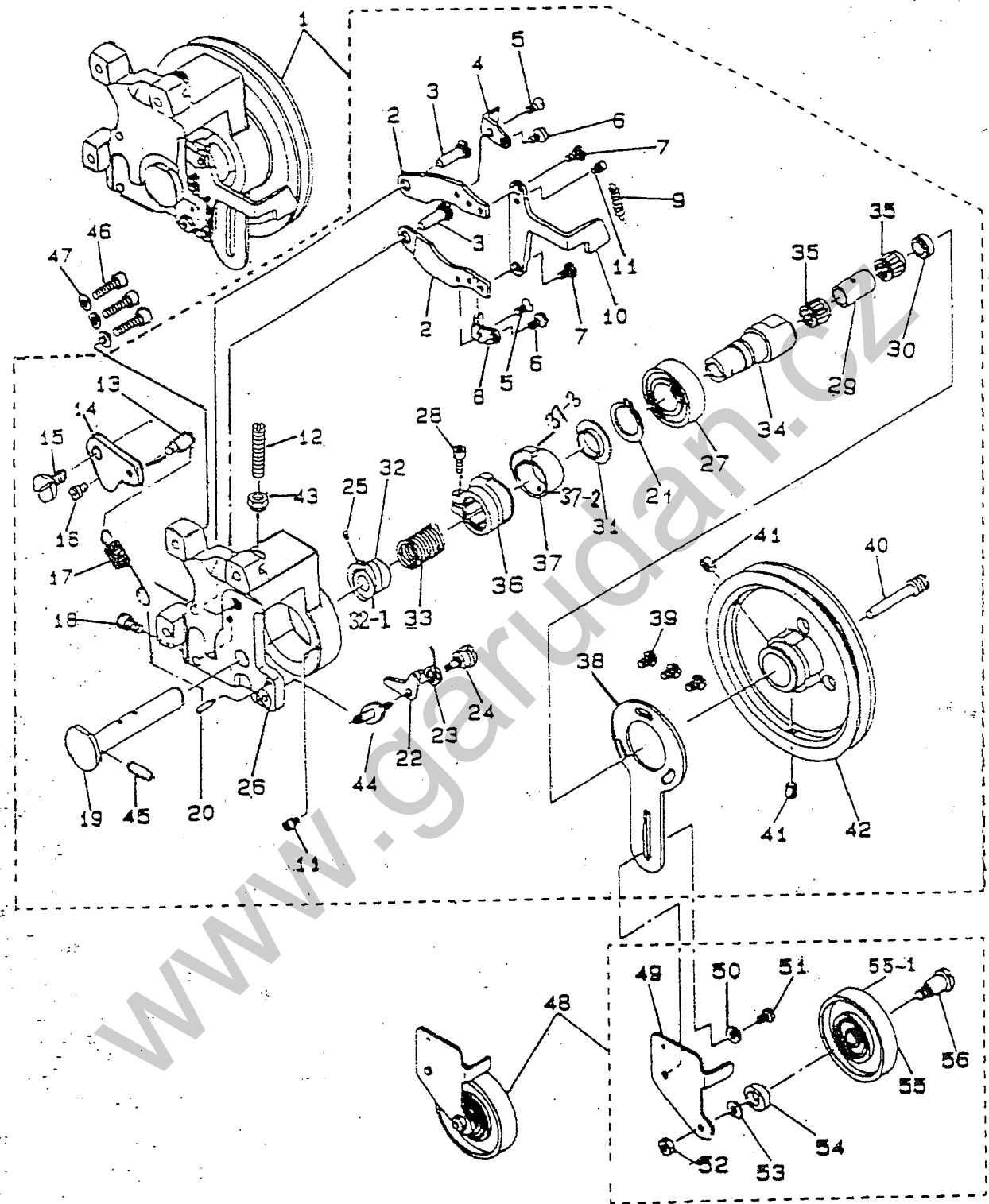


REF. NO.	DESCRIPTION	Q'TY
A 7 - 26	WASHER	
A 7 - 27	STOP RING	
A 7 - 28	WASHER 24*9.8*2.6	
A 7 - 29 F	SCREW 3/8*28	
A 7 - 30 F	HINGE SCREW 9/32*24	
A 7 - 31	AUXILIARY LEVER	
A 7 - 32	SHAFT	
A 7 - 33	THREAD TRIMMING AUXILIARY CAM	
A 7 - 34	RETAINING RING	
A 7 - 35	CONNECTING PLATE B	
A 7 - 36 F	HINGE SCREW 1/4*24	
A 7 - 37	SPRING	
A 7 - 38 F	TENSION SPRING ADJUSTING SCREW	
A 7 - 39 H	NUT 11/64*40	
A 7 - 40 F	SCREW 11/64*40	2
A 7 - 41	WASHER 8.4*4.8*0.8	2
A 7 - 42	CONNECTING PLATE A	

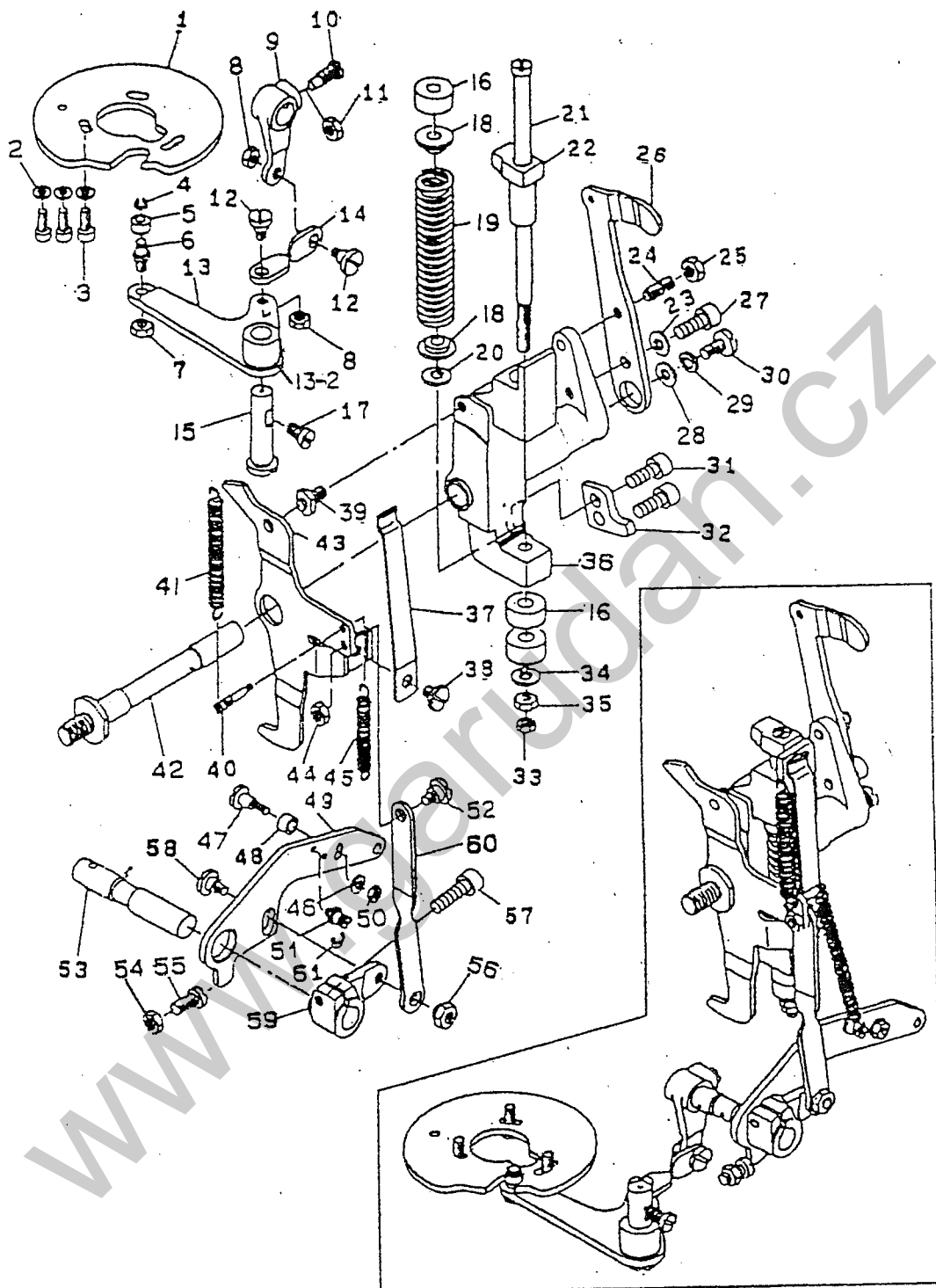




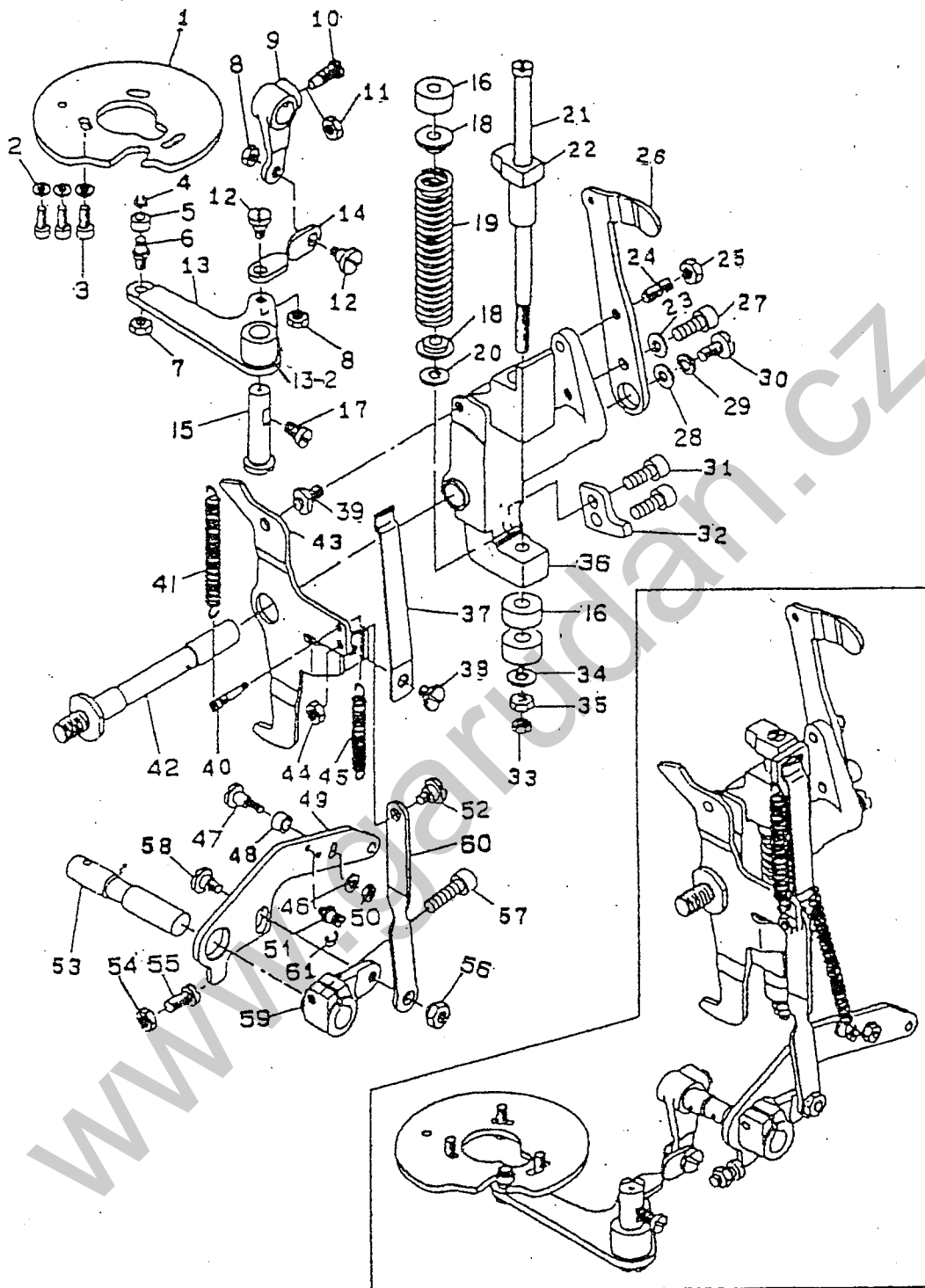
REF. NO.	DESCRIPTION	Q'TY
A 8 - 01	PRESSURE DECREASING DEVICE	
A 8 - 02	PRESSURE DECREASING LEVER	2
A 8 - 03 F	STUD	2
A 8 - 04	LEVER LATCH A	
A 8 - 05 F	SCREW 11/64*40	2
A 8 - 06 F	SCREW 11/64*40	2
A 8 - 07 F	HINGE SCREW 11/64*40	2
A 8 - 08	LEVER LATCH B	
A 8 - 09	SPRING	
A 8 - 10	PRESSURE DECREASING LEVER LINK	
A 8 - 11 F	THREAD CUTTING LINK SPRING RAC	2
A 8 - 12 F	SCREW 15/64*28	
A 8 - 13	SUSPENSION PIN	
A 8 - 14	AUXILIARY CAM	
A 8 - 15 F	HINGE SCREW 15/64*28	
A 8 - 16 F	SCREW 11/64*40	
A 8 - 17	SPRING	
A 8 - 18 F	SCREW 15/64*28	2
A 8 - 19	PRESSURE DECREASING SHAFT ASM	
A 8 - 20	PIN 3*4	
A 8 - 21	SNAP RING 18.5	
A 8 - 22	ROTATION PREVENTING LATCH ASM.	
A 8 - 22-1	PIN	
A 8 - 23	SPRING	
A 8 - 24 F	HINGE SCREW 15/64*28	
A 8 - 25 F	SCREW 11/64*40	
A 8 - 26	PRESSURE DECREASING UNIT FRAME	
A 8 - 27	BEARING	
A 8 - 28 F	SCREW 3/16*28	
A 8 - 29	COLLAR A	
A 8 - 30	COLLAR B	



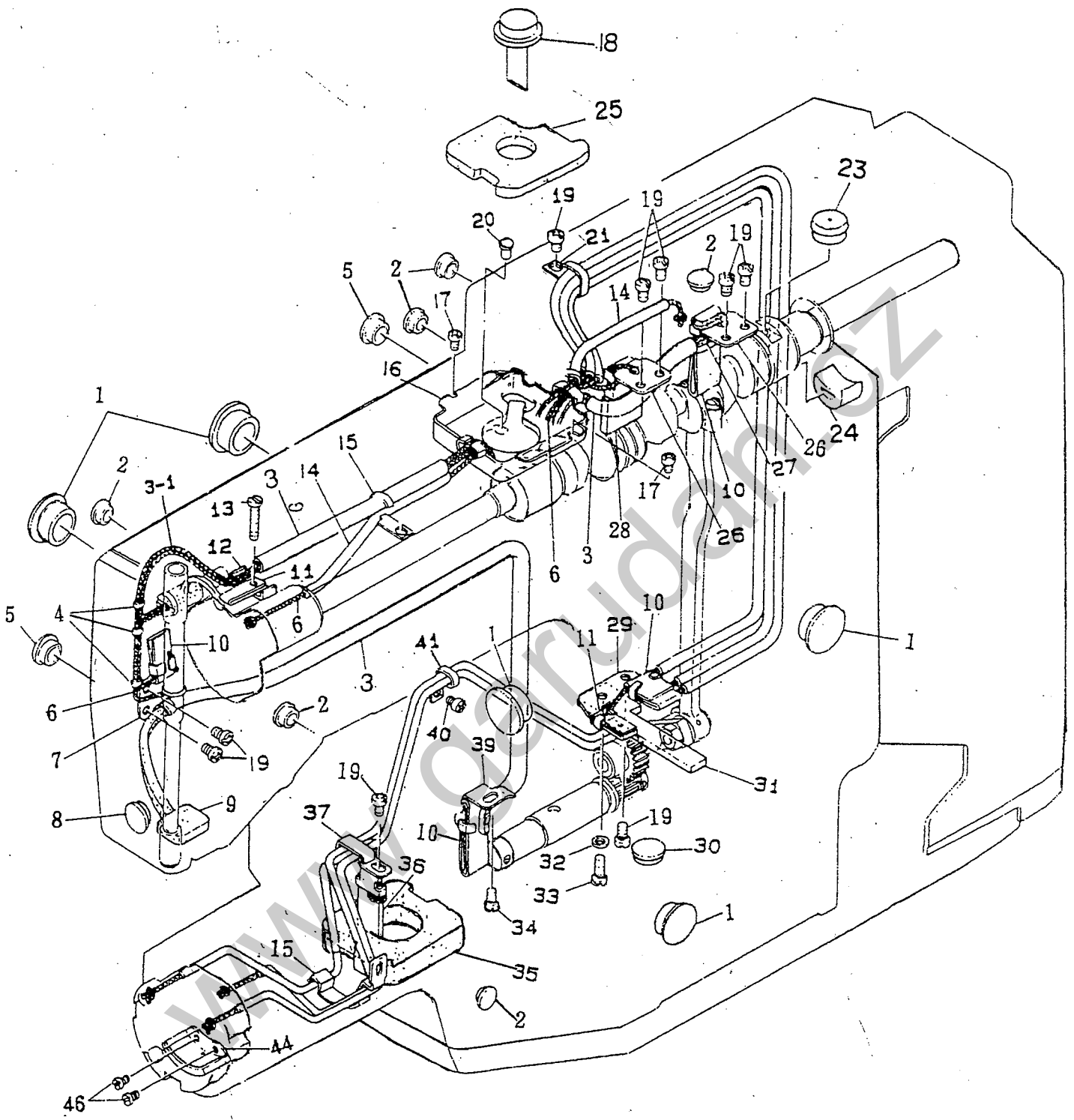
REF. NO.	DESCRIPTION	Q'TY
A 8 - 3 1	OUTER SLEEV GUIDE	
A 8 - 3 2	DECREASING CLUTCH ASM.	
A 8 - 3 2 - 1	PIN	
A 8 - 3 3	CLUTCH SPRING	
A 8 - 3 4	SHAFT	
A 8 - 3 5	BEARING	2
A 8 - 3 6	INNER SLEEVE	
A 8 - 3 7	OUTER SLEEVE	
A 8 - 3 7 - 2	PIN	
A 8 - 3 7 - 3	PIN	
A 8 - 3 8	IDLER PULLEY INSTALLING PLATE	
A 8 - 3 9 F	SCREW 11/64*40	3
A 8 - 4 0 F	SCREW	
A 8 - 4 1 F	SCREW 15/64*28	2
A 8 - 4 2	DRIVING PULLEY	
A 8 - 4 3 H	NUT 15/64*28	
A 8 - 4 4 F	SCREW 11/64*40	
A 8 - 4 5	PIN	
A 8 - 4 6 F	SCREW 15/64*28	3
A 8 - 4 7	WASHER 13*6.2*1	3
A 8 - 4 8	-----	
A 8 - 4 9	IDLER PULLEY BRACKET	
A 8 - 5 0	WASHER 13*6.2*1	
A 8 - 5 1 F	SCREW 15/64*28	
A 8 - 5 2 H	NUT 15/64*28	
A 8 - 5 3	WASHER 18*6.1*5.2	
A 8 - 5 4	TENSION RING	
A 8 - 5 5	BEARING	
A 8 - 5 5 - 1	IDLER PULLEY ASM.	
A 8 - 5 6 F	HINGE SCREW 15/64*28	



REF. NO.	DESCRIPTION	Q' TY
A 9 - 0 1	STOP - MOTION REGULATING CAM	
A 9 - 0 2	WASHER 8.4*4.8*0.8	3
A 9 - 0 3 F	SCREW 3/16*28	3
A 9 - 0 4	RETAINING RING	
A 9 - 0 5	COLLAR	
A 9 - 0 6 F	ROLLER SHAFT 15/64*28	
A 9 - 0 7 H	NUT 15/64*28	
A 9 - 0 8 H	NUT 15/64*28	2
A 9 - 0 9	STOP - MOTION ARM B	
A 9 - 1 0 F	SCREW 9/32*28	
A 9 - 1 1 H	NUT 9/32*28	
A 9 - 1 2 F	HINGE SCREW 15/64*28	2
A 9 - 1 3	REGULATING LEVER ASM.	
A 9 - 1 3 - 2	ROLLER	
A 9 - 1 4	STOP - MOTION LINK	
A 9 - 1 5	REGULATING LEVER ASM.	
A 9 - 1 6	RUBBER CUSHION	3
A 9 - 1 7 F	SCREW 15/64*28	
A 9 - 1 8	WASHER	2
A 9 - 1 9	PRESSURE SPRING	
A 9 - 2 0	WASHER 7.5*19*1.5	
A 9 - 2 1	STOP LINK ROD	
A 9 - 2 2	STOP - MOTION HOOK	
A 9 - 2 3	WASHER 13*6*1	
A 9 - 2 4 F	SCREW 15/64*28	
A 9 - 2 5 H	NUT 15/64*28	
A 9 - 2 6	GREASE BOX	
A 9 - 2 7 F	SCREW 15/64*28	
A 9 - 2 8	WASHER 6.1*18.5*2	
A 9 - 2 9	SPRING WASHER 11.9*6.4*1.5	
A 9 - 3 0 F	SCREW 15/64*28	
A 9 - 3 1 F	SCREW 15/64*28	2
A 9 - 3 2	SAFETY PLATE	

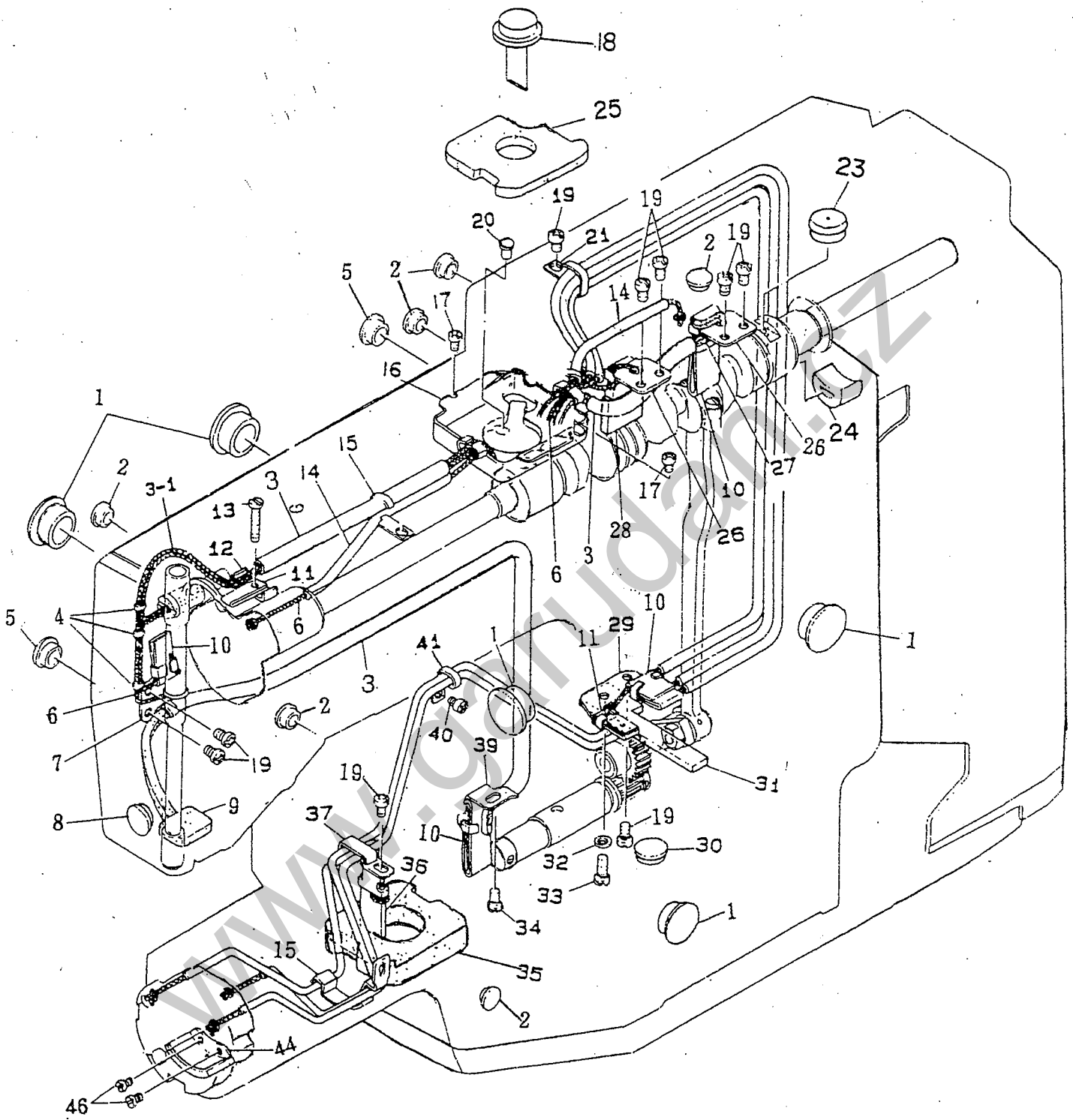


REF. NO.	DESCRIPTION	Q'TY
A 9 - 3 3 H	NUT 15/64*28	
A 9 - 3 4	WASHER 7.5*19*1.5	
A 9 - 3 5 H	NUT 15/64*28	
A 9 - 3 6	STOP - MOTION LEVER	
A 9 - 3 7	STOP - MOTION LEVER PLATE SPRING	
A 9 - 3 8 F	SCREW 9/32*28	
A 9 - 3 9 F	GUIDE PIN 15/64*28	
A 9 - 4 0	SPRING SUSPENSION	
A 9 - 4 1	TENSION SPRING	
A 9 - 4 2	STOP - MOTION LEVER SHAFT	
A 9 - 4 3	DRIVING PLATE	
A 9 - 4 4 H	NUT 15/64*28	
A 9 - 4 5	TENSION SPRING	
A 9 - 4 6	WASHER 4.8*8.4*0.8	
A 9 - 4 7 F	HINGE SCREW 11/64*40	
A 9 - 4 8	SLIDE ROLLER	
A 9 - 4 9	STARTING LEVER	
A 9 - 5 0 H	NUT 11/64*40	
A 9 - 5 1	SUSPENSION SCREW	
A 9 - 5 2 F	HINGE SCREW 15/64*28	
A 9 - 5 3	STOP - MOTION ARM SHAFT	
A 9 - 5 4 H	NUT 15/64*28	
A 9 - 5 5 F	SCREW 15/64*28	
A 9 - 5 6 H	NUT 15/64*28	
A 9 - 5 7 F	SCREW 15/64*28	
A 9 - 5 8 F	HINGE SCREW 15/64*28	
A 9 - 5 9	STOP - MOTION ARM A ASM.	
A 9 - 6 0	STOP - MOTION CONNECTING LEVER	
A 9 - 6 1	E - RING 4	



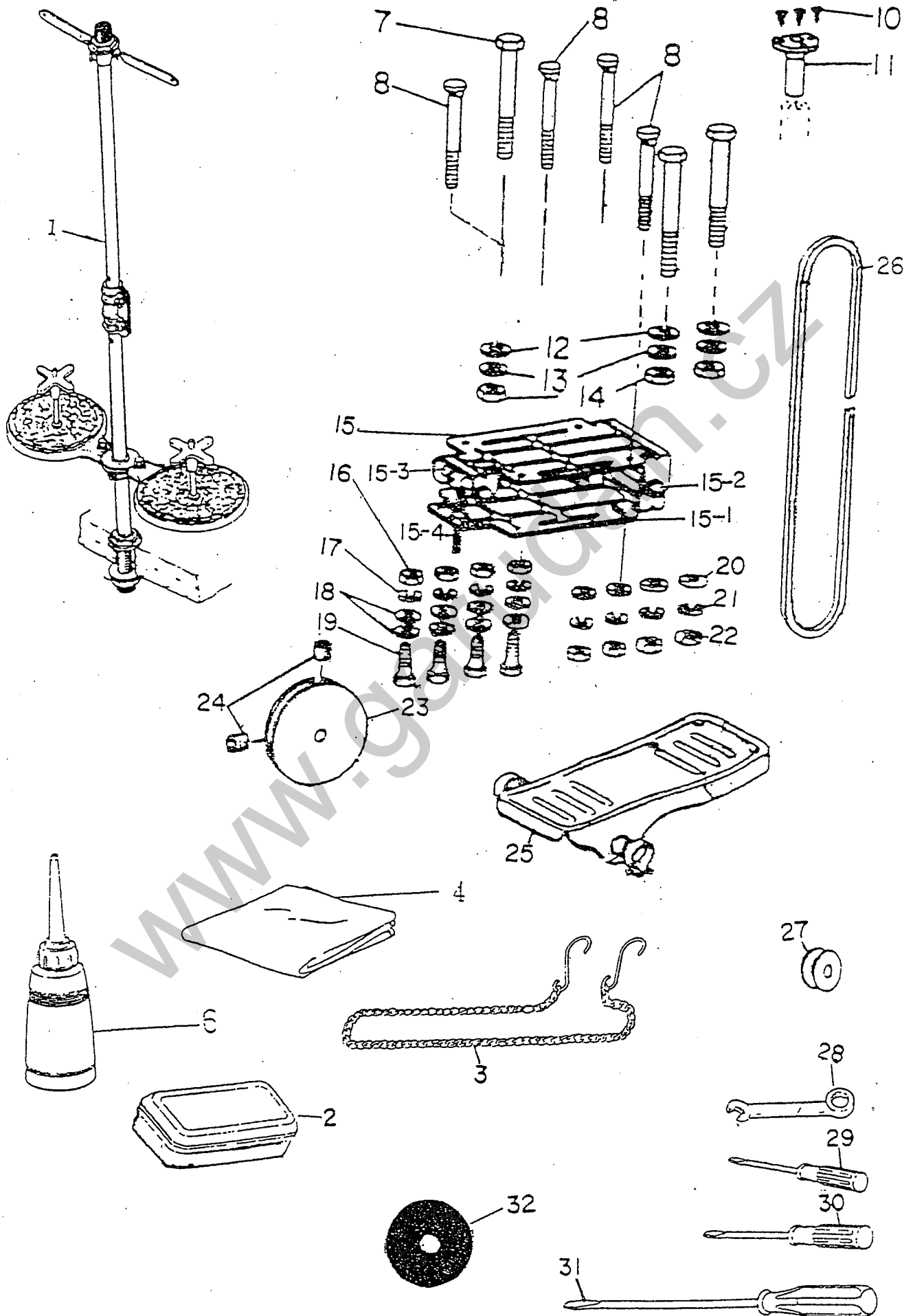


REF. NO.	DESCRIPTION	Q'TY
A 1 0 - 0 1	RUBBER PLUG	5
A 1 0 - 0 2	RUBBER PLUG	6
A 1 0 - 0 3	VINYL TUBE, WHITE D= 6	
A 1 0 - 3 - 1	OIL TANK FELT	
A 1 0 - 0 4	OIL WICK HOLDER	3
A 1 0 - 0 5	RUBBER PLUG	2
A 1 0 - 0 6	OIL WICK	
A 1 0 - 0 7	OIL WICK HOLDER	
A 1 0 - 0 8	RUBBER PLUG	
A 1 0 - 0 9	OIL FELT	
A 1 0 - 1 0	OIL SPONGE	4
A 1 0 - 1 1	OIL SPONGE	2
A 1 0 - 1 2	LUBRICATING PLATE	
A 1 0 - 1 3 F	SCREW 9/64*40	
A 1 0 - 1 4	VINYL TUBE, WHITE D= 3	
A 1 0 - 1 5	OIL WICK HOLDER	2
A 1 0 - 1 6	OIL TANK	
A 1 0 - 1 7	SCREW 9/64*40	
A 1 0 - 1 8	OIL GAUGE	
A 1 0 - 1 9 F	SCREW 11/64*40	11
A 1 0 - 2 0	RUBBER PLUG	
A 1 0 - 2 1	OIL WICK HOLDER	
A 1 0 - 2 3	GREASF CAP	
A 1 0 - 2 4	BUSHING	
A 1 0 - 2 5	OIL TANK FELT	
A 1 0 - 2 6	OIL FELT INSTALLING PLATE	2
A 1 0 - 2 7	OIL FELT	
A 1 0 - 2 8	OIL FELT	
A 1 0 - 2 9	OIL FELT SUPPORTING PLATE	
A 1 0 - 3 0	RUBBER PLUG	
A 1 0 - 3 1	OIL WICK SUPPORTING FELT	
A 1 0 - 3 2	WASHER 13*6.2*1	



REF. NO.	DESCRIPTION	Q'TY
A 10 - 33 F	SCREW 11/64*40	
A 10 - 34 F	SCREW 11/64*40	
A 10 - 35	OIL TANK FELT	
A 10 - 36	OIL FELT, FOR SHUTTLE RACF	2
A 10 - 37	OIL TUBE HOLDER A	
A 10 - 39	OIL FELT HOLDER	
A 10 - 40 F	SCREW 11/64*40	
A 10 - 41	OIL TUBE HOLDER	
A 10 - 44	PRESSER PLATE	
A 10 - 46 F	SCREW 9/64*40	2

www.garudan.cv



A11

REF. NO.	DESCRIPTION	Q'TY
A 11 - 01	THREAD STAND ASM.	
A 11 - 02	ACCESSORY BAG	
A 11 - 03	CHAIN	
A 11 - 04	HEAD COVER	
A 11 - 06	OILER ASSEMBLY	
A 11 - 07 F	SCREW 15/64*28	3
A 11 - 08 F	MOUNTING BOLT	4
A 11 - 10 F	WOOD SCREW	3
A 11 - 11	OIL DPAIN	
A 11 - 12	WASHER 6.1*18.5*2	3
A 11 - 13	WASHER 6.2*13*1	3
A 11 - 14 H	NUT 15/64*28	3
A 11 - 15	MOTOR BASE ASM.	
A 11 - 15 - 1	-----	
A 11 - 15 - 2	-----	
A 11 - 15 - 3	-----	
A 11 - 15 - 4	-----	
A 11 - 16 H	NUT M6	4
A 11 - 17	SPRING WASHER 6.2*11.4*1.2	4
A 11 - 18	WASHER 6.1*18.5*2	8
A 11 - 19 F	SCREW M6	4
A 11 - 20	WASHER 8.5*18*1.6	4
A 11 - 21	SPRING WASHER 9*15*2	4
A 11 - 22 H	NUT 5/16*18	4
A 11 - 23	MOTOR PULLEY	
A 11 - 24 F	SCREW 15/64*28	2
A 11 - 25	THREADLE	
A 11 - 26	V- BELT, INCH	2
A 11 - 27	BOBBIN	3
A 11 - 28	SPANNER	
A 11 - 29	SCREW DRIVER	
A 11 - 30	SCREW DRIVER	
A 11 - 31	SCREW DRIVER	
A 11 - 32	RUBBER WASHER	

[www.garudan.cz](http://www.garudan.cz)