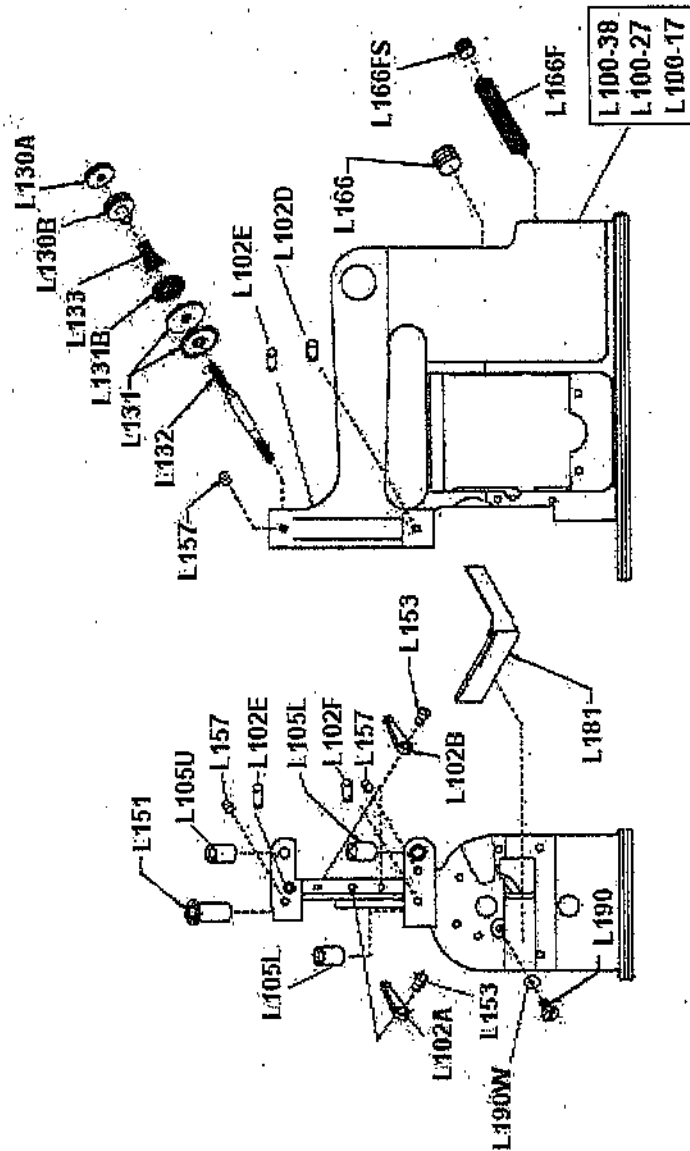
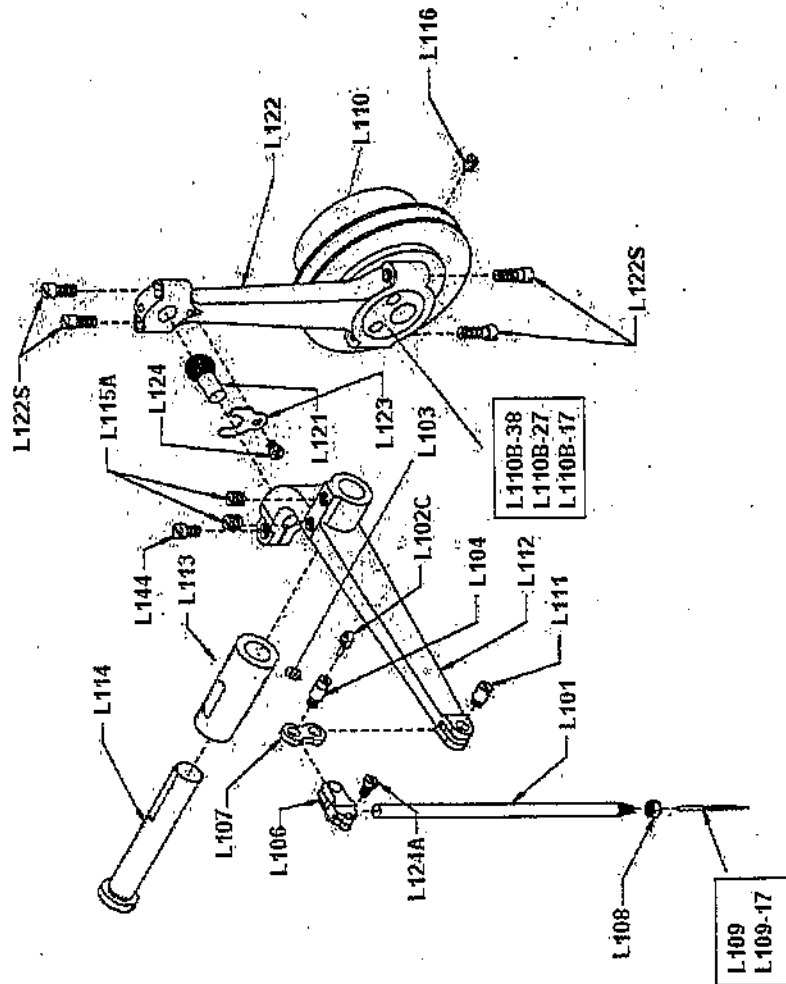


1. Thread Guide and Shaft Bushing



1. Thread Guide and Shaft Bushing	
PARTS NO.	DESCRIPTION
L100-38	MACHINE FRAME FOR IDL-38
L100-27	MACHINE FRAME FOR IDL-27
L100-17	MACHINE FRAME FOR IDL-17
L102A	THREAD GUIDE A
L102B	THREAD GUIDE B
L102D	THREAD GUIDE D
L102E	THREAD GUIDE E
L102F	THREAD GUIDE F
L105L	UPPER NEEDLE BAR BUSHING
L105U	LOWER NEEDLE BAR BUSHING
L130A	TENSION NUT A
L130B	TENSION NUT B
L131	TENSION PLATE
L131B	FELT
L132	TENSION STUD
L133	TENSION SPRING
L151	UPPER PRESSER BAR BUSHING
L153	THREAD GUIDE SCREW
L157	BUSHING SCREW
L166	PLUG PIN ON BODY
L166F	FELT
L166FS	SCREW
L181	LATCH NEEDLE CARRIER GUIDE (L-SHAPE)
L190	LATCH NEEDLE CARRIER GUIDE SCREW
L190W	LATCH NEEDLE CARRIER GUIDE WASHER

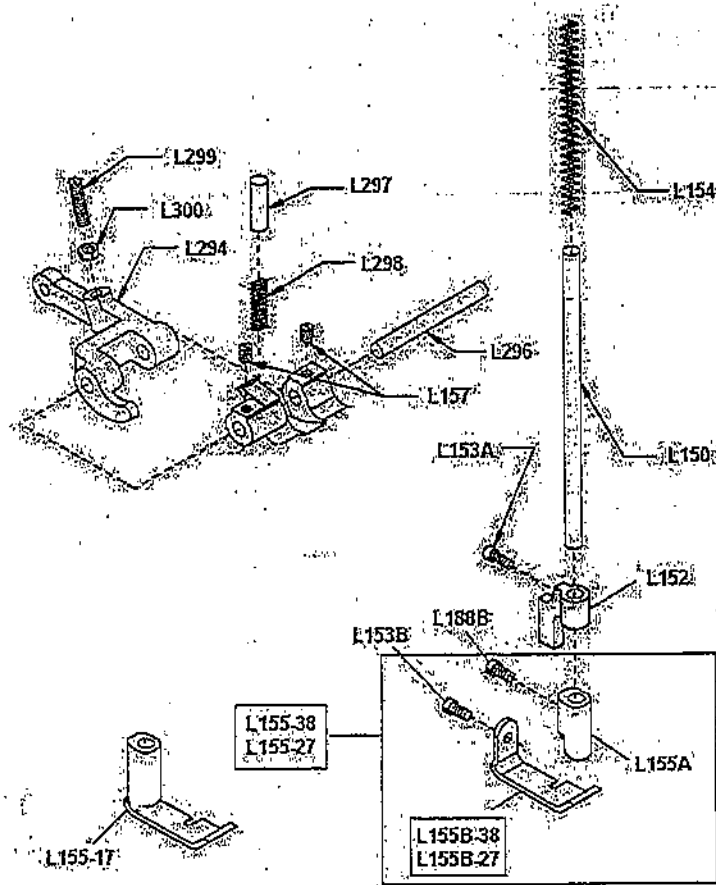
2. Needle Driving Mechanism



2. NEEDLE DRIVING MECHANISM

PARTS NO.	DESCRIPTION
L101	NEEDLE BAR
L102C	THREAD GUIDE
L103	THREAD GUIDE SCREW
L104	CONNECTING ROD STUD LARGE
L106	NEEDLE BAR GUIDE
L107	CONNECTING ROD
L108	NEEDLE CLAMP
L109	NEEDLE FOR IDL-38, IDL-27 (DBx1 #23)
L109-17	NEEDLE FOR IDL-17 (DBx1 #19)
L110	PULLEY
L110B-38	DRIVING BALL FOR IDL-38
L110B-27	DRIVING BALL FOR IDL-27
L110B-17	DRIVING BALL FOR IDL-17
L111	CONNECTING ROD STUD SMALL
L112	NEEDLE BAR ACTUATING LEVER
L113	NEEDLE BAR ACTUATING LEVER BUSHING
L114	NEEDLE BAR ACTUATING LEVER ROD
L115A	NEEDLE BAR ACTUATING LEVER ROD SCREW
L116	PULLEY SCREW
L121	NEEDLE BAR BALL STUD
L122	NEEDLE BAR CONNECTING ROD
L122S	NEEDLE BAR CONNECTING ROD SCREW
L123	NEEDLE BAR CONNECTING ROD SPRING
L124	NEEDLE BAR CONNECTING ROD SPRING SCREW
L124A	NEEDLE BAR GUIDE SCREW
L144	NEEDLE BAR BALL STUD SCREW

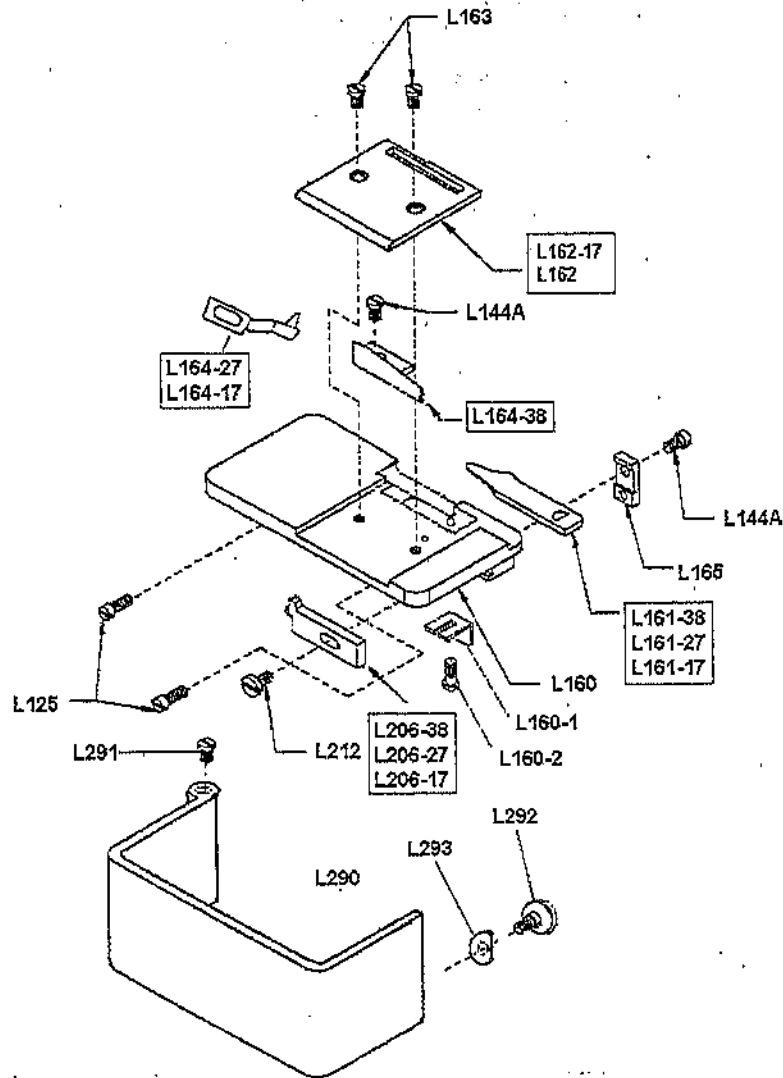
3. Presser Foot Mechanism



3. PRESSER FOOT MECHANISM

PARTS NO.	DESCRIPTION
L150	PRESSER BAR
L152	PRESSER FOOT BRACKET
L153A	PRESSER FOOT BASE SCREW
L153B	PRESSER FOOT BRACKET SCREW
L154	PRESSER FOOT SPRING
L155-38	PRESSER FOOT COMPLETE SET FOR IDL-38
L155-27	PRESSER FOOT COMPLETE SET FOR IDL-27
L155-17	PRESSER FOOT COMPLETE SET FOR IDL-17
L155A	PRESSER FOOT BASE BRACKET
L155B-38	PRESSER FOOT BASE FOR IDL-38
L155B-27	PRESSER FOOT BASE FOR IDL-27
L157	PRESSER FOOT LIFT BRACKET STUD SCREW
L188B	PRESSER FOOT BASE BRACKET SCREW
L294	PRESSER FOOT LIFTER LEVER
L296	PRESSER FOOT LIFTER LEVER STUD
L297	PRESSER FOOT LIFTER STOP STUD
L298	PRESSER FOOT LIFTER STOP STUD SPRING
L299	PRESSER FOOT LIFTER STOP SCREW
L300	PRESSER FOOT LIFTER STOP NUT

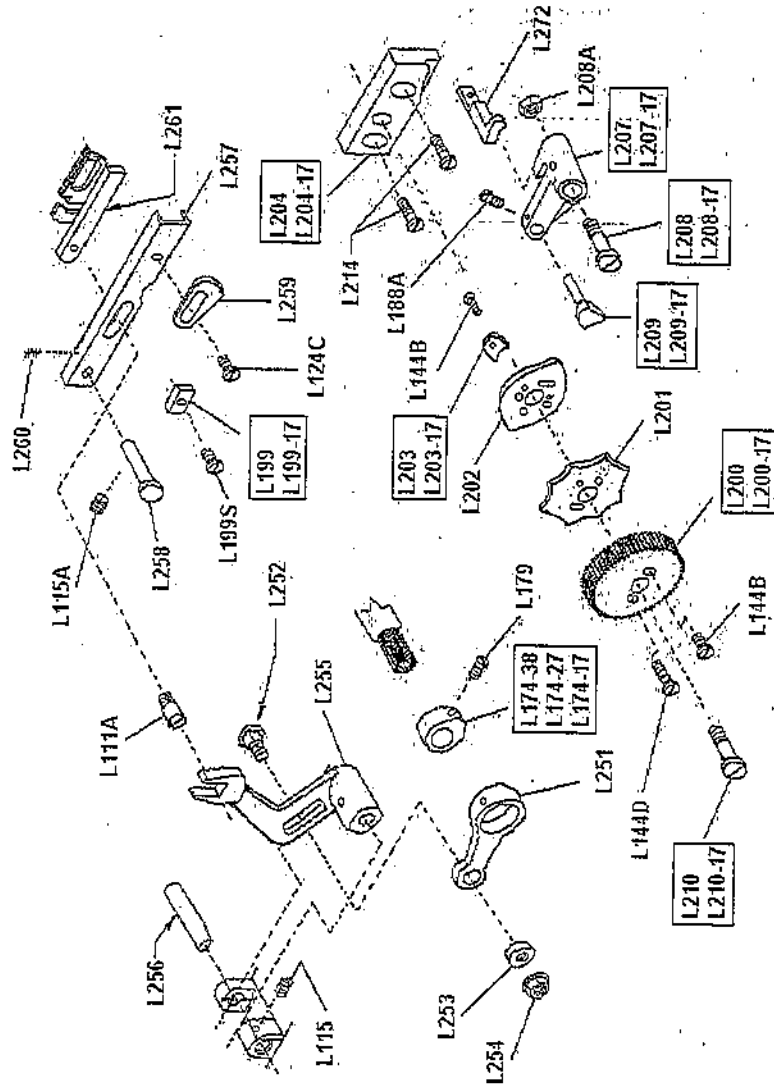
4. Needle Plate Mechanism



4. NEEDLE PLATE MECHANISM

PARTS NO.	DESCRIPTION
L125	BASE COVER SCREW
L144A	SCREW
L160	CASE COVER
L160-1	FEED BAR BRACKET GUIDE
L160-2	FEED BAR BRACKET GUIDE SCREW
L161-38	SEAM FORMING PLATE FOR IDL-38
L161-27	SEAM FORMING PLATE FOR IDL-27
L161-17	SEAM FORMING PLATE FOR IDL-17
L162	NEEDLE PLATE FOR IDL-38 , IDL-27
L162-17	NEEDLE PLATE FOR IDL-17
L163	NEEDLE PLATE SCREW
L164-38	THREAD GUIDE SHIM FOR IDL-38
L164-27	THREAD GUIDE SHIM FOR IDL-27
L164-17	THREAD GUIDE SHIM FOR IDL-17
L165	PRESSURE PLATE
L206-38	NEEDLE GUIDE FOR IDL-38
L206-27	NEEDLE GUIDE FOR IDL-27
L206-17	NEEDLE GUIDE FOR IDL-17
L212	NEEDLE GUIDE SCREW
L290	SIDE COVER
L291	SIDE COVER SCREW
L292	SIDE STOPPER
L293	STIPPER KNOB

7. Feeding Mechanism



7. FEEDING MECHANISM

PARTS NO.	DESCRIPTION
L111A	FEED AND FEED BAR SCREW
L115	FEED LEVER STUD SCREW
L115A	FEED BAR BRACKET ROCKER SCREW
L124C	FEED LIFTING ADJUSTER SCREW
L144B	FEED LIFTING CAM SCREW
L144D	FEED LIFTING CAM SCREW
L174-38	FEED ECCENTRIC FOR IDL-38
L174-27	FEED ECCENTRIC FOR IDL-27
L174-17	FEED ECCENTRIC FOR IDL-17
L179	FEED ECCENTRIC SCREW
L188A	FEED LIFTING LEVER SCREW
L199	FEED BAR STOPPER FOR IDL-38 , IDL-27
L199-17	FEED BAR STOPPER FOR IDL-17
L199S	FEED BAR STOPPER SCREW
L200	FEED LIFTING GEAR FOR IDL-38 , IDL-27
L200-17	FEED LIFTING GEAR FOR IDL-17
L201	FEED LIFTING CAM FOR IDL-38 , IDL-27
L202	FEED LIFTING CAM FOR IDL-38 , IDL-27
L203	FEED LIFTING CAM FOR IDL-38 , IDL-27
L203-17	FEED LIFTING CAM FOR IDL-17
L204	FEED LIFTING GEAR BRACKET FOR IDL-38 , IDL-27
L204-17	FEED LIFTING GEAR BRACKET FOR IDL-17
L207	FEED LIFTING LEVER FOR IDL-38 , IDL-27
L207-17	FEED LIFTING LEVER FOR IDL-17
L208	FEED LIFTING LEVER ROCKER SCREW FOR IDL-38 , IDL-27
L208-17	FEED LIFTING LEVER ROCKER SCREW FOR IDL-17
L208A	FEED LIFTING LEVER ROCKER SCREW NUT
L209	FEED LIFTING CAM GUIDE FOR IDL-38 , IDL-27
L209-17	FEED LIFTING CAM GUIDE FOR IDL-17
L214	FEED LIFTING GEAR BRACKET SCREW
L251	FEED CONNECTING ROD
L252	STITCH ADJUSTING STUD
L253	FEED ROLLER
L254	STITCH ADJUSTING STUD NUT
L255	FEED LEVER
L256	FEED LEVER STUD
L257	FEED BAR BRACKET
L258	FEED BAR BRACKET ROCKER SCREW
L259	FEED LIFTING ADJUSTER
L260	FEED BAR BRACKET PRESSING SPRING
L261	FEED DOG
L272	FEED LIFTING LEVER CONNECTING SLIDE