

Katalog ND
Spare Parts List

GARUDAN®

GP-414-146(7)



ANITA B, s.r.o.

Hliníky 2068

680 01 Boskovice

Czech Republic

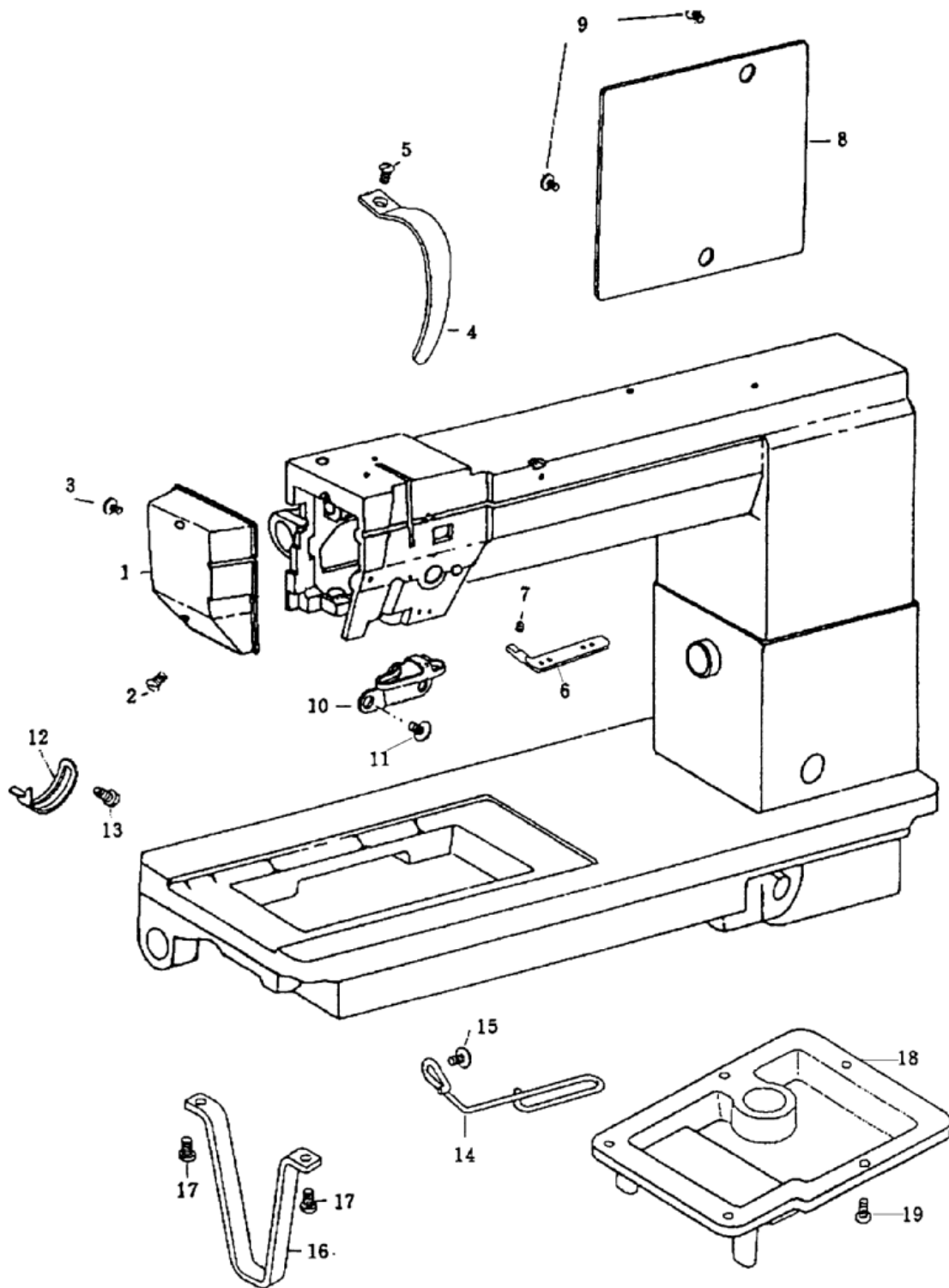
tel: +420 516454774, 516453496

fax: +420 516452751

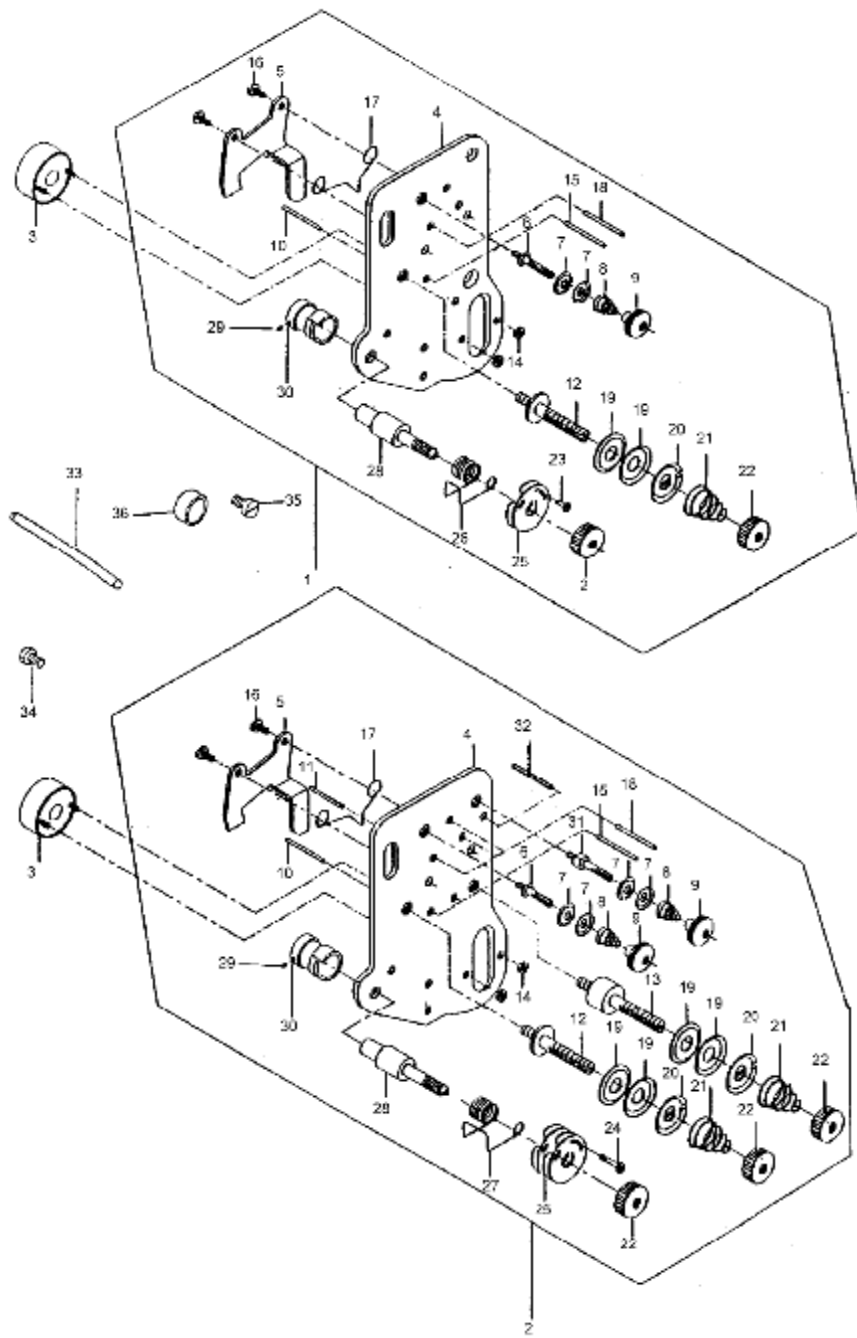
e-mail: info@anita.cz

Spare Parts Lists

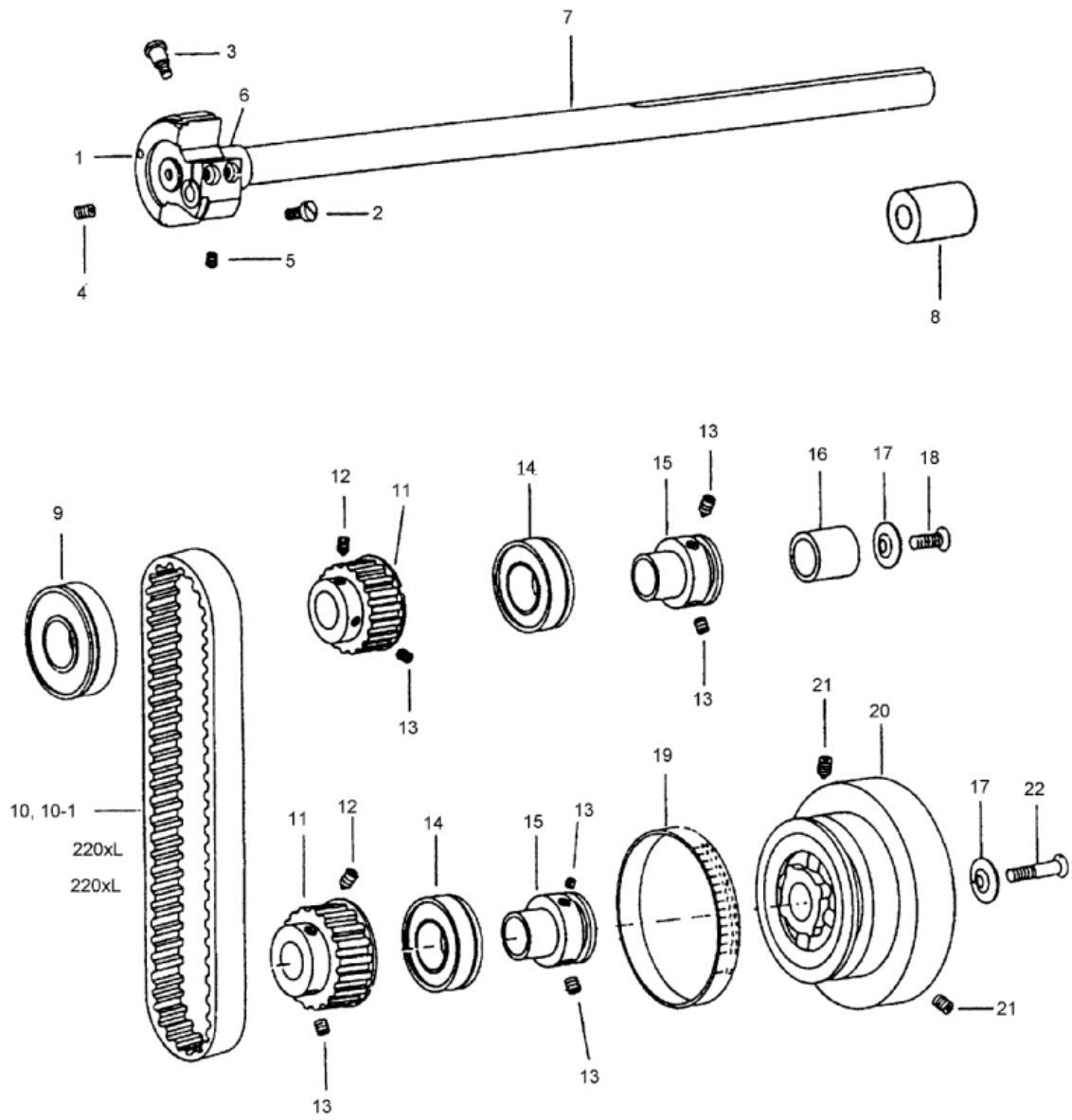
A1	Frame and Cover Parts.....	18,19
A2	Thread Tension Mechanism.....	20,21
B	Upper Shaft Mechanism.....	22,23
C1	Lower Shaft and Clutch Mechanism.....	24,25
C2	Timing Belt Driving Mechanism.....	26,27
D3	Feed Shaft Mechanism.....	28,29
D4	Stitch Adjuster Mechanism.....	30,31
E	Needle Bar and Presser Foot Mechanism.....	32,33
F	Thread Take-Up Lever Mechanism.....	34,35
G1	Roller Presser Foot Mechanism.....	36,37
G2	Presser Foot Bar Mechanism.....	38,39
H1	Right Side Hook Mechanism.....	40,41
H2	Left Side Hook Mechanism.....	42,43
I1	Right Side Hook Post Mechanism.....	44,45
I2	Left and Middle Side Post Mechanism.....	46,47
J	Knife Actuating Mechanism.....	48,49
K	Backtacking Mechanism	
K1	Needle Feed and Driven Roller Mechanism.....	50,51
K2	Left Side Post and Backtacking Feed Mechanism.....	52,53
K3	Upper Driven Roller Backtacking Feed Mechanism.....	54,55
K4	Telescopic Shaft Driven Roller Mechanism.....	56,57
K5	Upper Shaft Driven Roller Mechanism.....	58,59
K6	Rods Lower Backtacking Mechanism.....	60,61
K8	Electric Accessory.....	62,63
L	Auto Presser Lifting Solenoid Mechanism.....	64
N1	Bobbin Winder.....	65
N2	Accessories.....	66,67



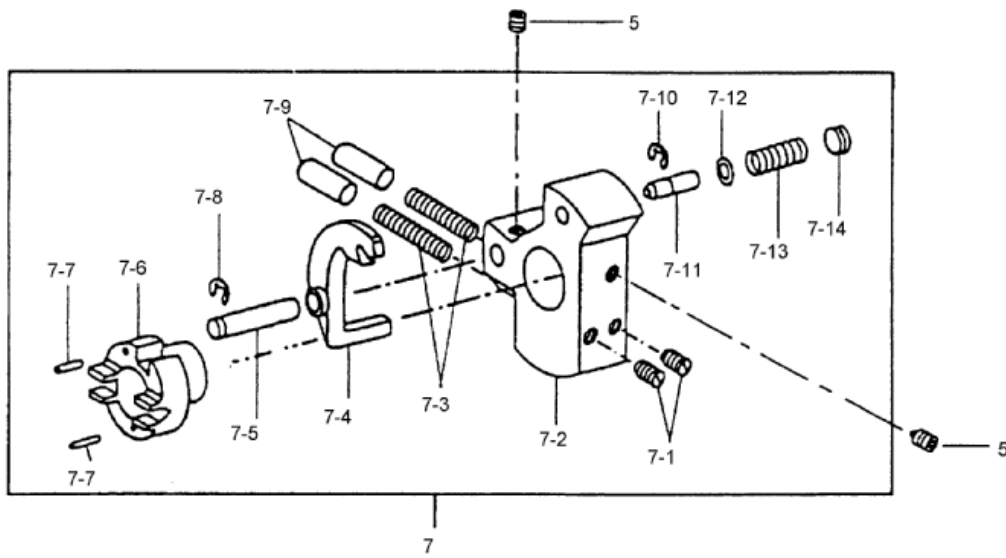
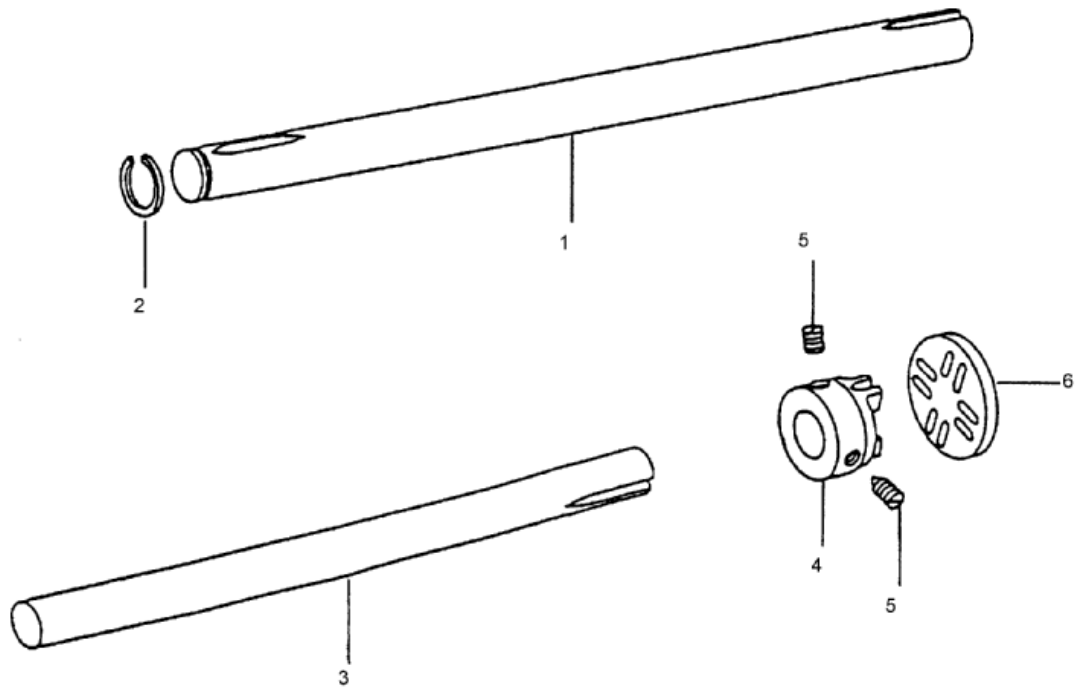
Ref.No.	Part No.	Name of Part	Q'ty
A1-1	GP/119687	Face Plate	1
A1-2	GP/108246	Screw (M5x0,8x25)	1
A1-3	GP/108234	Screw (M5x0,8x35)	1
A1-4	GP/168061	Thread Take-up Cover	1
A1-5	GP/210210	Screw (M5x0,8x8)	1
A1-6	GP/119027	4 Hole Thread Retainer	1
A1-7	GP/314946	Screw (M4x0,7x4)	1
A1-8	GP/119039	Arm Side Cover	1
A1-9	GP/700335	Screw (M5x08x7)	2
A1-10	GP/118430	Thread Guide Wire	1
A1-11	GP/700335	Screw (M5x08x7)	1
A1-12	GP/119025	Stopper	1
A1-13	GP/700082	Screw (M4x07x4,5)	1
A1-14	GP/119686	Thread Guide Wire	1
A1-15	GP/700335	Screw (M5x08x7)	1
A1-16	GP/119092	Bracket	1
A1-17	GP/108285-1	Screw (M6x1,0x14)	2
A1-18	GP/119091	Bottom Cover	1
A1-19	GP/108225	Screw (M5x0,8x10)	5



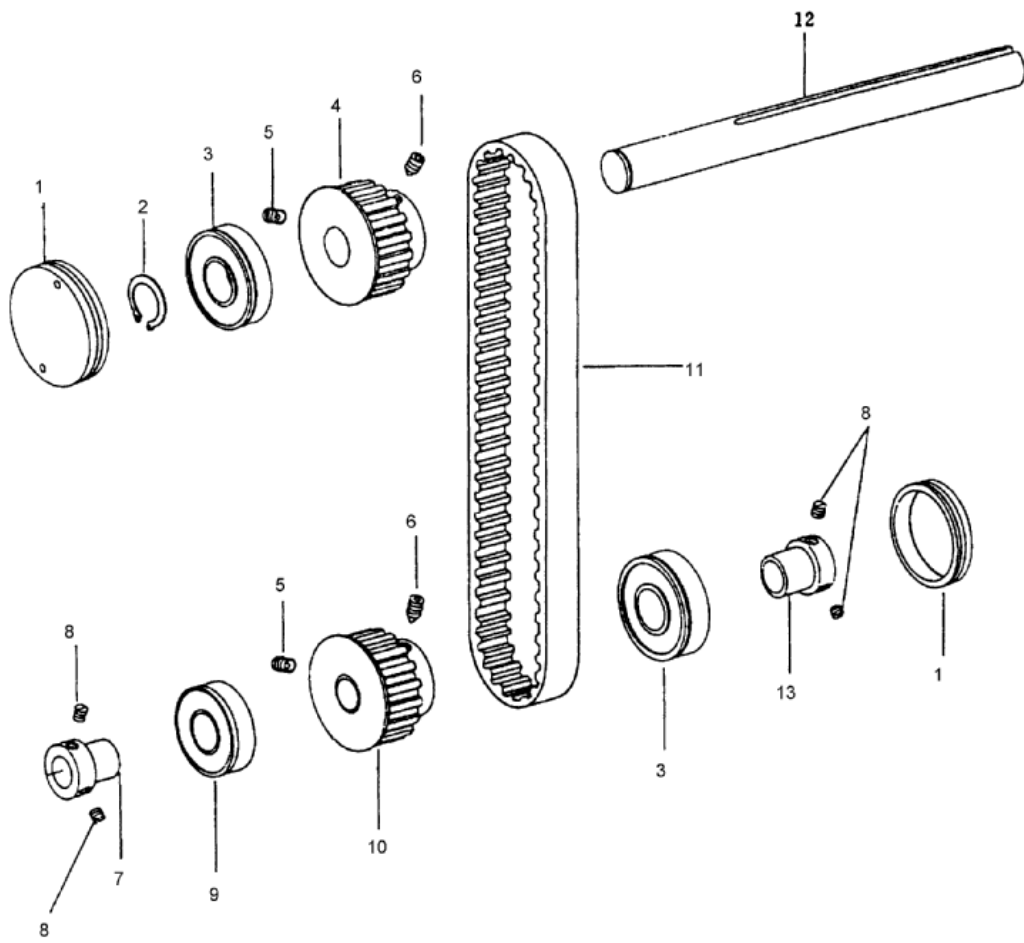
Ref.No.	Part No.	Name of Part	Q'ty
A2-1	GP/119766-2	Thread Tension Regulator Assy/deska nap.úpl.	0
A2-2	GP/119171-25	Thread Tension Regulator Assy/deska nap.úpl.	1
A2-3	GP/EGS3221	Solenoid/magnet EGS 3221	1
A2-4	GP/SM4-6	Base Plate/deska napínačů	1
A2-5	GP/SM2-2.6	Bracket/rameno	1
A2-6	GP/SM3-11-1	Screw/šroub pomoc.napínače,úpr. Z 3-0155	1
A2-7	GS/3-0156	Brake Plate/misky pomocného napínače	4
A2-8	GP/SM4-22	Conus Spring/pružina pomocného napínače	2
A2-9	GS/3-0158	Nut/matice pomocného napínače	2
A2-10	GP/SM2-2.8	Pin/kolík	1
A2-11	GP/SM3-32	Pin/kolík	1
A2-12	GP/119171-16	Thread Tension Stud/šroub napínače	1
A2-13	GP/SM3-10	Thread tension stud/šroub napínače	1
A2-14	GP/DIN934-M2,5	Nut/matice M2,5 DIN 934	2
A2-15	GP/JV2,0x13,8	Pin/kolík-jehla JV2,0x13,8	2
A2-16	GP/119171-12	Screw/šroub	2
A2-17	GP/119171-13	Tension Release Spring/pružina napínače	1
A2-18	GP/JV2,5x13,8	Pin/kolík-jehla JV2,5x13,8	2
A2-19	GP/119171-5	Tension Disc/misky napínače	4
A2-20	GP/119171-22	Tension Disc Washer/podložka napínače	2
A2-21	GP/119171-3	Tension Spring/pružina napínače	2
A2-22	GP/119171-1	Nut/matice napínače	3
A2-23	GP/119171-23	Screw/šroub (M2,5x8 DIN 84A)	0
A2-24	GP/119171-24	Screw/šroub (M2,5x12 DIN 84A)	1
A2-25	GP/119171-2	Spring Guide Assy/miska upravovací pružiny	2
A2-26	GP/119766-1	Thread Take-up Spring/upravovací pružina	0
A2-27	GP/119171-4	Thread Take-up Spring/upravovací pružina	1
A2-28	GP/119171-6	Thread Tension Stud/šroub	1
A2-29	GP/119171-7	Screw/šroub	1
A2-30	GP/119171-8	Thread Tension Regulator Bushing/pouzdro	1
A2-31	GP/SM3-11-2	Screw/šroub pomoc.napínače,úpr. z 3-0155	1
A2-32	GP/JV2,5x21,8	Pin/kolík-jehla JV2,5x21,8	1
A2-33	GP/118553	Tension Releasing Pin/kol.vypínání napínače	1
A2-34	GP/175096-1	Screw/šroub	1
A2-35	GP/700412	Screw/šroub	1
A2-36	GP/700412-1	Bushing/distanční kroužek	1



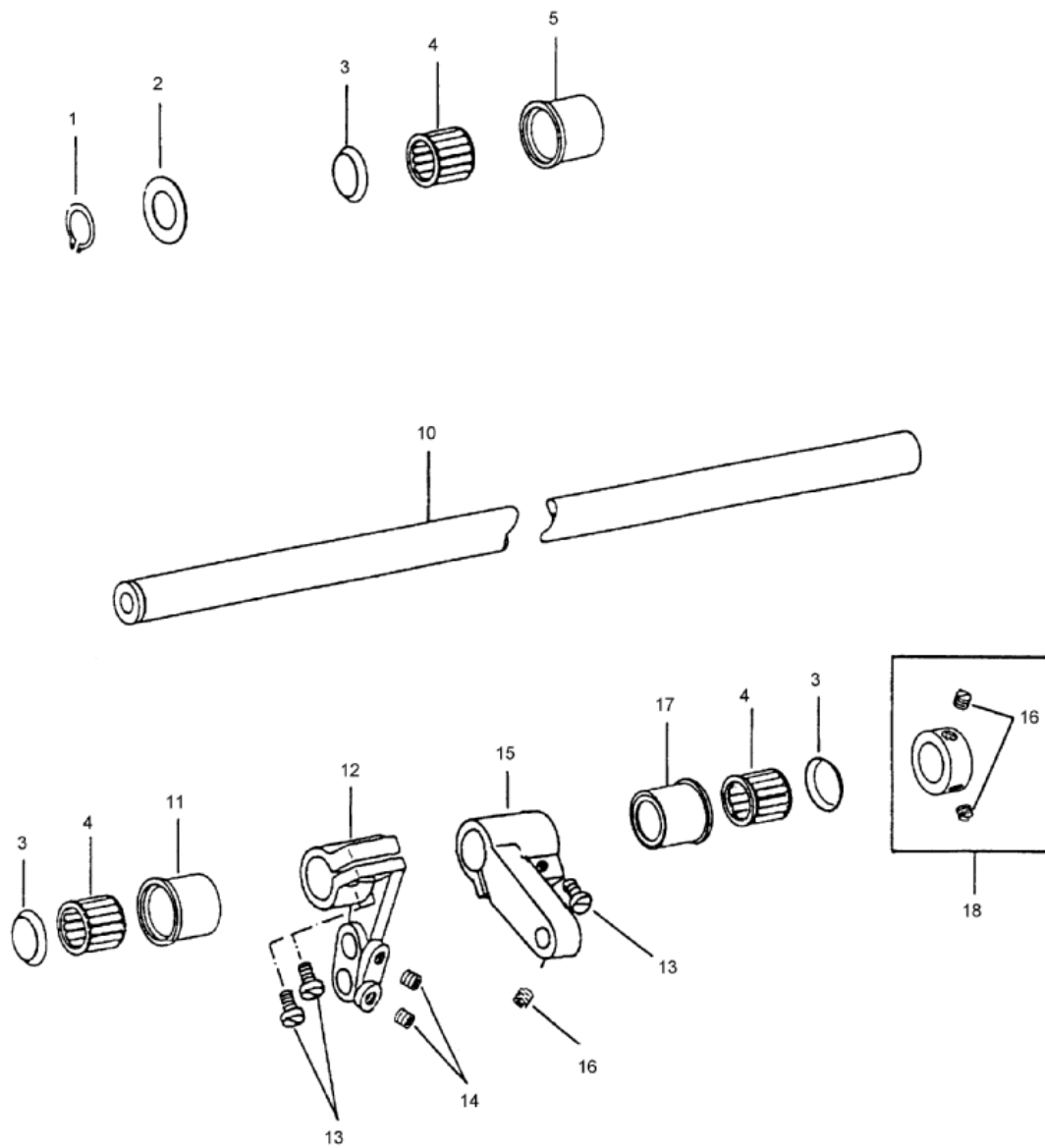
Ref.No.	Part No.	Name of Part	Q'ty
B-1	GP/119702-2	Crank Cam	1
B-2	GP/130224	Screw (M5x0,8x12)	2
B-3	GP/119702-3	Screw (M7x1,0x22)	1
B-4	GP/119702-4	Screw (M7x1,0x16,5)	1
B-5	GP/700510	Screw (M6x0,75x8)	1
B-6	GP/119702-5	Bushing	1
B-7	GP/119702-1	Upper Shaft	1
B-8	GP/119702-6	Bushing	0
B-9	GP/018643	Ball Bearing	2
B-10	GP/069160	Timing Belt 220xL	1
B-10-1	GP/069160-1	Timing Belt 220xL	1
B-11	GP/119707	Timing Belt Wheel	2
B-12	GP/335902	Screw (M6x0,75x10)	2
B-13	GP/335902-1	Screw (M6x0,75x8)	6
B-14	GP/016153	Ball Bearing	2
B-15	GP/119705	Upper Shaft Bushing	2
B-16	GP/069746	Bushing	1
B-17	GP/168480	Washer	2
B-18	GP/210265	Screw (M6x1,0x16)	1
B-19	GP/175048	Feed Regulator Scale	1
B-20	GP/170913	Pulley Balance Wheel	1
B-21	GP/341902	Screw (M6x1,0x16)	2
B-22	GP/210287	Screw (M6x1,0x35)	1



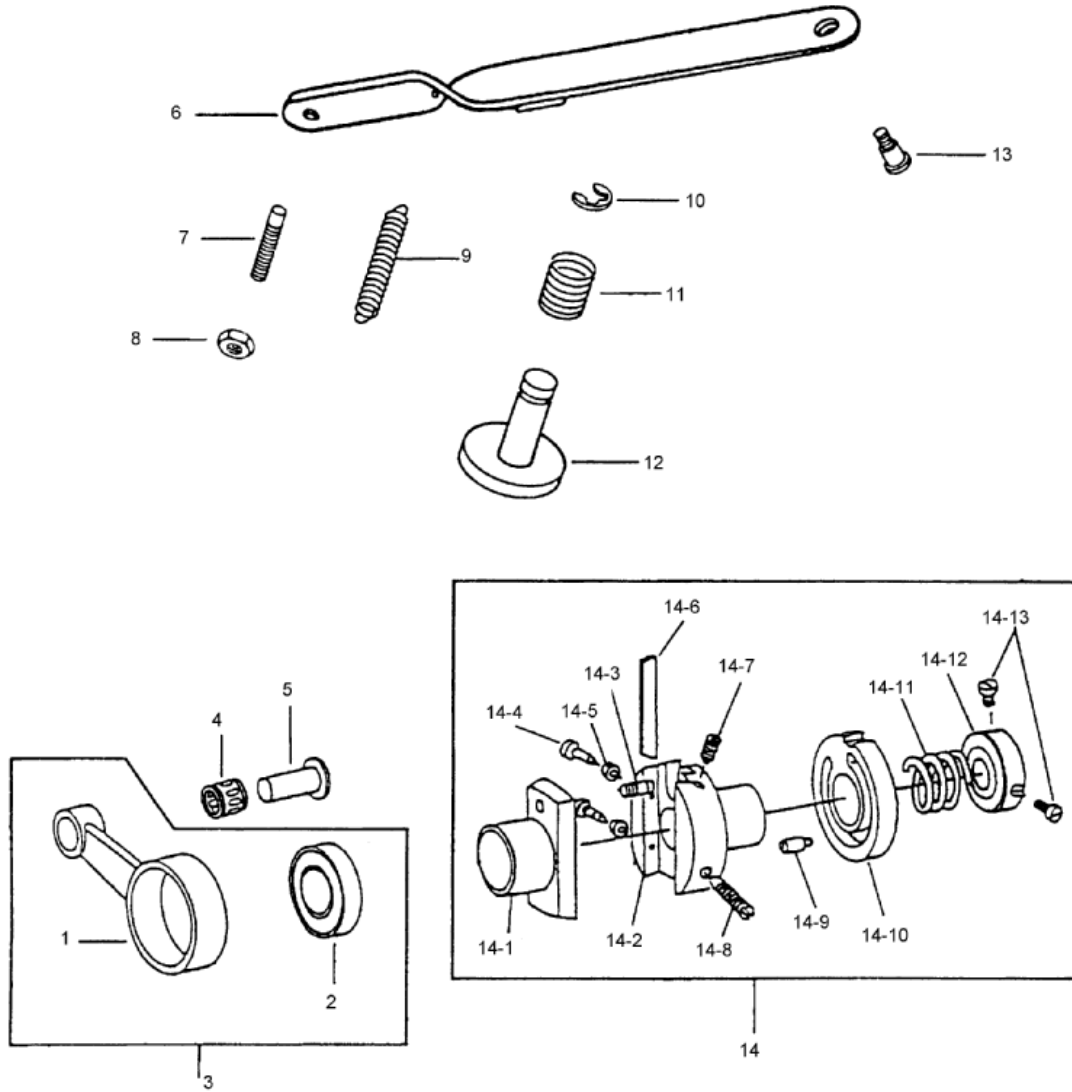
Ref.No.	Part No.	Name of Part	Q'ty
C1-1	GP/175025	Shaft	1
C1-2	GP/518250	Retaining Ring	1
C1-3	GP/119711	Shaft	1
C1-4	GP/175019	Coupler	1
C1-5	GP/341901	Screw (M6x0,75x6)	4
C1-6	GP/133109	Coupler	1
C1-7	GP/119081A	Connecting Plate	1
C1-7- 1	GP/700510	Screw (M6x0,75x7)	2
C1-7- 2	GP/173263	Safety Clutch Seat	1
C1-7- 3	GP/013153	Spring	2
C1-7- 4	GP/173261	Latch	1
C1-7- 5	GP/009408	Hinge Stud	1
C1-7- 6	GP/173264	Coupler (right)	1
C1-7- 7	GP/065052	Pin	2
C1-7- 8	GP/640150	E - Ring	1
C1-7- 9	GP/175023	Stud	2
C1-7-10	GP/640130	E - Ring	1
C1-7-11	GP/013076	Drop - In Pin	1
C1-7-12	GP/069037	Washer	1
C1-7-13	GP/009343	Spring	1
C1-7-14	GP/175126	Ring	1



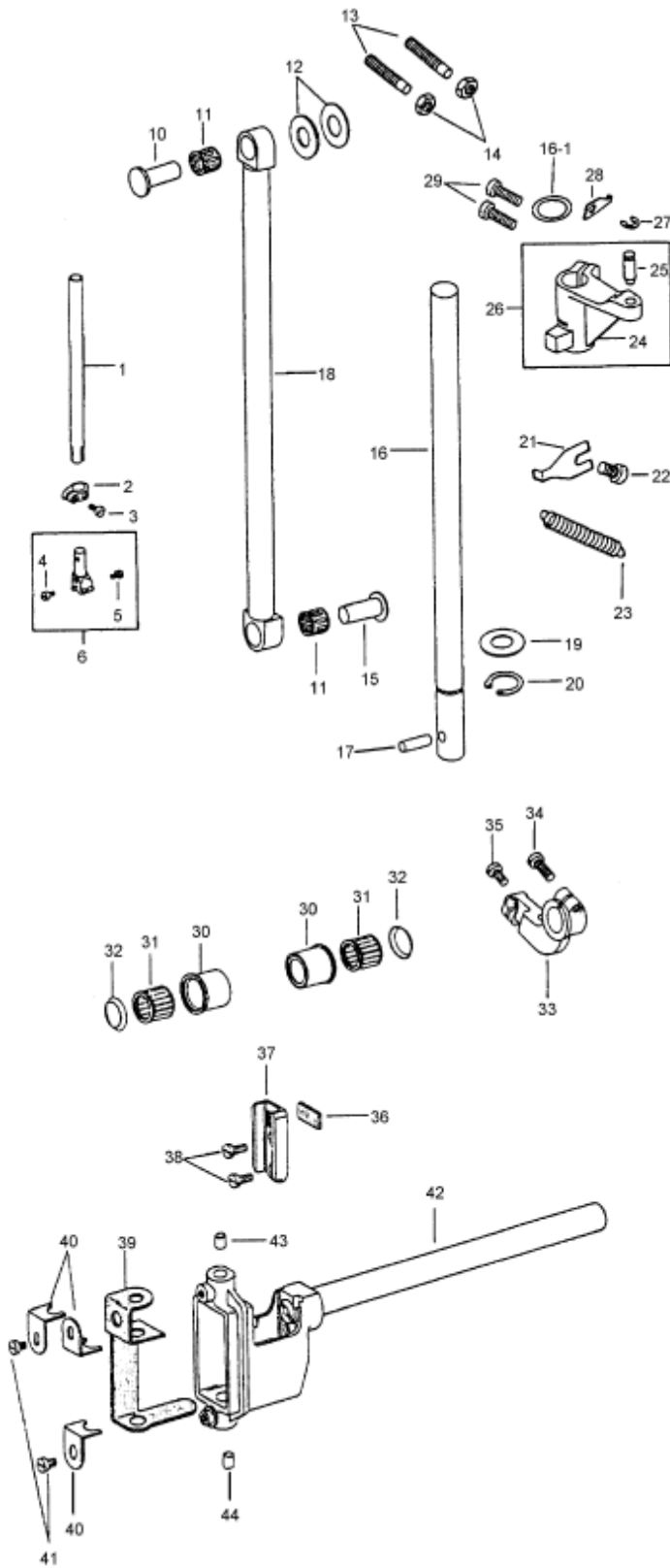
Ref.No.	Part No.	Name of Part	Qty
C2-1	GP/119097	Plug	2
C2-2	GP/610300	Retaining Ring	1
C2-3	GP/018624	Ball Bearing	2
C2-4	GP/119707	Timing Belt Wheel	1
C2-5	GP/335902-1	Screw (M6x0,75x8)	2
C2-6	GP/335902	Screw (M6x0,75x10)	2
C2-7	GP/119121	Collar (Left)	1
C2-8	GP/700689	Screw (M6x0,75x4,5)	4
C2-9	GP/018613	Ball Bearing	1
C2-10	GP/119708	Timing Belt Wheel	1
C2-11	GP/069161	Timing Belt 210xL	1
C2-11	GP/069161-1	Timing Belt 210xL	1
C2-12	GP/119706	Shaft	1
C2-13	GP/118726	Collar (Right)	1



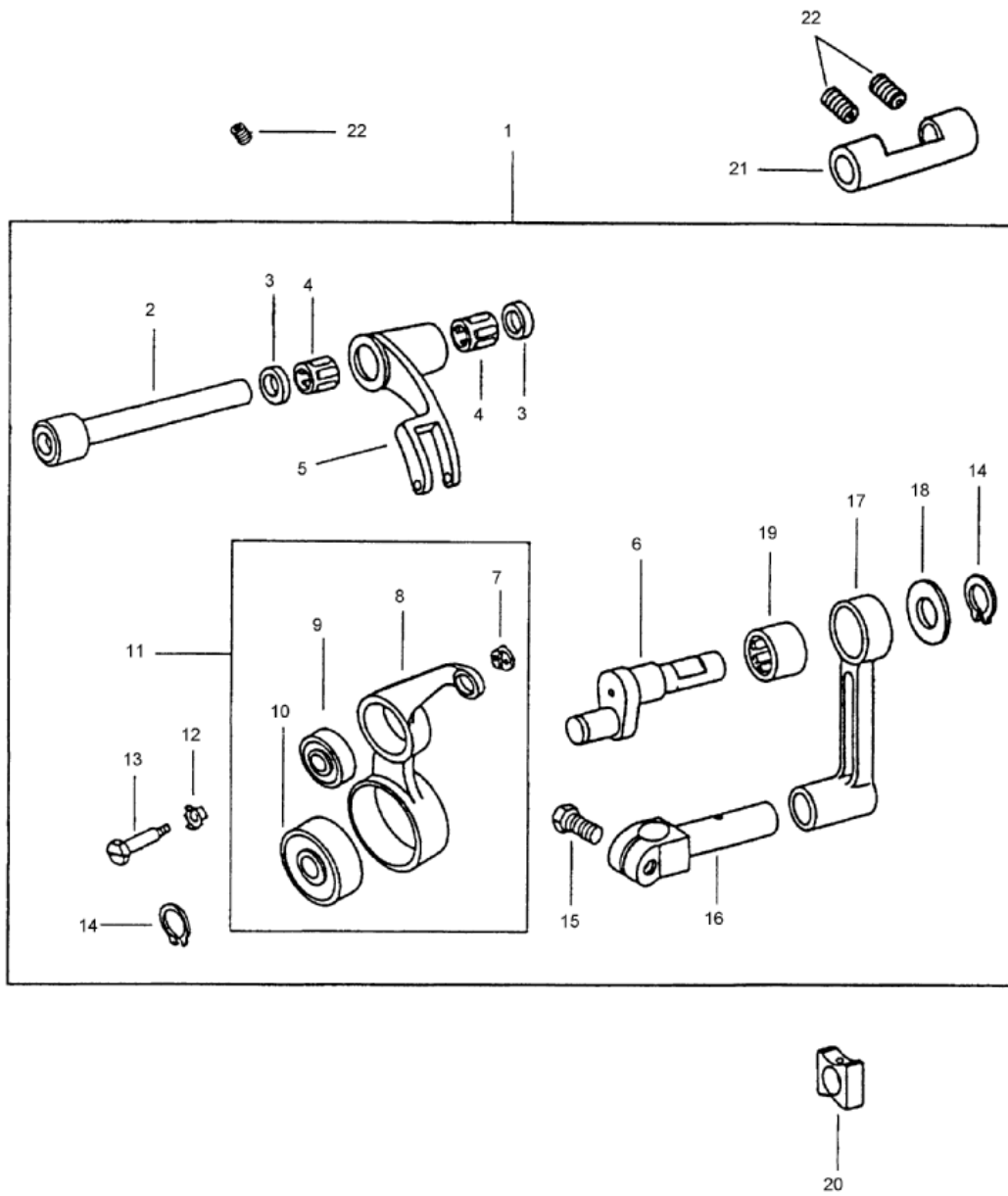
Ref.No.	Part No.	Name of Part	Q'ty
D3-1	GP/610280	Retaining Ring	1
D3-2	GP/119085	Washer	1
D3-3	GP/133283	Washer	6
D3-4	GP/215124	Needle Bearing	3
D3-5	GP/118600	Bushing	1
D3-10	GP/119084	Shaft	1
D3-11	GP/118601	Bushing	1
D3-12	GP/119521	Crank	1
D3-13	GP/130224	Screw (M5x0,8x12)	4
D3-14	GP/335902-1	Screw (M6x0,7x8)	2
D3-15	GP/119521-1	Crank	1
D3-16	GP/700689	Screw (M6x0,75x4,5)	3
D3-17	GP/118603	Bushing	1
D3-18	GP/118893	Collar	1



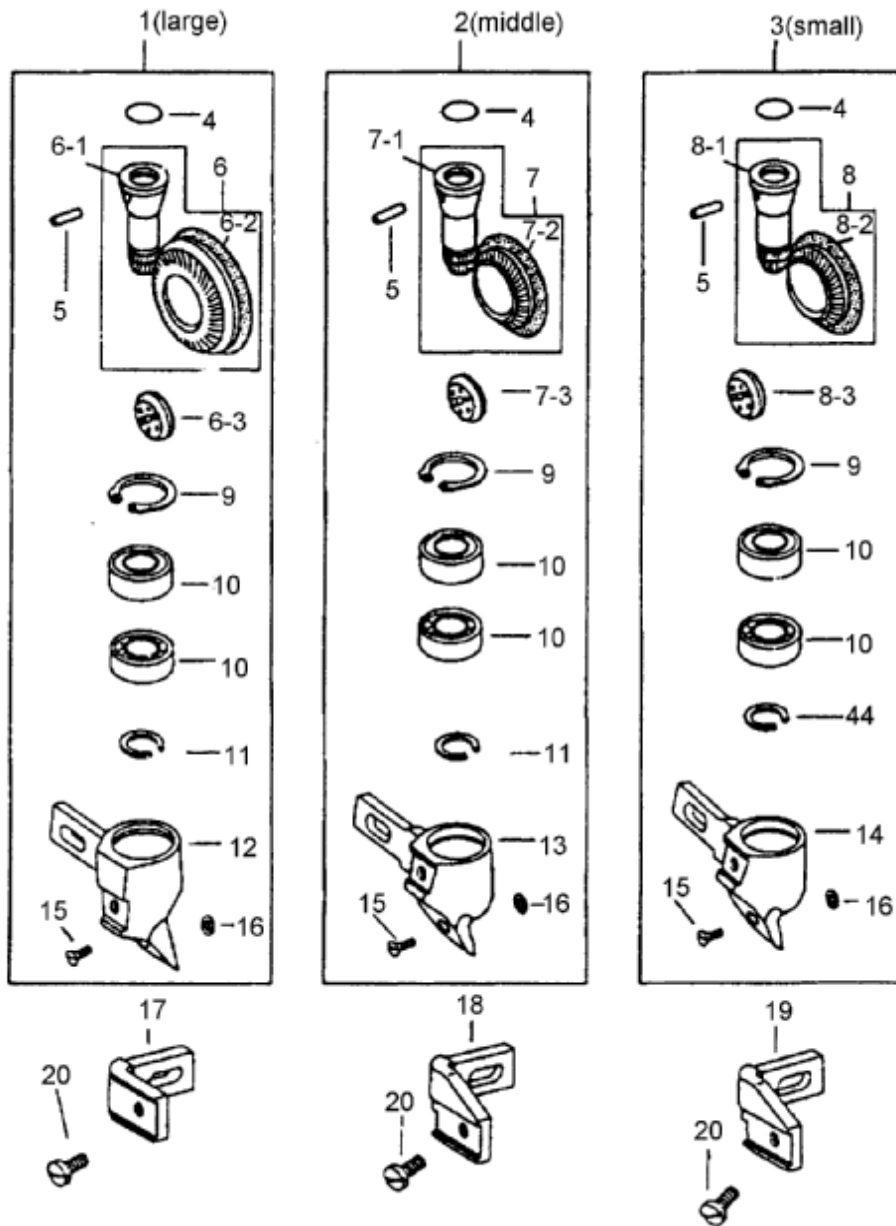
Ref.No.	Part No.	Name of Part	Q'ty
D4-1	GP/175038	Connecting Rod	1
D4-2	GP/069060	Ball Bearing	1
D4-3	GP/175038A	Crank Rod Set	1
D4-4	GP/215028	Needle Bearing	1
D4-5	GP/118612	Bearing Stud	1
D4-6	GP/165356	Feeding Adjusting Plate	1
D4-7	GP/165356-1	Screw (M5x0,8)	1
D4-8	GP/165356-8	Nut (M5x0,8x4)	1
D4-9	GP/165356-5	Spring	1
D4-10	GP/165356-7	E-Ring	1
D4-11	GP/165356-6	Spring	1
D4-12	GP/165356-2	Pin	1
D4-13	GP/165356-3	Screw (M6x1,0)	1
D4-14	GP/175029	Cam Assy	1
D4-14-1	GP/175029-1	Stitch Regulating Seat	1
D4-14-2	GP/175029-2	Stitch Regulating Fix Seat	1
D4-14-3	GP/175029-3	Feed Adjusting Screw	1
D4-14-4	GP/175029-4	Screw (9/64x40x12)	1
D4-14-5	GP/175029-5	Nut (9/64x40x2,5)	1
D4-14-6	GP/175029-6	Friction Plate	1
D4-14-7	GP/175029-7	Screw (M6x0,75x10)	1
D4-14-8	GP/175029-8	Screw (M6x0,75x10)	1
D4-14-9	GP/175029-9	Screw (11/64x40x2,5)	1
D4-14-10	GP/175029-10	Eccentric Wheel	1
D4-14-11	GP/175029-11	Spring	1
D4-14-12	GP/175029-12	Collar	1
D4-14-13	GP/175029-13	Screw (11/64x40x7)	2



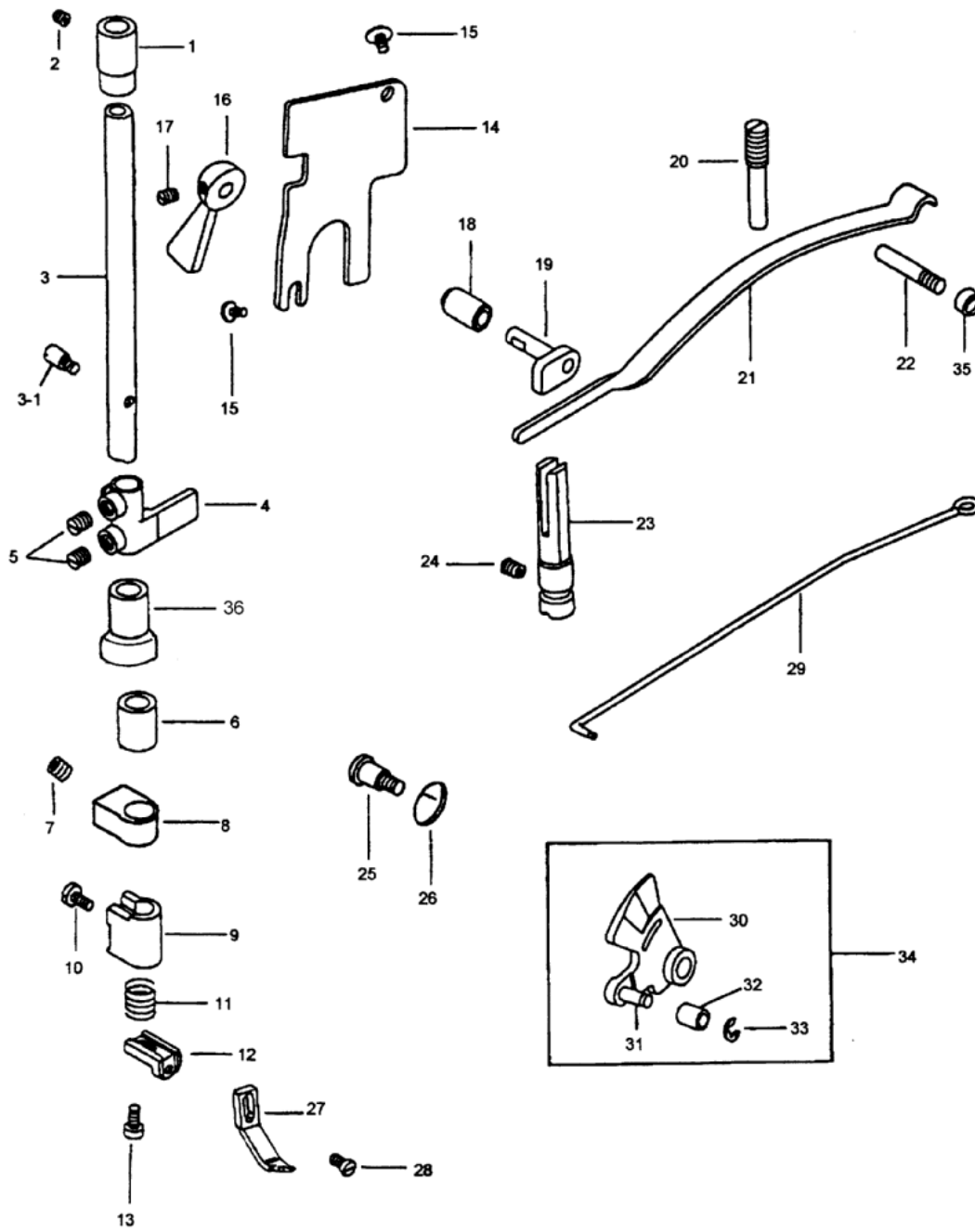
Ref.No.	Part No.	Name of Part	Q'ty
E-1	GP/118197	Needle Bar	1
E-2	GP/118196	Ring Clamp	1
E-3	GP/108174-1	Screw (M4x0,7x8)	1
E-4	GP/700868	Screw (1/8x44x3,5)	1
E-5	GP/700868-1	Screw (M3x0,5x4)	1
E-6	GP/118195	Needle Holder (2,8)	1
E-6	GP/118195-1	Needle Holder (2,4)	1
E-6	GP/118195-2	Needle Holder (3,2)	1
E-10	GP/175150	Pin	1
E-11	GP/215028	Needle Bearing	2
E-12	GP/169137	Washer (14x8,1x1mm)	2
E-13	GP/305305	Screw (M6x1,0x25)	2
E-14	GP/024191	Nut (M6x1,0x4,8)	2
E-15	GP/118612	Pin	1
E-16	GP/119718	Shaft (12x390)	1
E-16.l	GP/118545	Ewasher	1
E-17	GP/030310	Pin	1
E-18	GP/119046	Connecting Rod	1
E-19	GP/119525-2	Washer	1
E-20	GP/119718-2	Retaining Ring (12mm)	1
E-21	GP/118858	Spring Plate	1
E-22	GP/108285	Screw (M6x1,0x8)	1
E-23	GP/118857	Spring	1
E-24	GP/118543	Crank	1
E-25	GP/118544	Pin	1
E-26	GP/118543A	Crank Shaft	1
E-27	GP/640150	E-Ring	1
E-28	GP/020490	Spring Plate	2
E-29	GP/130224	Screw (M5x0,8x16)	1
E-30	GP/118600	Bushing	2
E-31	GP/215124	Needle Bearing	0
E-32	GP/133283	Washer	0
E-33	GP/118610	Crank	0
E-34	GP/108285-1	Screw (M6x1,0x1,4)	0
E-35	GP/130224	Screw (M5x0,8x12)	0
E-36	GP/173029	Oil Felt	1
E-37	GP/118594	Needle Bar Connecting Link Guide	1
E-38	GP/100355	Screw (M4x0,7x6)	2
E-39	GP/119014	Oil Felt	1
E-40	GP/119015	Holder	3
E-41	GP/706169	Screw (M4x0,7x4,5)	2
E-42	GP/119940	Needle Bar Holder	1
E-43	GP/119940-5	Needle Bar Bushing	1
E-44	GP/119940-4	Needle Bar Bushing	1



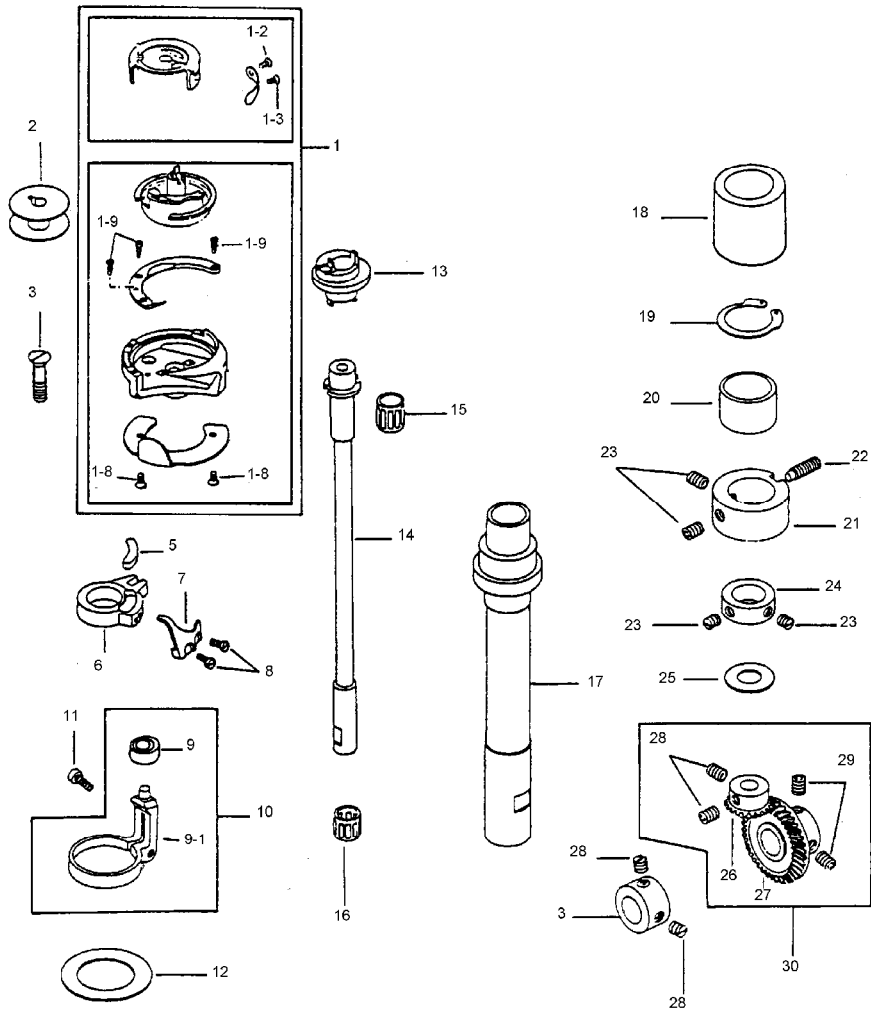
Ref.No.	Part No.	Name of Part	Q'ty
F-1	GP/118084	Thread Take-up Assy	1
F-2	GP/119009	Take-up Lever Support Stud	1
F-3	GP/168039	Washer	2
F-4	GP/215022	Needle Bearing	2
F-5	GP/119008	Take-up Frame	1
F-6	GP/119762	Take-up Crank Pin	1
F-7	GP/119049	Bushing	1
F-8	GP/119007	Take-up Lever	1
F-9	GP/167569	Ball Bearing	1
F-10	GP/167570	Ball Bearing	2
F-11	GP/119006	Take-up Lever	1
F-12	GP/168046	Washer	1
F-13	GP/168047	Screw (M4x0,7x13,5)	1
F-14	GP/610210	Retaining Ring	2
F-15	GP/039177	Screw (M4x0,7x12,5)	1
F-16	GP/119013	Needle Bar Connecting Stud	1
F-17	GP/119765	Needle Bar Connecting Crank Rod	1
F-18	GP/119763	Washer	1
F-19	GP/218080	Needle Bearing	1
F-20	GP/118518	Needle Bar Guide Slide Block	1
F-21	GP/168041	Bushing	1
F-22	GP/314220	Screw (M5x0,8x8)	3



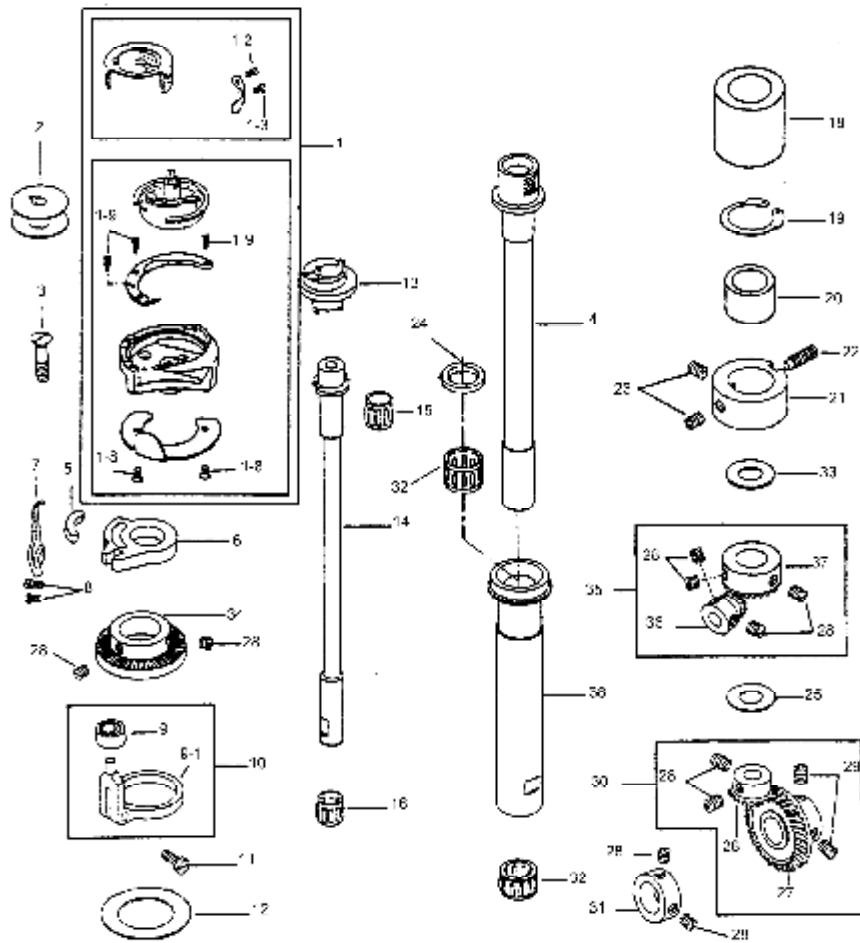
Ref.No.	Part No.	Name of Part	Q'ty
G1-1	GP/119803	Roller Preser Assy (Large)	1
G1-2	GP/119803-1	Roller Preser Assy (Middle)	1
G1-3	GP/119802	Roller Preser Assy (Small)	2
G1-4	GP/119469	Spring Washer	2
G1-5	GP/033145	Pin	1
G1-6	GP/175109	Gear	1
G1-6-1	GP/175109-1	Gear Presser Shaft	1
G1-6-2	GP/175109-2	Gear	1
G1-7	GP/175107	Gear	1
G1-7-1	GP/175107-1	Gear Presser Shaft	2
G1-7-2	GP/175107-2	Gear	1
G1-8	GP/175108	Gear	1
G1-8-1	GP/175108-1	Gear Presser Shaft	1
G1-8-2	GP/175108-2	Gear	2
G1-9	GP/664290	Retaining Ring	1
G1-10	GP/133116	Ball Bearing	2
G1-11	GP/518210	Retaining Ring	1
G1-12	GP/119953	Roller Presser Bracket	1
G1-13	GP/119943	Roller Presser Bracket	1
G1-14	GP/119956	Roller Presser Bracket	1
G1-15	GP/210043	Screw (M2,5x0,45x6)	1
G1-16	GP/119491	Washer	1
G1-17	GP/119807	Guide Seat	1
G1-18	GP/119955	Guide Seat	1
G1-19	GP/119954	Guide Seat	1
G1-20	GP/173174	Screw (M4x0,7x8)	1



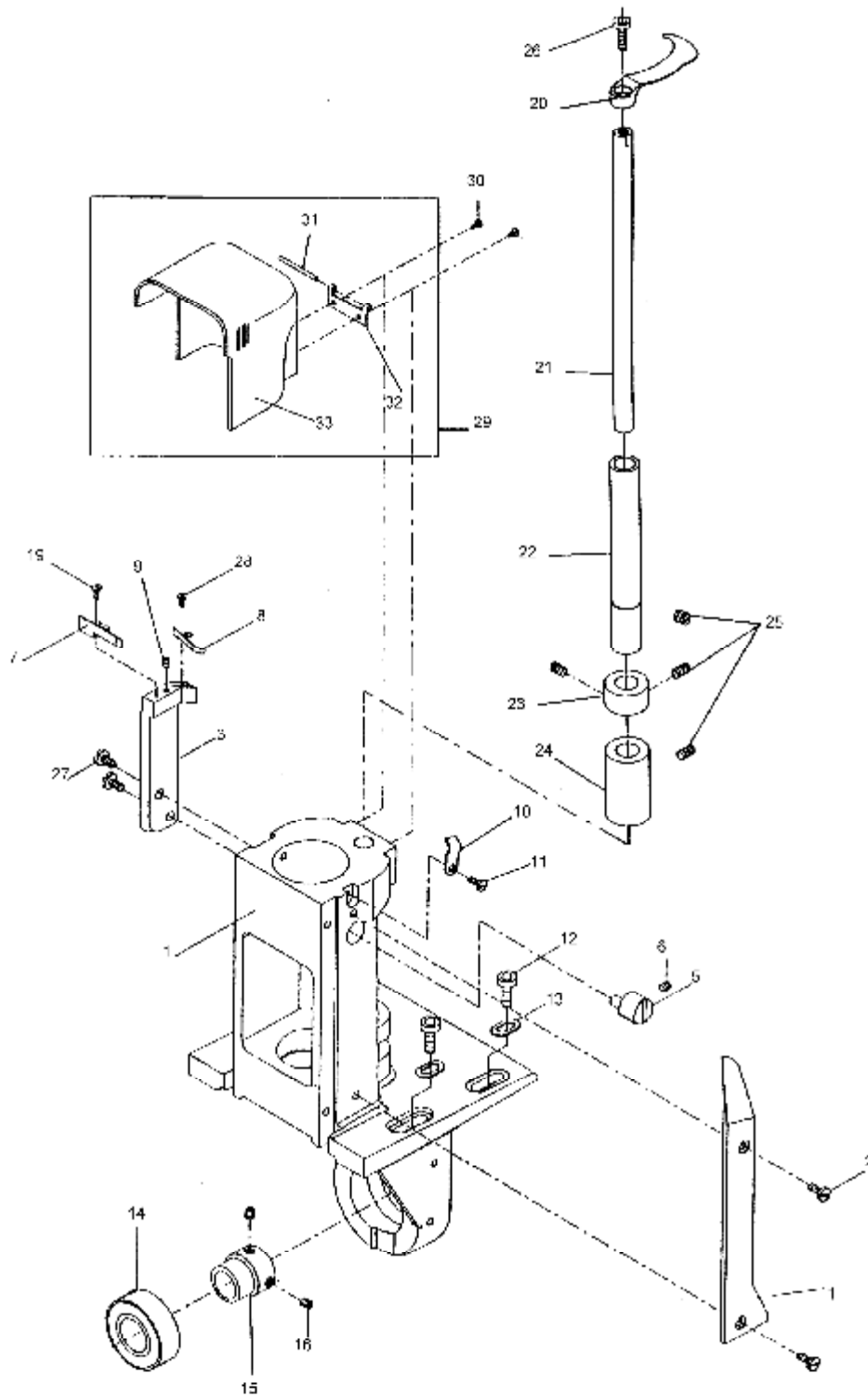
Ref.No.	Part No.	Name of Part	Q'ty
G2-1	GP/119019	Presser Bar Bushing (Upper)	1
G2-2	GP/700785	Screw (M5x0,8x6)	1
G2-3	GP/119018	Presser Bar Bushing (Upper)	1
G2-4	GP/118530	Presser Bar Holder	1
G2-5	GP/700510	Screw (M6x0,75x8)	2
G2-6	GP/119019-1	Presser Bar Bushing (Lower)	1
G2-7	GP/700510-1	Screw (M6x1,0x8)	1
G2-8	GP/119165-1	Roller Presser Holder	1
G2-9	GP/119165	Roller Presser Holder	1
G2-10	GP/173174	Screw (M4x0,7x8)	1
G2-11	GP/025874	Spring	1
G2-12	GP/054876	Angle	1
G2-13	GP/130173	Screw (M4x0,7x9)	1
G2-14	GP/175135	Cover	1
G2-15	GP/700335	Screw (M5x0,8x7)	2
G2-16	GP/069079	Presser Foot Lifter	1
G2-17	GP/317950	Screw (M5x0,8x6)	1
G2-18	GP/119004	Bushing	1
G2-19	GP/118577	Cam Shaft	1
G2-20	GP/100331	Screw (M8x0,75)	1
G2-21	GP/118535	Presser Plate Spring	1
G2-22	GP/343901	Screw (M6x1,0)	1
G2-23	GP/118105	Stud	1
G2-24	GP/314286	Screw (M6x1,0x8)	1
G2-25	GP/700017	Screw (M6x1,0)	1
G2-26	GP/119016	Spring	1
G2-27	GP/49657	Gauge/vodič (2,4mm-3/32")	*1
G2-27-1	GP/049657-1	Gauge/vodič (1,6mm-1/16")	*1
G2-28	GP/108171	Screw (M4x0,7x6)	1
G2-29	GP/118542	Knee Lifter Connecting Lever	1
G2-30	GP/118536	Spring Plate	1
G2-31	GP/118536-1	Pin	1
G2-32	GP/118539	Bushing	1
G2-33	GP/640150	E-Ring	1
G2-34	GP/118536A	Lifting Lever Assy	1
G2-35	GP/343902	Bushing	1
G2-36	GP/400-MG	Support/opěra	1



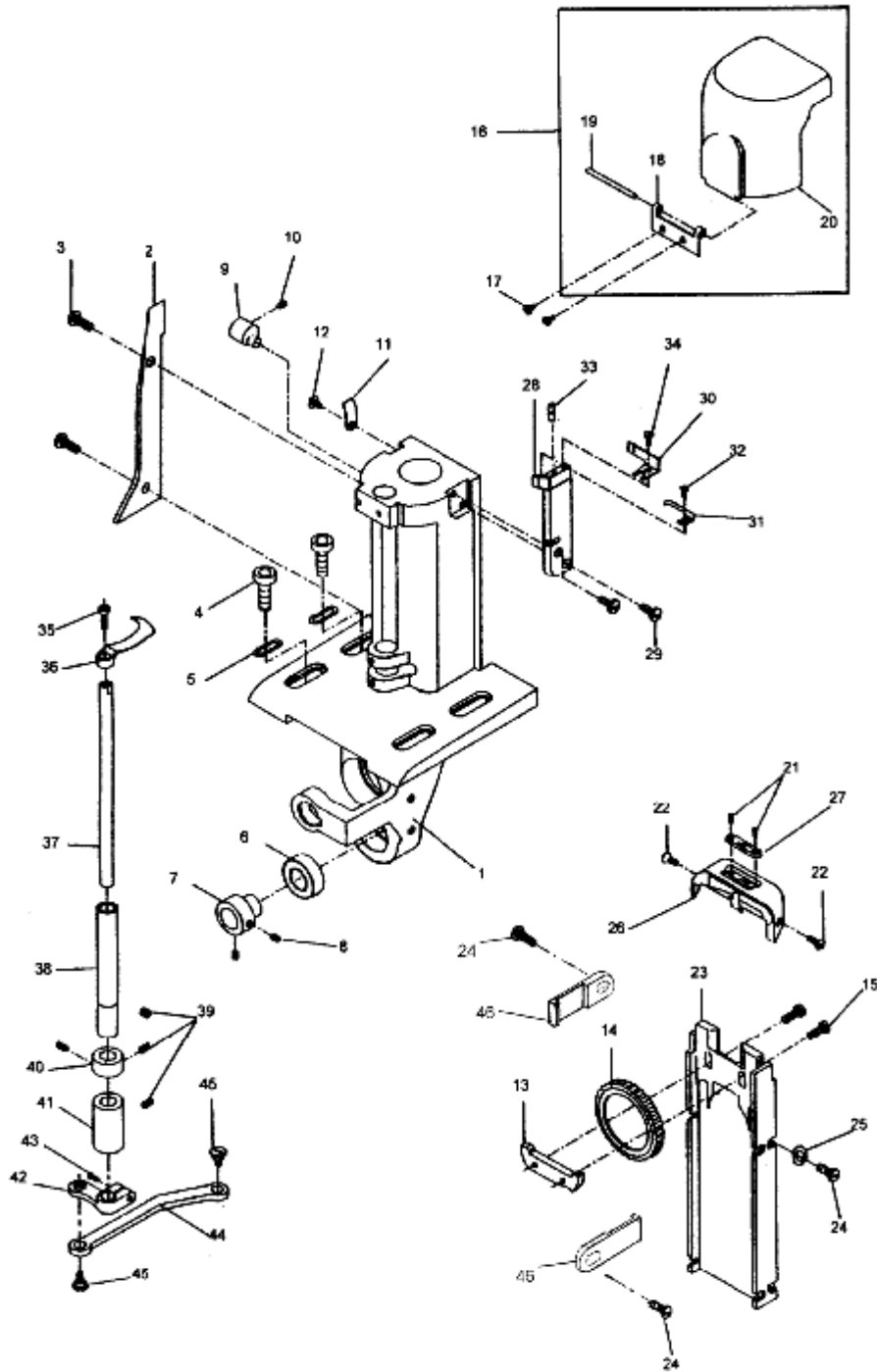
Ref.No.	Part No.	Name of Part	Q'ty
H1-1	GP/G-400-T	Hook Complete With Bobbin Case	1
H1-1-2	GP/G400T-017	Tension Spring Fastening Screw	1
H1-1-3	GP/G400T-018	Tension Spring Adjustment Screw	1
H1-1-8	GP/G400T-355	Needle Guard Fastening Screw	2
H1-1-9	GP/G400T-005	Hook Gib Fastening Screw	3
H1-2	GP/010079AL	Bobbin	1
H1-3	GP/100205	Screw	1
H1-5	GP/119128	Oil Felt	1
H1-6	GP/119127	Rotating Hook Opener Bracket	1
H1-7	GP/SM2-3.18	Rotating Hook Opener	1
H1-8	GP/108093	Screw (M3x0,5x6)	2
H1-9	GP/694 ZZ	Ball Bearing	1
H1-9-1	GP/119106-1	Driver	1
H1-10	GP/119106	Driver	1
H1-11	GP/108177	Screw (M4x0,7x10)	1
H1-12	GP/119105	Washer (35,5x26x1mm)	1
H1-13	GP/119525-1	Hook Driver	1
H1-14	GP/119525	Hook Shaft	1
H1-15	GP/215031	Needle Bearing	1
H1-16	GP/215028	Needle Bearing	1
H1-17	GP/119524	Feed Wheel Shaft	1
H1-18	GP/119979	Bushing	1
H1-19	GP/664390	Retaining Ring (26mm)	1
H1-20	GP/175138	Bushing	1
H1-21	GP/SM2-3.14	Bushing	1
H1-22	GP/SM2-3.20	Screw	1
H1-23	GP/341901	Screw (M6x0,75x6)	4
H1-24	GP/131088	Collar	1
H1-25	GP/125010	Washer (0,5)	2
H1-25-1	GP/122718	Washer (0,1)	1
H1-25-2	GP/125008	Washer (0,15)	1
H1-25-3	GP/125009	Washer (0,2)	1
H1-26	GP/119133-1	Bevel Gear (Small)	1
H1-27	GP/119133-2	Bevel Gear (Large)	1
H1-28	GP/700689	Screw (M6x0,75x4,5)	4
H1-29	GP/341901-1	Screw (M6x0,75x5)	2
H1-30	GP/119133	Gear Set	1
H1-31	GP/123788	Collar	1



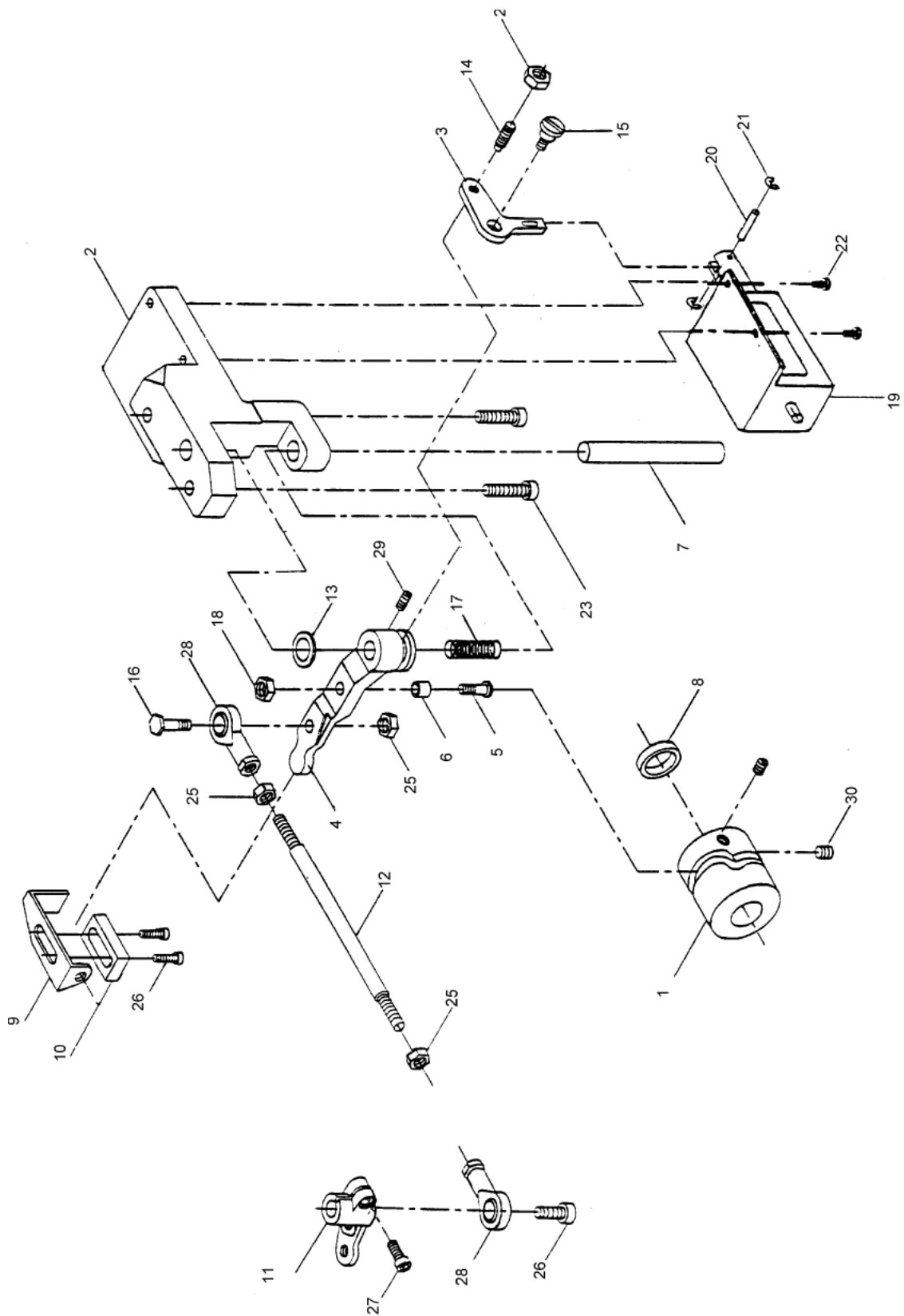
Ref.No.	Part No.	Name of Part	Q'ty
H2-1	GP/G-400-T	Hook Complete With Bobbin Case	1
H2-1-2	GP/G400T-017	Tension Spring Fastening Screw	1
H2-1-3	GP/G400T-018	Tension Spring Adjustment Screw	1
H2-1-8	GP/G400T-355	Needle Guard Fastening Screw	2
H2-1-9	GP/G400T-005	Hook Gib Fastening Screw	3
H2-2	GP/010079AL	Bobbin	1
H2-3	GP/100205	Screw	2
H2-4	GP/119108	Feed Wheel Shaft	1
H2-5	GP/119128	Oil Felt	1
H2-6	GP/119127	Rotating Hook Opener Bracket	1
H2-7	GP/SM2-3.18	Rotating Hook Opener	1
H2-8	GP/108093	Screw (M3x0,5x6)	2
H2-9	GP/694 ZZ	Ball Bearing	1
H2-9-1	GP/119106-1	Driver	1
H2-10	GP/119106	Driver Assy	1
H2-11	GP/108177	Screw (M4x0,7x10)	1
H2-12	GP/119105	Washer (35,5x26x1mm)	1
H2-13	GP/119525-1	Hook Driver	1
H2-14	GP/119525	Hook Shaft	1
H2-15	GP/215031	Needle Bearing	1
H2-16	GP/215028	Needle Bearing	1
H2-18	GP/119979	Bushing	1
H2-19	GP/664390	Retaining Ring (26mm)	1
H2-20	GP/175138	Bushing	1
H2-21	GP/SM2-3.14	Bushing	1
H2-22	GP/SM2-3.20	Screw (M6x1,0x25)	1
H2-23	GP/341901	Screw (M6x0,75x6)	2
H2-24	GP/119108-1	Washer	2
H2-25	GP/125010	Washer (0,5)	1
H2-25-1	GP/122718	Washer (0,1)	1
H2-25-2	GP/125008	Washer (0,15)	1
H2-25-4	GP/125009	Washer (0,2)	1
H2-26	GP/119133-1	Bevel Gear (Small)	1
H2-27	GP/119133-2	Bevel Gear (Large)	1
H2-28	GP/700689	Screw (M6x0,75x4,5)	8
H2-29	GP/341901-1	Screw (M6x0,75x5)	2
H2-30	GP/119133	Gear Set	1
H2-31	GP/123788	Collar	1
H2-32	GP/141710	Needle Bearing	2
H2-33	GP/119947	Washer	1
H2-34	GP/119494	Driving Wheel	1
H2-35	GP/119109	Bevel Gear Assy	1
H2-36	GP/119109-2	Bevel Gear (Small)	1
H2-37	GP/119109-1	Bevel Gear (Large)	1
H2-38	GP/119104	Pull - Off Shaft	1



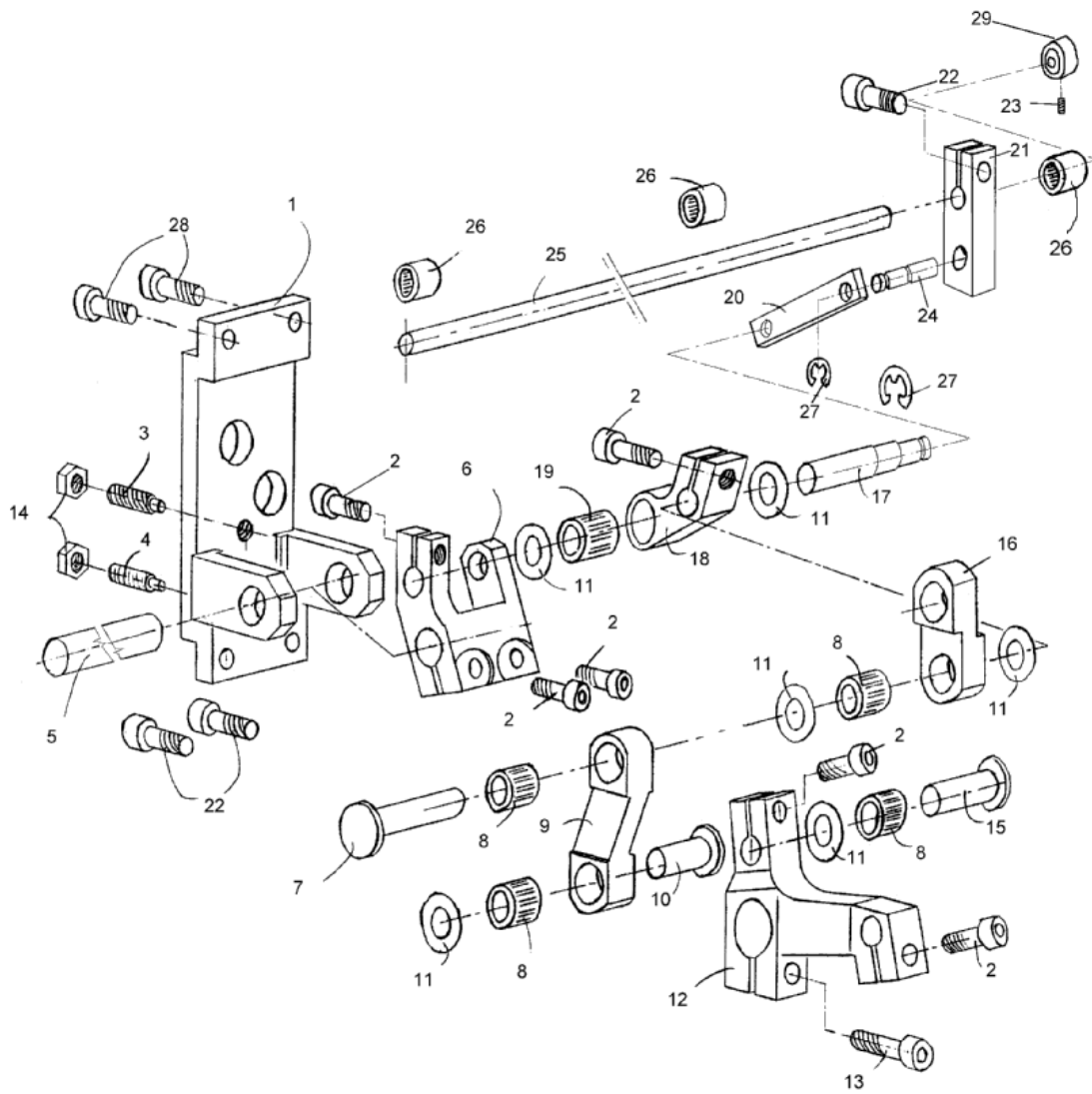
Ref.No.	Part No.	Name of Part	Q'ty
I1-1	GP/SM2-3.1M	Hook Post/chapačový sloupek	1
I1-2	GP/250084	Srew/šroub(M3x0.5x6)	2
I1-3	GP/SM4-26	Holder/držák pevného nože	1
I1-5	GP/175318	Stud/excentr	1
I1-6	GP/330217	Screw/šroub(M5x4.5)	1
I1-7	GP/SM4-4	Counter Knife/Pevný nůž	1
I1-8	GP/SM4-27	Hold Spring/přidržovací perko	1
I1-9	GP/SM4-24	Pin/excentrický čep	1
I1-10	GP/119143	Spring Plate/pružná západka	1
I1-11	GP/108093	Screw/šroub(M3x0,5x6)	1
I1-12	GP/135292	Screw/šroub(M6x1x15)	4
I1-13	GP/305174	Washer/podložka	4
I1-14	GP/016120	Ball Bearing/kul.ložisko	1
I1-15	GP/119121	Collar/pouzdro	1
I1-16	GP/700689	Screw/šroub (M x0,75x4,5)	2
I1-18	GP/119499	Cover Plate/kryt	1
I1-19	GP/SM4-25	Screw/šroub	1
I1-20	GP/SM4-28-2	Moving Knife/pohyblivý nůž	1
I1-21	GP/SM2-3.3	Trimming Shaft/odstřihová hřídel	1
I1-22	GP/SM2-3.6	Tube/trubka	1
I1-23	GP/SM2-3.5	Distance Ring/distanční kroužek	1
I1-24	GP/SM2-3.4	Housing/pouzdro	1
I1-25	GP/M4x5	Screw/šroub M4x5 DIN 916	4
I1-26	GP/M4x8	Screw/šroub M4x8 DIN 912	1
I1-27	GP/M4x8	Screw/šroub M4x8 DIN 84A	2
I1-28	GP/M2,5x6	Screw/šroub M2,5x6 DIN 84A	1
I1-29	GP/101076	Post Cap Assy/kryt chapače úplný	1
I1-30	GP/108093	Screw	2
I1-31	GP/101076-1	Pin/ čep	1
I1-32	GP/101076-2	Hinge/závěs	1
I1-33	GP/101076-3	Post Cap/kryt chapače	1



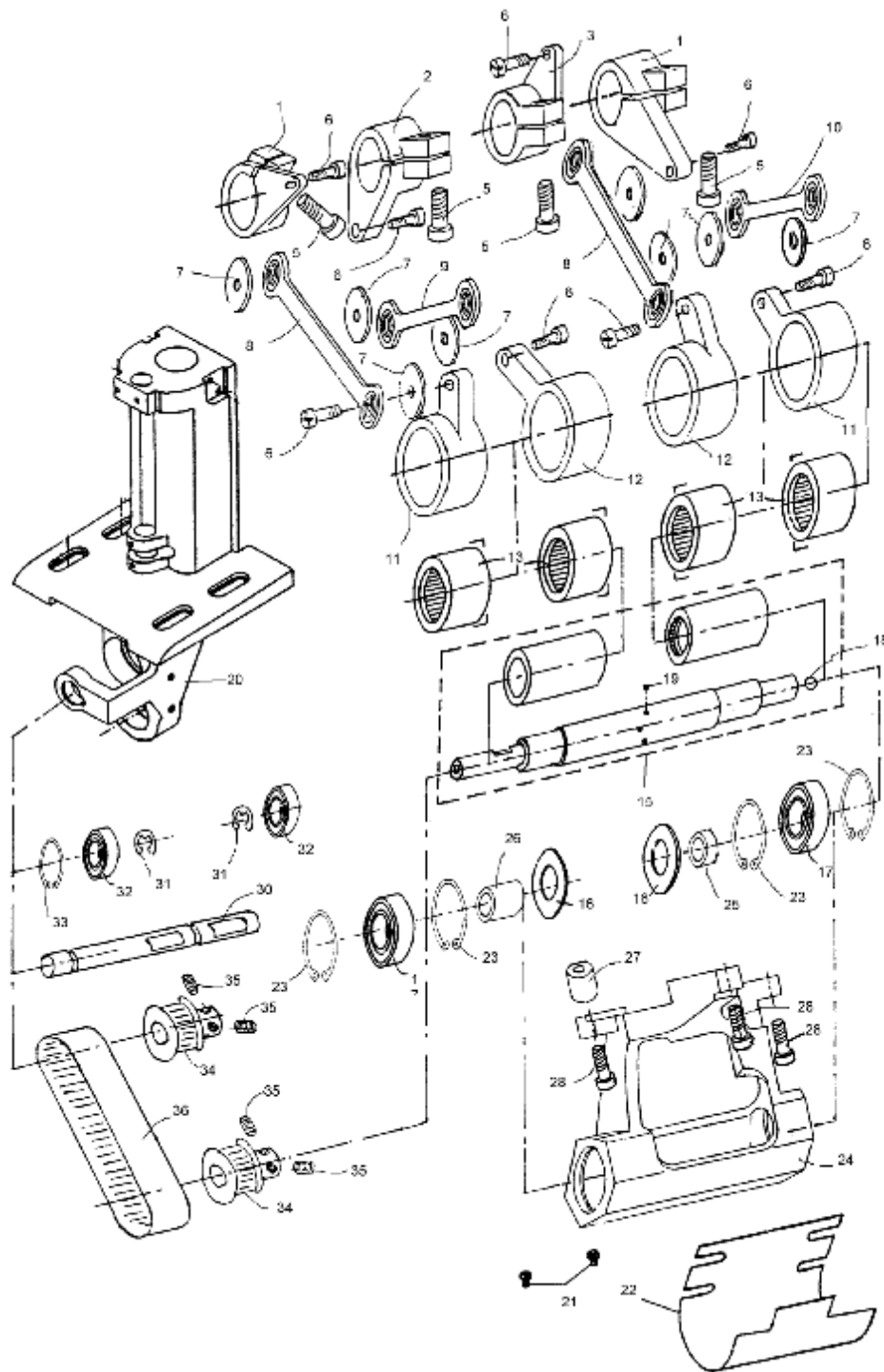
Ref.No.	Part No.	Name of Part	Qty
I2-1	GP/SM3-2	Hook Post/levý chapačový sloupek	1
I2-2	GP/119499	Cover Plate/kryt	1
I2-3	GP/250084	Screw/šroub (M3x0,5x6)	2
I2-4	GP/135292	Screw/šroub (M6x1x15)	4
I2-5	GP/305174	Washer/podložka	4
I2-6	GP/016120	Ball Bearing/kul.ložisko	1
I2-7	GP/119121	Collar/pouzdro	1
I2-8	GP/700689	Screw/šroub (M6x0,75x4,5)	2
I2-9	GP/175318	Stud/excentr	1
I2-10	GP/330217	Screw/šroub (M5x4,5)	1
I2-11	GP/119143	Spring Plate/pružná západka	1
I2-12	GP/108093	Screw/šroub (M3x0,5x6)	1
I2-13	GP/119138	Bearing Plate/přítl.deska podávacího kolečka	1
I2-14	GP/SM3-6	Feed Wheel/podávací kolečko-úpr. z 119136	1
I2-15	GP/108174-1	Screw/šroub (M3,5x0,6x10)	2
I2-16	GP/101076	Post Cap Assy/kryt chapače úplný	1
I2-21	GP/SM3-24	Screw/šroub M2,5x6-úprava z DIN 963	2
I2-22	GP/100296	Screw/šroub (M4x0,7x6,5)	2
I2-23	GP/119296	Support Plate/střední sloupek	1
I2-24	GP/108174-1	Screw/šroub (M4x0,7x8)	10
I2-25	GP/4BN1373	Washer/podložka 4	8
I2-26-1	GP/SM3-41	Needle Plate/stehová deska (1,6)	*1
I2-26-2	GP/SM3-51	Needle Plate/stehová deska (2,0)	*1
I2-26-3	GP/SM3-61	Needle Plate/stehová deska (2,4)	*1
I2-26-4	GP/SM3-71	Needle Plate/stehová deska (3,2)	*1
I2-27-1	GP/SM3-42	Needle Plate Insert/vložka (1,6)/Hole/otvor 1,1mm	*1
I2-27-2	GP/SM3-43	Needle Plate Insert/vložka (1,6)/Hole/otv. 1,4mm	*1
I2-27-3	GP/SM3-52	Needle Plate Insert/vložka (2,0)/Hole/otv. 1,4mm	*1
I2-27-4	GP/SM3-53	Needle Plate Insert/vložka (2,0)/Hole/otv. 1,6mm	*1
I2-27-5	GP/SM3-62	Needle Plate Insert/vložka (2,4)/Hole/otv. 1,6mm	*1
I2-27-6	GP/SM3-63	Needle Plate Insert/vložka (2,4)/Hole/otv. 1,8mm	*1
I2-27-7	GP/SM3-72	Needle Plate Insert/vložka (3,2)/Hole/otv. 1,6mm	*1
I2-28	GP/SM4-26	Holder/držák pevného nože	1
I2-29	GP/M4x8	Screw/šroub M4x8 DIN 84A	2
I2-30	GP/SM4-4	Counter Knife/pevný nůž	1
I2-31	GP/41-449-007	Hold Spring/přidržovací perko	1
I2-32	GP/M2,5x6	Screw/šroub M2,5x6 DIN 84A	1
I2-33	GP/SM4-24	Pin/excentr	1
I2-34	GP/SM4-25	Screw/šroub	1
I2-35	GP/M4x8	Screw/šroub M4x8 DIN 912	1
I2-36	GP/SM4-28-3	Moving knife/pohyblivý nůž	1
I2-37	GP/SM3-3	Trimming Shaft/odstřihová hřídel	1
I2-38	GP/SM2-3.6	Tube/trubka	1
I2-39	GP/M4x5	Screw/šroub M4x5 DIN 916	4
I2-40	GP/SM2-3.5	Distance ring/distanční kroužek	1
I2-41	GP/SM2-3.4	Housing/pouzdro	1
I2-42	GP/SM3-4	Trimming Bracket/odstřihová páka	1
I2-43	GP/M5x12	Screw/šroub M5x12 DIN 912	1
I2-44	GP/SM3-5	Rod/táhlo	1
I2-45	GP/SM3-9	Screw/šroub	2
I2-46	GP/SM3-36	Catch Clamp/třmen	2



Ref.No.	Part No.	Name of Part	Q'ty
J-1	GP/SM4-20	Cam/vačka	1
J-2	GP/SM4-21	Holder/držák odstřihového magnetu	1
J-3	GP/SM2-1.3	Lever/páka	1
J-4	GP/SM2-1.2	Bracket/rameno	1
J-5	GP/SM2-1.6	Pin/čep	1
J-6	GP/SM2-1.7	Roller/kladka	1
J-7	GP/SM2-1.5	Plug/trn	1
J-8	GP/SM2-1.19	Ring/kroužek	1
J-9	GP/SM2-1.10	Stopper/doraz	1
J-10	GP/SM2-1.11	Base/podložka	1
J-11	GP/SM2-3.2	Trimming bracket/odstřih. Rameno	1
J-12	GP/SM2-1.15	Rod/táhlo	1
J-13	GP/SM2-1.16	Base/podložka	1
J-14	GP/SM2-1.13	Screw/šroub	1
J-15	GP/SM2-1.9	Screw/šroub	1
J-16	GP/SM2-1.8	Screw/šroub	1
J-17	GP/SM2-1.14	Spring/pružina	1
J-18	GP/M4	Nut/matice M4 DIN 934	1
J-19	GP/EMSA6112-B	Solenoid/magnet EMSA 6112-B	1
J-20	GP/SM2-1.12	Pin/čep	1
J-21	GP/2,3	Locking plate for shaft/pojistný kroužek 2,3 DIN6799	2
J-22	GP/M4x8	Screw/šroub M4x8 DIN 84A	2
J-23	GP/M6x22	Screw/šroub M6x22 DIN 912	2
J-24	GP/M6	Nut/matice M6 DIN 934	1
J-25	GP/M5	Nut/matice M5 DIN 934	3
J-26	GP/M5x14	Screw/šroub M5x14 DIN 912	3
J-27	GP/M5x12	Screw/šroub M5x12 DIN 912	0
J-28	GP/SB PHS 5R	Rod.end.bearing/kloubové ložisko SB PHS 5R	2
J-29	GP/M5x6	Screw/šroub M5x6 DIN 916	1
J-30	GP/335902	Screw/šroub M6x0,75x10	2

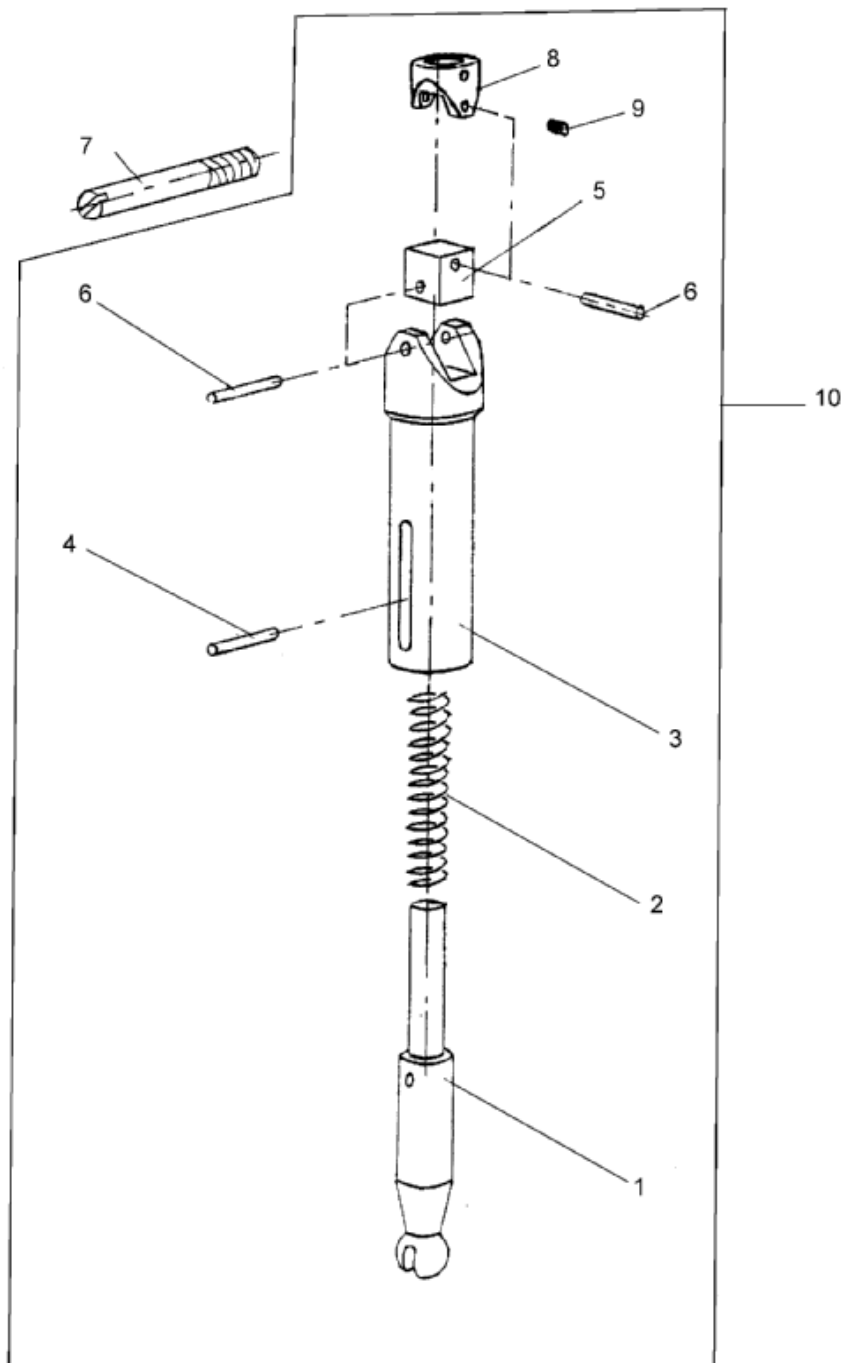


Ref.No.	Part No.	Name of Part	Q'ty
K1-1	GP/SM5-11.1	Holder/držák	1
K1-2	GP/M5x12	Screw/šroub M5x12 DIN 912	10
K1-3	GP/M5x16	Screw/šroub M5x16 DIN 915	1
K1-4	GP/M5x30	Screw/šroub M5x30 DIN 915	1
K1-5	GP/SM5-1.10	Shaft/hřídel	1
K1-6	GP/SM5-11.7	Crank/vidlice	1
K1-7	GP/SM5-1.14	Pin/čep	1
K1-8	GP/K8x11x10TN	Needle Bearing/jehl.věvec K8x11x10TN	4
K1-9	GP/SM5-11.4	Connecting Rod/ojnice 30	1
K1-10	GP/SM5-1.12	Pin/čep	1
K1-11	GP/BN 1976	Washer/podložka DIN 988 ,8x14x0,5	6
K1-12	GP/SM5-11.9	Rod/páka	1
K1-13	GP/M6x16	Screw/šroub M6x16 DIN 912	1
K1-14	GP/M5	Nut/matice M5 DIN 934	2
K1-15	GP/SM5-1.13	Pin/čep	1
K1-16	GP/SM5-1.5	Connecting Rod/ojnice 20	1
K1-17	GP/SM5-11.13	Pin/čep	1
K1-18	GP/SM5-11.8	Rod/rameno	1
K1-19	GP/K8x11x13TN	Needle Bearing/jehl.věvec K8x11x13TN	1
K1-20	GP/SM5-11.11	Rod/táhlo	1
K1-21	GP/SM5-11.12	Rod/rameno	1
K1-22	GP/M5x10	Screw/šroub M5x10 DIN 912	1
K1-23	GP/M4x4	Screw/šroub M4x4 DIN 916	2
K1-24	GP/SM5--4.6	Pin/čep	1
K1-25	GP/SM5-1.17	Shaft/hřídel	1
K1-26	GP/HK0608	Needle Bearing/jehl.ložisko HK 0608	3
K1-27	GP/4	Locking Plate For Shaft/poj kroužek 4 DIN6799	1
K1-28	GP/M5x14	Screw/šroub M5x14 DIN 912	2
K1-29	GP/SM5-1.21	Washer/kroužek	1

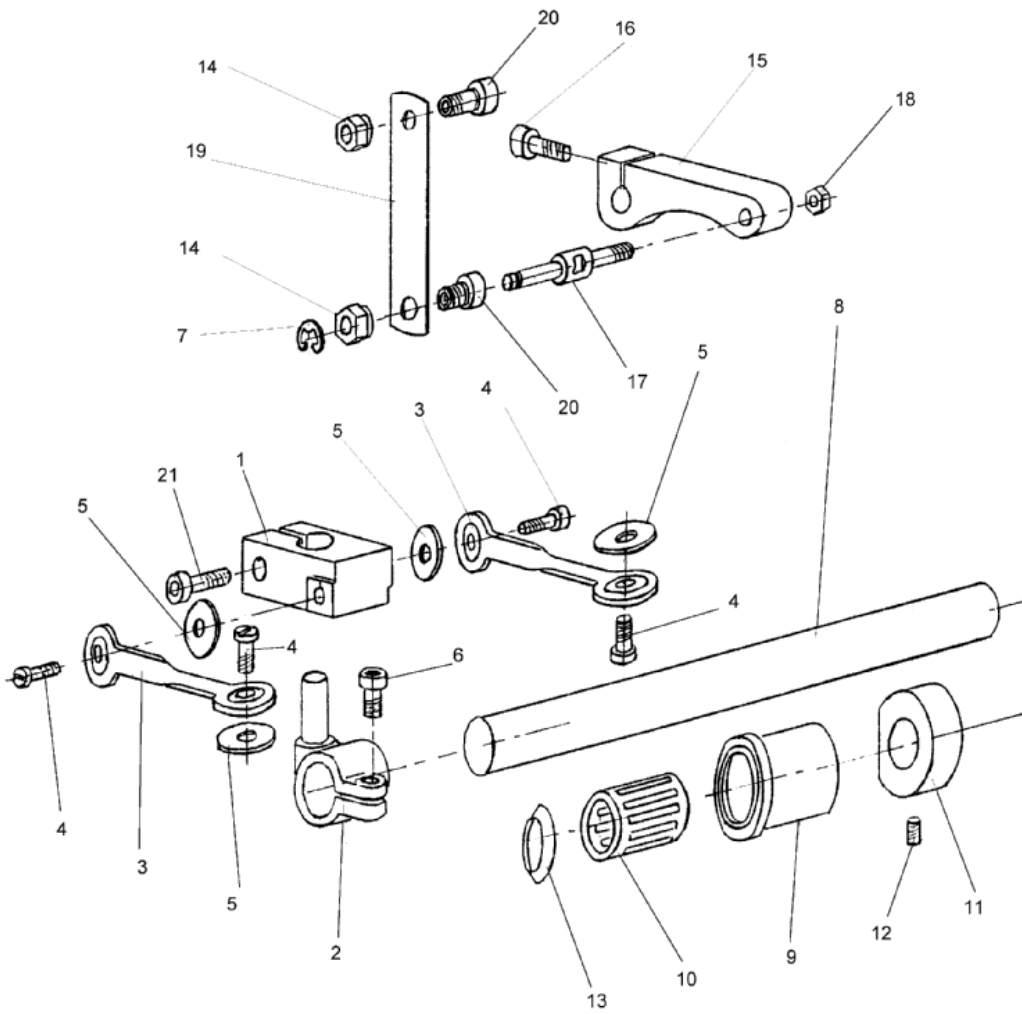


Ref.No.	Part No.	Name of Part	Q'ty
K2-1	GP/SM5-2.11	Rod/Rameno ZB	2
K2-2	GP/SM5-2.12	Rod/Rameno ZJ	1
K2-3	GP/SM9-1.6	Rod/rameno	1
K2-5	GP/M5x12	Screw/šroub M5x12 DIN 912	4
K2-6	GP/174176	Screw/šroub (M4x10)	8
K2-7	GP/119087	Oil Felt/plstěná podložka	8
K2-8	GP/SM5-S2.5	Rod/táhlo SB-ZJ	2
K2-9	GP/SM5-S2.7	Rod/táhlo ZB	1
K2-10	GP/SM9-1.7	Rod/táhlo	1
K2-11	GP/SM5-2.13	Bushing/pouzdro B	2
K2-12	GP/SM5-2.14	Bushing/pouzdro J	2
K2-13	GP/HF1616	Needle Bearing/volnoběžné pouzdro HF 1616	4
K2-15	GP/SM9-S21	Shaft-Set/Hřídel úplná	1
K2-16	GP/10x22/0,3	Washer/distanční podl. 10x22/0,3 DIN 988	2
K2-17	GP/6200-2Z	Bearing/ložisko 6200-2Z	2
K2-18	GP/RB-3,5	Ball/kulička RB - 3,5	1
K2-19	GP/RB-2	Ball/kulička RB - 2,5	6
K2-20	GP/SM3-2	Support Plate/levý sloupek	1
K2-21	GP/M6x6	Screw/šroub M6x6 DIN 912	2
K2-22	GP/SM9-1.13	Cover/kryt	1
K2-23	GP/30	Retaining Ring/pojistný kroužek 30 DIN 472	4
K2-24	GP/SM9-11.1	Bracket/těleso	1
K2-25	GP/SM9-1.5	Ring/distanční kroužek	1
K2-26	GP/SM9-1.4	Ring/distanční kroužek	1
K2-27	GP/SM9-1.10	Armrest/podpěra	1
K2-28	GP/M6x25	Screw/šroub M6x25 DIN 912	2
K2-29	GP/M6x30	Screw/šroub M6x30 DIN 912	1
K2-30	GP/SM9-1.8	Shaft/hřídel	1
K2-31	GP/5	Retaining Ring/pojistný kroužek 5 DIN 6799	2
K2-32	GP/627-2Z	Bearing/ložisko 627-2Z	2
K2-33	GP/664350	Retaining Ring/pojistný kroužek	1
K2-34	GP/SM9-1.9	Belt/řemenice úprava HTD-P20-3M-9	2
K2-35	GP/080112012	Screw/šroub M5x0,5 080 112.012	4
K2-36	GP/HTD210-3M-9	Indented Belt/ozub.řemen HTD 210-3M-9	1

Ref.No.	Part No.	Name of Part	Q'ty
K3-1	GP/SM5-S31N	Shaft-Set/hřídel úplná	1
K3-3	GP/SM5-31.37	Washer/kroužek	1
K4-4	GP/SM5-31.33	Oil Felt/plstěný kroužek	1
K3-5	GP/130224	Washer/podl.dist. DIN 988,10x16/0,5(+0,3)	1
K3-6	GP/BR19	Locking Plate/poj.kroužek BR19	4
K3-7	GP/GE10E	Bearing/kloubové ložisko GE 10 E	2
K3-8	GP/SM5-31.17	Holder/horní držák	1
K3-9	GP/3m6x20	Pin/kolík 3m6x20, DIN 6325	1
K3-10	GP/SM5-31.19	Rod/rameno	1
K3-11	GP/SM5-31.8	Pin/čep	1
K3-12	GP/M4	Nut/matice M4, DIN 934	1
K3-13	GP/2,3	Locking Plate/poj.kroužek 2,3 DIN 6799	1
K3-14	GP/M5x12	Screw/šroub M5x12 DIN 912	2
K3-15	GP/SM5-31.20	Washer/kroužek	1
K3-16	GP/SM3-16	Washer/podložka	3
K3-17	GP/HF1616	Needle bearing/volnoběžné pouzdro HF1616	2
K3-18	GP/SM5-31.26	Bushing/pouzdro J	1
K3-19	GP/SM5-31.25	Bushing/pouzdro B	1
K3-20	GP/16	Locking Plate/poj.kroužek 16 DIN 471	3
K3-21	GP/51100	Bearing/ložisko axiální 51100	1
K3-22	GP/SM5-31.28	Washer/kuželová podložka	1
K3-23	GP/SM5-31.27	Washer/kulová podložka	1
K3-24	GP/SM5-31.18	Holder/spodní držák	1
K3-25	GP/M5x16	Screw/šroub M5x16 DIN 912	2
K3-28	GP/RB-3,5	Ball/kulička RB-3,5	1
K3-29	GP/RB-2,5	Ball/kulička RB-2,5	3

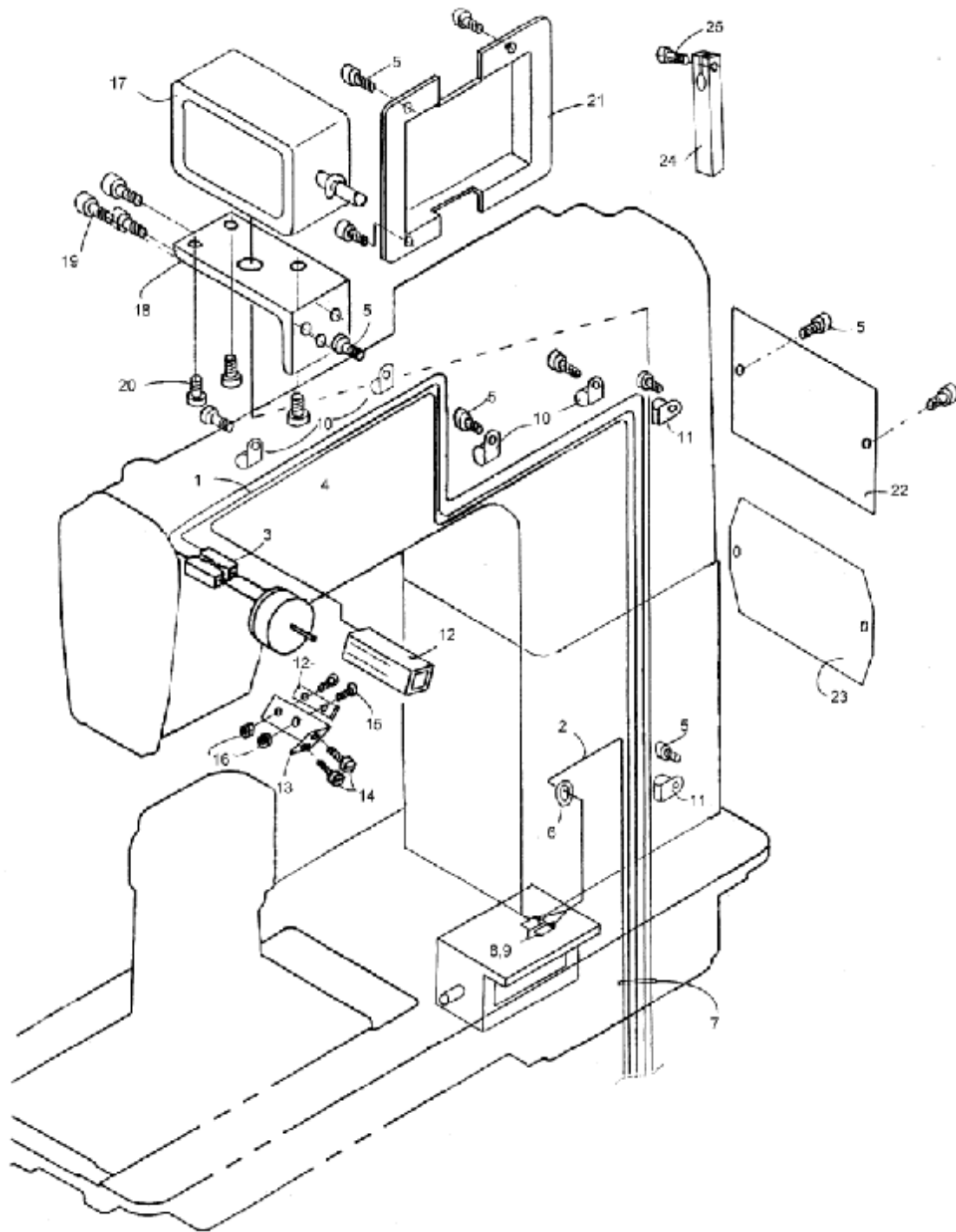


Ref.No.	Part No.	Name of Part	Q'ty
K4-1	GP/SM5-31.29	Shaft/hřídel s kulovým kloubem	1
K4-2	GP/SM5-31.36	Spring/tlačná pružina	1
K4-3	GP/SM5-31.31	Shaft/hřídel	1
K4-4	GP/2,5m6x12	Pin/kolík 2,5m6x12 DIN6325	1
K4-5	GP/SM5-31.32	Clutch/kloubová spojka	1
K4-6	GP/2m6x14	Pin/kolík 2m6x14 DIN 6325	2
K4-7	GP/M5x30	Screw/šroub M5x30 DIN 427	1
K4-8	GP/SM5-31.30	Universal Joint	1
K4-9	GP/M4x4	Screw M4x4 DIN 916	2
K4-10	GP/SM5-4	Complete set/kompletní hřídel	
		***Supplied only complete set SM5-4	

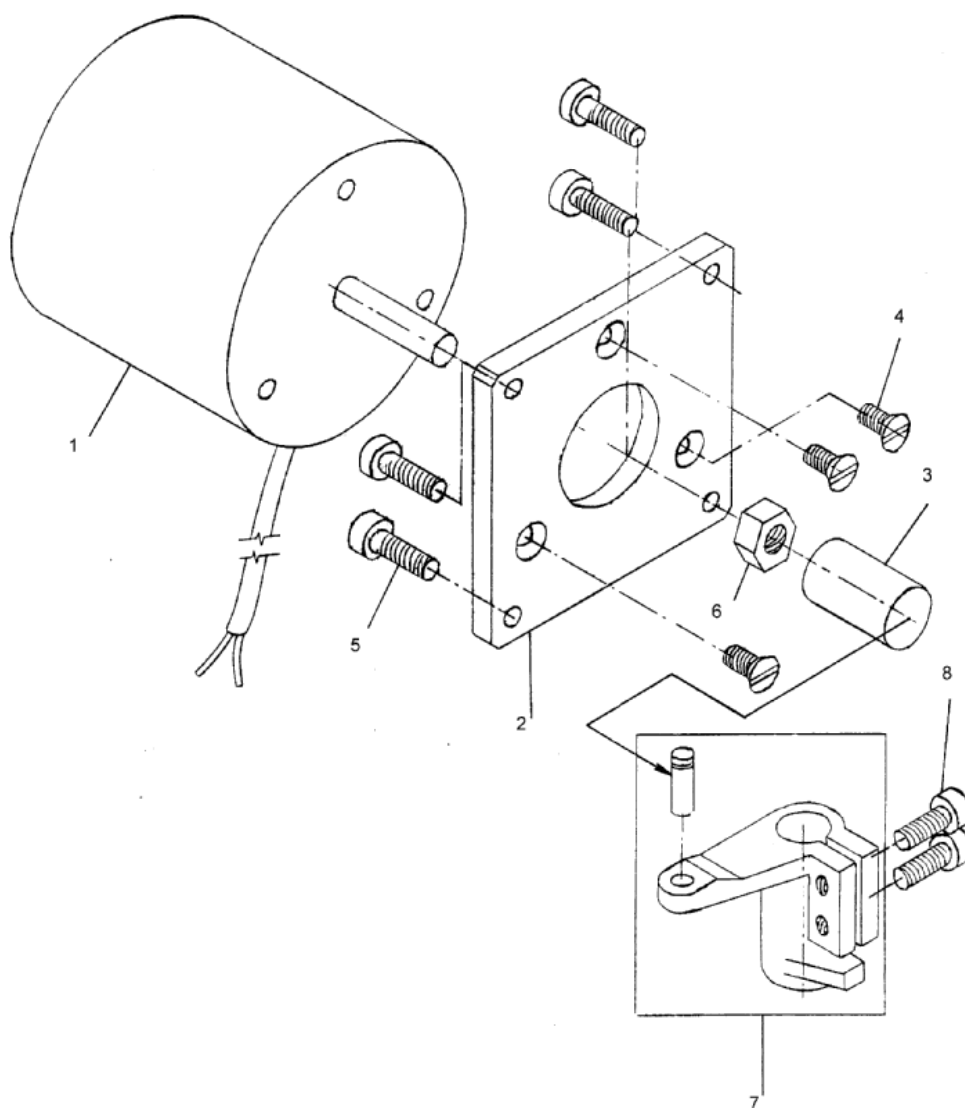


Ref.No.	Part No.	Name of Part	Q'ty
K5-1	GP/SM5-31.38	Holder/držák	1
K5-2	GP/119163	Crank/páka	1
K5-3	GP/119507	Link/táhlo	2
K5-4	GP/174176	Screw/šroub(M4x10)	4
K5-5	GP/119087	Oil Felt/plstěný kroužek	4
K5-6	GP/M5x12	Screw/šroub M5x12 DIN 912	2
K5-7	GP/2,3	Locking Plate/poj.kroužek 2,3 DIN 6799	1
K5-8	GP/SM5-41.20	Upper side shaft/hřídel	1
K5-9	GP/118600	Bushing/pouzdro	2
K5-10	GP/215124	Needle Bearing/jehl.ložisko	2
K5-11	GP/118504	Collar/kroužek	1
K5-12	GP/700689	Screw/šroub(M6x4,5)	1
K5-13	GP/133283	Washer/poj.kroužek	4
K5-14	GP/SM5-31.10	Nut/matice	2
K5-15	GP/SM5-31.12	Rod/rameno	1
K5-16	GP/M4x10	Screw/šroub M4x10 DIN 912	1
K5-17	GP/SM5-31.7	Pin/spodní čep	1
K5-18	GP/M4	Nut/matice M4 DIN934	1
K5-19	GP/SM5-31.11	Rod/táhlo	1
K5-20	GP/SM5-31.9	Bushing/puzdro	2
K5-21	GP/M5x14	Screw/šroub M5x14 DIN 912	1

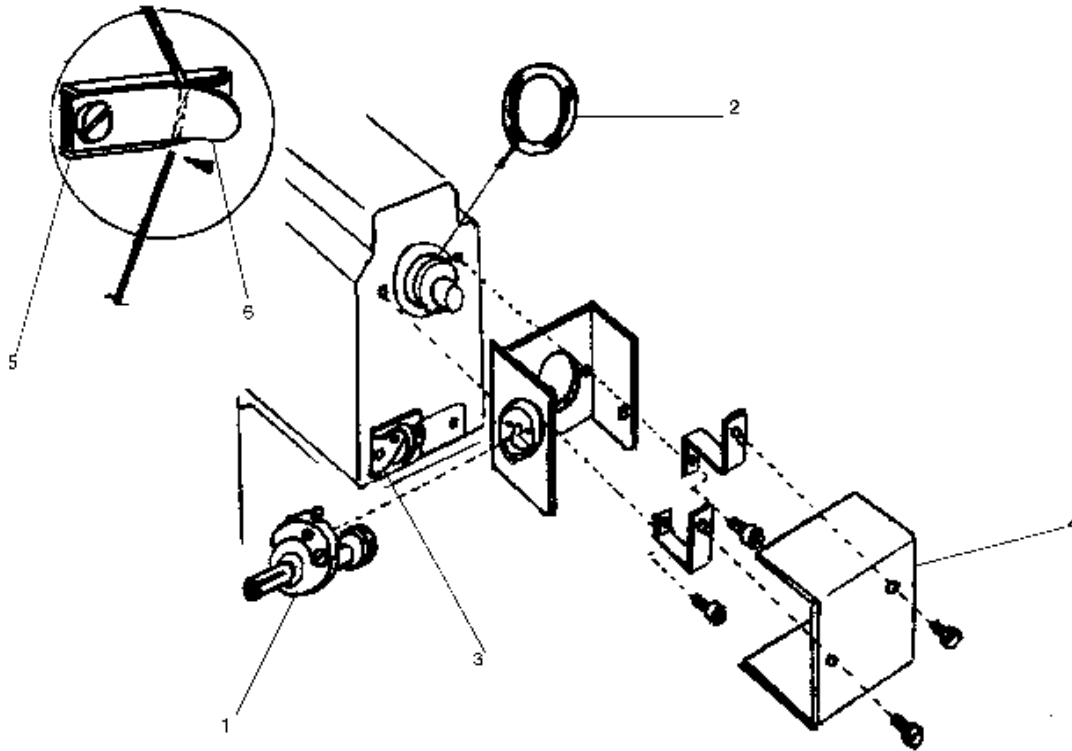
Ref.No.	Part No.	Name of Part	Q'ty
K6- 1	GP/SM9-21.6	Holder/držák vahadla B	1
K6- 2	GP/SM9-21.7	Balance Beam/vahadlo B	1
K6- 3	GP/SM9-21.5	Bearing Surface/opěrka	1
K6- 4	GP/SM9-2.4	Support/opěra	1
K6- 5	GP/SM9-2.3	Pin/čep	1
K6- 6	GP/SM5-2.8	Nut/matice	1
K6- 7	GP/SM9-2.5	Lever/táhlo úplné	1
K6- 8	GP/4	Washer/Podložka 4 DIN 9021	4
K6- 9	GP/SM5-41.13	Spring/pružina	1
K6- 10	GP/5x20	Washer/Podložka 5x20/1,5 BN 732	1
K6- 11	GP/M5x12	Screw/šroub M5x12 DIN 912	2
K6- 12	GP/4	Quicklock/pojistný kr. Quicklock 4 BN 833	3
K6- 13	GP/SM5-4.10	Rod/rameno	1
K6- 14	GP/SM5-4.13	Pin/čep	1
K6- 15	GP/SM5-4.2	Bushing/pouzdro	1
K6- 16	GP/M4x10	Screw/šroub M4x10 DIN 963A	3
K6- 17	GP/SM5-41.15	Rod/rameno	1
K6- 18	GP/SM5-4.14	Lever/táhlo úplné	1
K6- 19	GP/SM5-41.14	Rod/rameno	1
K6- 20	GP/M5x16	Screw/šroub M5x16 DIN 912	1
K6- 22	GP/HK0608	Needle Bearing/jehl.ložisko HK 0608	2
K6- 23	GP/5	Locking Plate For Shaft/poj.kr. 5 DIN 6799	2
K6- 24	GP/M5	Nut/matice M5 DIN 934	1
K6- 25	GP/M4x4	Srew/šroub M4x4 DIN 916	1
K6- 26	GP/M6x20	Screw/šroub M6x20 DIN 912	2
K6- 27	GP/M6x25	Screw/šroub M6x25 DIN 912	2



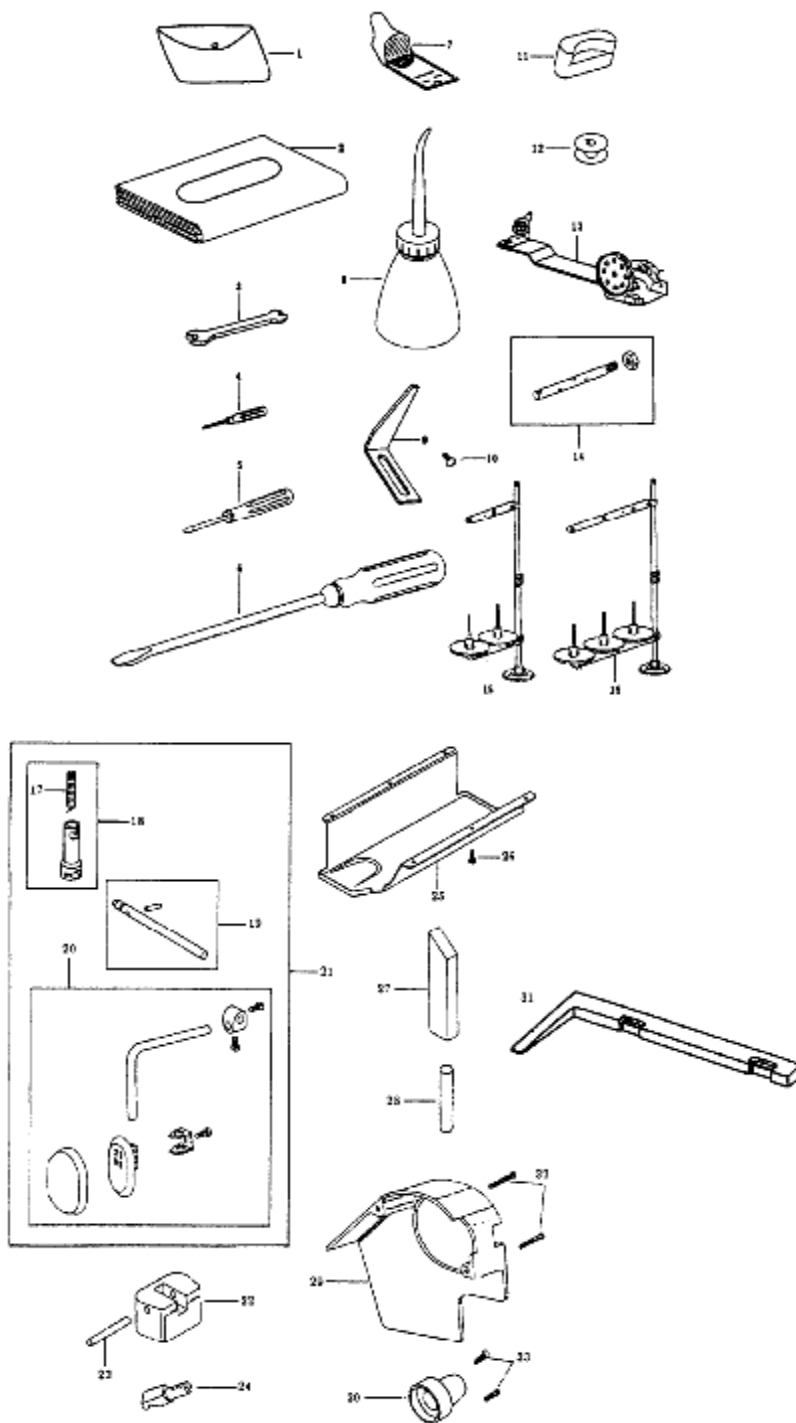
Ref.No.	Part No.	Name of Part	Q'ty
K8-1	GP/2x0,5	Cabel/vodič kruh.průřez 2x0,5,l=1,5m	1
K8-2	GP/2x0,5	Cabel/vodič kruh.průřez 2x0,5,l=1m	1
K8-3	GP/MATE-N-LOK	Connector MATE-N-LOK	1
K8-3-1	GP/1-480318-0	MATE-N-LOK/kryt dutinek 2P/kab	1
K8-3-2	GP/1-480319-0	MATE-N-LOK/kryt kolíků 2P/kab	1
K8-3-3	GP/0-163304-2	MATE-N-LOK/dutinka/0,5-1,0 Sn	2
K8-3-4	GP/0-163305-2	MATE-N-LOK/kolík/0,5-1,0 Sn	2
K8-4	GP/2x0,35	Cabel/vodič kruh.průřez 2x0,35,l=1,25m	1
K8-5	GP/M4x8	Screw/šroub M4x8 DIN 84A	11
K8-6	GP/656067	Trough Insert/průchodka F07105 B-10	1
K8-7	GP/115503	Cable Belt/kabelový pásek 2,5mmx100mm	4
K8-8	GP/602110	Connector/konektor 2,5	2
K8-9	GP/121032	Isolator/smršťovací izolace 3,2mm,l=30mm	2
K8-10	GP/4504	Cabel Clamp/kabel.držák CCS 38-S8-M	4
K8-11	GP/4505	Cabel Clamp/kabel.držák CCS 50-S8-C	2
K8-12	GP/SM5-S41.18	Push Button/tlačítko zpátkování	1
K8-12-1	GP/SM5-41.19	Prism/upevňovací prizma	1
K8-13	GP/SM5-41.16	Holder/držák	1
K8-14	GP/M4x6	Screw/šroub M4x6 DIN 84A	2
K8-15	GP/M3x5	Screw/šroub M3x5 DIN 963A	2
K8-16	GP/M3	Nut/matice M3 DIN 934	2
K8-17	GP/EMSA8215-B	Solenoid/magnet EMSA 8215-B	1
K8-18	GP/SM5-41.8	Holder/konzola	1
K8-19	GP/M6x14	Screw/šroub M6x14 DIN 912	3
K8-20	GP/M4x12	Screw/šroub M4x12 DIN 912	3
K8-21	GP/SM5-41.17	Cover/kryt	1
K8-22	GP/SM5-41.12	Cover/kryt	1
K8-23	GP/SM5-4.21	Cover/kryt	0
K8-24	GP/SM5-41.22	Bracket/rameno	1
K8-25	GP/M6x14	Screw/šroub M6x14 DIN 912	1



Ref. No.	Part No.	Name of Part	Q'ty
L- 1	GP/AEVS072-4	Solenoid/magnet AEVS 072-4 175W	1
L- 2	GP/SM8-1	Plate/držák	1
L- 3	GP/SM8-2	Plug/trn	1
L- 4	GP/M5x10	Screw/šroub M5x10 DIN 963A	3
L- 5	GP/M5x14	Screw/šroub M5x14 DIN 912	4
L- 6	GP/M8	Nut/matice M8 DIN 963	1
L- 7	GP/118543A	Crank Shaft/páka s čepem	1
L- 8	GP/130224	Screw/šroub (M5x12)	2



Ref. No.	Part No.	Name of Part	Q'ty
N1-1	GP/GU-100-030	Bobbin Winder	1
N1-2	GP/GP-941048	O-Ring 22x7	1
N1-3	GP/SM12-1.1	Thread Tension	1
N1-4	GP/GU-100-001	Bobbin Winder Bracket	1
N1-5	GP/GU-100-005	Bucket	1
N1-6	GP/GU100-006/7	Knife	1



Ref.No.	Part No.	Name of Part	Q'ty
N2-1	GP/123456	Accessory Bag	1
N2-2	GP/029836	Vinyl Cover	1
N2-3	GP/800110	Spanner	1
N2-4	GP/129915	Screw Driver (Small)	1
N2-5	GP/029946	Screw Driver (Middle)	1
N2-6	GP/029007	Screw Driver (Large)	1
N2-7	GP/134LR	Needle	10
N2-8	GP/029394	Oiler	1
N2-9	GP/119089-1	Stitching Length Indicator	1
N2-10	GP/100355	Screw	1
N2-11	GP/032808	Head Cushion	2
N2-12	GP/010079AL	Bobbin	4
N2-13	GP/259431	Bobbin Winder	1
N2-14	GP/119026	Spool Pin	1
N2-15	GP/FPL2	Thread Stand (2-Pole)	0
N2-16	GP/FPL3	Thread Stand (3-Pole)	1
N2-17	GP/171543	Spring	1
N2-18	GP/171542	Knee Lever Coupling	1
N2-19	GP/171413	Knee Lever Rod	1
N2-20	GP/171412	Knee Lever Assy	1
N2-21	GP/171411	Knee Lever Rod Assy	1
N2-22	GP/029934	Hinge Connection Seat	2
N2-23	GP/030341	Pin	2
N2-24	GP/029450	Hinge Pin	2
N2-25	GP/118636	Oil Pan	1
N2-26	GP/460157	Screw	6
N2-27	GP/032717	Head Rest Wood	1
N2-28	GP/032717-1	Housing Support Stud	1
N2-29	GP/119078	Belt Cover Set (Large)	1
N2-30	GP/119088	Belt Cover Set (Small)	1
N2-31	GP/119999	Wedge	1
N2-32	GP/119089-2	Screw	2
N2-33	GP/119078-1	Screw	2

