

Katalog ND  
Spare Parts List

GARUDAN®

**GP-410-145(9)**



ANITA B, s.r.o.

Hliníky 2068

680 01 Boskovice

Czech Republic

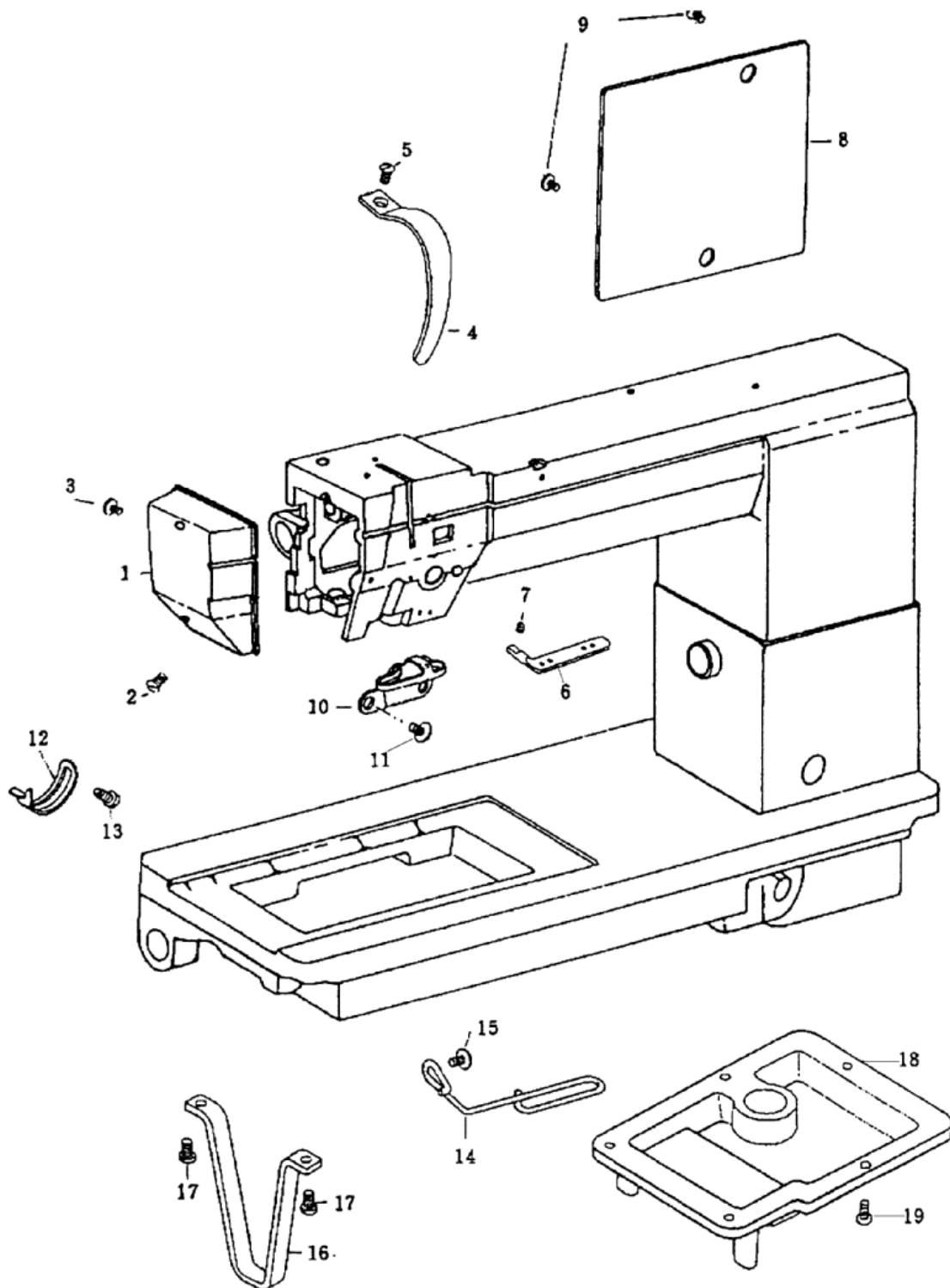
tel: +420 516454774, 516453496

fax: +420 516452751

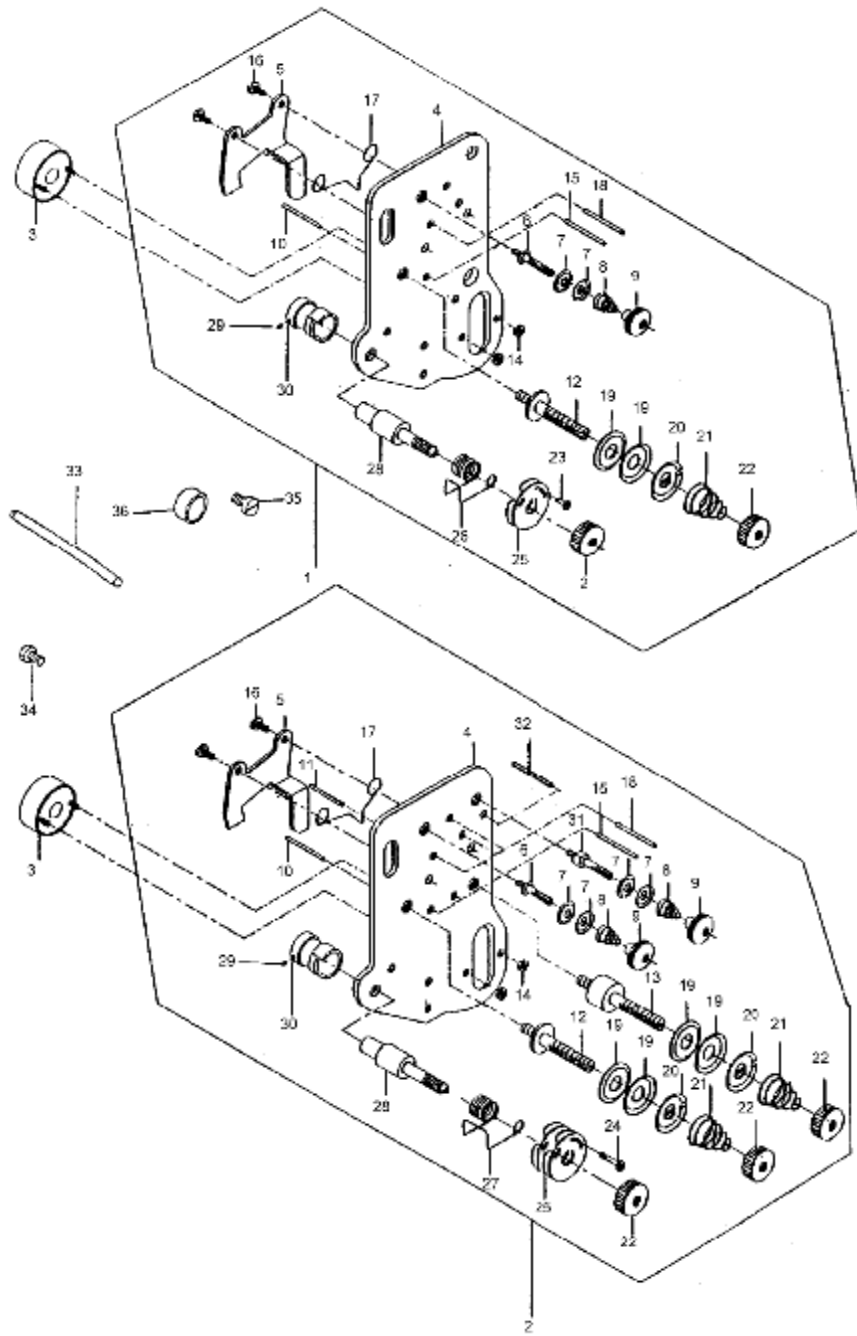
e-mail: [info@anita.cz](mailto:info@anita.cz)

## Spare Parts Lists

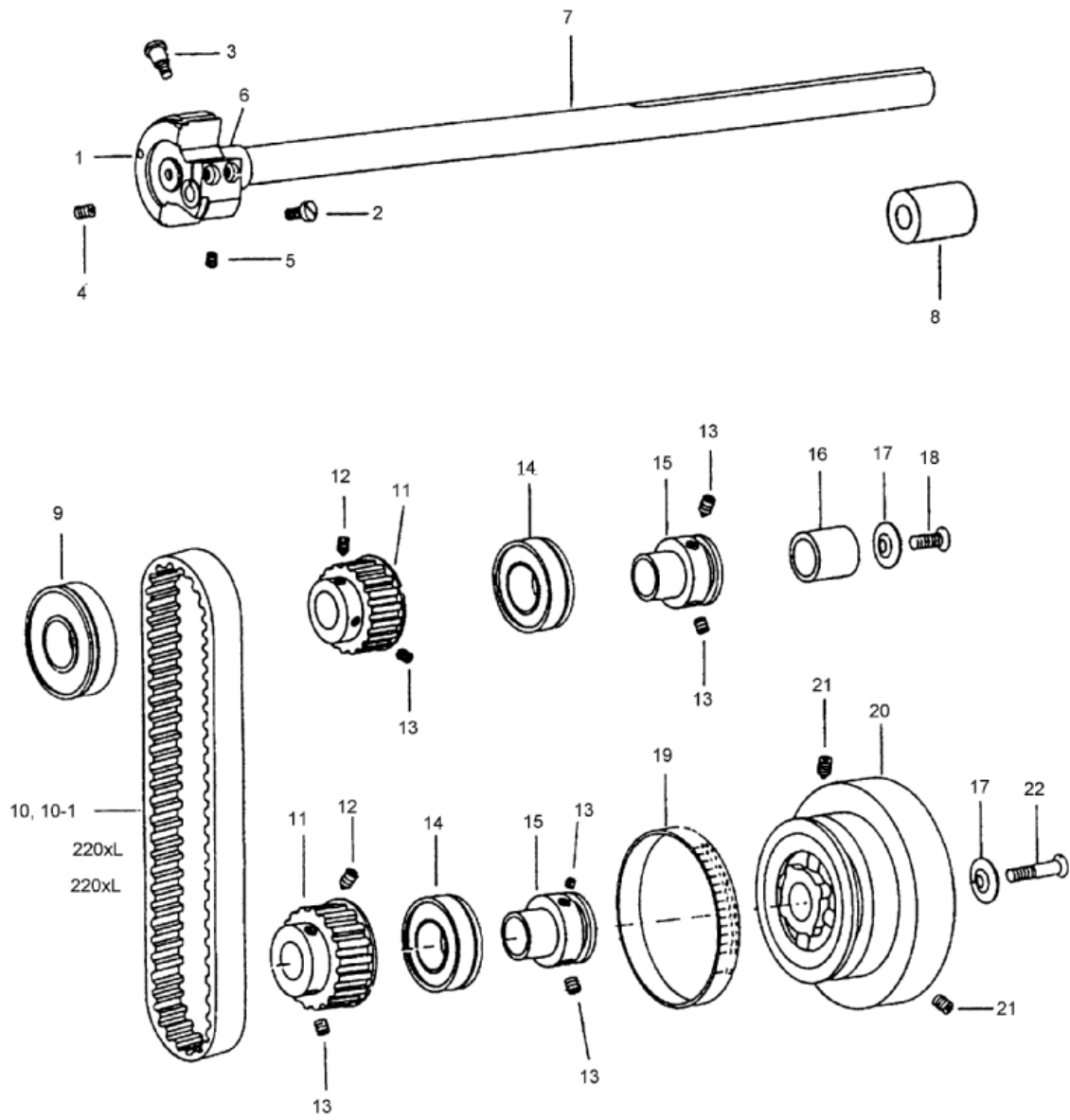
<b>A1</b>	Frame and Cover Parts.....	18,19
<b>A2</b>	Thread Tension Mechanism.....	20,21
<b>B</b>	Upper Shaft Mechanism.....	22,23
<b>C1</b>	Lower Shaft and Clutch Mechanism.....	24,25
<b>C2</b>	Timing Belt DrivingMechanism.....	26,27
<b>D1</b>	Needle Feed and Driven Roller Mechanism.....	28,29
<b>D2</b>	Lower Feed Mechanism.....	30,31
<b>D3</b>	Feed Shaft Mechanism.....	32,33
<b>D4</b>	Stitch Adjuster Mechanism.....	34,35
<b>E</b>	Needle Bar and Presser Foot Mechanism.....	36,37
<b>F</b>	Thread Take-Up Lever Mechanism.....	38,39
<b>G1</b>	Roller Presser Foot Mechanism.....	40,41
<b>G2</b>	Presser Foot Bar Mechanism.....	42,43
<b>H1</b>	Right Side Hook Mechanism.....	44,45
<b>I1</b>	Right Side Hook Post Mechanism.....	46,47
<b>I3</b>	Lef Side Post Mechanism.....	48,49
<b>J</b>	Knife Actuating Mechanism.....	50,51
<b>L</b>	Auto Presser Lifting Solenoid Mechanism.....	52
<b>N1</b>	Bobbin Winder.....	53
<b>N2</b>	Accesories.....	54,55
<b>P</b>	Electric Accessory.....	56,57



Ref.No.	Part No.	Name of Part	Q'ty
A1-1	GP/119687	Face Plate	1
A1-2	GP/108246	Screw (M5x0,8x25)	1
A1-3	GP/108234	Screw (M5x0,8x35)	1
A1-4	GP/168061	Thread Take-up Cover	1
A1-5	GP/210210	Screw (M5x0,8x8)	1
A1-6	GP/119027	4 Hole Thread Retainer	1
A1-7	GP/314946	Screw (M4x0,7x4)	1
A1-8	GP/119039	Arm Side Cover	1
A1-9	GP/700335	Screw (M5x08x7)	2
A1-10	GP/118430	Thread Guide Wire	1
A1-11	GP/700335	Screw (M5x08x7)	1
A1-12	GP/119025	Stopper	1
A1-13	GP/700082	Screw (M4x07x4,5)	1
A1-14	GP/119686	Thread Guide Wire	1
A1-15	GP/700335	Screw (M5x08x7)	1
A1-16	GP/119092	Bracket	1
A1-17	GP/M6x40	Screw (M6x40 DIN 912)	2
A1-18	GP/119091	Bottom Cover	1
A1-19	GP/108225	Screw (M5x0,8x10)	5



Ref.No.	Part No.	Name of Part	Q'ty
A2-1	GP/119766-2	Thread Tension Regulator Assy/deska nap.úpl.	1
A2-2	GP/119171-25	Thread Tension Regulator Assy/deska nap.úpl.	0
A2-3	GP/EGS3221	Solenoid/magnet EGS 3221	1
A2-4	GP/SM4-6	Base Plate/deska napínačů	1
A2-5	GP/SM2-2.6	Bracket/rameno	1
A2-6	GP/SM3-11-1	Screw/šroub pomoc.napínače,úpr. Z 3-0155	1
A2-7	GS/3-0156	Brake Plate/misky pomocného napínače	2
A2-8	GP/SM4-22	Conus Spring/pružina pomocného napínače	1
A2-9	GS/3-0158	Nut/matice pomocného napínače	1
A2-10	GP/SM2-2.8	Pin/kolík	1
A2-11	GP/SM3-32	Pin/kolík	0
A2-12	GP/119171-16	Thread Tension Stud/šroub napínače	1
A2-13	GP/SM3-10	Thread tension stud/šroub napínače	0
A2-14	GP/DIN934-M2,5	Nut/matice M2,5 DIN 934	2
A2-15	GP/JV2,0x13,8	Pin/kolík-jehla JV2,0x13,8	1
A2-16	GP/119171-12	Screw/šroub	2
A2-17	GP/119171-13	Tension Release Spring/pružina napínače	1
A2-18	GP/JV2,5x13,8	Pin/kolík-jehla JV2,5x13,8	1
A2-19	GP/119171-5	Tension Disc/misky napínače	2
A2-20	GP/119171-22	Tension Disc Washer/podložka napínače	1
A2-21	GP/119171-3	Tension Spring/pružina napínače	1
A2-22	GP/119171-1	Nut/matice napínače	2
A2-23	GP/119171-23	Screw/šroub (M2,5x8 DIN 84A)	1
A2-24	GP/119171-24	Screw/šroub (M2,5x12 DIN 84A)	0
A2-25	GP/119171-2	Spring Guide Assy/miska upravovací pružiny	1
A2-26	GP/119766-1	Thread Take-up Spring/upravovací pružina	1
A2-27	GP/119171-4	Thread Take-up Spring/upravovací pružina	0
A2-28	GP/119171-6	Thread Tension Stud/šroub	1
A2-29	GP/119171-7	Screw/šroub	1
A2-30	GP/119171-8	Thread Tension Regulator Bushing/pouzdro	1
A2-31	GP/SM3-11-2	Screw/šroub pomoc.napínače,úpr. z 3-0155	0
A2-32	GP/JV2,5x21,8	Pin/kolík-jehla JV2,5x21,8	0
A2-33	GP/118553	Tension Releasing Pin/kol.vypínání napínače	1
A2-34	GP/175096-1	Screw/šroub	1
A2-35	GP/700412	Screw/šroub	1
A2-36	GP/700412-1	Bushing/distanční kroužek	1

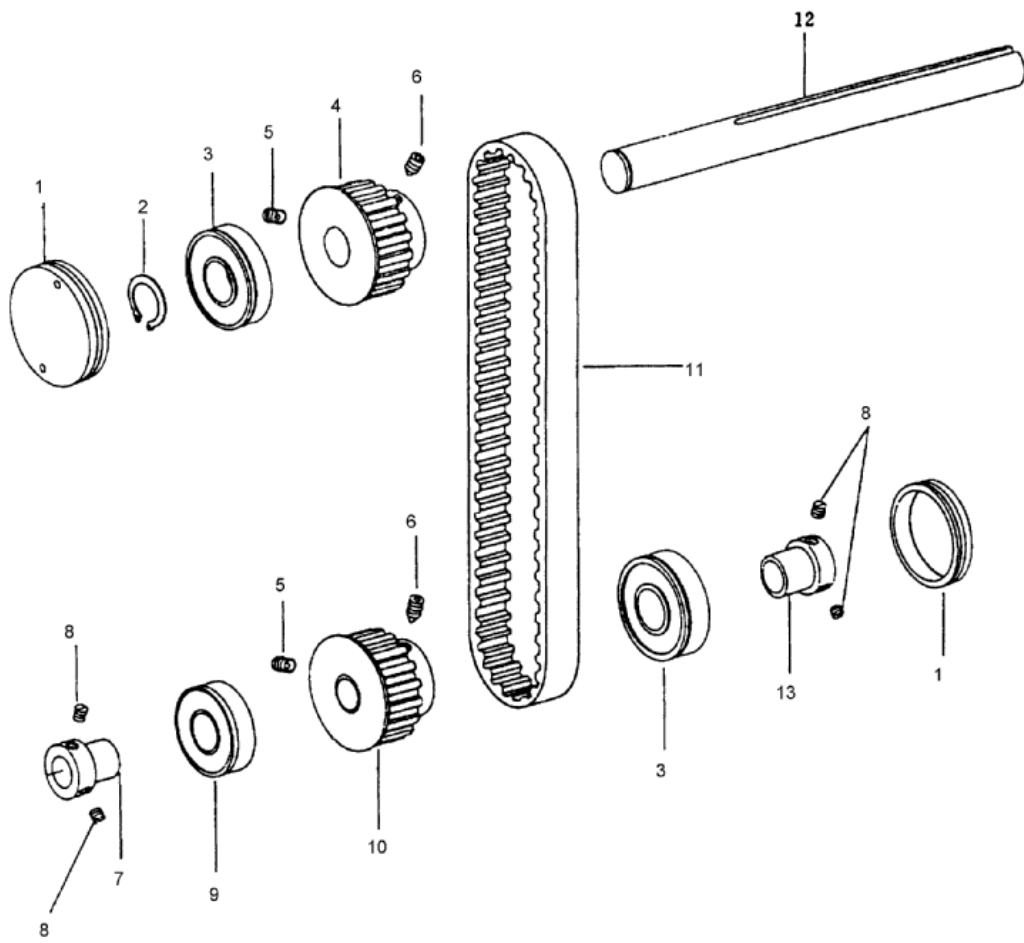


Ref.No.	Part No.	Name of Part	Q'ty
B-1	GP/119702-2	Crank Cam	1
B-2	GP/130224	Screw (M5x0,8x12)	2
B-3	GP/119702-3	Screw (M7x1,0x22)	1
B-4	GP/119702-4	Screw (M7x1,0x16,5)	1
B-5	GP/700510	Screw (M6x0,75x8)	1
B-6	GP/119702-5	Bushing	1
B-7	GP/119702-1	Upper Shaft	1
B-8	GP/119702-6	Bushing	0
B-9	GP/018643	Ball Bearing	2
B-10	GP/069160	Timing Belt 220xL	1
B-10-1	GP/069160-1	Timing Belt 220xL	1
B-11	GP/119707	Timing Belt Wheel	2
B-12	GP/335902	Screw (M6x0,75x10)	2
B-13	GP/335902-1	Screw (M6x0,75x8)	6
B-14	GP/016153	Ball Bearing	2
B-15	GP/119705	Upper Shaft Bushing	2
B-16	GP/069746	Bushing	1
B-17	GP/168480	Washer	2
B-18	GP/210265	Screw (M6x1,0x16)	1
B-19	GP/175048	Feed Regulator Scale	1
B-20	GP/170913	Pulley Balance Wheel	1
B-21	GP/341902	Screw (M6x1,0x16)	2
B-22	GP/210287	Screw (M6x1,0x35)	1

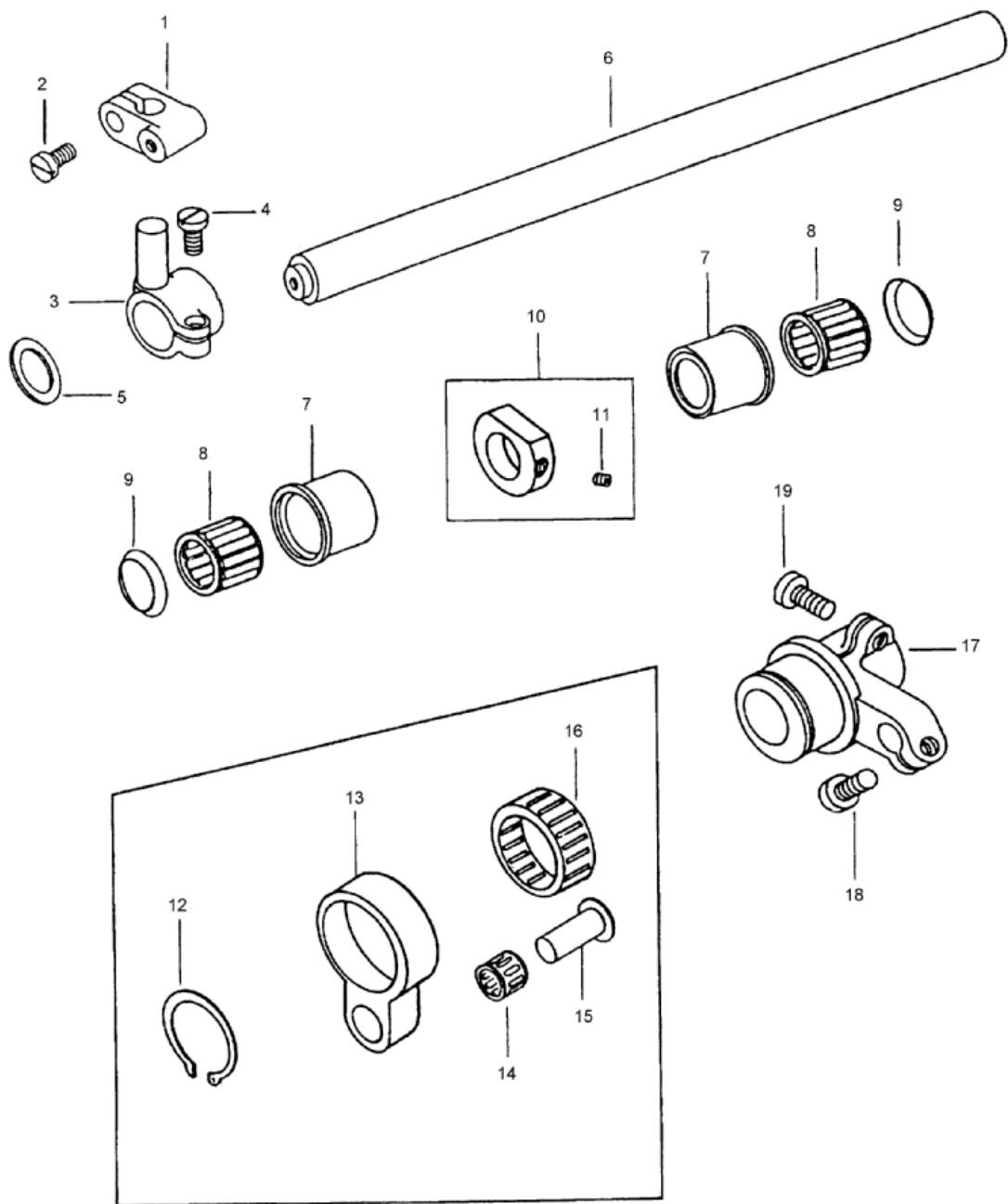




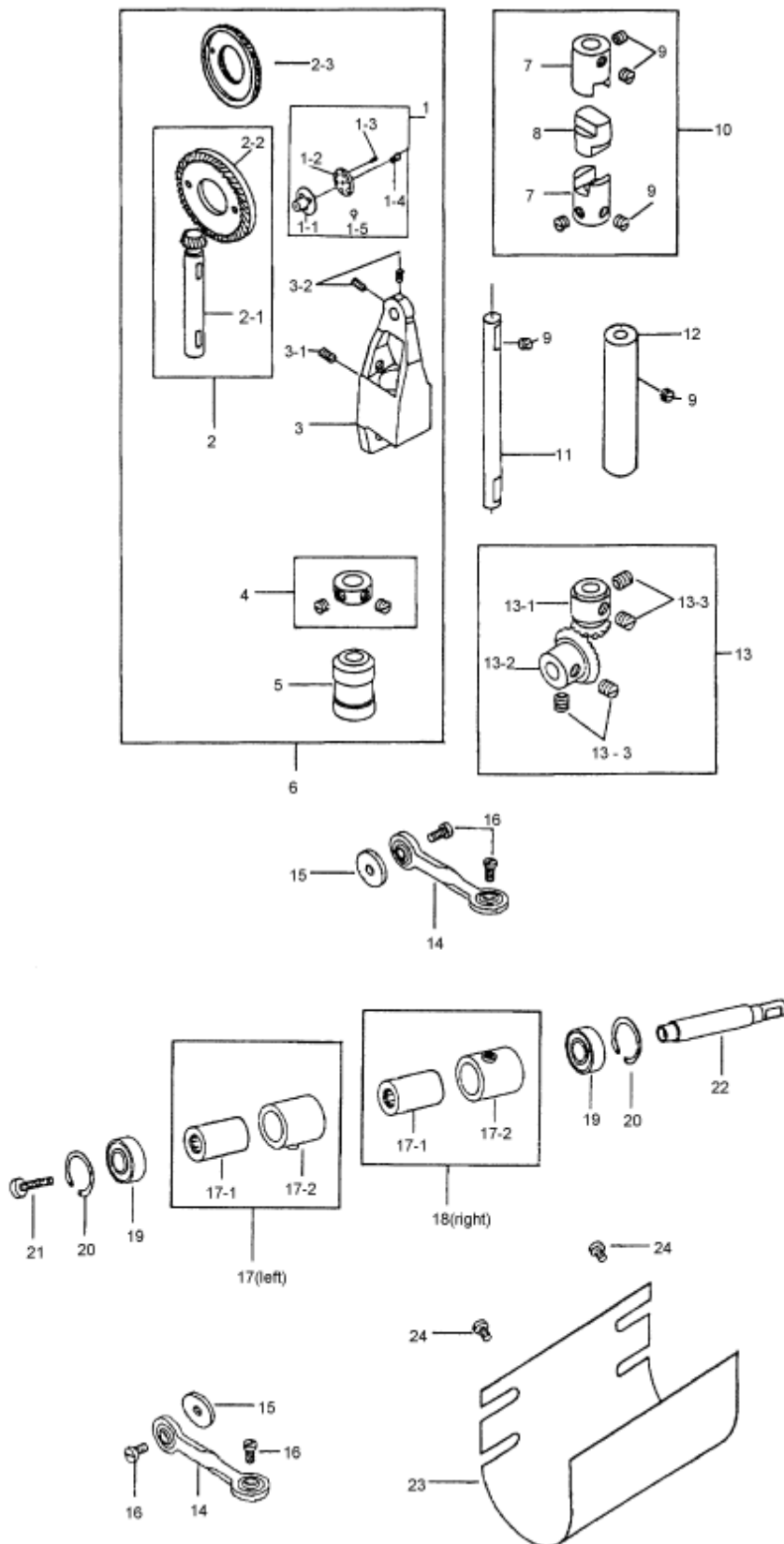
Ref.No.	Part No.	Name of Part	Q'ty
C1-1	GP/175025	Shaft	1
C1-2	GP/518250	Retaining Ring	1
C1-3	GP/119711	Shaft	1
C1-4	GP/175019	Coupler	1
C1-5	GP/341901	Screw (M6x0,75x6)	4
C1-6	GP/133109	Coupler	1
C1-7	GP/119081A	Connecting Plate	1
C1-7- 1	GP/700510	Screw (M6x0,75x7)	2
C1-7- 2	GP/173263	Safety Clutch Seat	1
C1-7- 3	GP/013153	Spring	2
C1-7- 4	GP/173261	Latch	1
C1-7- 5	GP/009408	Hinge Stud	1
C1-7- 6	GP/173264	Coupler (right)	1
C1-7- 7	GP/065052	Pin	2
C1-7- 8	GP/640150	E - Ring	1
C1-7- 9	GP/175023	Stud	2
C1-7-10	GP/640130	E - Ring	1
C1-7-11	GP/013076	Drop - In Pin	1
C1-7-12	GP/069037	Washer	1
C1-7-13	GP/009343	Spring	1
C1-7-14	GP/175126	Ring	1



Ref.No.	Part No.	Name of Part	Q'ty
C2-1	GP/119097	Plug	2
C2-2	GP/610300	Retaining Ring	1
C2-3	GP/018624	Ball Bearing	2
C2-4	GP/119707	Timing Belt Wheel	1
C2-5	GP/335902-1	Screw (M6x0,75x8)	2
C2-6	GP/335902	Screw (M6x0,75x10)	2
C2-7	GP/119121	Collar (Left)	1
C2-8	GP/700689	Screw (M6x0,75x4,5)	4
C2-9	GP/018613	Ball Bearing	1
C2-10	GP/119708	Timing Belt Wheel	1
C2-11	GP/069161	Timing Belt 210xL	1
C2-11	GP/069161-1	Timing Belt 210xL	1
C2-12	GP/119706	Shaft	1
C2-13	GP/118726	Collar (Right)	1

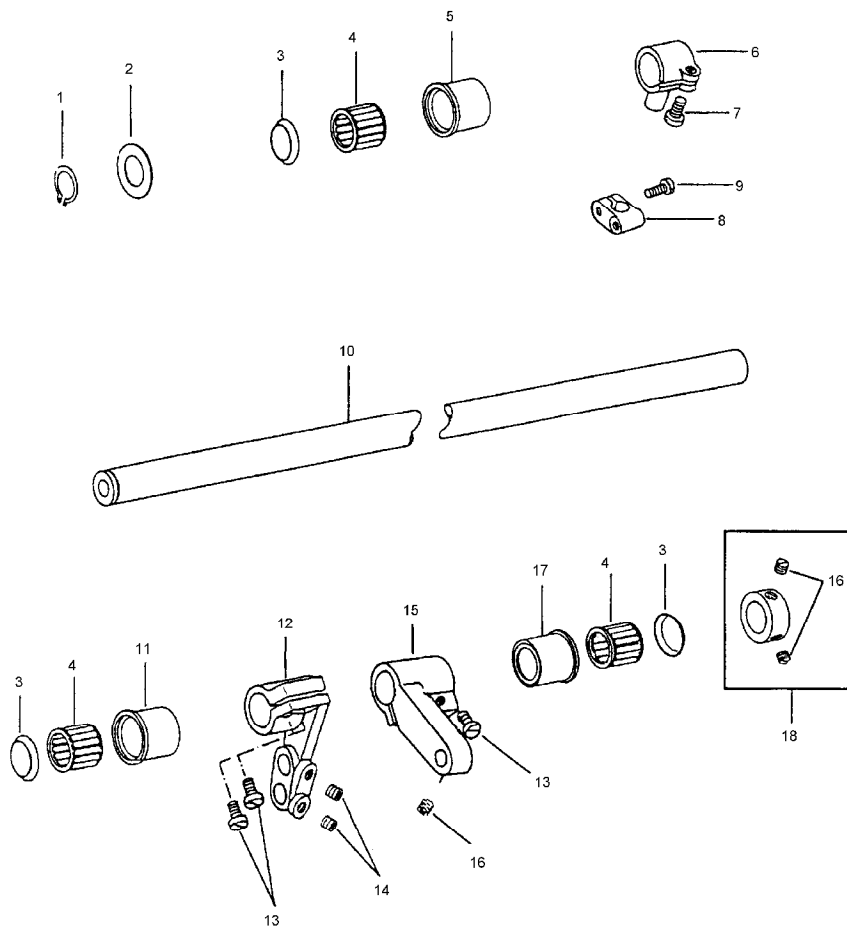


Ref.No.	Part No.	Name of Part	Q'ty
D1-1	GP/119164	Clamp	1
D1-2	GP/108177	Screw (M4x0,7x10)	1
D1-3	GP/119163	Crank	1
D1-4	GP/108225	Screw (M5x0,8x10)	1
D1-5	GP/119085	Washer	1
D1-6	GP/119511	Upper Side Shaft	1
D1-7	GP/118600	Bushing (23mm)	2
D1-8	GP/215124	Needle Bearing	2
D1-9	GP/133283	Washer	4
D1-10	GP/118504	Collar	1
D1-11	GP/700689	Screw (M6x0,75x4,5)	1
D1-12	GP/610370	Retaining Ring (24mm)	1
D1-13	GP/119042-2	Eccentric With Rod	1
D1-14	GP/215028	Needle Bearing	1
D1-15	GP/175150	Pin	1
D1-16	GP/242810	Needle Bearing	1
D1-17	GP/119042	Crank With Eccentric	1
D1-18	GP/108225-2	Screw (M5x0,8x12)	1
D1-19	GP/130224	Screw (M5x0,8x12)	1

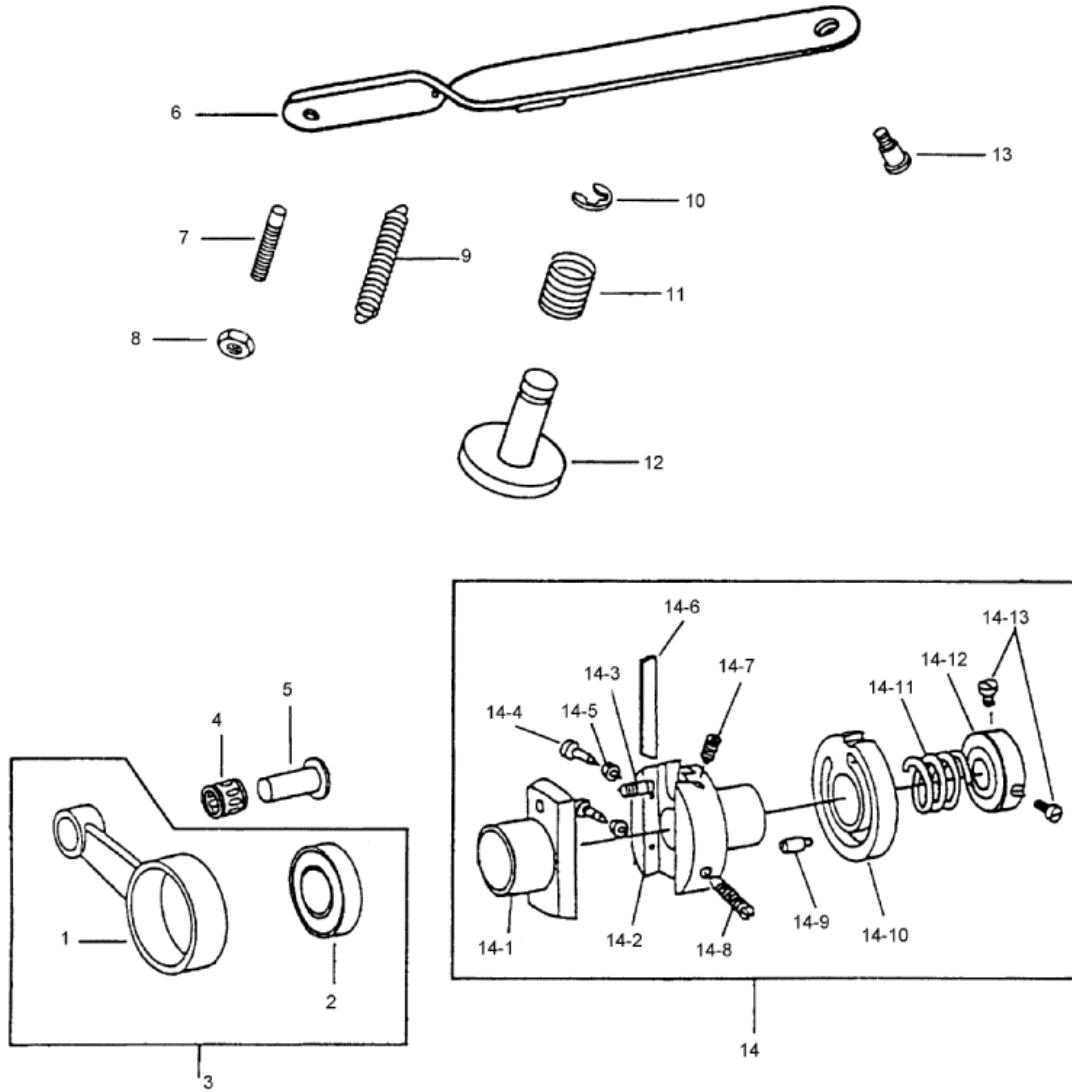


Ref.No.	Part No.	Name of Part	Q'ty
D2-1	GP/119795	Roller Bracker	1
D2-2	GP/119737	Bevel Gear	1
D2-2-1	GP/119737-1	Roller Bracker	1
D2-2-2	GP/119737-2	Roller Bracker	1
D2-2-3	GP/119737-3	Feed Wheel	1
D2-3	GP/119723	Bracket	1
D2-4	GP/119670	Collar	1
D2-5	GP/119724	Bushing	1
D2-6	GP/119723A	Bevel Gear Assy	1
D2-7	GP/119535	Bushing	2
D2-8	GP/119534	Clutch	1
D2-9	GP/119535-1	Screw (M5x08x4,5)	4
D2-10	GP/119535A	Clutch Assy	1
D2-11	GP/119532	Shaft	1
D2-12	GP/119533	Bushing	1
D2-13	GP/175113	Bevel Gear Assy	1
D2-13-1	GP/5045	Bevel Gear (Small)	1
D2-13-2	GP/5046	Bevel Gear (Medium)	1
D2-13-3	GP/700689	Screw (M6x0,75x4,5)	4
D2-14	GP/119507	Link	2
D2-15	GP/119087	Oil Felt	2
D2-16	GP/174176	Screw (M4x07x10)	4
D2-17	GP/119112	Free Wheeling (Left)	1
D2-17-1	GP/061014	Needle Bearing	2
D2-17-2	GP/119115-1	Free Wheeling Seat	2
D2-18	GP/119115	Free Wheeling (Right)	1
D2-19	GP/012555	Ball Bearing	2
D2-20	GP/664350	Retaining Ring 22mm	2
D2-21	GP/173174	Screw(M4x0,7x8)	1
D2-22	GP/119111	Shaft	1
D2-23	GP/119216	Cover/kryt	1
D2-24	GP/108174	Screw(M4x0,7x4,5)	4

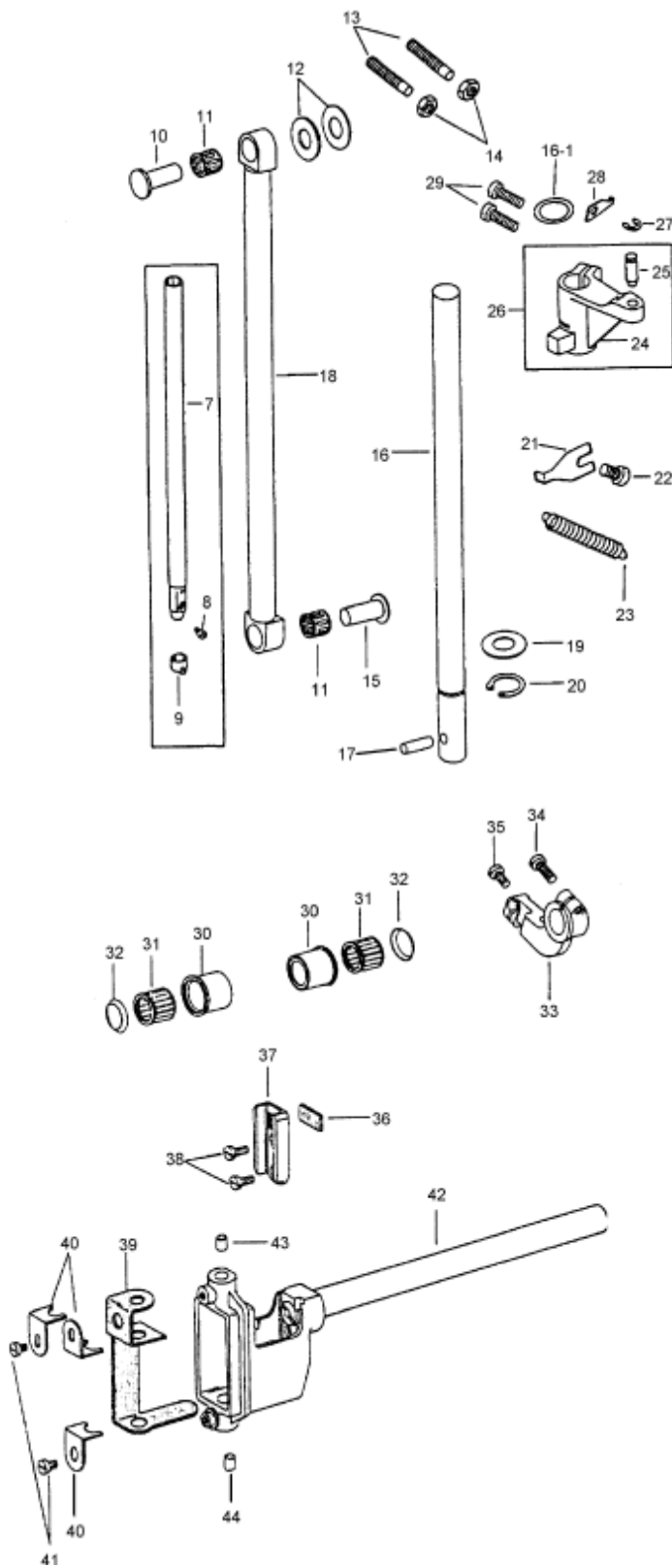




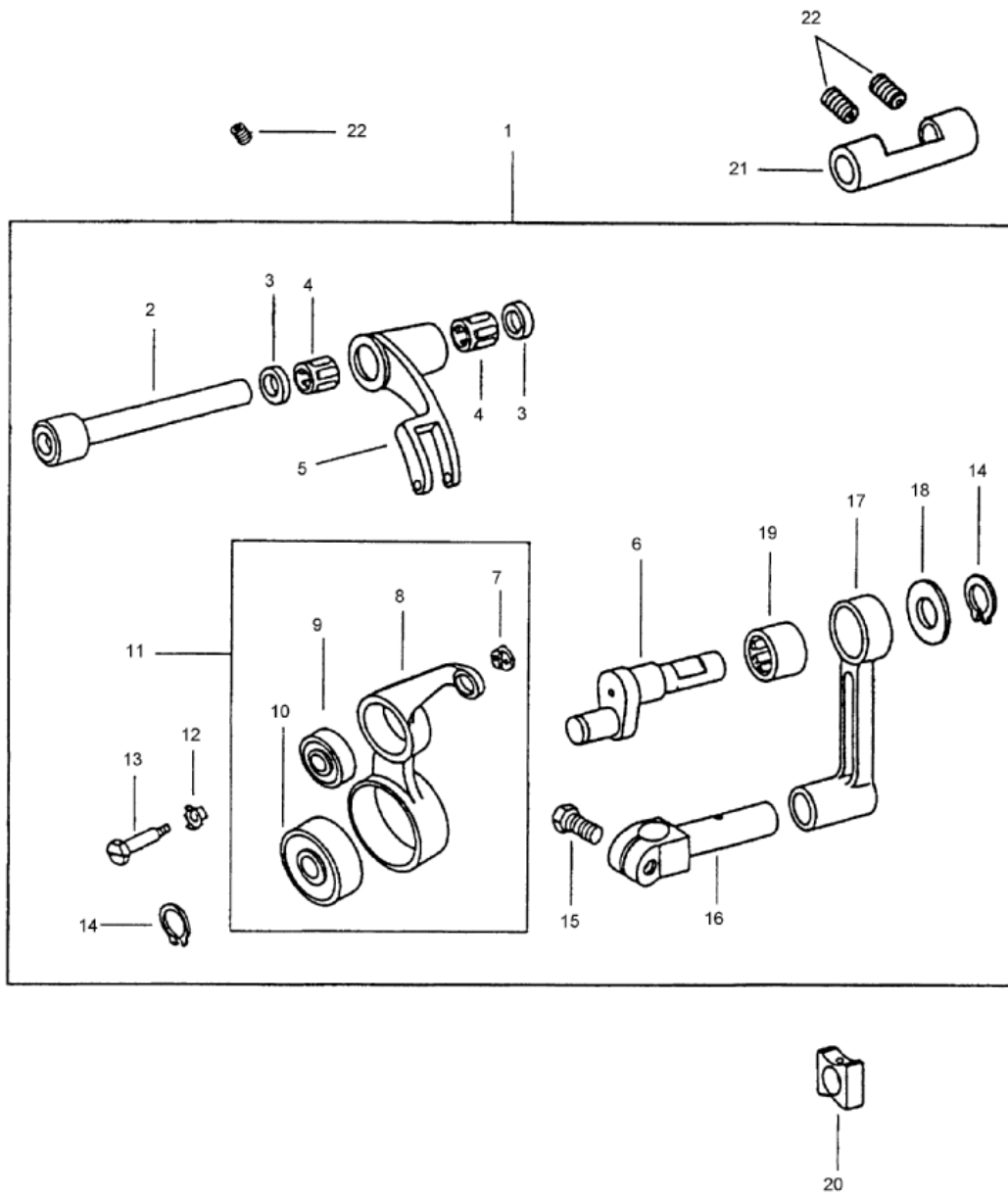
Ref.No.	Part No.	Name of Part	Q'ty
D3-1	GP/610280	Retaining Ring	1
D3-2	GP/119085	Washer	1
D3-3	GP/133283	Washer	6
D3-4	GP/215124	Needle Bearing	3
D3-5	GP/118600	Bushing	1
D3-6	GP/119163	Crank	1
D3-7	GP/108225	Screw (M5x0,8x10)	1
D3-8	GP/119164	Clamp	1
D3-9	GP/108177	Screw (M4x0,7x10)	1
D3-10	GP/119084	Shaft	1
D3-11	GP/118601	Bushing	1
D3-12	GP/119521	Crank	1
D3-13	GP/130224	Screw (M5x0,8x12)	4
D3-14	GP/335902-1	Screw (M6x0,7x8)	2
D3-15	GP/119521-1	Crank	1
D3-16	GP/700689	Screw (M6x0,75x4,5)	3
D3-17	GP/118603	Bushing	1
D3-18	GP/118893	Collar	1



Ref.No.	Part No.	Name of Part	Q'ty
D4-1	GP/175038	Connecting Rod	1
D4-2	GP/069060	Ball Bearing	1
D4-3	GP/175038A	Crank Rod Set	1
D4-4	GP/215028	Needle Bearing	1
D4-5	GP/118612	Bearing Stud	1
D4-6	GP/165356	Feeding Adjusting Plate	1
D4-7	GP/165356-1	Screw (M5x0,8)	1
D4-8	GP/165356-8	Nut (M5x0,8x4)	1
D4-9	GP/165356-5	Spring	1
D4-10	GP/165356-7	E-Ring	1
D4-11	GP/165356-6	Spring	1
D4-12	GP/165356-2	Pin	1
D4-13	GP/165356-3	Screw (M6x1,0)	1
D4-14	GP/175029	Cam Assy	1
D4-14-1	GP/175029-1	Stitch Regulating Seat	1
D4-14-2	GP/175029-2	Stitch Regulating Fix Seat	1
D4-14-3	GP/175029-3	Feed Adjusting Screw	1
D4-14-4	GP/175029-4	Screw (9/64x40x12)	1
D4-14-5	GP/175029-5	Nut (9/64x40x2,5)	1
D4-14-6	GP/175029-6	Friction Plate	1
D4-14-7	GP/175029-7	Screw (M6x0,75x10)	1
D4-14-8	GP/175029-8	Screw (M6x0,75x10)	1
D4-14-9	GP/175029-9	Screw (11/64x40x2,5)	1
D4-14-10	GP/175029-10	Eccentric Wheel	1
D4-14-11	GP/175029-11	Spring	1
D4-14-12	GP/175029-12	Collar	1
D4-14-13	GP/175029-13	Screw (11/64x40x7)	2

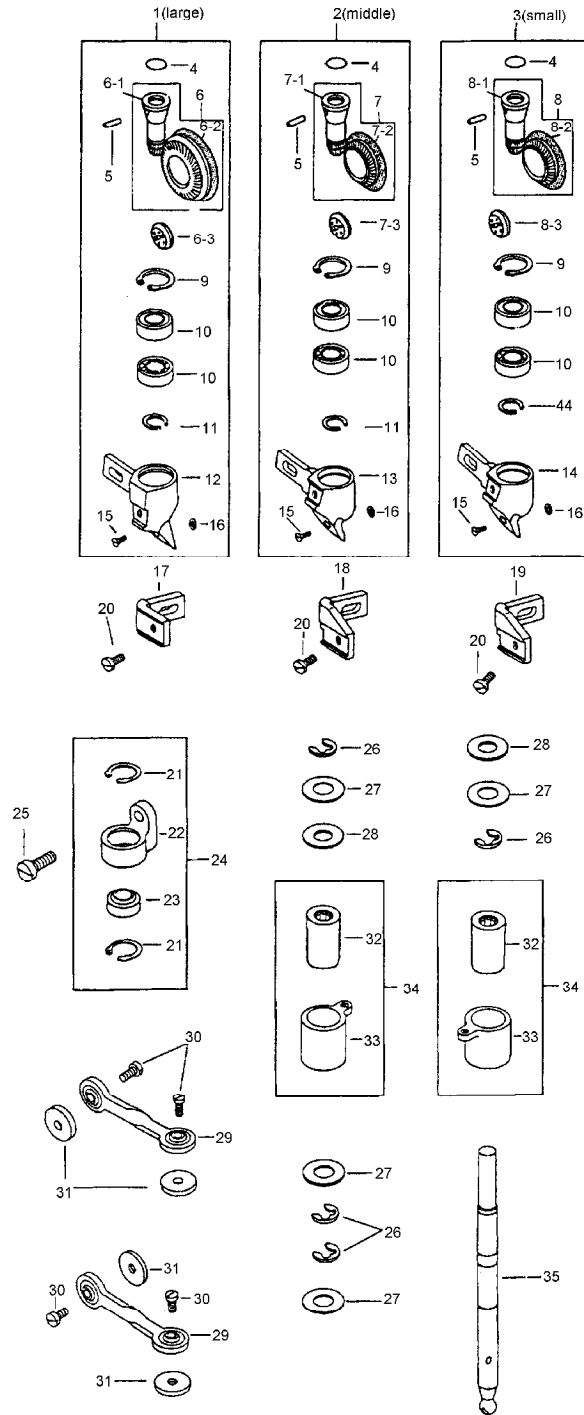


Ref.No.	Part No.	Name of Part	Q'ty
E-1	GP/118197	Needle Bar	0
E-2	GP/118196	Ring Clamp	0
E-3	GP/108174-1	Screw (M4x0,7x8)	0
E-4	GP/700868	Screw (1/8x44x3,5)	0
E-5	GP/700868-1	Screw (M3x0,5x4)	0
E-6	GP/118195	Needle Holder (2,8)	0
E-6	GP/118195-1	Needle Holder (2,4)	0
E-6	GP/118195-2	Needle Holder (3,2)	0
E-7	GP/175096	Needle Bar	1
E-8	GP/174173	Screw(M3x0,5x4)	1
E-9	GP/175096-2	Thread Guide	1
E-10	GP/175150	Pin	1
E-11	GP/215028	Needle Bearing	2
E-12	GP/169137	Washer (14x8,1x1mm)	2
E-13	GP/305305	Screw (M6x1,0x25)	2
E-14	GP/024191	Nut (M6x1,0x4,8)	2
E-15	GP/118612	Pin	1
E-16	GP/119718	Shaft (12x390)	1
E-16.l	GP/118545	Ewasher	1
E-17	GP/030310	Pin	1
E-18	GP/119046	Connecting Rod	1
E-19	GP/119525-2	Washer	1
E-20	GP/119718-2	Retaining Ring (12mm)	1
E-21	GP/118858	Spring Plate	1
E-22	GP/108285	Screw (M6x1,0x8)	1
E-23	GP/118857	Spring	1
E-24	GP/118543	Crank	1
E-25	GP/118544	Pin	1
E-26	GP/118543A	Crank Shaft	1
E-27	GP/640150	E-Ring	1
E-28	GP/020490	Spring Plate	2
E-29	GP/130224	Screw (M5x0,8x16)	1
E-30	GP/118600	Bushing	2
E-31	GP/215124	Needle Bearing	0
E-32	GP/133283	Washer	0
E-33	GP/118610	Crank	0
E-34	GP/108285-1	Screw (M6x1,0x1,4)	0
E-35	GP/130224	Screw (M5x0,8x12)	0
E-36	GP/173029	Oil Felt	1
E-37	GP/118594	Needle Bar Connecting Link Guide	1
E-38	GP/100355	Screw (M4x0,7x6)	2
E-39	GP/119014	Oil Felt	1
E-40	GP/119015	Holder	3
E-41	GP/706169	Screw (M4x0,7x4,5)	2
E-42	GP/119940	Needle Bar Holder	1
E-43	GP/119940-5	Needle Bar Bushing	1
E-44	GP/119940-4	Needle Bar Bushing	1

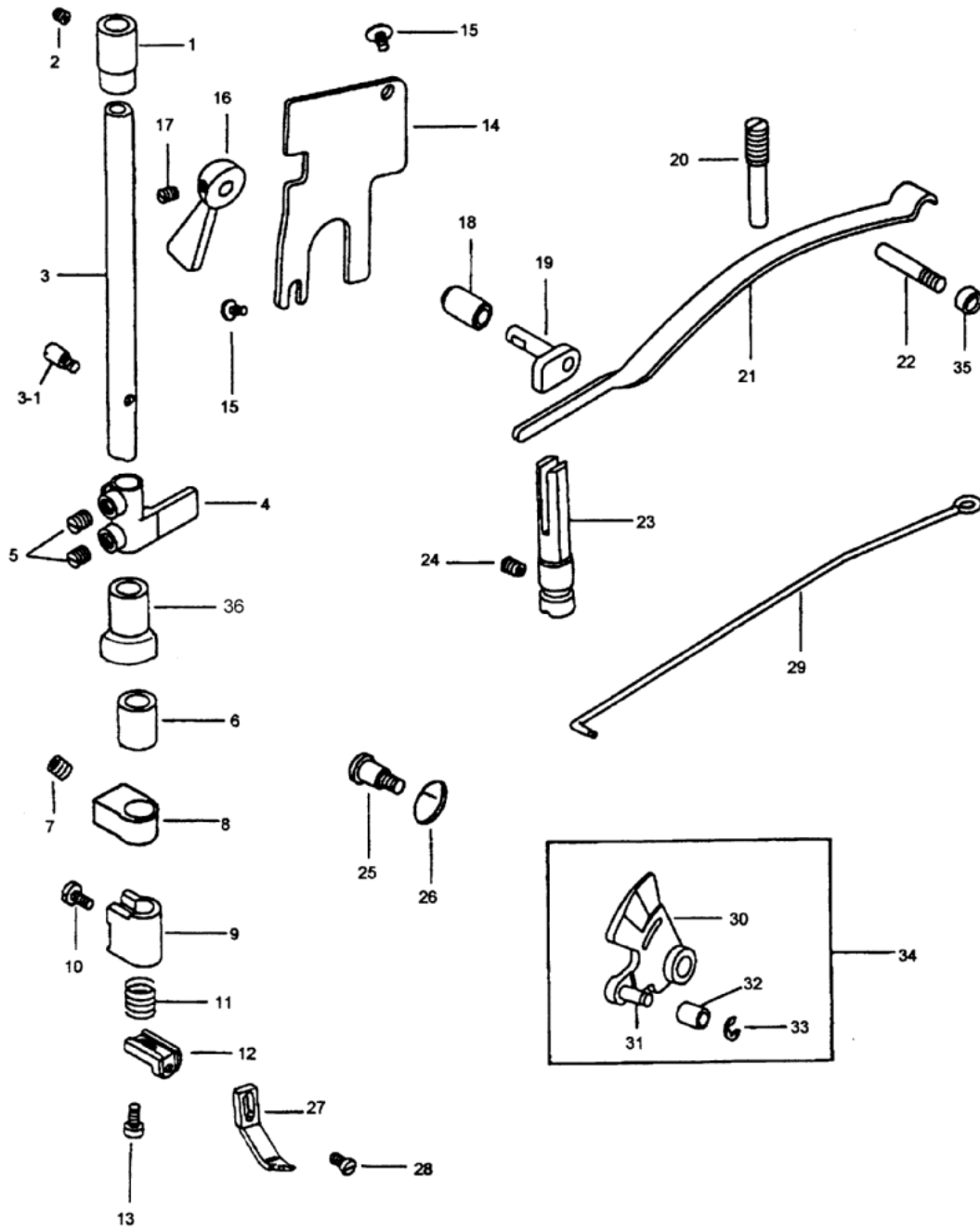


Ref.No.	Part No.	Name of Part	Q'ty
F-1	GP/118084	Thread Take-up Assy	1
F-2	GP/119009	Take-up Lever Support Stud	1
F-3	GP/168039	Washer	2
F-4	GP/215022	Needle Bearing	2
F-5	GP/119008	Take-up Frame	1
F-6	GP/119762	Take-up Crank Pin	1
F-7	GP/119049	Bushing	1
F-8	GP/119007	Take-up Lever	1
F-9	GP/167569	Ball Bearing	1
F-10	GP/167570	Ball Bearing	2
F-11	GP/119006	Take-up Lever	1
F-12	GP/168046	Washer	1
F-13	GP/168047	Screw (M4x0,7x13,5)	1
F-14	GP/610210	Retaining Ring	2
F-15	GP/039177	Screw (M4x0,7x12,5)	1
F-16	GP/119013	Needle Bar Connecting Stud	1
F-17	GP/119765	Needle Bar Connecting Crank Rod	1
F-18	GP/119763	Washer	1
F-19	GP/218080	Needle Bearing	1
F-20	GP/118518	Needle Bar Guide Slide Block	1
F-21	GP/168041	Bushing	1
F-22	GP/314220	Screw (M5x0,8x8)	3

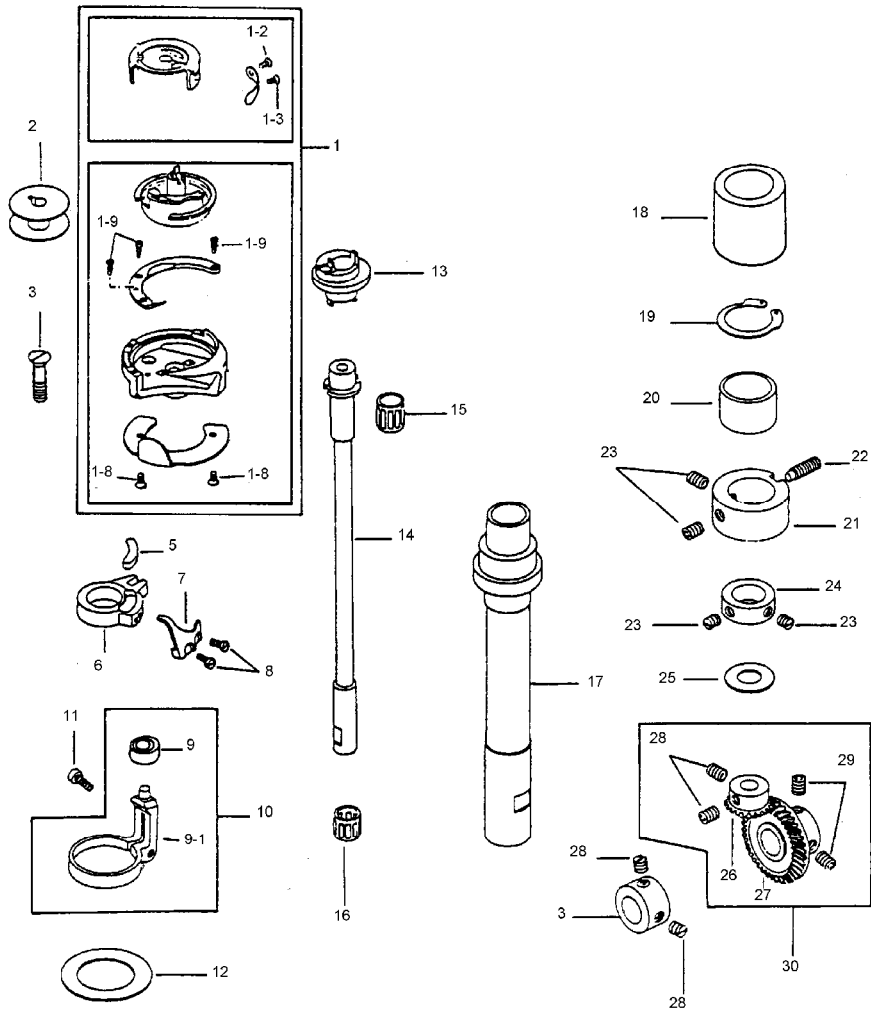




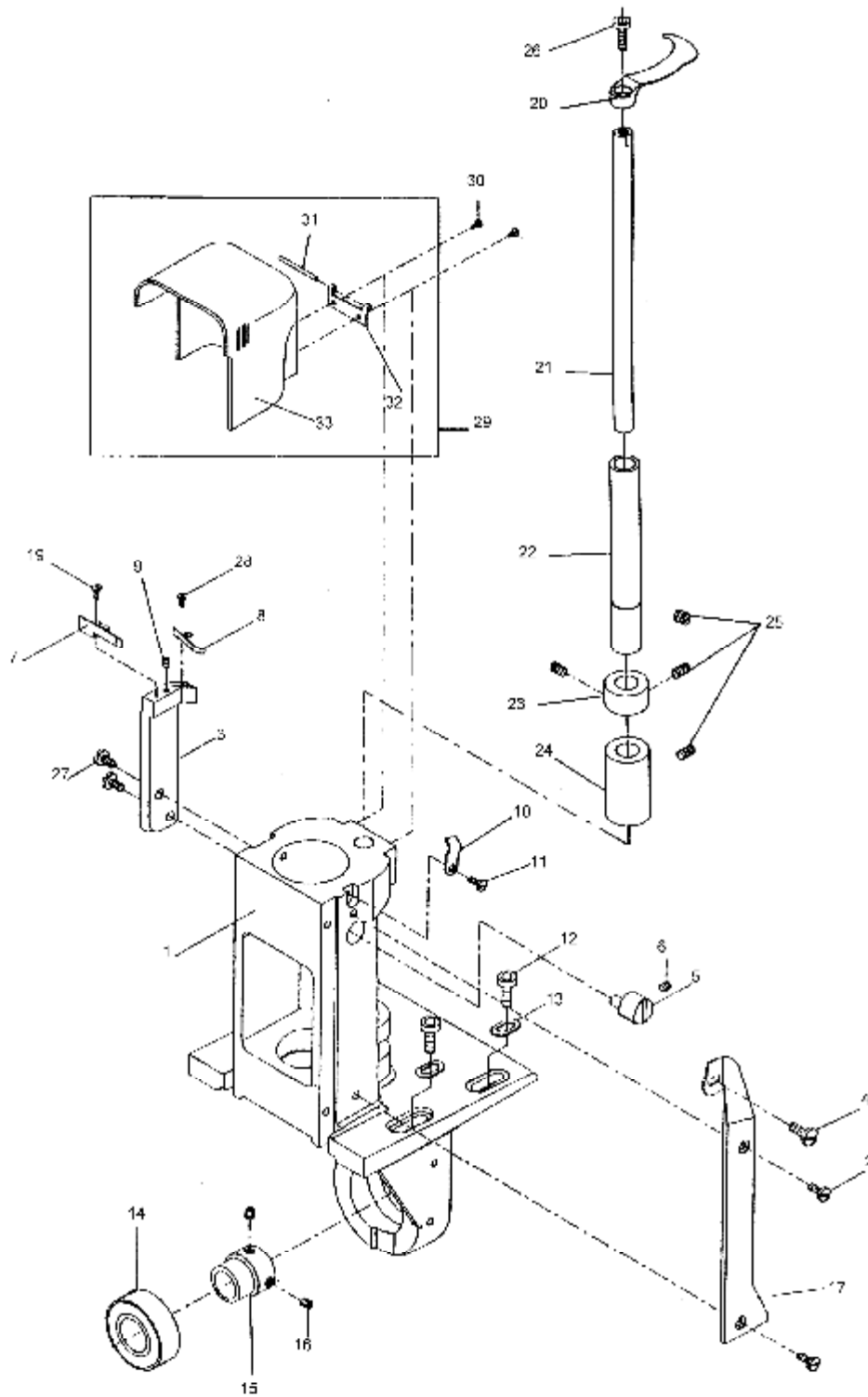
Ref.No.	Part No.	Name of Part	Q'ty
G1-1	GP/119803	Roller Preser Assy (Large)	1
G1-2	GP/119803-1	Roller Preser Assy (Middle)	1
G1-3	GP/119802	Roller Preser Assy (Small)	2
G1-4	GP/119469	Spring Washer	2
G1-5	GP/033145	Pin	1
G1-6	GP/175109	Gear	1
G1-6-1	GP/175109-1	Gear Presser Shaft	1
G1-6-2	GP/175109-2	Gear	1
G1-7	GP/175107	Gear	1
G1-7-1	GP/175107-1	Gear Presser Shaft	2
G1-7-2	GP/175107-2	Gear	1
G1-8	GP/175108	Gear	1
G1-8-1	GP/175108-1	Gear Presser Shaft	1
G1-8-2	GP/175108-2	Gear	2
G1-9	GP/664290	Retaining Ring	1
G1-10	GP/133116	Ball Bearing	2
G1-11	GP/518210	Retaining Ring	1
G1-12	GP/119953	Roller Presser Bracket	1
G1-13	GP/119943	Roller Presser Bracket	1
G1-14	GP/119956	Roller Presser Bracket	1
G1-15	GP/210043	Screw (M2,5x0,45x6)	1
G1-16	GP/119491	Washer	1
G1-17	GP/119807	Guide Seat	1
G1-18	GP/119955	Guide Seat	1
G1-19	GP/119954	Guide Seat	1
G1-20	GP/173174	Screw (M4x0,7x8)	1



Ref.No.	Part No.	Name of Part	Q'ty
G2-1	GP/119019	Presser Bar Bushing (Upper)	1
G2-2	GP/700785	Screw (M5x0,8x6)	1
G2-3	GP/119018	Presser Bar Bushing (Upper)	1
G2-4	GP/118530	Presser Bar Holder	1
G2-5	GP/700510	Screw (M6x0,75x8)	2
G2-6	GP/119019-1	Presser Bar Bushing (Lower)	1
G2-7	GP/700510-1	Screw (M6x1,0x8)	1
G2-8	GP/119165-1	Roller Presser Holder	1
G2-9	GP/119165	Roller Presser Holder	1
G2-10	GP/173174	Screw (M4x0,7x8)	1
G2-11	GP/025874	Spring	1
G2-12	GP/054876	Angle	1
G2-13	GP/130173	Screw (M4x0,7x9)	1
G2-14	GP/175135	Cover	1
G2-15	GP/700335	Screw (M5x0,8x7)	2
G2-16	GP/069079	Presser Foot Lifter	1
G2-17	GP/317950	Screw (M5x0,8x6)	1
G2-18	GP/119004	Bushing	1
G2-19	GP/118577	Cam Shaft	1
G2-20	GP/100331	Screw (M8x0,75)	1
G2-21	GP/118535	Presser Plate Spring	1
G2-22	GP/343901	Screw (M6x1,0)	1
G2-23	GP/118105	Stud	1
G2-24	GP/314286	Screw (M6x1,0x8)	1
G2-25	GP/700017	Screw (M6x1,0)	1
G2-26	GP/119016	Spring	1
G2-27	GP/49657	Gauge/vodič (2,4mm-3/32")	*1
G2-27-1	GP/049657-1	Gauge/vodič (1,6mm-1/16")	*1
G2-28	GP/108171	Screw (M4x0,7x6)	1
G2-29	GP/118542	Knee Lifter Connecting Lever	1
G2-30	GP/118536	Spring Plate	1
G2-31	GP/118536-1	Pin	1
G2-32	GP/118539	Bushing	1
G2-33	GP/640150	E-Ring	1
G2-34	GP/118536A	Lifting Lever Assy	1
G2-35	GP/343902	Bushing	1
G2-36	GP/400-MG	Support/opěra	1

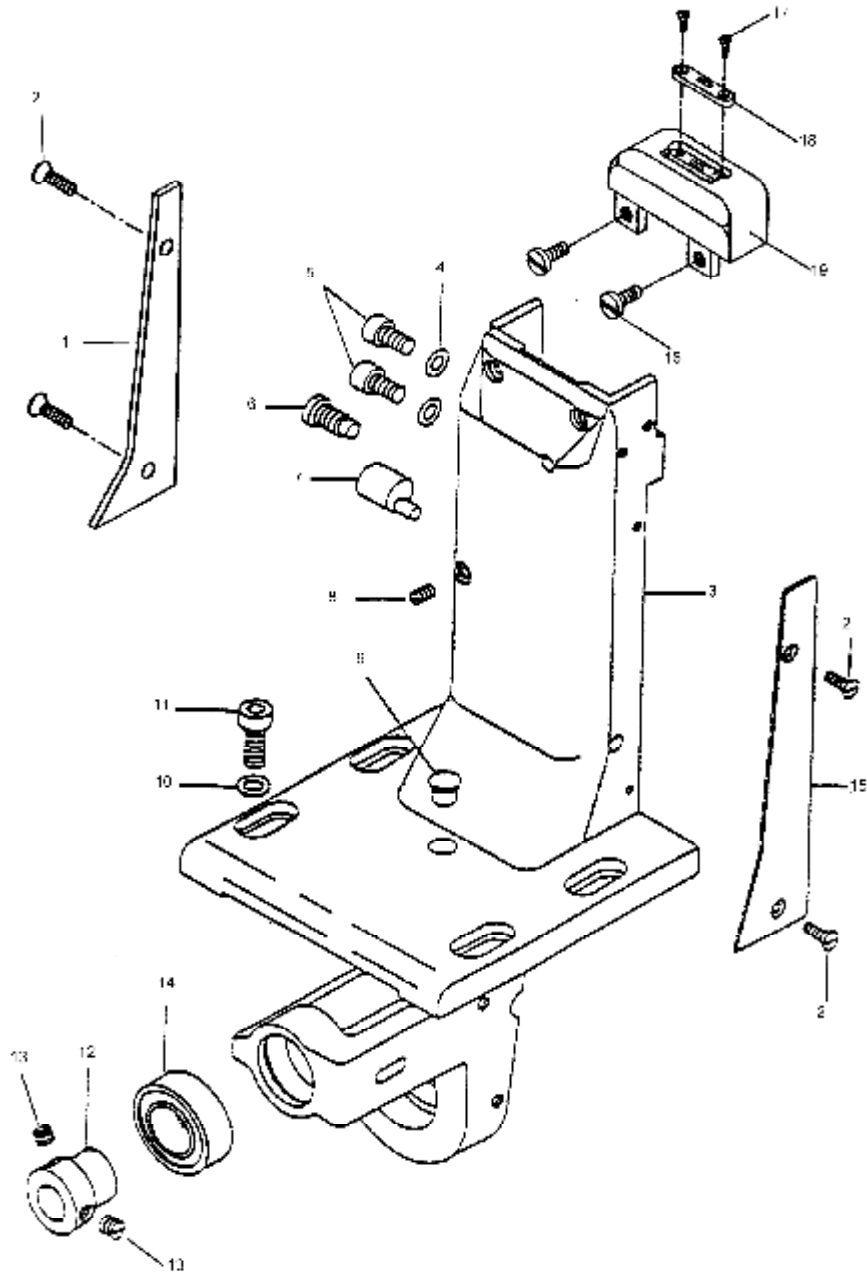


Ref.No.	Part No.	Name of Part	Q'ty
H1-1	GP/G-400-T	Hook Complete With Bobbin Case	1
H1-1-2	GP/G400T-017	Tension Spring Fastening Screw	1
H1-1-3	GP/G400T-018	Tension Spring Adjustment Screw	1
H1-1-8	GP/G400T-355	Needle Guard Fastening Screw	2
H1-1-9	GP/G400T-005	Hook Gib Fastening Screw	3
H1-2	GP/010079AL	Bobbin	1
H1-3	GP/100205	Screw	1
H1-5	GP/119128	Oil Felt	1
H1-6	GP/119127	Rotating Hook Opener Bracket	1
H1-7	GP/SM2-3.18	Rotating Hook Opener	1
H1-8	GP/108093	Screw (M3x0,5x6)	2
H1-9	GP/694 ZZ	Ball Bearing	1
H1-9-1	GP/119106-1	Driver	1
H1-10	GP/119106	Driver	1
H1-11	GP/108177	Screw (M4x0,7x10)	1
H1-12	GP/119105	Washer (35,5x26x1mm)	1
H1-13	GP/119525-1	Hook Driver	1
H1-14	GP/119525	Hook Shaft	1
H1-15	GP/215031	Needle Bearing	1
H1-16	GP/215028	Needle Bearing	1
H1-17	GP/119524	Feed Wheel Shaft	1
H1-18	GP/119979	Bushing	1
H1-19	GP/664390	Retaining Ring (26mm)	1
H1-20	GP/175138	Bushing	1
H1-21	GP/SM2-3.14	Bushing	1
H1-22	GP/SM2-3.20	Screw	1
H1-23	GP/341901	Screw (M6x0,75x6)	4
H1-24	GP/131088	Collar	1
H1-25	GP/125010	Washer (0,5)	2
H1-25-1	GP/122718	Washer (0,1)	1
H1-25-2	GP/125008	Washer (0,15)	1
H1-25-3	GP/125009	Washer (0,2)	1
H1-26	GP/119133-1	Bevel Gear (Small)	1
H1-27	GP/119133-2	Bevel Gear (Large)	1
H1-28	GP/700689	Screw (M6x0,75x4,5)	4
H1-29	GP/341901-1	Screw (M6x0,75x5)	2
H1-30	GP/119133	Gear Set	1
H1-31	GP/123788	Collar	1

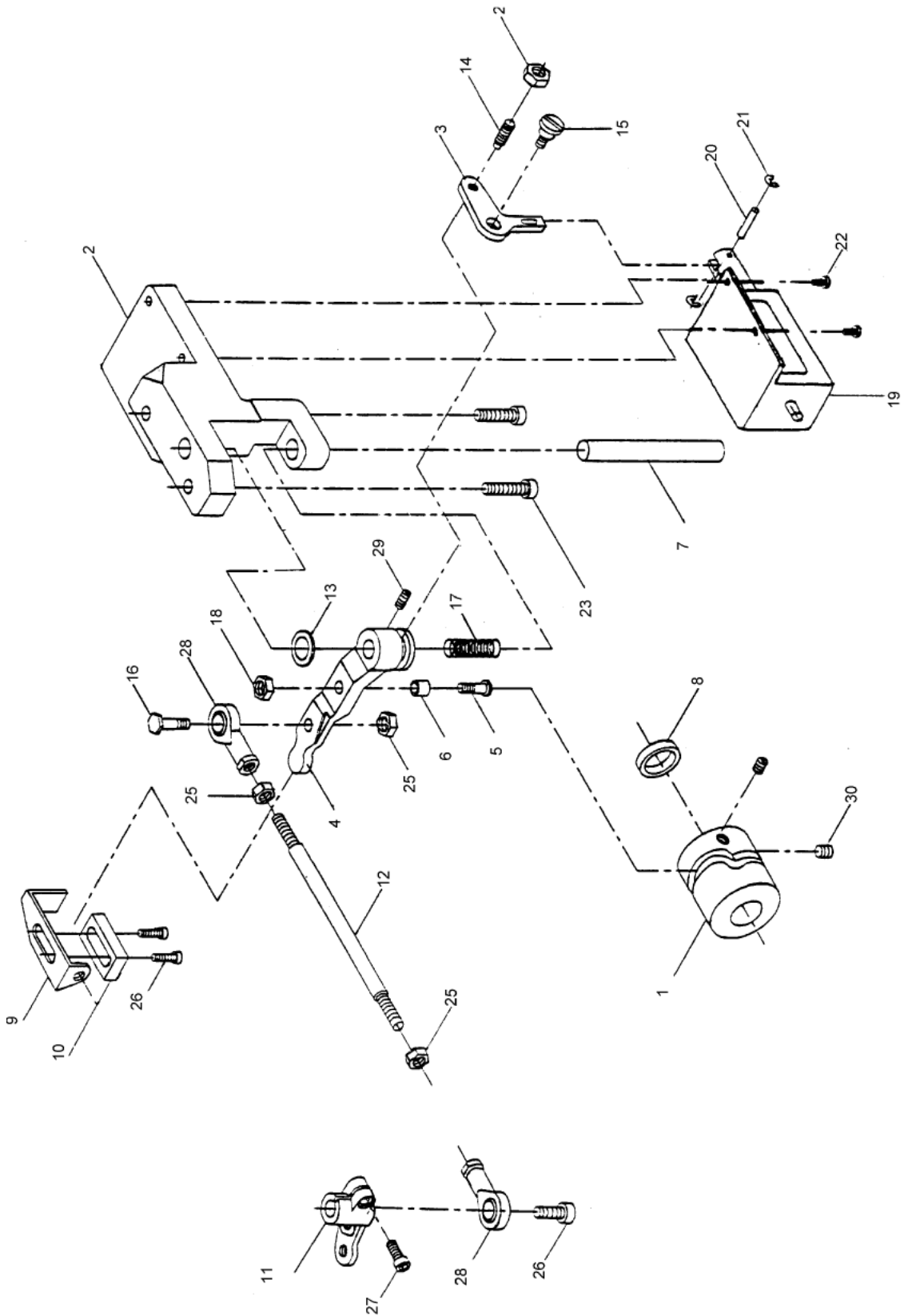


Ref.No.	Part No.	Name of Part	Q'ty
I1-1	GP/SM2-3.1M	Hook Post/chapačový sloupek	1
I1-2	GP/250084	Srew/šroub(M3x0.5x6)	2
I1-3	GP/SM4-26	Holder/držák pevného nože	1
I1-4	GP/700336	Screw/šroub(M4x0,7x6)	1
I1-5	GP/175318	Stud/excentr	1
I1-6	GP/330217	Screw/šroub(M5x4.5)	1
I1-7	GP/SM4-4	Counter Knife/Pevný nůž	1
I1-8	GP/410-449-007	Hold Spring/přidržovací perko	1
I1-9	GP/SM4-24	Pin/excentrický čep	1
I1-10	GP/119143	Spring Plate/pružná západka	1
I1-11	GP/108093	Screw/šroub(M3x0,5x6)	1
I1-12	GP/135292	Screw/šroub(M6x1x15)	4
I1-13	GP/305174	Washer/podložka	4
I1-14	GP/016120	Ball Bearing/kul.ložisko	1
I1-15	GP/119121	Collar/pouzdro	1
I1-16	GP/700689	Screw/šroub (M x0,75x4,5)	2
I1-17	GP/175234	Cover Plate	1
I1-1	GP/SM4-25	Screw/šroub	1
I1-2	GP/SM4-28-3	Moving Knife/pohyblivý nůž	1
I1-3	GP/SM2-3.3	Trimming Shaft/odstřihová hřídel	1
I1-4	GP/SM2-3.6	Tube/trubka	1
I1-5	GP/SM2-3.5	Distance Ring/distanční kroužek	1
I1-6	GP/SM2-3.4	Housing/pouzdro	1
I1-7	GP/M4x5	Screw/šroub M4x5 DIN 916	4
I1-8	GP/M4x8	Screw/šroub M4x8 DIN 912	1
I1-9	GP/M4x8	Screw/šroub M4x8 DIN 84A	2
I1-10	GP/M2,5x6	Screw/šroub M2,5x6 DIN 84A	1
I1-11	GP/101076	Post Cap Assy/kryt chapače úplný	1
I1-30	GP/108093	Screw	2
I1-31	GP/101076-1	Pin/ čep	1
I1-32	GP/101076-2	Hinge/závěs	1
I1-33	GP/101076-3	Post Cap/kryt chapače	1

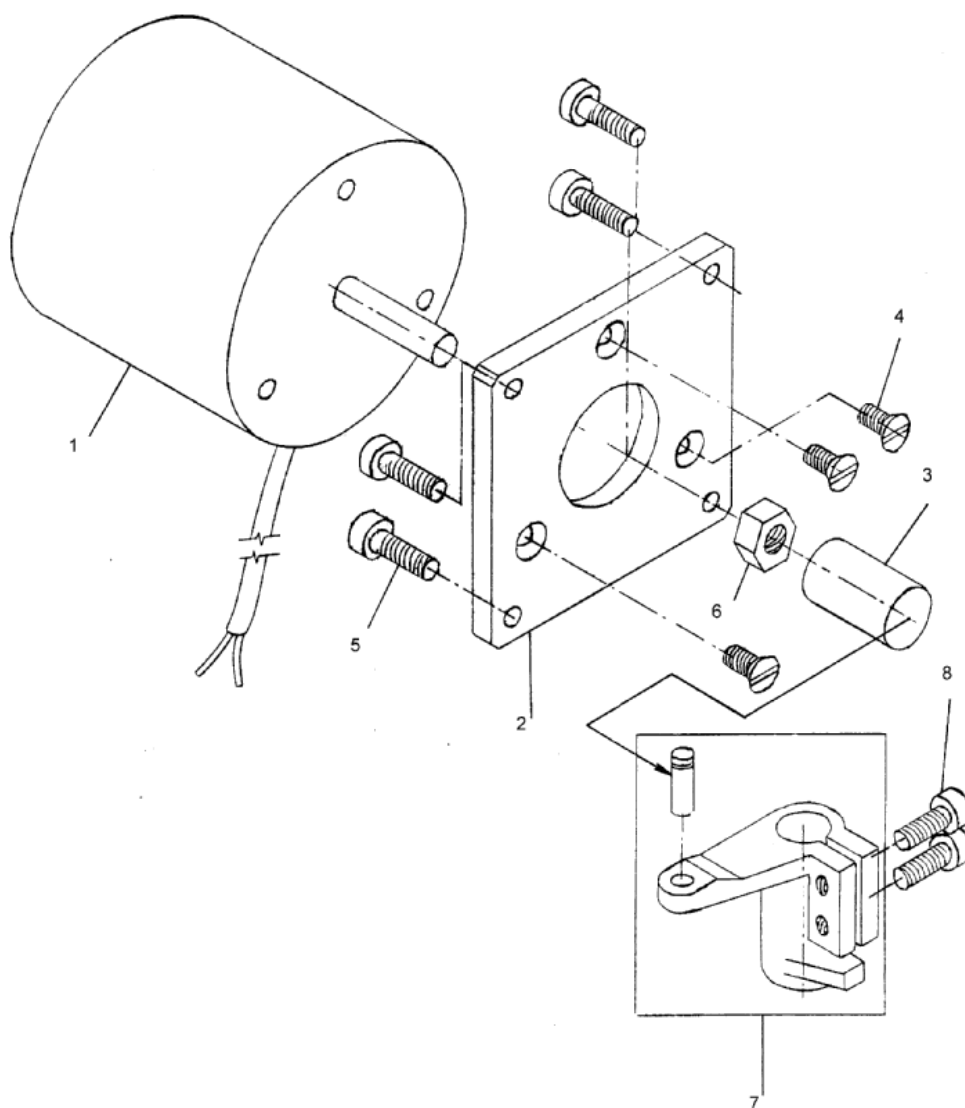




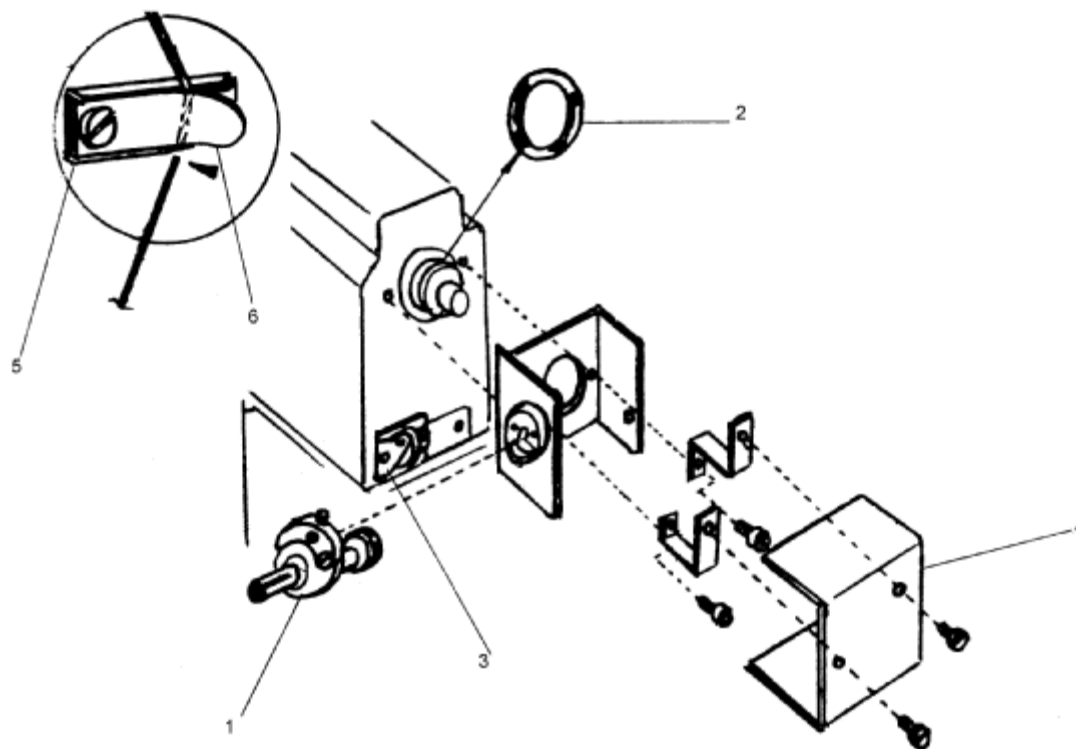
Ref.No.	Part No.	Name of Part	Q'ty
I3-1	GP/119145	Cover Plate/kryt	1
I3-2	GP/250084	Screw/šroub(M3x0,5x6)	4
I3-3	GP/119721	Support Plate/levý sloupek	1
I3-4	GP/119144	Washer/podložka	2
I3-5	GP/130224	Screw/šroub(M5x0,8x12)	2
I3-6	GP/182451	Screw/šroub(m6x1,0x14)	1
I3-7	GP/119725	Stud/čep	1
I3-8	GP/317170	Screw/šroub(M4x0,7x10)	1
I3-9	GP/168351	Plug/zátka	1
I3-10	GP/305174	Washer/podložka	4
I3-11	GP/135292	Screw/šroub(M6x1,0x15)	4
I3-12	GP/119121	Collar/pouzdro	1
I3-13	GP/700689	Screw/šroub(M6x0,75x4,5)	2
I3-14	GP/016120	Ball Bearing/ložisko	1
I3-15	GP/305144	Cover Plate/kryt	1
I3-16	GP/210168	Screw/šroub(M4x0,7x10)	2
I3-17	GP/M2,5x4	Screw/šroub DIN 963	2
I3-18-1	GP/SM4-14	Needle Plate Insert(needle hole 1,3mm)	1
I3-18-2	GP/SM4-15	Needle Plate Insert(needle hole 1,6mm)	1
I3-18-3	GP/SM4-16	Needle Plate Insert(needle hole 2,1mm)	1
I3-19	GP/SM4-13	Needle Plate/stehová deska	1



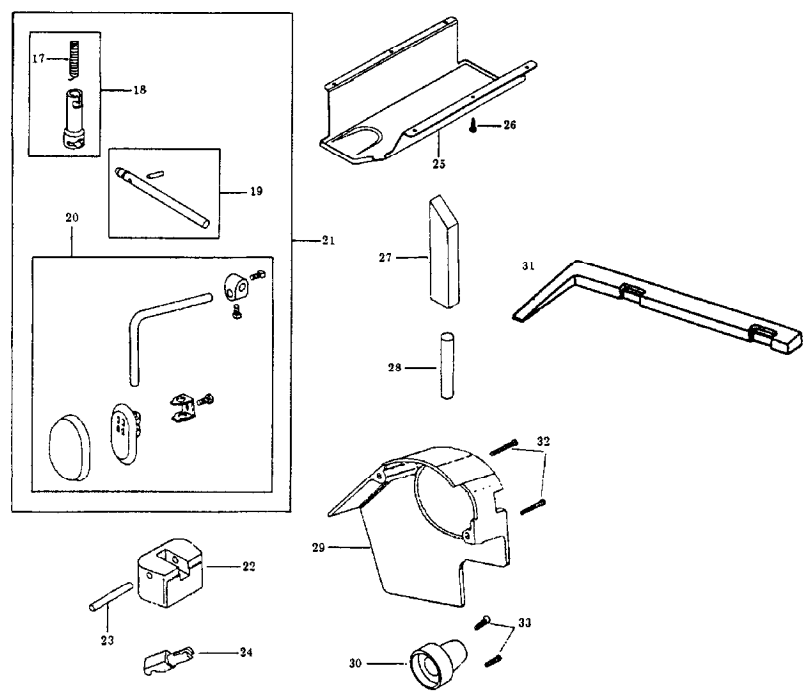
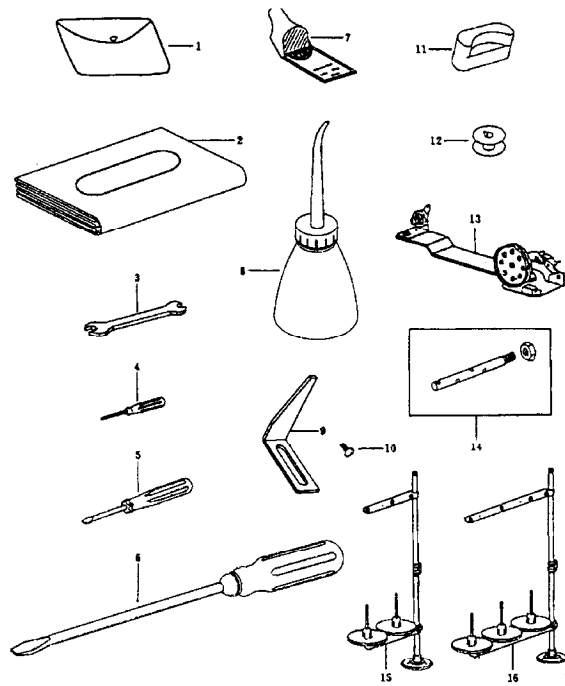
Ref.No.	Part No.	Name of Part	Q'ty
J-1	GP/SM4-20	Cam/vačka	1
J-2	GP/SM4-21	Holder/držák odstřihového magnetu	1
J-3	GP/SM2-1.3	Lever/páka	1
J-4	GP/SM2-1.2	Bracket/rameno	1
J-5	GP/SM2-1.6	Pin/čep	1
J-6	GP/SM2-1.7	Roller/kladka	1
J-7	GP/SM2-1.5	Plug/trn	1
J-8	GP/SM2-1.19	Ring/kroužek	1
J-9	GP/SM2-1.10	Stopper/doraz	1
J-10	GP/SM2-1.11	Base/podložka	1
J-11	GP/SM2-3.2	Trimming bracket/odstřih. Rameno	1
J-12	GP/SM2-1.15	Rod/táhlo	1
J-13	GP/SM2-1.16	Base/podložka	1
J-14	GP/SM2-1.13	Screw/šroub	1
J-15	GP/SM2-1.9	Screw/šroub	1
J-16	GP/SM2-1.8	Screw/šroub	1
J-17	GP/SM2-1.14	Spring/pružina	1
J-18	GP/M4	Nut/matice M4 DIN 934	1
J-19	GP/EMSA6112-B	Solenoid/magnet EMSA 6112-B	1
J-20	GP/SM2-1.12	Pin/čep	1
J-21	GP/2,3	Locking plate for shaft/pojistný kroužek 2,3 DIN6799	2
J-22	GP/M4x8	Screw/šroub M4x8 DIN 84A	2
J-23	GP/M6x22	Screw/šroub M6x22 DIN 912	2
J-24	GP/M6	Nut/matice M6 DIN 934	1
J-25	GP/M5	Nut/matice M5 DIN 934	3
J-26	GP/M5x14	Screw/šroub M5x14 DIN 912	3
J-27	GP/M5x12	Screw/šroub M5x12 DIN 912	0
J-28	GP/SB PHS 5R	Rod.end.bearing/kloubové ložisko SB PHS 5R	2
J-29	GP/M5x6	Screw/šroub M5x6 DIN 916	1
J-30	GP/335902	Screw/šroub M6x0,75x10	2



Ref. No.	Part No.	Name of Part	Q'ty
L- 1	GP/AEVS072-4	Solenoid/magnet AEVS 072-4 175W	1
L- 2	GP/SM8-1	Plate/držák	1
L- 3	GP/SM8-2	Plug/trn	1
L- 4	GP/M5x10	Screw/šroub M5x10 DIN 963A	3
L- 5	GP/M5x14	Screw/šroub M5x14 DIN 912	4
L- 6	GP/M8	Nut/matice M8 DIN 963	1
L- 7	GP/118543A	Crank Shaft/páka s čepem	1
L- 8	GP/130224	Screw/šroub (M5x12)	2

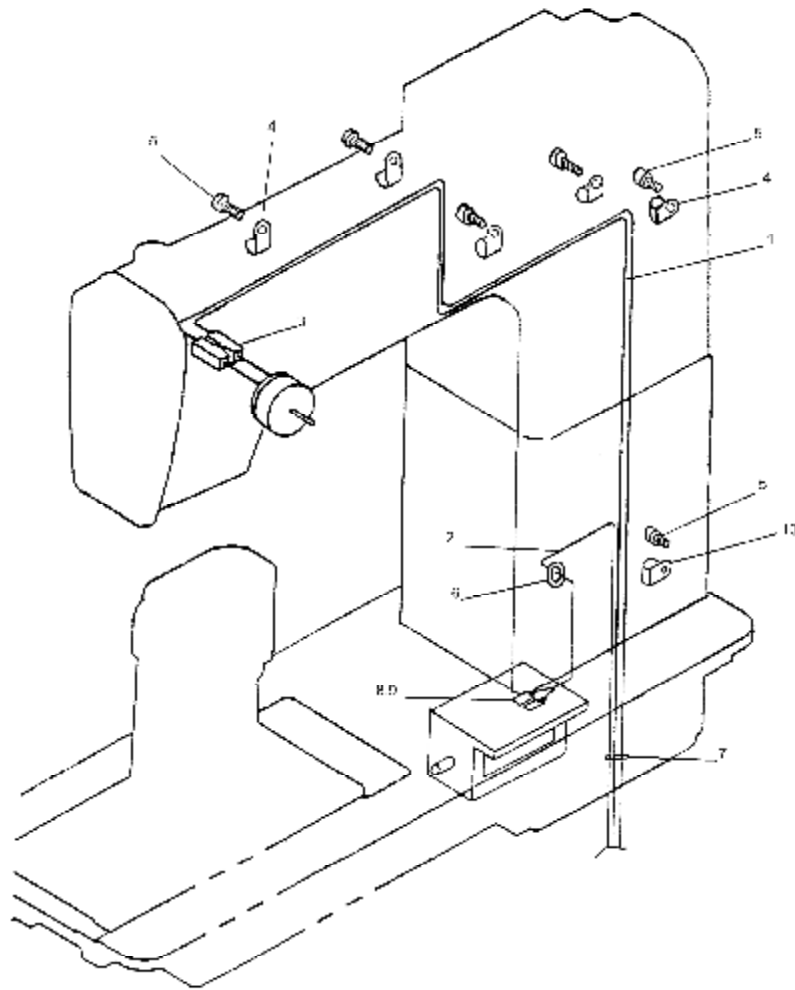


Ref. No.	Part No.	Name of Part	Q'ty
N1-1	GP/GU-100-030	Bobbin Winder	1
N1-2	GP/GP-941048	O-Ring 22x7	1
N1-3	GP/SM12-1.1	Thread Tension	1
N1-4	GP/GU-100-001	Bobbin Winder Bracket	1
N1-5	GP/GU-100-005	Bucket	1
N1-6	GP/GU100-006/7	Knife	1



Ref.No.	Part No.	Name of Part	Q'ty
N2-1	GP/123456	Accessory Bag	1
N2-2	GP/029836	Vinyl Cover	1
N2-3	GP/800110	Spanner	1
N2-4	GP/129915	Screw Driver (Small)	1
N2-5	GP/029946	Screw Driver (Middle)	1
N2-6	GP/029007	Screw Driver (Large)	1
N2-7	GP/134LR	Needle	10
N2-8	GP/029394	Oiler	1
N2-9	GP/119089-1	Stitching Length Indicator	1
N2-10	GP/100355	Screw	1
N2-11	GP/032808	Head Cushion	2
N2-12	GP/010079AL	Bobbin	4
N2-13	GP/259431	Bobbin Winder	1
N2-14	GP/119026	Spool Pin	1
N2-15	GP/FPL2	Thread Stand (2-Pole)	0
N2-16	GP/FPL3	Thread Stand (3-Pole)	1
N2-17	GP/171543	Spring	1
N2-18	GP/171542	Knee Lever Coupling	1
N2-19	GP/171413	Knee Lever Rod	1
N2-20	GP/171412	Knee Lever Assy	1
N2-21	GP/171411	Knee Lever Rod Assy	1
N2-22	GP/029934	Hinge Connection Seat	2
N2-23	GP/030341	Pin	2
N2-24	GP/029450	Hinge Pin	2
N2-25	GP/118636	Oil Pan	1
N2-26	GP/460157	Screw	6
N2-27	GP/032717	Head Rest Wood	1
N2-28	GP/032717-1	Housing Support Stud	1
N2-29	GP/119078	Belt Cover Set (Large)	1
N2-30	GP/119088	Belt Cover Set (Small)	1
N2-31	GP/119999	Wedge	1
N2-32	GP/119089-2	Screw	2
N2-33	GP/119078-1	Screw	2





Ref.No.	Part No.	Name of Part	Q'ty
P-1	GP/2x0,5	Cabel/vodič kruh.průřez 2x0,5,l=1,5m	1
P-2	GP/2x0,5	Cabel/vodič kruh.průřez 2x0,5,l=1m	1
P-3	GP/MATE-N-LOCK	Connector MATE-N-LOK	1
P-3-1	GP/1-480318-0	MATE-N-LOK/kryt dutinek 2P/kab	1
P-3-2	GP/1-480319-0	MATE-N-LOK/kryt kolíků 2P/kab	1
P-3-3	GP/0-163304-2	MATE-N-LOK/dutinka/0,5-1,0 Sn	2
P-3-4	GP/0-163305-2	MATE-N-LOK/kolík/0,5-1,0 Sn	2
P-4	GP/4,8	Cabel Clamp/kabelová příchytka prům.4,8mm	5
P-5	GP/M4x8	Screw/šroub M4x8 DIN 84A	6
P-6	GP/656067	Trough Insert/průchodka F07105 B-10	1
P-7	GP/VPP2/100	Cable Belt/kabelový pásek 2,5mmx100mm	5
P-8	GP/94030-4931	Connector/konektor 2,8/0,8	2
P-9	GP/727018-1	Isolator/smršťovací izolace 3,2mm,l=30mm	2
P-10	GP/9,5	Cabel Clamp/kabelová Příchytka prům.9,5mm	1

