

Spare Parts List



GC-4320-443MH

ANITA B s.r.o.

Průmyslová 2453/7

680 01 Boskovice

Czech Republic

tel: +420 516 454 774

+420 516 453 496

fax: +420 516 452 751

e-mail: info@anita.cz

VERSION	CREATED ON	APPROVED BY
MP03800EN_181004	09. 11. 2018	Jakub Lžičař

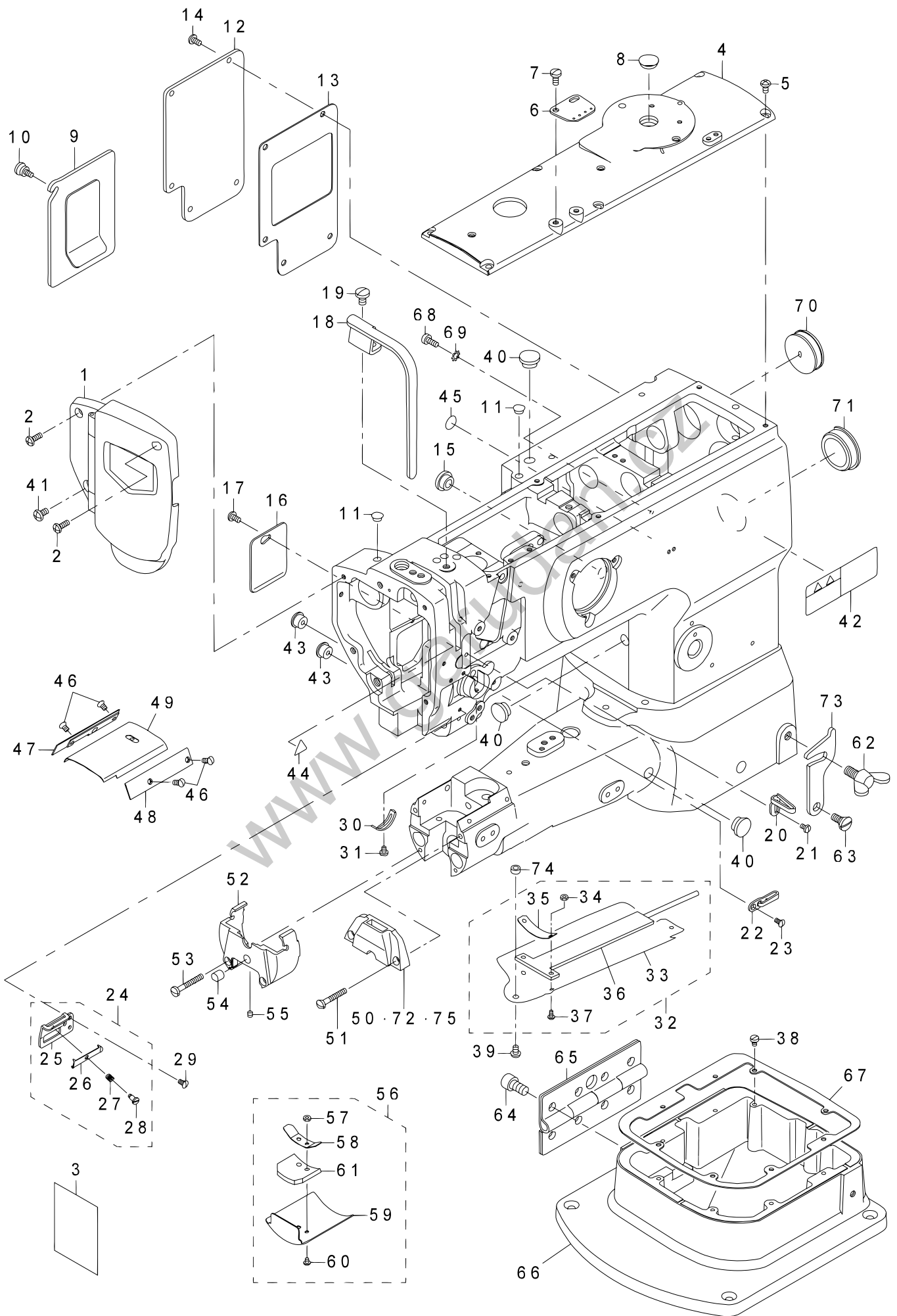
www.garudan.cz

All rights reserved.

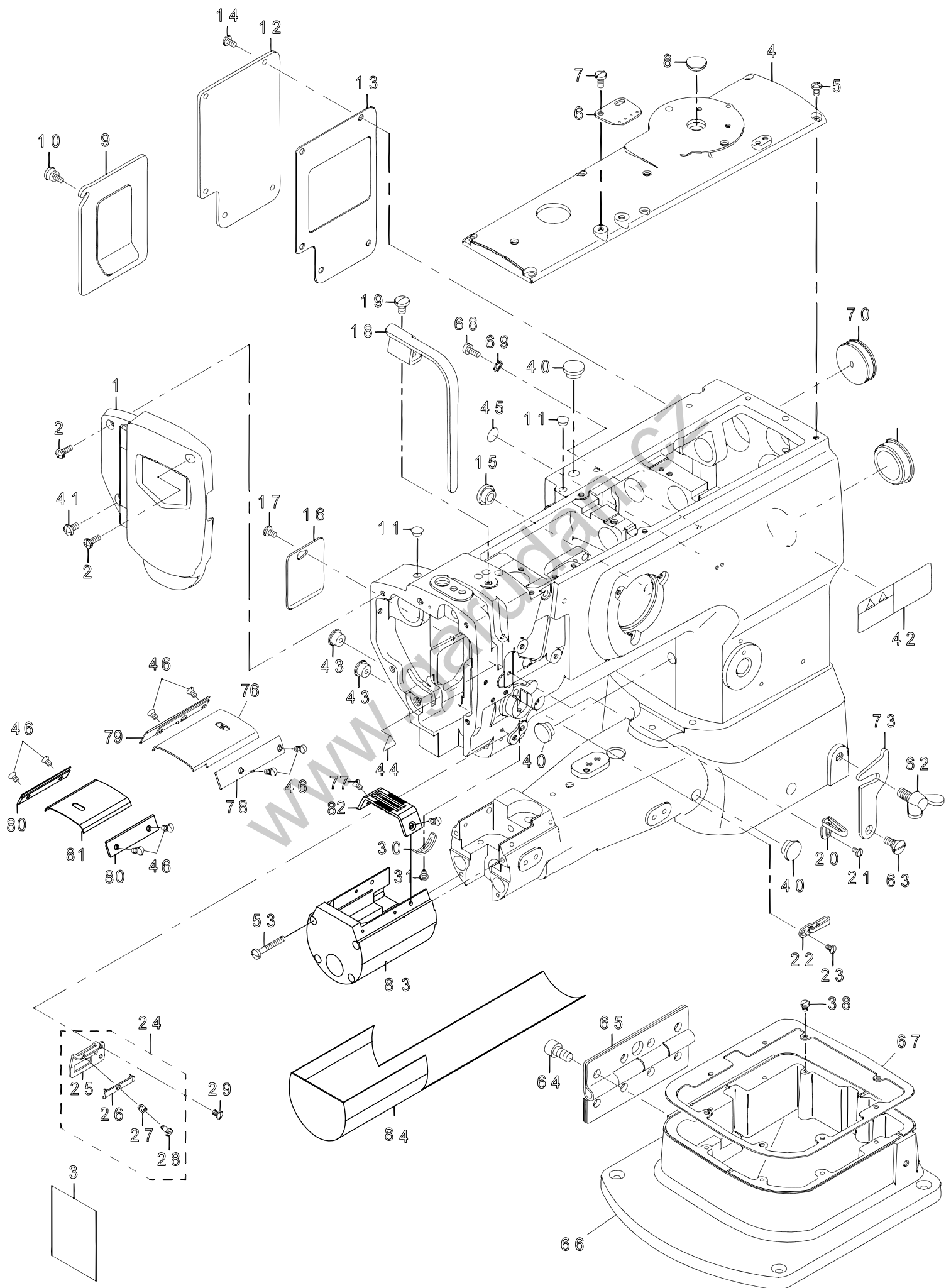
Property of Anita B s.r.o. and protected by copyright. The use of this content without written consent of Anita B s.r.o. is prohibited.

Copyright © Anita B s.r.o. (2018)

www.garudan.cz



序号	说明	图号	编码及型号	英文名称	中文名称	数量
1			40016798	FACE PLATE ASM.	面板	1
2			SS4111215SP	SCREW 11/64-40 L=12	螺钉11/64-40 L=12	2
3			40019114	LUBRICATION SUPPLEMENT	标签	1
4			21331301	TOP COVER B	顶盖	1
5			SS4110815SP	SCREW 11/64-40 L=8	螺钉11/64-40 L=8	6
6			21355904	ARM THREAD GUIDE	过线板	1
7			SS7621040SP	SCREW 3/16-32 L= 9.5	螺钉3/16-32 L= 9.5	2
8			TA1450404R0	RUBBER PLUG D=14.5 L=4	橡皮塞D=14.5 L=4	1
9			21331756	WINDOW PLATE A ASM.	窗盖板组件	1
10			21331202	SETSCREW	紧定螺钉	1
11			TA0750404R0	PLUG D=7.5 L=3.5	橡皮塞D=7.5 L=3.5	2
12			21331806	WINDOW PLATE B	窗盖板B	1
13			21332002	WINDOW PLATE PACKING B	窗盖板垫B	1
14			SS4110815SP	SCREW 11/64-40 L=8	螺钉11/64-40 L=8	5
15			TA1250504R0	RUBBER PLUG	橡皮塞	2
16			21332309	SIDE COVER	侧盖	1
17			SS4110815SP	SCREW 11/64-40 L=8	螺钉11/64-40 L=8	1
18			21331608	BALANCE COVER	天秤盖	1
19			SS7150910TP	SCREW 15/64-28 L=9	螺钉15/64-28 L=9	1
20			21355805	THREAD GUIDE	过线钩	1
21			SS5090610SP	SCREW 9/64-40 L=6	螺钉9/64-40 L=6	1
22			22603112	THREAD GUIDE	上过线	1
23			SS2090710TP	SCREW 9/64-40 L=7.2	螺钉9/64-40 L=7.2	1
24			40039838	THREAD GUIDE ASM.	过线组件	1
25			40039839	THREAD GUIDE PLATE	导线板	-1
26			17912106	NEEDLE THREAD PRESSER PLATE	面线压板	1
27			B1132521000	THREAD PRESSER PLATE SPRING	压板弹簧	-1
28			SD0380551SL	HINGE SCREW D= 3.80 H= 5.5	铰链螺钉D= 3.80 H= 5.5	1
29			SS2090710TP	SCREW 9/64-40 L=7.2	螺钉9/64-40 L=7.2	1
30			B3138512000	TAKE-UP SPRING ADJUSTING PLATE	挑线簧调整板	1
31			SS7090520TP	SCREW 9/64-40 L= 4.5	螺钉9/64-40 L= 4.5	1
32			21426754	SYLINDER COVER ASM.	盖板组件	1
33			21426705	SYLINDER COVER	盖板	-1
34			NM6030003SC	NUT M3	螺母	-2
35			21426903	FELT PRESSER PLATE	油毡压板	1
36			21426853	SYLINDER COVER FELT ASM.	盖板毛毡组件	-1
37			SM4030601SC	SCREW M3 X 6	螺钉M3 X 6	2
38			TA0550604R0	RUBBER PLUG	螺钉	1
39			SS5110710SP	SCREW 11/64-40 L=7	螺钉11/64-40 L=7	1
40			TA1250504R0	RUBBER PLUG	橡皮塞	3
41			SS4150915SP	SCREW 15/64-28 L=9	螺钉15/64-28 L=9	1
42			CM301300001	SAFETY LABEL	标签	1
43			TA1100604R0	PLUG	橡皮塞	2
44			CM300200001	ATTENTION SEAL	标签	1
45			22901805	GROUND MARK	接地标签	1
46			SS2090520SL	SCREW 9/64-40 L=5	螺钉9/64-40 L=5	4
47			21426606	BED SLIDE SIDE PLATE LEFT	底板滑块(左)	1
48			23100506	BED SLIDE SIDE PLATE RIGHT	底板滑块(右)	1
49			21220413	BED PLATE	底板	1
50			21221908	THOAT PLATE	针板	1
51			SS7112810SP	SCREW 11/64-40 L=28	螺钉11/64-40 L=28	2
52			40090318	THROAT PLATE BASE	针板座	1
53			SS7113110SP	SCREW 1/64-40 L=30	螺钉1/64-40 L=30	2
54			40090323	FEED BASE SUPPORT	送料支架座	1
55			SM8040402TP	SCREW M4X0.7 L=4	螺钉M4X0.7 L=4	1
56			21426051	THROAT PLATE BASE COVER ASM.	针板座盖组件	1
57			NM6030003SC	NUT M3	螺母	-2
58			21426101	THROAT PLATE BASE COVER SPRING	针板盖弹片	-1
59			21426002	THROAT PLATE BASE COVER	针板座盖	-1
60			SM4030401SC	SCREW M3X0.5 L=4	螺钉M3X0.5 L=4	2
61			21425905	THROAT PLATE BASE COVER FELT	针板座盖垫	-1
62			B1116246000	WING BOLT	碟形螺栓	1
63			SD0800352SP	HINGE SCREW D= 8 H= 3.5	螺钉D= 8 H= 3.5	1
64			SM6081552TP	SCREW M8 L=15	螺钉M8 L=15	8
65			21426507	HINGE	铰链	1
66			21426309	BED HOLDING BASE	底座	1
67			21426408	BED HOLDING BASE PACKING	底座垫	1
68			SS6111140SP	SCREW 11/64-40 L=11	螺钉11/64-40 L=11	1
69			WT0530002KS	TOOTHED WASHER D=5.3	垫圈D=5.3	1
70			10201200	RUBBER PLUG	橡胶塞	1
71			22619100	CAP	罩子	1
72			B1105340000	THROAT PLATE	针板	1
73			B1117246000	HOOK	旋板	1
74			B3013141HOB	WASHER	垫圈	1
75			40092676	THOAT PLATE	针板	1

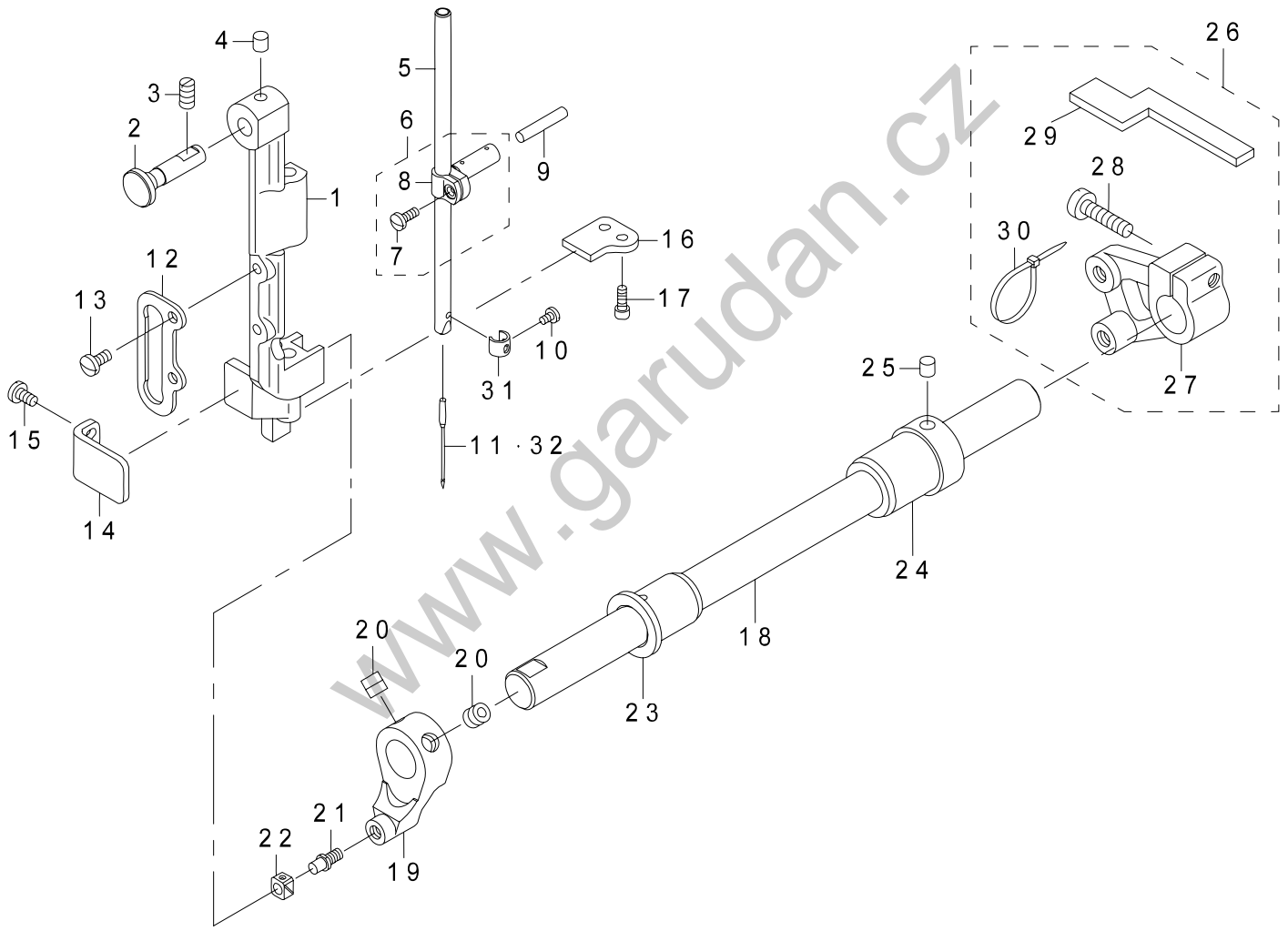


序号	图号	说明	编码及型号	英文名称	中文名称	数量
1	010101		40016798	FACE PLATE ASM.	面板	1
2	010102		SS4111215SP	SCREW 11/64-40 L=12	螺钉11/64-40 L=12	2
3			40019114	LUBRICATION SUPPLEMENT	标签	1
4	010104		21331301	TOP COVER B	顶盖	1
5	010105		SS4110815SP	SCREW 11/64-40 L=8	螺钉11/64-40 L=8	6
6	010106		21355904	ARM THREAD GUIDE	过线板	1
7	010107		SS7621040SP	SCREW 3/16-32 L= 9.5	螺钉3/16-32 L= 9.5	2
8	010108		TA1450404RO	RUBBER PLUG D=14.5 L=4	橡皮塞D=14.5 L=4	1
9	010109		21331756	WINDOW PLATE A ASM.	窗盖板组件	1
10	010110		21331202	SETSCREW	紧定螺钉	1
11	010115		TA0750404RO	PLUG D=7.5 L=3.5	橡皮塞D=7.5 L=3.5	2
12	010111		21331806	WINDOW PLATE B	窗盖板B	1
13	010112		21332002	WINDOW PLATE PACKING B	窗盖板垫B	1
14	010105		SS4110815SP	SCREW 11/64-40 L=8	螺钉11/64-40 L=8	5
15	010114		TA1250504RO	RUBBER PLUG	橡皮塞	2
16	010118		21332309	SIDE COVER	侧盖	1
17	010105		SS4110815SP	SCREW 11/64-40 L=8	螺钉11/64-40 L=8	1
18	010120		21331608	BALANCE COVER	天秤盖	1
19	010121		SS7150910TP	SCREW 15/64-28 L=9	螺钉15/64-28 L=9	1
20	010122		21355805	THREAD GUIDE	过线钩	1
21	010123		SS5090610SP	SCREW 9/64-40 L=6	螺钉9/64-40 L=6	1
22	010122		22603112	THREAD GUIDE	上过线	1
23	010125		SS2090710TP	SCREW 9/64-40 L=7.2	螺钉9/64-40 L=7.2	1
24	010126		40039838	THREAD GUIDE ASM.	过线组件	1
25	010127		40039839	THREAD GUIDE PLATE	导线板	-1
26	010128		17912106	NEEDLE THREAD PRESSER PLATE	面线压板	1
27	010129		B1132521000	THREAD PRESSER PLATE SPRING	压板弹簧	-1
28	010130		SD0380551SL	HINGE SCREW D= 3.80 H= 5.5	铰链螺钉D= 3.80 H=	1
29	010125		SS2090710TP	SCREW 9/64-40 L=7.2	螺钉9/64-40 L=7.2	1
30	010132		B3138512000	TAKE-UP SPRING ADJUSTING PLATE	挑线簧调整板	1
31	010133		SS7090520TP	SCREW 9/64-40 L= 4.5	螺钉9/64-40 L= 4.5	1
38	010114		TA0550604RO	RUBBER PLUG	螺钉	1
40	010114		TA1250504RO	RUBBER PLUG	橡皮塞	3
41	021335		SS4150915SP	SCREW 15/64-28 L=9	螺钉15/64-28 L=9	1
42	020139		CM301300001	SAFETY LABEL	标签	1
43	010152		TA1100604RO	PLUG	橡皮塞	2
44	020149		CM300200001	ATTENTION SEAL	标签	1
45	020150		22901805	GROUND MARK	接地标签	1
53	040153		SS7113110SP	SCREW 1/64-40 L=30	螺钉1/64-40 L=30	2

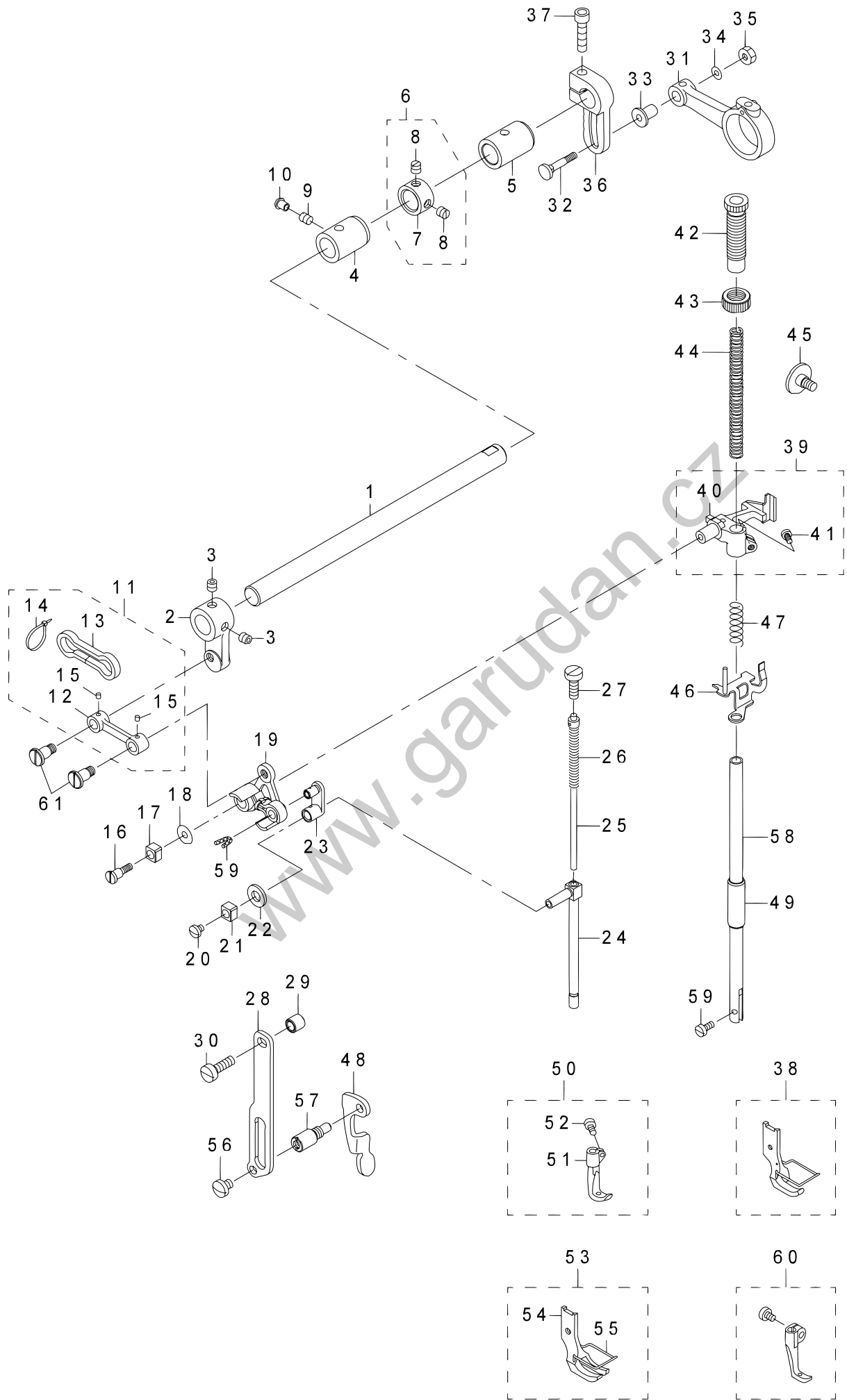
56	040156	21426051	THROAT PLATE BASE COVER ASM.	针板座盖组件	1
62	040162	B1116246000	WING BOLT	碟形螺栓	1
63	021510	SD0800352SP	HINGE SCREW D= 8 H= 3.5	螺钉D= 8 H= 3.5	1
64	LS8A20	SM6081552TP	SCREW M8 L=15	螺钉M8 L=15	8
65	040165	21426507	HINGE	铰链	1
66	040166	21426309	BED HOLDING BASE	底座	1
67	040167	21426408	BED HOLDING BASE PACKING	底座垫	1
68	020160	SS6111140SP	SCREW 11/64-40 L=11	螺钉11/64-40 L=11	1
69	020161	WT0530002KS	TOOTHED WASHER D=5.3	垫圈D=5.3	1
70	010148	10201200	RUBBER PLUG	橡胶塞	1
71	010149	22619100	CAP	罩子	1
76	040176		BED PLATE	底板(左)	1
77	040177	SM11/94-T40X6		沉头螺丝	2
78	040178		BED SLIDE SIDE PLATE RIGHT	底板滑块(右)	1
79	040179		BED SLIDE SIDE PLATE LEFT	底板滑块(左)	1
80	040180			底板滑块(左)	2
81	040181		BED PLATE	底板(右)	1
82	040182			双针牙齿	1
83	040183			联接件	1
84	040184			下托件	1

www.garudan.cz

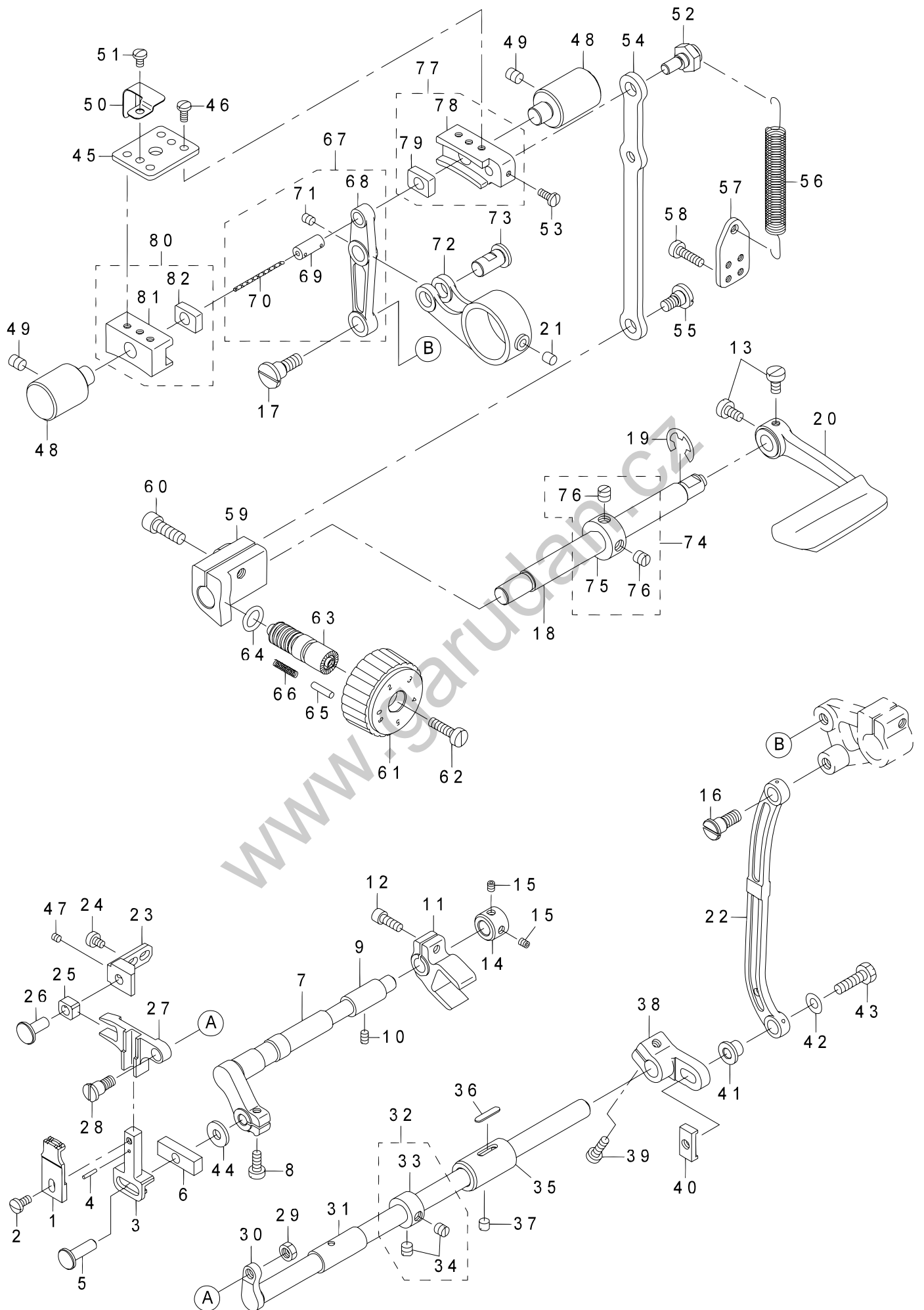
序号	说明	图号	编码及型号	英文名称	中文名称	数量
1			21332705	UPPER SHAFT	上轴	1
2			21333000	UPPER SHAFT FRONT METAL	上轴前轴套	1
3			21402102	THREAD TAKE-UP LEVER	挑线杆 (天秤)	1
4			22605406	TAKE-UP LEVER THRUST PIN	天秤固定销	1
5			CQ202000000	OIL WICK	油线	3
6			B1906051000	TAKE-UP LEVER PIN	挑线杆销	1
7			CQ303000000	OIL WICK	油线	2
8			SS8150822TP	SCREW 15/64-28 L=8	螺钉15/64-28 L=8	2
9			21339106	NEEDLE BAR CRANK ROD	针杆曲柄	1
10			B1210051000	NEEDLE BAR CRANK PIN	针杆曲柄销	1
11			CQ505000000	OIL WICK	油线	3
12			21332507	COUNTER WEIGHT (A) (36MM)	挑线杆销	1
13			SS8150822TP	SCREW 15/64-28 L=8	螺钉15/64-28 L=8	2
14			SM8080812TP	SCREW M8X8	螺钉M8X8	2
15			21339502	UPPER FEED CAM (3.5)	上送料凸轮	1
16			SS8660810TP	SCREW 1/4-40 L=8	螺钉1/4-40 L=8	2
17			21333109	UPPER SHAFT INNER METAL	上轴内套	1
18			CQ202000000	OIL WICK	油线	5
19			21336557	ECCENTRIC CAM A ASM.	偏心凸轮组件	1
20			21336508	ECCENTRIC CAM A	偏心凸轮A	-1
21			SS8660810TP	SCREW 1/4-40 L=8	螺钉1/4-40 L=8	2
22			21353008	HORIZONTAL FEED CAM COVER	水平送料凸轮盖板	1
23			SS7110710SP	SCREW 11/64-40 L=7	螺钉11/64-40 L=7	2
24			22604904	UPPER SPROCKET	上轴同步轮	1
25			SS6661110SP	SCREW 1/4-40 L=11	螺钉1/4-40 L=11	2
26			21427109	TIMING BELT	同步带	1
27			21402300	UPPER SHAFT BEARING HOOK	前轴轴承套	1
28			SM8060602TP	SCREW M6X6	螺钉M6X6	2
29			B1203512000	BUSHING REAR	轴承办6005N	1
30			21334008	FLYWHEEL	飞轮	1
31			SS8150822TP	SCREW 15/64-28 L=8	螺钉15/64-28 L=8	2
32			21333406	BALANCER	天秤	1
33			SS8151550SP	SCREW 15/64-28 L=15	螺钉15/64-28 L=15	2
34			B1905053000	THREAD TAKE-UP	挑线杆	1
35			B1907051000	TAKE-UP LEVER THRUST PIN	天秤固定销	1
36			SS8150710TP	SCREW 15/64-28 L=7	螺钉15/64-28 L=7	1
37			TA0750704R0	RUBBER PLUG	橡皮塞	1



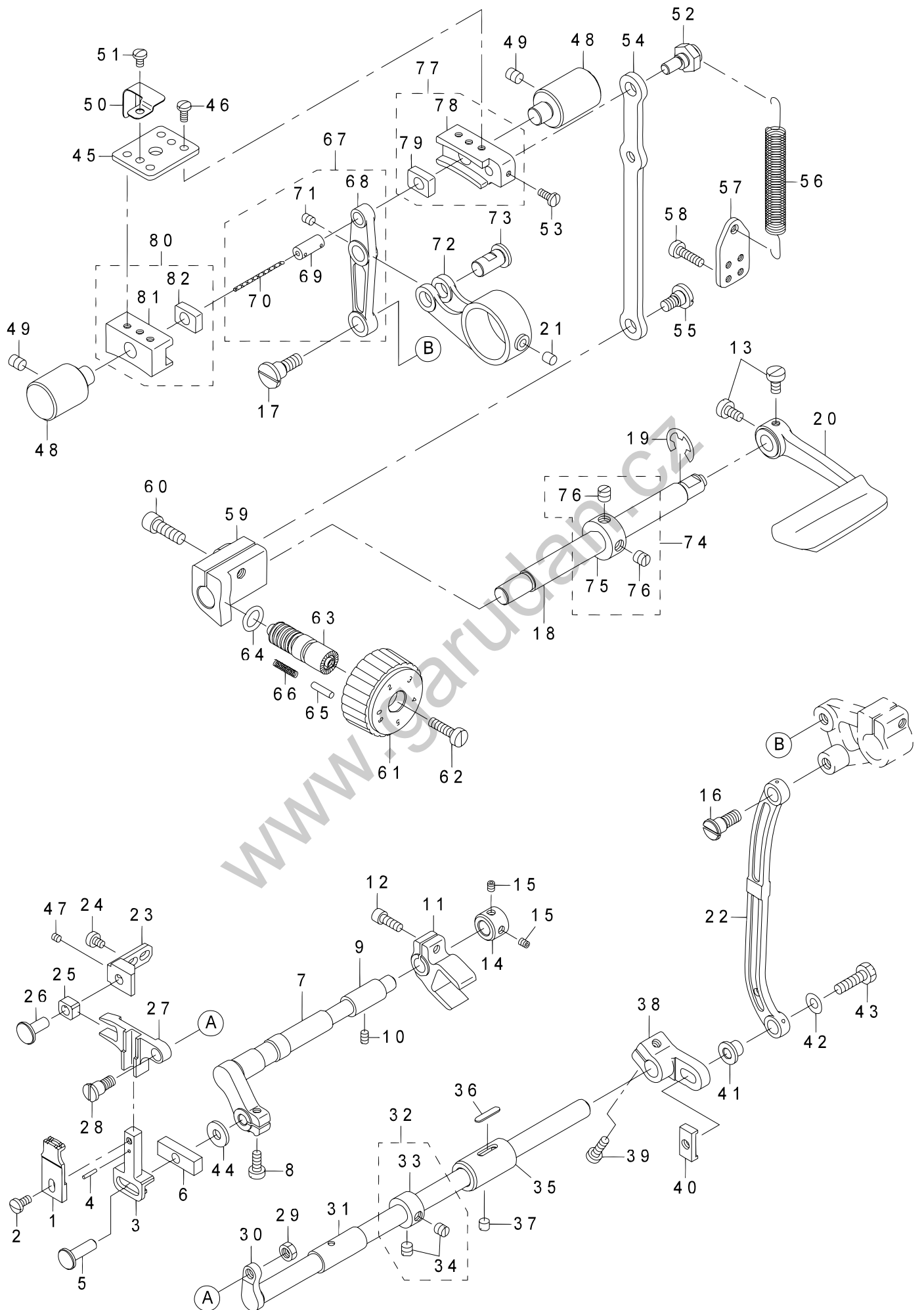
序号	说明	图号	编码及型号	英文名称	中文名称	数量
1			B1420563000	NEEDLE BAR FRAME	针杆摇架	1
2			21405204	HINGE STUD	铰链销	1
3			SS8151150TP	SCREW 15/64-28 L=10.5	螺钉15/64-28 L=10.	1
4			22814909	FELT	油毡	1
5	*		40092246	NEEDLE BAR	针杆	1
6			B14110530A0	NEEDLE BAR CONNECTION ASM.	针杆连杆组件	1
7			SS7090910SP	SCREW 9/64-40 L= 8.5	螺钉9/64-40 L= 8.5	1
8			B1411053000	NEEDLE BAR CONNECTION	针杆连接件	1
9			B1412051000	FELT	油毡	1
10			SS7080510TP	SCREW 1/8-44 L=4.5	螺钉1/8-44 L=4.5	1
11	*		M13517B1600	NEEDLE 135X17 #160	机针	1
12			B1467563000	UPPER FEED BAR GUIDE	上送料凸轮	1
13			SS7110910TP	SCREW 11/64-40 L= 8.5	螺钉11/64-40 L= 8.5	2
14			21338702	ROCKING BASE GUIDE	滑块导向座	1
15			SS7110830SP	SCREW 11/64-40 L= 7.5	螺钉11/64-40 L= 7.5	2
16			21338603	ROCKING BASE GUIDE (B)	滑块导向座 (B)	1
17			SS6091022TP	SCREW	螺钉	2
18			21338900	ROCKING SHAFT	摆轴	1
19			21338801	ROCKING FRONT ARM	摆动前臂	1
20			SM8080802TP	SCREW	螺钉	2
21			B1410771000	STUD	螺栓	1
22			B1414232000	SQUARE BLOCK	方滑块	1
23			21339304	ROCKING SHAFT FRONT METAL	摆轴前轴套	1
24			40027746	BUSHING REAR	摆轴后套	1
25			22814909	FELT	油毡	1
26			21430053	ROCKING REAR ARM ASM.	摇动后臂组件	1
27			21430004	ROCKING REAR ARM	摇动后臂	1
28			SS6152440SP	SCREW 15/64-28 L=23.5	螺钉15/64-28 L=23.5	-1
29			21430103	ROCKING REAR ARM FELT	油毡	1
30			EA9500B0100	CABLE BAND	线卡	2
31	*		21338504	NEEDLE BAR THREAD RACK	过线	1
32	*		M13517B1400	NEEDLE 135X17 #140	机针	1



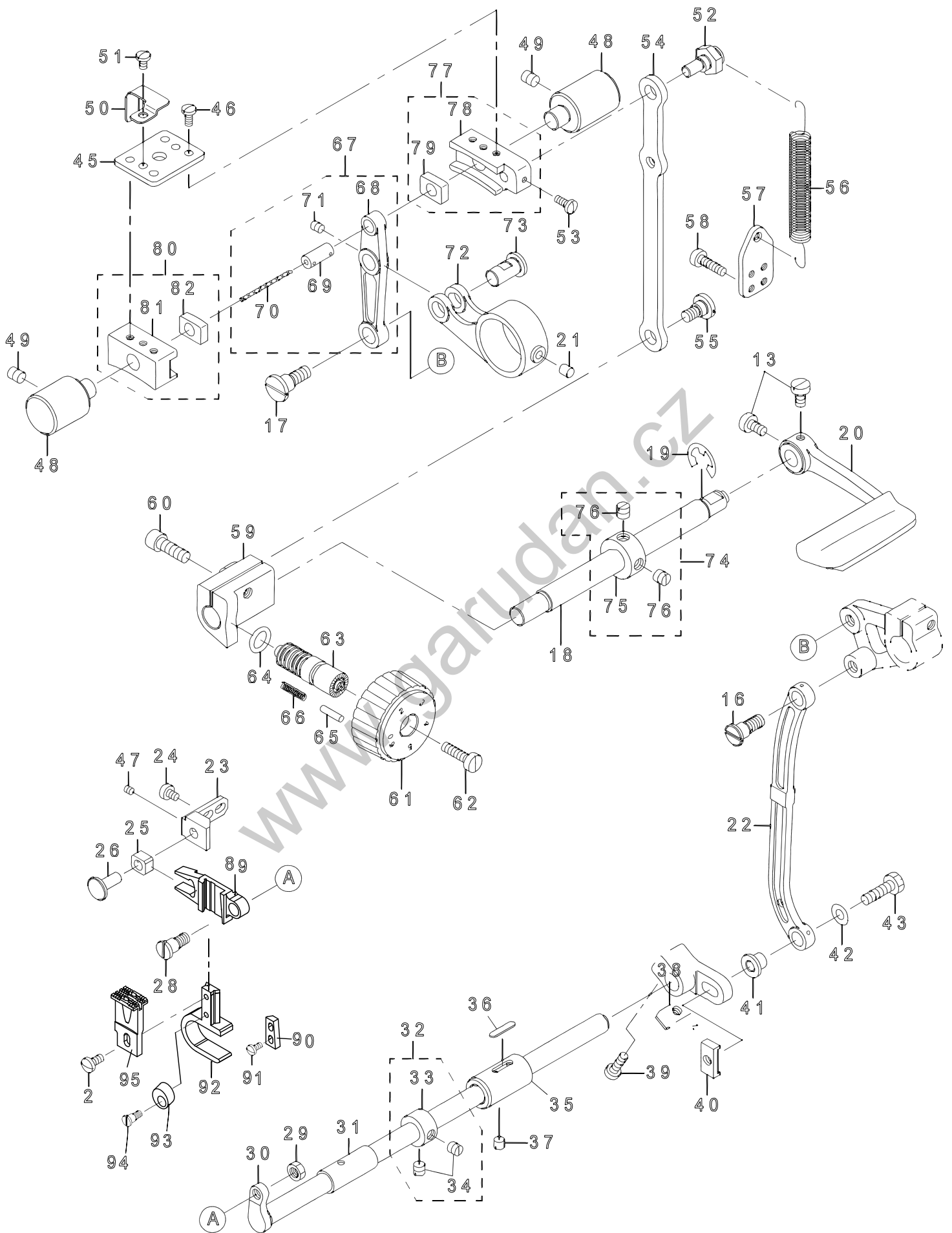
序号	说明	图号	编码及型号	英文名称	中文名称	数量
1			21340401	UPPER FEED SHAFT	上送料轴	1
2			21340500	UPPER FEED FRONT ARM	上送料前臂	1
3			SS8660612TP	SCREW 1/4-40 L=6	螺钉1/4-40 L=6	2
4			40039326	FRONT METAL	前轴套	1
5			21378302	FEED SHAFT METAL	送料轴套	1
6			22904155	MAIN SHAFT THRUST COLLAR ASM.	主轴止推紧圈组件	1
7			22904106	MAIN SHAFT THRUST COLLAR	主轴止推紧圈	-1
8			SS8660610TP	SCREW 1/4-40 L=6	螺钉1/4-40 L=6	2
9			SS8150710SP	SCREW 15/64-28 L=7	螺钉15/64-28 L=7	1
10			TA0550604R0	RUBBER PLUG	橡皮塞	1
11			40033027	UPPER FEED LINK ASM.	走步压杆组件	1
12			40033026	UPPER FEED LINK	上送料连杆	-1
13			21347109	FELT	油毡	-1
14			EA9500B0000	CLIP CV-70S	线卡	-2
15			CQ3000000F0	OIL FELT	羊毛毡	-2
16			40018339	SCREW	螺钉	1
17			B1414555000	SLIDE BLOCK	滑块	1
18			WP0501046SC	WASHER 5 X 13 X 1	垫圈5 X 13 X 1	1
19			40033029	TRIANGULAR LEVER ASM.	三角杠杆	1
20			SS7110510SP	SCREW 11/64-40 L=5	螺钉11/64-40 L=5	1
21			B1414555000	SLIDE BLOCK	滑块	1
22			10509701	FELT	油毡	1
23			40018341	WALKING BAR DRIVING LINK	走步压杆驱动连杆	1
24			40033030	WALKING BAR A	走步压杆	1
25			B14670530A0	WALKING BAR ASM.	走步压杆组件	1
26			B1468053000	WALKING BAR SPRING	走步压杆簧	1
27			SS6151780SP	SCREW 15/64-28 L=17.0	螺钉15/64-28 L=17.0	1
28			21406509	UPPER FEED GUIDE PLATE	送料导向板	1
29			26225201	ROLLER	滚柱	1
30			SS6151920SP	SCREW 15/64-28 L=19.0	螺钉15/64-28 L=19.0	1
31			21340104	UPPER FEED ROD	上送料连杆	1
32			D1456055B00	HINGE SCREW	螺钉	1
33			D1455055B00	CONNECTING STUD	连杆栓	1
34			WP0482086SD	WASHER 4. 8X11. 5X2	平垫4. 8X11. 5X2	1
35			NS6110530SP	NUT 11/64-40	螺母11/64-40	1
36			21437900	UPPER FEED REAR ARM	上送料后臂	1
37			SM6062502TP	SCREW M6 L=25	螺钉M6 L=25	1
38			B1525563DA0	PRESSER FOOT ASM.	压脚组件	1
39			40033032	PRESSER BAR HOLDER A ASM.	压杆座组件	1
40			40033031	PRESSER BAR HOLDER A	压杆座	1
41			SS7110910TP	SCREW 11/64-40 L= 8.5	螺钉11/64-40 L= 8.5	1
42			21340906	PRESSER ADJUSTING SCREW	压力调节螺钉	1
43			22907604	PRESSER SPRING REGULATOR NUT	螺帽	1
44			B1502246000	PRESSER SPRING	压簧	1
45			SD0800481SP	HINGE SCREW D= 8 H= 4.9	螺钉D= 8 H= 4.9	1
46			21341151	THREAD RELEASE HOLDING PLATE	松线支持板	1
47			B1462053000	THREAD RELEASE SPRING	松线簧	1
48			21406103	PRESSER LIFTER LEVER	抬压脚杠杆	1
49			B1510155000	PRESSER BAR LOWER BUSHING	压杆下套	1
50			B1470241HA0	WALKING FOOT ASM.	走步压脚组件	1
51			B1470241H00	WALKING FOOT	走步压脚	1
52			B1471241H00	SCREW	螺钉	-1
53			B1525241HA0	PRESSER FOOT ASM.	压脚组件	1
54			B1525241H00	PRESSER FOOT	压脚	1
55			10337905	FINGER GUARD	护手圈	1
56			SS7150740SP	SCREW 15/64-28 L=7	螺钉15/64-28 L=7	1
57			21406608	GUIDE PLATE SPACER	导线板垫	1
58			B1501241H00	PRESSER BAR	压杆	1
59	*		SS6090910TP	SCREW 9/64-40 L=9	螺钉9/64-40 L=9	1
60			B14700530A0	WALKING FOOT ASM.	走步压杆组件	1
61			40018340	SCREW	螺钉	2



序号	说明	图号	编码及型号	英文名称	中文名称	数量
1			21435003	FEED DOG	送料牙	1
2			SS7110840SP	SCREW 11/64-40 L=7.8	螺钉11/64-40 L=7.8	1
3	*		40091243	FEED BASE	送料座	1
4			PS0200102KH	SPRING PIN 2.0 X 10	弹簧销2.0 X 10	1
5	*		40091250	FEED BASE PIN	送料座销	1
6	*		40091254	FEED BASE SQUARE BLOCK	方滑块	1
7			21429006	VERTICAL FEED SHAFT	垂直送料轴	1
8			SS6121220TP	SCREW 3/16-28 L=11.5	螺钉3/16-28 L=11.5	1
9	*		40091315	VERTICAL FEED SHAFT METAL	垂直送料轴轴套	1
10			SS8110710SP	SCREW 11/64-40 L=6.5	螺钉11/64-40 L=6.5	1
11			21429808	VERTICAL FEED BRANCH	垂直送料凸轮	1
12			SM6051402TP	SCREW M5X0.8 L=14	螺钉M5X0.8 L=14	1
13			SS6120930TP	SCREW 3/16-28 L=9	螺钉3/16-28 L=9	2
14			21429709	VERTICAL FEED THRUST COLLAR	垂直送料止推紧圈	1
15	*		SM8050402TP	SCREW	螺钉	2
16			SD0900701TP	HINGE SCREW D= 9 H= 7	螺钉D= 9 H= 7	1
17			SD1000801SH	HINGE SCREW D=10 H=8	螺钉D=10 H=8	1
18			21336300	BACKWARD FEED LEVER SHAFT	反向送料机械杆轴	1
19			RE0900000K0	E-RING 9	开口挡圈	1
20			21388004	REVERSE FEED ROCK SHAFT	倒缝控制杆	1
21			21387402	HORIZONTAL FEED ROD OIL FELT	油毡	1
22			10205201	NEEDLE BAR FRAME ROD	针杆连杆	1
23	*		40091248	HORIZONTAL FEED BASE SUPPORT	水平送料座	1
24			SS6110610TP	SCREW 11/64-40 L=6	螺钉11/64-40 L=6	2
25	*		40091244	SQUARE BLOCK	方滑块	1
26	*		40091245	HORIZONTAL FEED BASE SUPPORT	螺钉	1
27	*		40091242	HORIZONTAL FEED BASE	水平送料座	1
28			SD0790701SP	HINGE SCREW D=7.94 H=7	螺钉D=7.94 H=7	1
29			NS6660430SP	NUT 1/4-40	螺钉1/4-40	1
30			21427604	HORIZONTAL FEED SHAFT	水平送料轴	1
31			B1607246000	BUSHING FRONT	衬套	1
32			CS111101CSH	THRUST COLLAR ASM. D=11.11 W=10	止推紧圈组件D=11.11	1
33			CS1111019SH	THRUST COLLAR D=11.11 W=10	止推紧圈D=11.11	-1
34			SS8660610TP	SCREW 1/4-40 L=6	螺钉1/4-40 L=6	2
35			21427703	HORIZONTAL FEED SHAFT D	水平送料轴套 D	1
36			B1806038000	OIL FELT	油线	1
37			SS8150510TP	SCREW 15/64-28 L= 4.7	螺钉15/64-28 L= 4.7	1
38			21428305	HORIZONTAL FEED ARM	水平送料凸轮	1
39			SS6121610TP	SCREW 3/16-28 L=15.5	螺钉3/16-28 L=15.5	1
40			21428503	HORIZONTAL FEED ARM STOPPER	水平送料凸轮限位器	1
41			21428404	HORIZONTAL FEED ARM ROD	水平送料凸轮杆	1
42			WP0621016SH	WASHER	平垫	1
43			SS9152130CP	SCREW 15/64-28 L=20.5	螺钉15/64-28 L=20.5	1
44	*		40090727	WASHER	垫片	1
45	*		21407408	FITTING PLATE	送料调节连接板	2
46			SS7110910TP	SCREW 11/64-40 L= 8.5	螺钉11/64-40 L= 8.5	4
47	*		SS8110422TP	SCREW 11/64-40 L=4	螺钉11/64-40 L=4	2
48			21337803	FEED ADJUSTING BASE SUPPORT	送料调节座支架	2
49			SS8150822TP	SCREW 15/64-28 L=8	螺钉15/64-28 L=8	2
50	*		40038712	FELT HOLDER	毛毡座	1
51	*		SS7110710SP	SCREW 11/64-40 L=7	螺钉 11/64-40 L=7	2



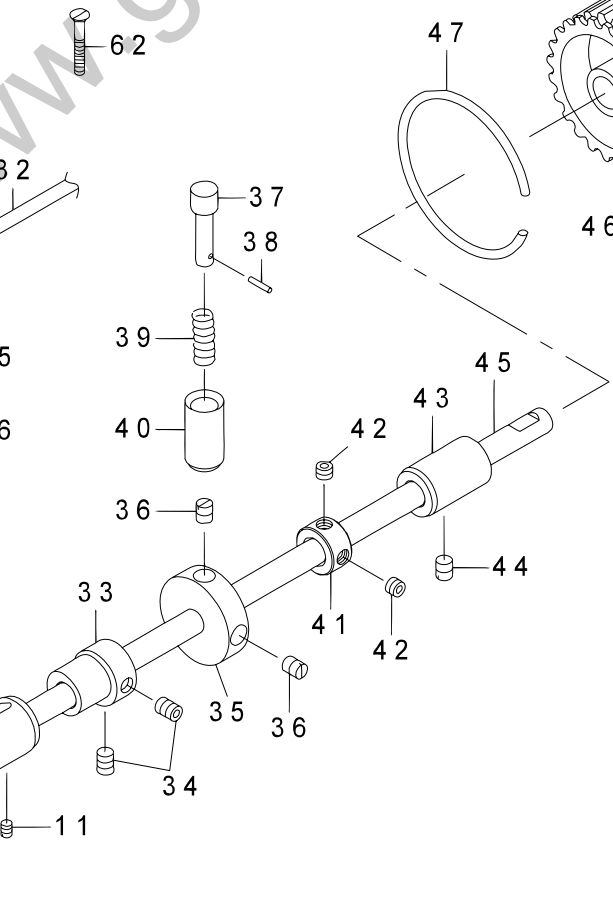
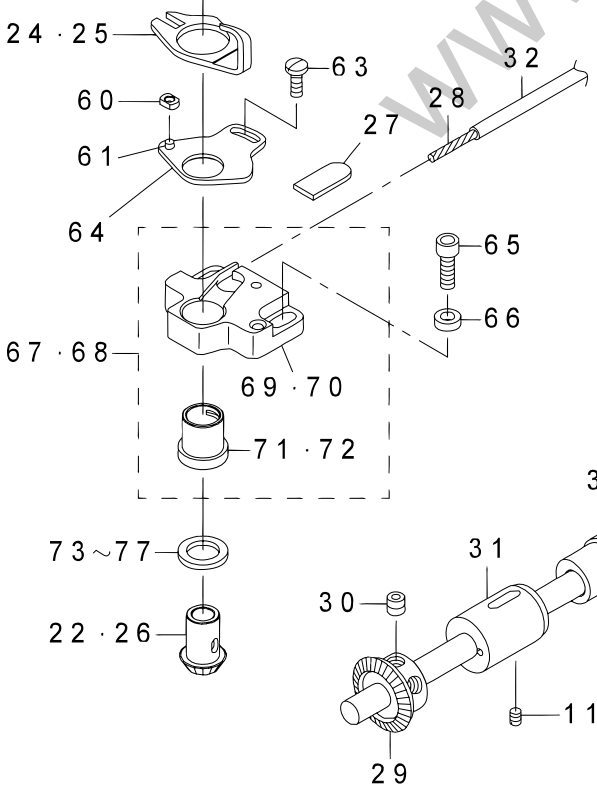
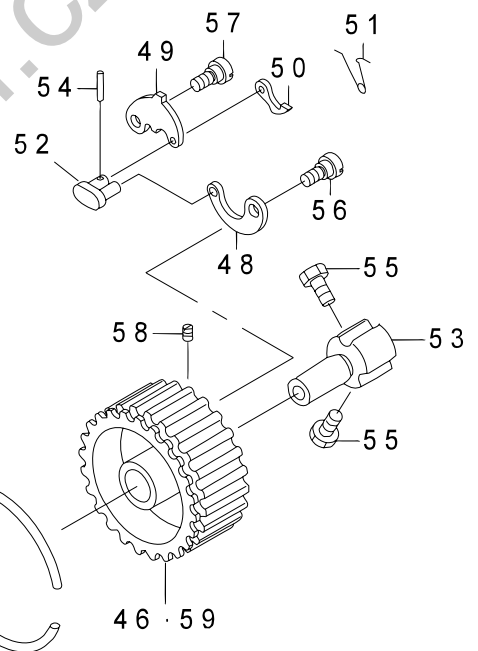
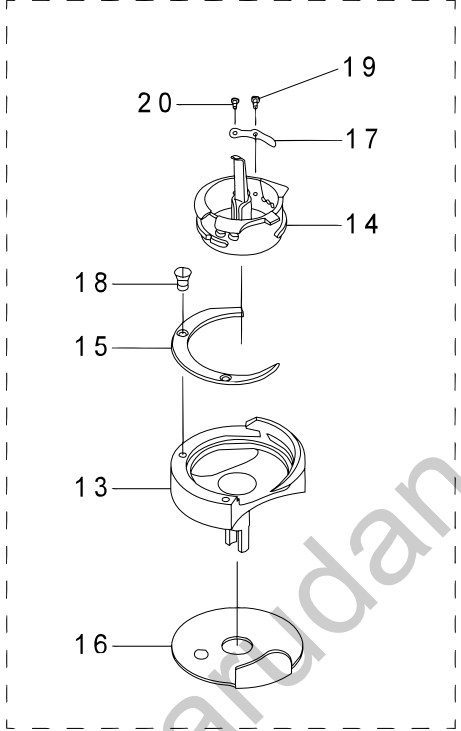
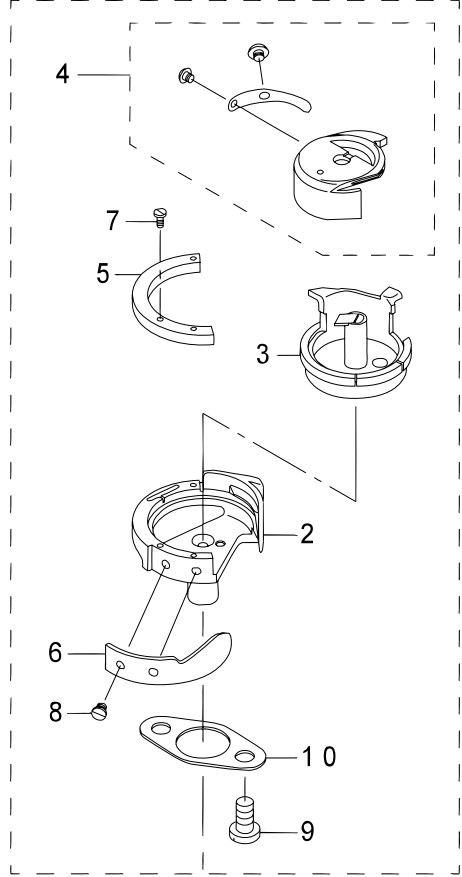
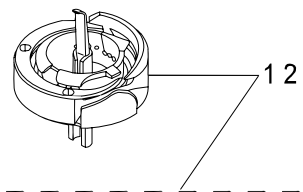
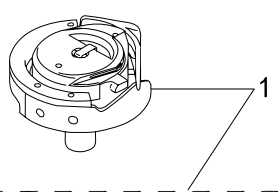
序号	说明	图号	编码及型号	英文名称	中文名称	数量
52			21337902	ECCENTRIC PIN	偏心销	1
53			SS7090910TP	SCREW 9/64-40 L= 8.5	螺钉9/64-40 L= 8.5	2
54			21337308	FEED ADJUSTING ROD	送料调节连杆	1
55			SD0800402TP	HINGE SCREW D= 8 H=4	螺钉D= 8 H=4	1
56			21337605	SPRING	弹簧	1
57	*		40019926	SPRING HOOK	弹簧钩板	1
58			SS6111610SP	SCREW 11/64-40 L=16	螺钉11/64-40 L=16	2
59			21430202	FEED ADJUSTING	送料调节快	1
60			SM6061802TP	SCREW M6 L=18	螺钉M6 L=18	1
61			21430301	FEED ADJUSTING DIAL	送料调节刻度盘	1
62			SS6121860SP	SCREW 3/16-28 L=18	螺钉3/16-28 L=18	1
63			22911804	FEED REGULATOR SCREW	送料调节器螺钉	1
64			R0092270200	RUBBER RING	橡胶圈	1
65			22912000	FEED REGULATOR PIN	螺钉	1
66			22912109	FEED REGULATOR PIN SPRING	送料调节器销弹簧	1
67			21336656	FEED LINK ASM.	送料连杆组件	1
68			21336607	FEED LINK	送料连杆	-1
69			B1418761000	CONNECTING FORKED LINK PIN	叉形连杆销	-1
70			CQ202000000	OIL WICK	油线	4
71			SM8050612TP	SCREW M5X6	销子M5X6	1
72			21336706	FEED ROD A	送料连杆	1
73			21338207	FEED LINK PIN	送料连杆销	1
74			CS1201010SH	THRUST COLLAR ASM. D=12 W=10	止推紧圈组件D=12 W=10	1
75			CS1201011SH	THRUST COLLAR D=12 W=10	止推紧圈D=12 W=10	-1
76			SS8660610TP	SCREW 1/4-40 L=6	螺钉1/4-40 L=6	2
77	*		40081970	FEED ADJUSTING BASE	送料调节右座组件	1
78			21407200	FEED ADJUSTING BASE	送料调节右座	-1
79			21407309	SQUARE BLOCK	滑块	-1
80	*		40081969	FEED ADJUSTING BASE B SET	送料调节左座组件	1
81			40038711	FEED ADJUSTING BASE B	送料调节左座组件	-1
82			21407309	SQUARE BLOCK	滑块	-1



序号	图号	说明	编码及型号	英文名称	中文名称	数量
16	010517		SD0900701TP	HINGE SCREW D= 9 H= 7	螺钉D= 9 H= 7	1
17	010550		SD1000801SH	HINGE SCREW D=10 H=8	螺钉D=10 H=8	1
18	010551		21336300	BACKWARD FEED LEVER SHAFT	反向送料机械杆轴	1
19	010555		RE0900000K0	E-RING 9	开口挡圈	1
20	010556		21388004	REVERSE FEED ROCK SHAFT	倒缝控制杆	1
21	010304		21387402	HORIZONTAL FEED ROD OIL FELT	油毡	1
22	010516		10205201	NEEDLE BAR FRAME ROD	针杆连杆	1
23	040523		40091248	HORIZONTAL FEED BASE SUPPORT	水平送料座	1
24	010223		SS6110610TP	SCREW 11/64-40 L=6	螺钉11/64-40 L=6	2
25	040525		40091244	SQUARE BLOCK	方滑块	1
26	040526		40091245	HORIZONTAL FEED BASE SUPPORT PIN	螺钉	1
28	040528		SD0790701SP	HINGE SCREW D=7.94 H=7	螺钉D=7.94 H=7	1
29	040529		NS6660430SP	NUT 1/4-40	螺母1/4-40	1
30	040530		21427604	HORIZONTAL FEED SHAFT	水平送料轴	1
31	040531		B1607246000	BUSHING FRONT	衬套	1
32	040532		CS1111101CSH	THRUST COLLAR ASM. D=11.11 W=10	止推紧圈组件D=11.11 W=10	1
33	040533		CS11111019SH	THRUST COLLAR D=11.11 W=10	止推紧圈D=11.11 W=10	-1
34	010408		SS8660610TP	SCREW 1/4-40 L=6	螺钉1/4-40 L=6	2
35	040535		21427703	HORIZONTAL FEED SHAFT D	水平送料轴套 D	1
36	010205		B1806038000	OIL FELT	油线	1
37	020643		SS8150510TP	SCREW 15/64-28 L= 4.7	螺钉15/64-28 L= 4.7	1
38	040538		21428305	HORIZONTAL FEED ARM	水平送料凸轮	1
39	010512		SS6121610TP	SCREW 3/16-28 L=15.5	螺钉3/16-28 L=15.5	1
40	040540		21428503	HORIZONTAL FEED ARM STOPPER	水平送料凸轮限位器	1
41	040541		21428404	HORIZONTAL FEED ARM ROD	水平送料凸轮杆	1
42	PD6		WP0621016SH	WASHER	平垫	1
43	010330		SS9152130CP	SCREW 15/64-28 L=20.5	螺钉15/64-28 L=20.5	1
44	040544		40090727	WASHER	垫片	1
47	020655		SS8110422TP	SCREW 11/64-40 L=4	螺钉11/64-40 L=4	2
48	010523		21337803	FEED ADJUSTING BASE SUPPORT	送料调节座支架	2
49	010208		SS8150822TP	SCREW 15/64-28 L=8	螺钉15/64-28 L=8	2

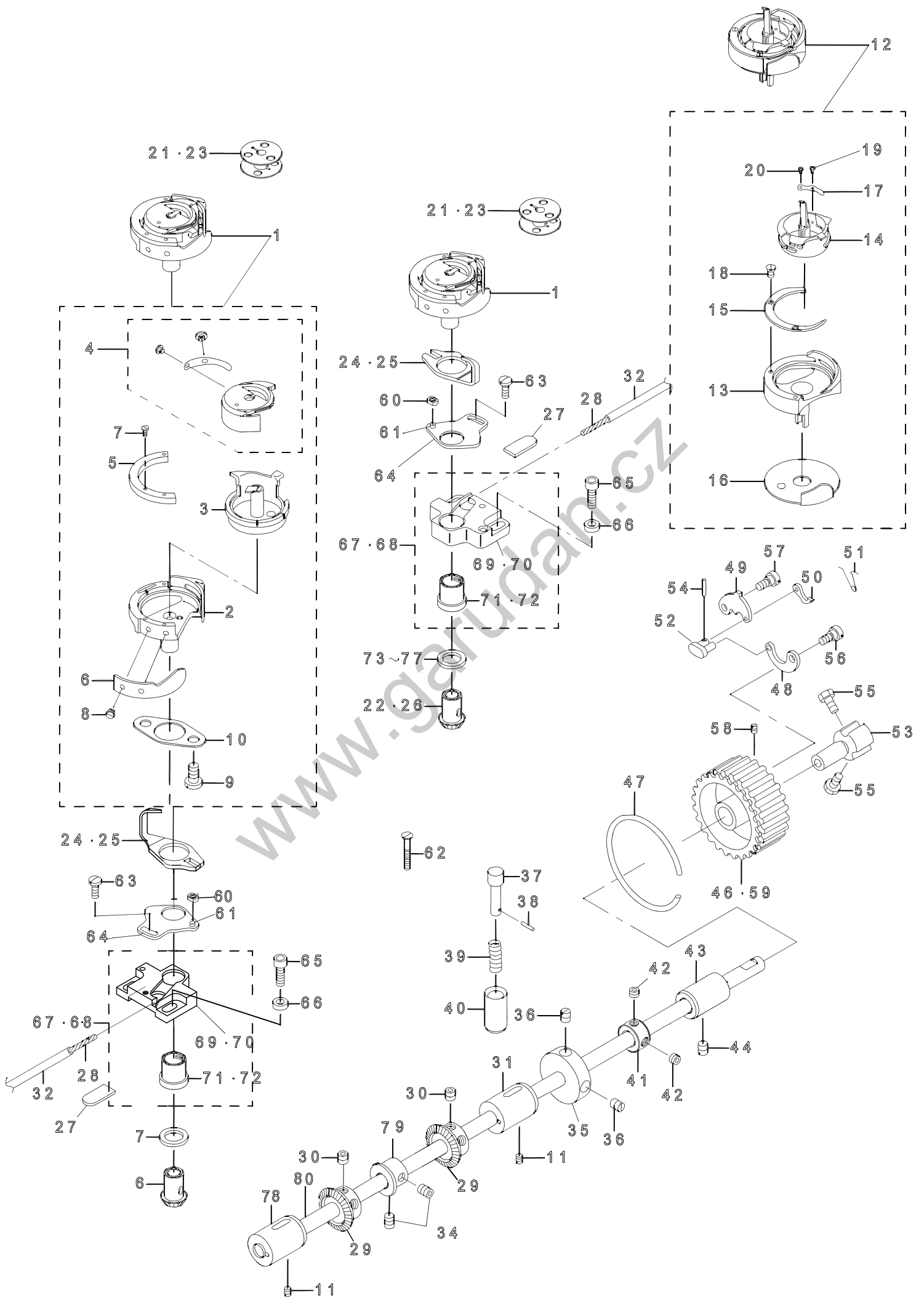
序号	图号	说明	编码及型号	英文名称	中文名称	数量
52	010527		21337902	ECCENTRIC PIN	偏心销	1
53	010528		SS7090910TP	SCREW 9/64-40 L= 8.5	螺钉9/64-40 L= 8.5	2
54	010529		21337308	FEED ADJUSTING ROD	送料调节连杆	1
55	010530		SD0800402TP	HINGE SCREW D= 8 H=4	螺钉D= 8 H=4	1
56	010531		21337605	SPRING	弹簧	1
57	010532		40019926	SPRING HOOK	弹簧钩板	1
58	021610		SS6111610SP	SCREW 11/64-40 L=16	螺钉11/64-40 L=16	2
59	010529		21430202	FEED ADJUSTING	送料调节快	1
60	010535		SM6061802TP	SCREW M6 L=18	螺钉M6 L=18	1
61	010536		21430301	FEED ADJUSTING DIAL	送料调节刻度盘	1
62	010537		SS6121860SP	SCREW 3/16-28 L=18	螺钉3/16-28 L=18	1
63	010538		22911804	FEED REGULATOR SCREW	送料调节器螺钉	1
64	010539		R0092270200	RUBBER RING	橡胶圈	1
65	010540		22912000	FEED REGULATOR PIN	螺钉	1
66	010541		22912109	FEED REGULATOR PIN SPRING	送料调节器销弹簧	1
67	010542		21336656	FEED LINK ASM.	送料连杆组件	1
68	010543		21336607	FEED LINK	送料连杆	-1
69	010544		B1418761000	CONNECTING FORKED LINK PIN	叉形连杆销	-1
70	010205		CQ202000000	OIL WICK	油线	4
71	010505		SM8050612TP	SCREW M5X6	销子M5X6	1
72	010547		21336706	FEED ROD A	送料连杆	1
73	010548		21338207	FEED LINK PIN	送料连杆销	1
74	010552		CS1201010SH	THRUST COLLAR ASM. D=12 W=10	止推紧圈组件D=12 W=10	1
75	010553		CS1201011SH	THRUST COLLAR D=12 W=10	止推紧圈D=12 W=10	-1
76	010408		SS8660610TP	SCREW 1/4-40 L=6	螺钉1/4-40 L=6	2
77	040577		40081970	FEED ADJUSTING BASE	送料调节右座组件	1
78	030771		21407200	FEED ADJUSTING BASE	送料调节右座	-1
79	030727		21407309	SQUARE BLOCK	滑块	-1
80	040580		40081969	FEED ADJUSTING BASE B SET	送料调节左座组件	1
81	030772		40038711	FEED ADJUSTING BASE B	送料调节左座组件	-1
82	030727		21407309	SQUARE BLOCK	滑块	-1
89	040589				水平送料座	1
90	040590				压块	1
91	010310				螺钉	2
92	040592				送料座	1
93	031804				偏心轮	1
94	031805				螺钉	1
95	040595				双针牙齿	1

21 · 23



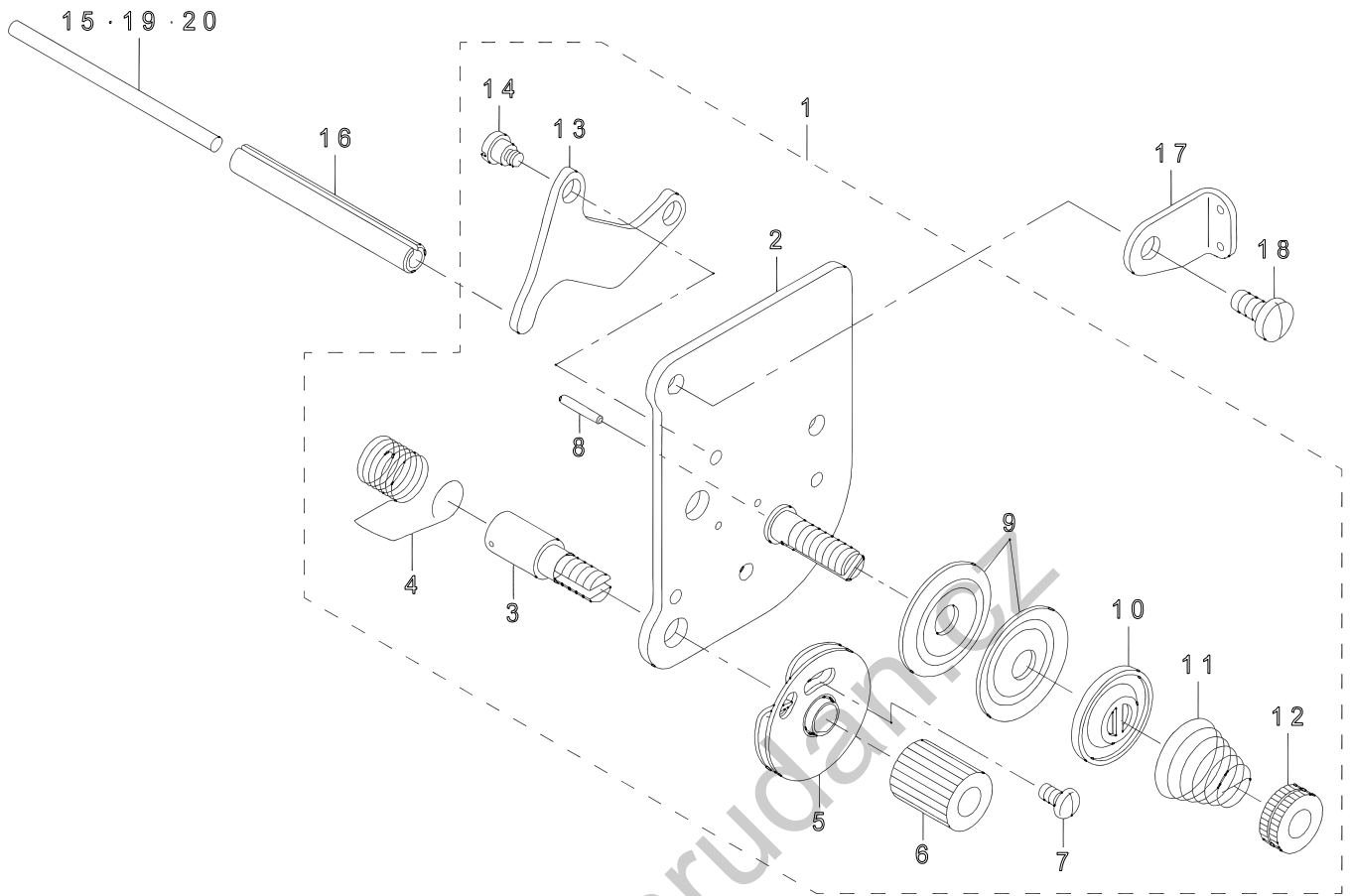
www.gardan.cz

序号	说明	图号	编码及型号	英文名称	中文名称	数量
1	*		21229752	HOOK ASM.	旋梭组件	1
2			21229703	HOOK	旋梭	-1
3			21228101	INNER HOOK	梭芯	-1
4			21229307	CAP	梭芯盖	-1
5			21228200	INNER HOOK PRESSER	梭芯压片	1
6			21229802	NEEDLE GUARD	护针片	-1
7			21228903	SCREW FOR INNER HOOK PRESSER	螺钉	3
8			21229901	SCREW	螺钉	-2
9			21229208	BACK PLATE SETSCREW	螺钉	-2
10			21229406	BACK PLATE	垫片	-1
11			SS8110520TP	SCREW 11/64-40 L= 4.5	螺钉11/64-40 L= 4.5	1
12			B18013400A0	HOOK ASM.	旋梭组件	1
13			B1801340000	HOOK	旋梭	-1
14			B1802340000	INNER HOOK	梭芯	-1
15			B1803340000	INNER HOOK PRESSER	梭芯盖	1
16			B1804340000	NEEDLE GUARD	护针片	-1
17			B1805340000	TENSION SPRING	梭皮	-1
18			B1806340000	INNER HOOK PRESSER SETSCREW	螺钉	2
19			B1807340000	TENSION SCREW	螺钉	-1
20			B1808340000	TENSION SPRING SETSCREW	梭壳打开杆杆	-1
21			B9117201000	BOBBIN	梭芯	1
22			21227301	HOOK SHAFT GEAR	旋梭轴齿轮	1
23			B9117051000	BOBBIN	梭芯	1
24			21227400	INNER HOOK GUIDE	旋梭导向钩	1
25			B1810340000	BOBBIN CASE OPENING LEVER	梭壳打开杆杆	1
26			B1814340000	HOOK SHAFT GEAR	旋梭轴齿轮	1
27			21431200	HOOK SHAFT LUBRICATION FELT	旋梭轴润滑油毡	1
28			CQ202000000	OIL WICK	油线	5
29			B1836246000A	LOWER SHAFT BEVEL GEAR	下轴锥齿轮	1
30			SS8660612TP	SCREW 1/4-40 L=6	螺钉1/4-40 L=6	3
31			B1803246000	BUSHING INTERMEDIATE	轴套(中)	1
32			BT0500300EA	OIL TUBE	油管	0.05
33	*		40092359	FEED VERTICAL TRIANGULAR CAM	垂直送料凸轮	1
34			SS8150822TP	SCREW 15/64-28 L=8	螺钉15/64-28 L=8	2
35			B1301340000	SAFETY CLUTCH DISK	安全离合器板	1
36			SS8150710SP	SCREW 15/64-28 L=7	螺钉15/64-28 L=7	2
37			21223409	SAFETY CLUTCH PUSH BUTTON	安全离合器按钮	1
38			PS0200102KH	SPRING PIN 2.0 X 10	弹簧销2.0 X 10	1
39			B1639051000	SPRING	弹簧	1
40			21223508	PUSH BUTTON CYLINDER	按钮圆筒	1
41			23102700	LOWER SHAFT THRUST HOLDER	下轴止推夹圈	1
42			SS8150432TH	SCREW 15/64-28 L=4	螺钉15/64-28 L=4	2
43			21427307	LOWER SHAFT METAL REAR	下轴套(后)	1
44			SS8150710TP	SCREW 15/64-28 L=7	螺钉15/64-28 L=7	1
45			21427208	LOWER SHAFT	下轴	1
46			21333505	LOWER SPROCKET	下轴同步轮	1
47			B1214019000	SPROCKET RING	同步轮环	1
48			B1305055000A	SAFETY CLUTCH SPRING	安全离合器弹片	1
49			B1307055000	SAFETY CLUTCH HOOK	安全离合器钩	1
50			B1308055000	SAFETY CLUTCH COUNTER-HOOK	安全离合器记数钩	1
51			B1309055000	COUNTER-HOOK SPRING	计数器钩弹簧	1
52			B1310055000	SAFETY CLUTCH SMALL LINK	安全离合器小连杆	1
53			10503605	SAFETY BASE	安全底座	1
54			B1314055000	SAFETY CLUTCH SMALL LINK PIN	安全离合器小连杆销	1
55			SS6661110SP	SCREW 1/4-40 L=11	螺钉1/4-40 L=11	2
56			SD0640322TP	HINGE SCREW D= 6.35 H= 3.2	螺钉D= 6.35 H= 3.2	1
57			SD0640322TP	HINGE SCREW D= 6.35 H= 3.2	螺钉D= 6.35 H= 3.2	1
58			SS8090540SP	SCREW 9/64-40 L=5	螺钉9/64-40 L=5	1
59			21441605	LOWER SPROCKET	螺钉	1
60			B1827246000	SLIDE BLOCK	滑块	1
61			B1826246000	SLIDE BLOCK PIN	滑块销	1
62			SS1092810SP	SCREW 9/64-40 L=25.4	螺钉9/64-40 L=25.4	1
63	*		SS7091110TP	SCREW 9/64-40 L=10.5	螺钉9/64-40 L=10.5	1
64			21231204	ADJUSTING PLATE	调节板	1
65	*		SM6051552TP	SCREW M5 L=15	螺钉M5 L=15	2
66	*		40090530	WASHER	平垫	2
67			40029253	HOOK SHAFT BASE ASM.	旋梭轴支座组件	1
68	*		40091907	HOOK SHAFT BASE ASM.	旋梭轴支座组件	1
69			40029250	HOOK SHAFT BASE	旋梭轴支座	1
70	*		40091897	HOOK SHAFT BASE	旋梭轴支座	1
71			40029246	HOOK SHAFT METAL	旋梭轴轴套	1
72			40029247	HOOK SHAFT METAL	旋梭轴轴套	-1
73			B1820246000	WASHER	垫圈	1
74			B182024600A	WASHER A	垫圈A	1
75			B182024600B	WASHER B	垫圈B	1
76			B182024600C	WASHER C	垫圈C	1
77			B182024600D	WASHER	垫圈	1

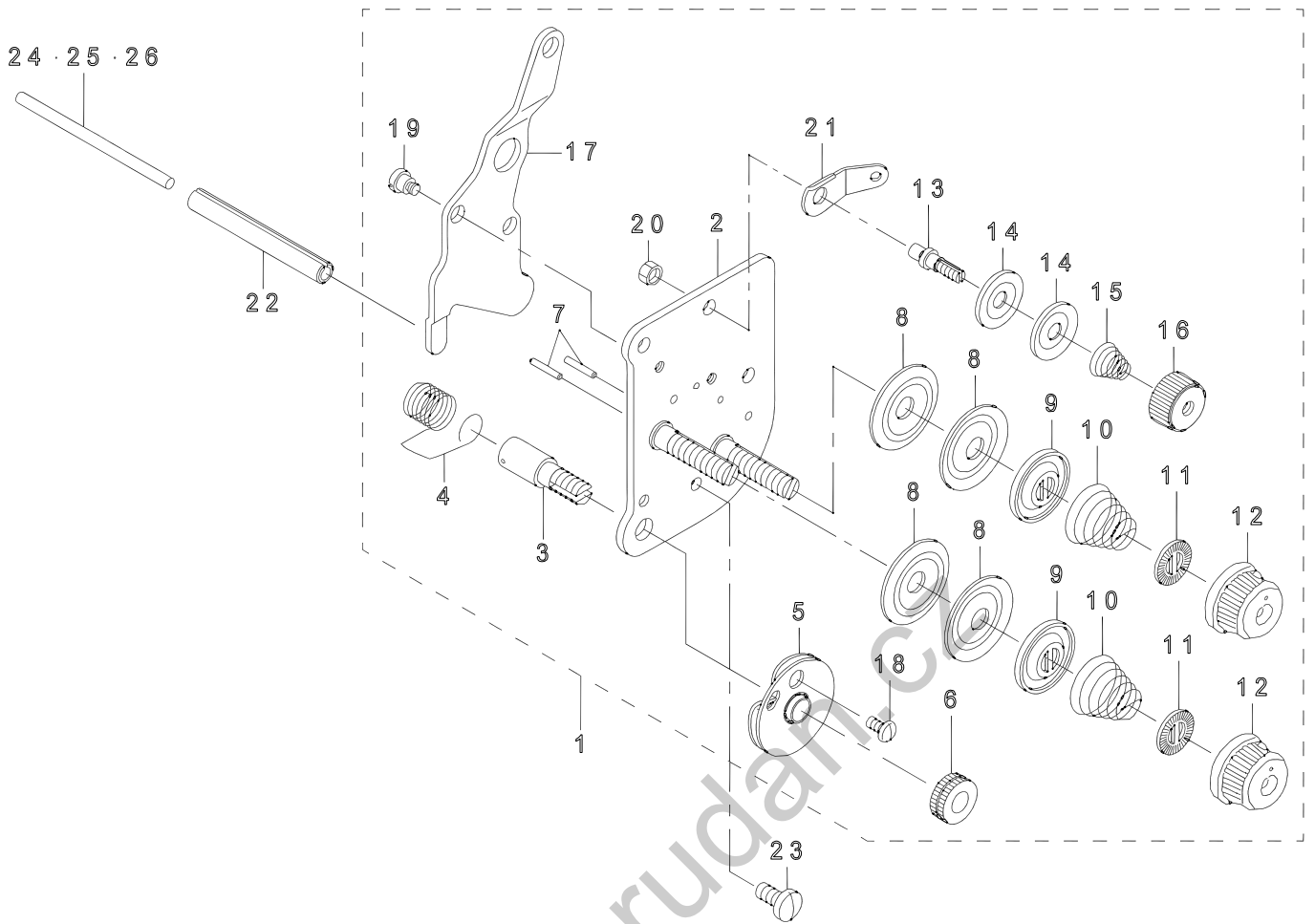


序号	图号	说明	编码及型号	英文名称	中文名称	数量
1	HYM-1341BY		21229752	HOOK ASM.	旋梭组件	1
2			21229703	HOOK	旋梭	-1
3			21228101	INNER HOOK	梭芯	-1
4			21229307	CAP	梭芯盖	-1
5			21228200	INNER HOOK PRESSER	梭芯压片	1
6			21229802	NEEDLE GUARD	护针片	-1
7			21228903	SCREW FOR INNER HOOK PRESSER	螺钉	3
8			21229901	SCREW	螺钉	-2
9			21229208	BACK PLATE SETSCREW	螺钉	-2
10			21229406	BACK PLATE	垫片	-1
11	010645		SS8110520TP	SCREW 11/64-40 L= 4.5	螺钉11/64-40 L= 4.	1
12	HYM-1341BY		B18013400A0	HOOK ASM.	旋梭组件	1
13			B1801340000	HOOK	旋梭	-1
14			B1802340000	INNER HOOK	梭芯	-1
15			B1803340000	INNER HOOK PRESSER	梭芯盖	1
16			B1804340000	NEEDLE GUARD	护针片	-1
17			B1805340000	TENSION SPRING	梭皮	-1
18			B1806340000	INNER HOOK PRESSER SETSCREW	螺钉	2
19			B1807340000	TENSION SCREW	螺钉	-1
20			B1808340000	TENSION SPRING SETSCREW	梭壳打开杠杆	-1
21	010617		B9117201000	BOBBIN	梭芯	1
22	040622		21227301	HOOK SHAFT GEAR	旋梭轴齿轮	1
23	020634		B9117051000	BOBBIN	梭芯	1
24	040624		21227400	INNER HOOK GUIDE	旋梭导向钩	1
25	040625		B1810340000	BOBBIN CASE OPENING LEVER	梭壳打开杠杆	1
26	040626		B1814340000	HOOK SHAFT GEAR	旋梭轴齿轮	1
27	040627		21431200	HOOK SHAFT LUBRICATION FELT	旋梭轴润滑油毡	1
28	010205		CQ202000000	OIL WICK	油线	5
29	040629		B1836246000A	LOWER SHAFT BEVEL GEAR	下轴锥齿轮	1
30	010403		SS8660612TP	SCREW 1/4-40 L=6	螺钉1/4-40 L=6	3
31	040631		B1803246000	BUSHING INTERMEDIATE	轴套(中)	1
32	011121		BT0500300EA	OIL TUBE	油管	0.05
33	040633		40092359	FEED VERTICAL TRIANGULAR CAM	垂直送料凸轮	1
34	010208		SS8150822TP	SCREW 15/64-28 L=8	螺钉15/64-28 L=8	2
35	040635		B1301340000	SAFETY CLUTCH DISK	安全离合器板	1
36	010430		SS8150710SP	SCREW 15/64-28 L=7	螺钉15/64-28 L=7	2
37	040637		21223409	SAFETY CLUTCH PUSH BUTTON	安全离合器按钮	1
38	THX2-10		PS0200102KH	SPRING PIN 2.0 X 10	弹簧销2.0 X 10	1
39	020247		B1639051000	SPRING	弹簧	1
40	040640		21223508	PUSH BUTTON CYLINDER	按钮圆筒	1
41	010644		23102700	LOWER SHAFT THRUST HOLDER	下轴止推夹圈	1
42	010208		SS8150432TH	SCREW 15/64-28 L=4	螺钉15/64-28 L=4	2
43	040643		21427307	LOWER SHAFT METAL REAR	下轴套(后)	1
44	020249		SS8150710TP	SCREW 15/64-28 L=7	螺钉15/64-28 L=7	1
46	020231		21333505	LOWER SPROCKET	下轴同步轮	1
47	010602		B1214019000	SPROCKET RING	同步轮环	1
48	020233		B1305055000A	SAFETY CLUTCH SPRING	安全离合器弹片	1
49	020234		B1307055000	SAFETY CLUTCH HOOK	安全离合器钩	1
50	020235		B1308055000	SAFETY CLUTCH COUNTER-HOOK	安全离合器记数钩	1
51	020236		B1309055000	COUNTER-HOOK SPRING	计数器钩弹簧	1
52	020237		B1310055000	SAFETY CLUTCH SMALL LINK	安全离合器小连杆	1
53	020238		10503605	SAFETY BASE	安全底座	1

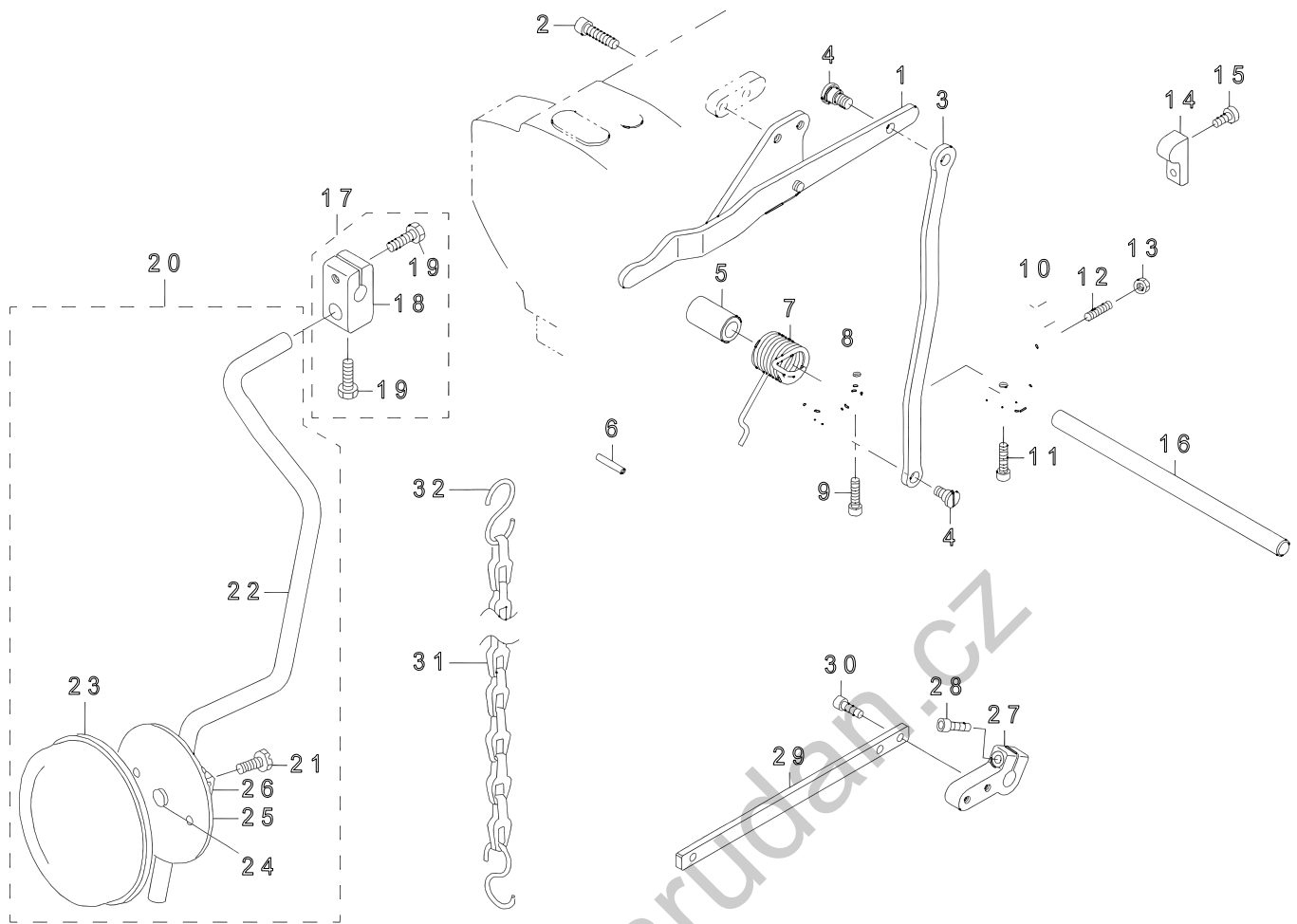
54	020239	B1314055000	SAFETY CLUTCH SMALL LINK PIN	安全离合器小连杆销	1
55	010225	SS6661110SP	SCREW 1/4-40 L=11	螺钉1/4-40 L=11	2
56	020241	SD0640322TP	HINGE SCREW D= 6.35 H= 3.2	螺钉D= 6.35 H= 3.2	1
57	020241	SD0640322TP	HINGE SCREW D= 6.35 H= 3.2	螺钉D= 6.35 H= 3.2	1
58	020243	SS8090540SP	SCREW 9/64-40 L=5	螺钉9/64-40 L=5	1
59	0200231	21441605	LOWER SPROCKET	螺钉	1
60	040660	B1827246000	SLIDE BLOCK	滑块	1
61	040661	B1826246000	SLIDE BLOCK PIN	滑块销	1
62	031931	SS1092810SP	SCREW 9/64-40 L=25.4	螺钉9/64-40 L=25.4	1
63	010528	SS7091110TP	SCREW 9/64-40 L=10.5	螺钉9/64-40 L=10.5	1
64	040664	21231204	ADJUSTING PLATE	调节板	1
65	LS5A10	SM6051552TP	SCREW M5 L=15	螺钉M5 L=15	2
66	PD5	40090530	WASHER	平垫	2
67	040667	40029253	HOOK SHAFT BASE ASM.	旋梭轴支座组件	1
68	040668	40091907	HOOK SHAFT BASE ASM.	旋梭轴支座组件	1
69	040669	40029250	HOOK SHAFT BASE	旋梭轴支座	1
70	040670	40091897	HOOK SHAFT BASE	旋梭轴支座	1
71	040671	40029246	HOOK SHAFT METAL	旋梭轴轴套	1
72	040672	40029247	HOOK SHAFT METAL	旋梭轴轴套	-1
78	040678			轴套（联接件）	1
79	040679			垂直送料凸轮	1
80	040680			下轴	1



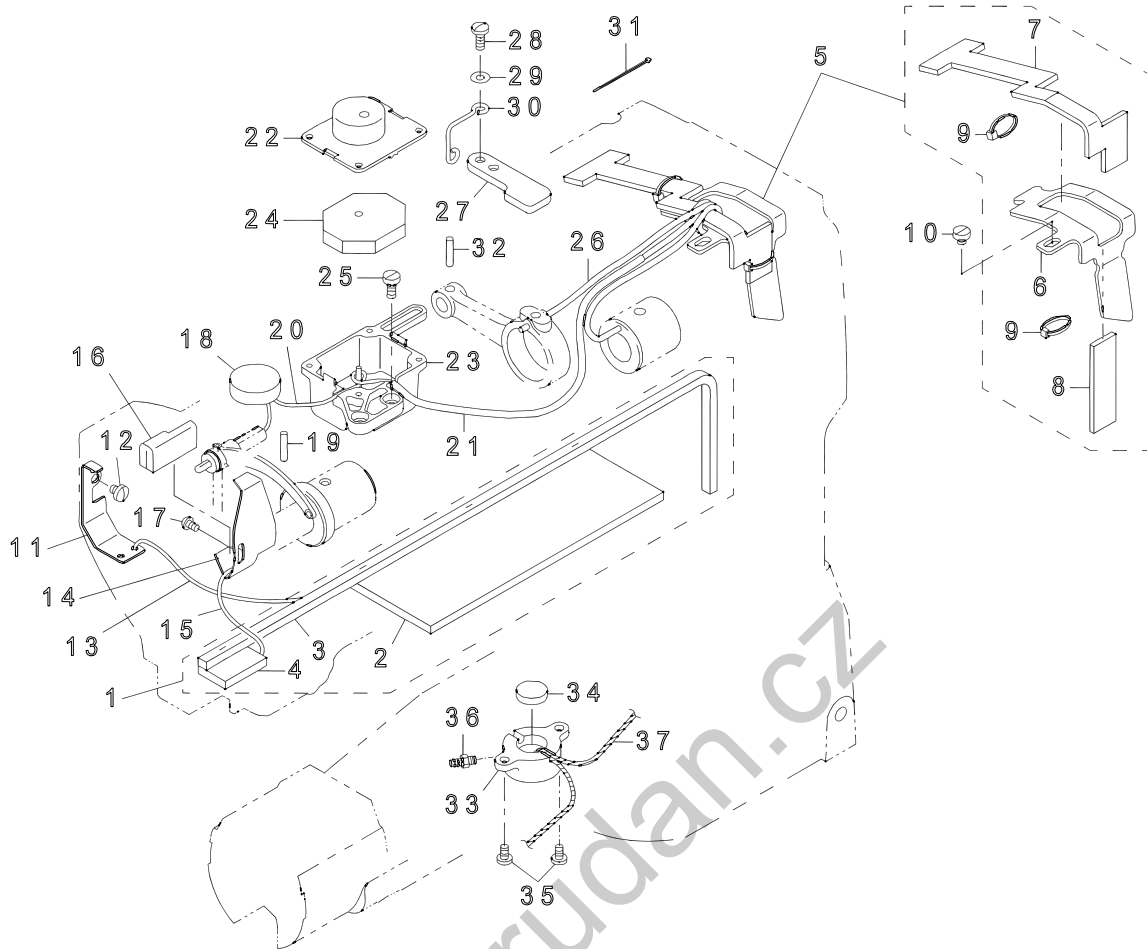
序号	说明	图号	编码及型号	英文名称	中文名称	数量
1			21409065	THREAD TENSION ASM.	夹线器组件	1
2			21409057	THREAD POST BASE COMPL.	夹线器座	1
3			10320109	SCREW STUD	紧定螺钉	-1
4			B3128520000	TENSION SPRING	挑线簧	-1
5			B31370510A0	TAKE-UP SPRING GUIDE DISC ASM.	挑线簧过线盘组件	-1
6			10320208	THRED TENSION STUD NUT	夹线螺母	1
7			SS4080610SP	SCREW 1/8-44 L=6.4	螺钉1/8-44 L=6.4	1
8			B3127051000	TENSION RELEASE PIN SHORT	松线销(短)	-1
9			B3126012000	THREAD TENSION DISK	夹线板	-2
10			22617906	THREAD TENSION DISK PRESSER	夹线板压板	1
11			B3129053000	TENSION SPRING	夹线簧	-1
12			B3125012000	THREAD TENSION NUT	夹线螺母	1
13			B3134521000	TENSION RELEASE LEVER	松线杠杆	1
14			SD0470281SP	HINGE SCREW D=4.7 H=2.8	螺钉D=4.7 H=2.8	2
15			23006406	TENSION RELEASE BAR	松线杆	1
16			PS0600502KP	SPRING PIN	弹簧销	1
17			21409909	GUIDE PLATE	固定板	1
18			SS7110910TP	SCREW 11/64-40 L= 8.5	螺钉11/64-40 L= 8.5	2
19			21348206	TENSION RELEASE BAR	松线杆	1
20			10321107	TENSION RELEASE BAR	松线杆	1



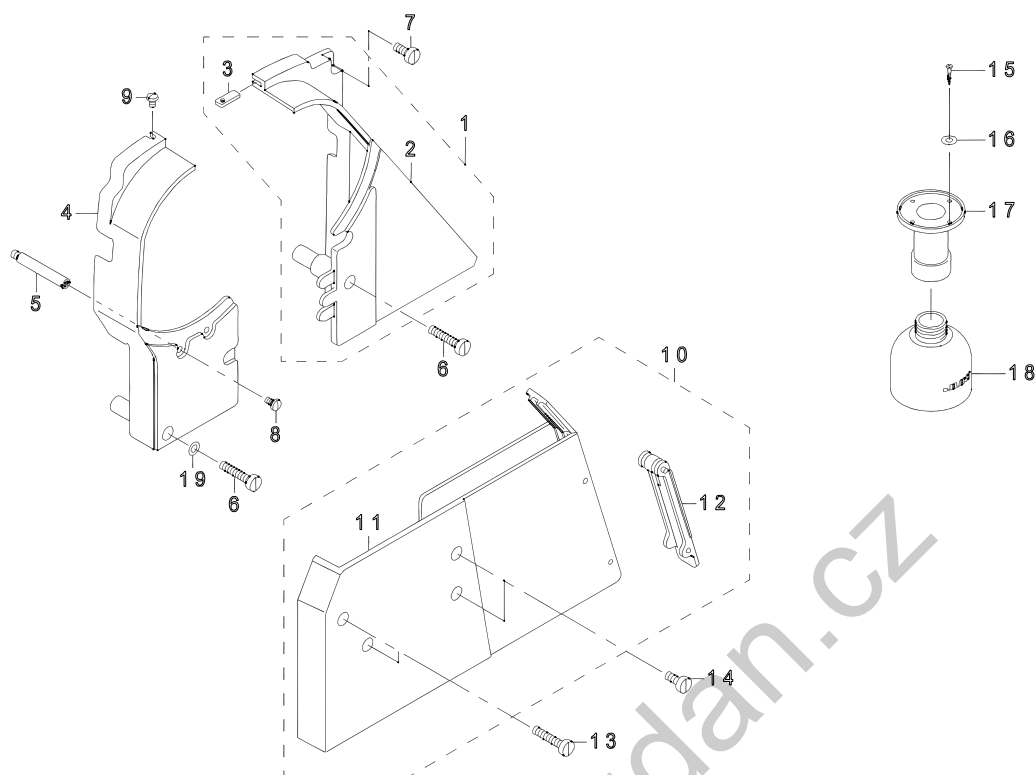
序号	说明	图号	编码及型号	英文名称	中文名称	数量
1			21441068	THREAD TENSION ASM.	夹线器组件	1
2			21441050	TENSION POST COMPL.	夹线器座	-1
3			10320109	SCREW STUD	紧定螺钉	-1
4			B3128520000	TENSION SPRING	挑线簧	-1
5			B31370510A0	TAKE-UP SPRING GUIDE DISC ASM.	挑线簧过线盘组件	-1
6			B3125012000	THREAD TENSION NUT	夹线螺母	1
7			22618201	TENSION RELEASE PIN A	松线杆A	-2
8			B3126012000	THREAD TENSION DISK	夹线板	-4
9			22617906	THREAD TENSION DISK PRESSER	夹线板压板	2
10			B3129526000	TENSION SPRING (1.2)	夹线簧 (1.2)	2
11			B3120125000	ROTATING STOPPER	旋转止动圈	-2
12			11956802	THREAD TENSION KNOB BLUE	夹线螺帽(蓝)	-2
13			10124204	THREAD TENSION POST A	夹线螺钉(A)	1
14			10741106	FIRST THREAD TENSION PLATE	前夹线板	2
15			11045101	THREAD TENSION SPRING	夹线簧	-1
16			11072402	THREAD TENSION NUT	夹线螺帽	1
17			21441100	TENSION RELEASE PLATE	松线板	1
18			SS4080620TP	SCREW 1/8-44 L=6	螺钉1/8-44 L=6	1
19			SD0470281SP	HINGE SCREW D=4.7 H=2.8	螺钉D=4.7 H=2.8	2
20			NS6110310SP	NUT 11/64-40	螺帽	-1
21			D3162555B00	THREAD GUIDE	过线板	1
22			PS0600502KP	SPRING PIN	弹簧销	1
23			SS7110910TP	SCREW 11/64-40 L= 8.5	螺钉11/64-40 L=8.5	2
24			21348206	TENSION RELEASE BAR	松线杆	1
25			10321107	TENSION RELEASE BAR	松线杆	1
26			23006406	TENSION RELEASE BAR	松线杆	1



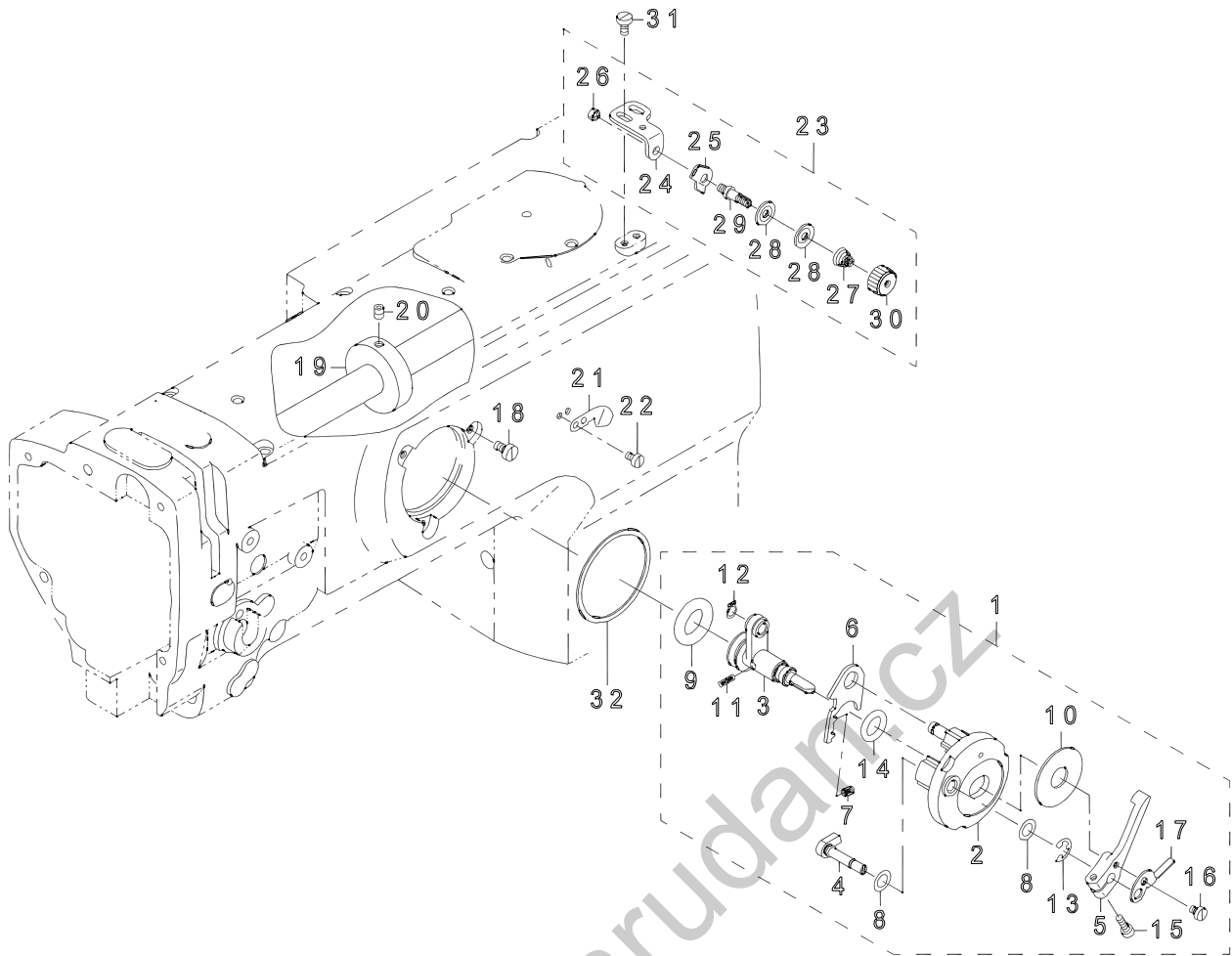
序号	说明	图号	编码及型号	英文名称	中文名称	数量
1			21432851	KNEE LIFTER LEVER ASM.	膝提杠杆组件	1
2			SM6062502TP	SCREW M6 L=25	螺钉M6 L=25	2
3			21432703	NEE LIFTER CONNECTING PLATE	膝提器连接板	1
4			SD0790451SP	HINGE SCREW D= 7.94 H= 4.5	螺钉D= 7.94 H= 4.5	2
5			21433008	NEE LIFTER CONNECTING PLATE	套	1
6			PS0400222K0	SPRING PIN	弹簧销	1
7			21433107	KNEE LIFTER SPRING	膝提器弹簧	1
8			21405709	KNEE LIFTER ARM	膝提架连杆	1
9			SM6052002TP	SCREW M5 L=20	螺钉M5 L=20	1
10			21432604	KNEE LIFTER STOPPER ARM	膝提架止动臂	1
11			SM6052002TP	SCREW M5 L=20	螺钉M5 L=20	1
12			SM8052502TP	SCREW M5X0.8 L=25	螺钉M5X0.8 L=25	1
13			NM6050001SD	NUT M5X0.8	螺母M5X0.8	1
14			21433206	STOPPER ARM	止动臂	1
15			SS6121210SP	SCREW 3/16-28 L=12	螺钉3/16-28 L=12	2
16			21432505	KNEE LIFTER SHAFT	膝提轴	1
17			22932453	BRACKET ASM.	支架组件	1
18			22932404	BRACKET	支架	-1
19			22934707	SCREW	螺钉	-2
20			21433354	KNEE PRESS PLATE ASM.	膝提压杆组件	1
21			SM9061203SE	SCREW M6 L=12	螺钉M6 L=12	-1
22			21433305	KNEE PRESS LEVER	膝提压杆	1
23			22934509	KNEE PAD PLATE COVER	膝提垫板盖	1
24			22934400	KNEE PAD PLATE RUBBER	膝提垫板橡胶垫	-1
25			22934202	KNEE PAD PLATE	膝提板垫	-1
26			22934301	KNEE PAD PLATE SUPPORT	膝提垫板支架	1
27			21433404	PRESSER LIFTER ARM	压脚提升臂	1
28			SM6051602TP	SCREW M5X0.8 L=16	螺钉M5X0.8 L=16	1
29			21433503	PRESSER LIFTER PLATE	压脚提升板	1
30			SM6051552TP	SCREW M5 L=15	螺钉M5 L=15	2
31			B8131019000	CHAIN	链条	1
32			13160304	S SHAPED HOOK	S型挂钩	2



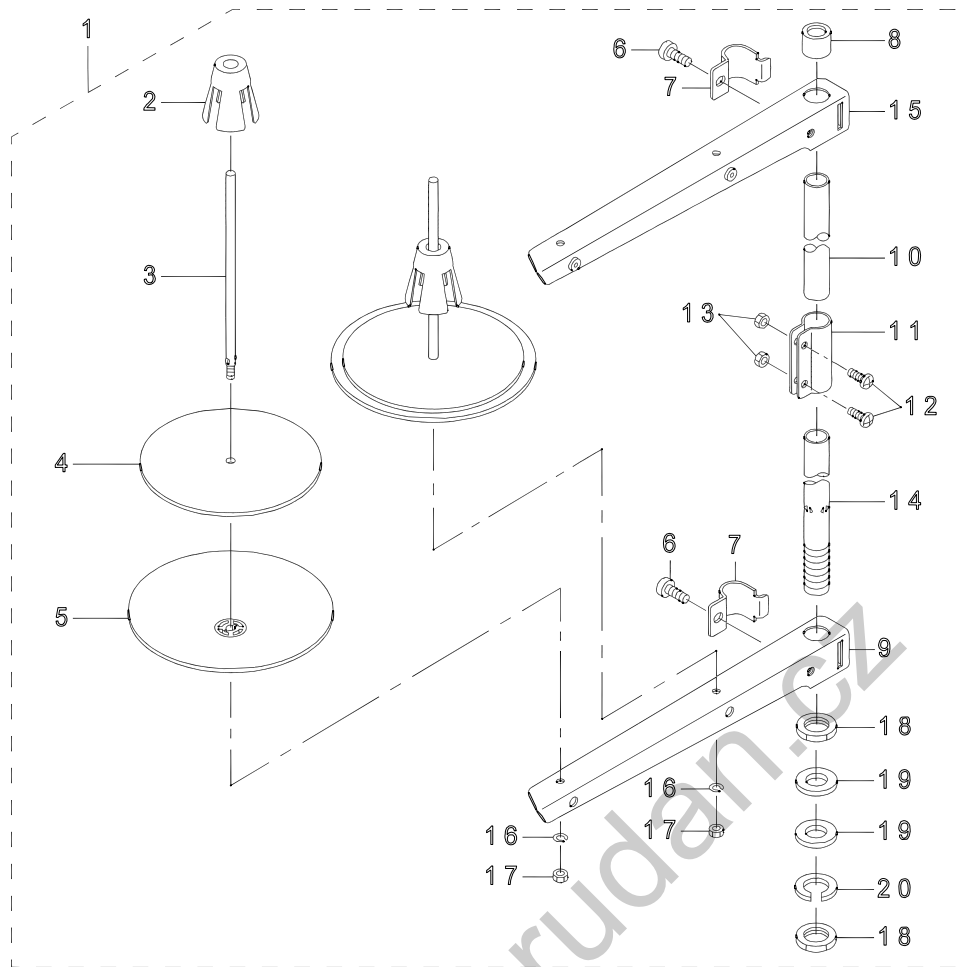
序号	说明	图号	编码及型号	英文名称	中文名称	数量
1			21345756	ARM ONCE THROUGH OIL FELT ASM.	机壳油毡组件	1
2			21345707	ARM ONCE THROUGH FELT A	机壳油毡A	1
3			21345806	FELT B	油毡B	1
4			21345905	FACE ONCE THROUGH FELT	台阶螺钉	-1
5			21346358	FELT SUPPORT ASM.	油毡支架组件	1
6			21346309	FELT	毛毡	1
7			21346507	FEED CHANGE FELT	送料油毡	1
8			21346408	FELT	毛毡	-1
9			EA9500B0000	CLIP CV-70S	线卡	-2
10			SS6110480SP	SCREW 11/64-40 L=4.3	螺钉11/64-40 L=4.3	1
11			21340708	UPPER FEED OIL BAR PLATE	上送料油板	1
12			SS7110510SP	SCREW 11/64-40 L=5	螺钉11/64-40 L=5	1
13			CQ202000000	OIL WICK	油线	2
14			21347000	TAKE-UP OIL PLATE	挑线杆内板	1
15			CQ202000000	OIL WICK	油线	5
16			21347208	TAKE-UP LUBRICATION FELT	挑线杆润滑油毡	1
17			SS3090610SP	SCREW 9/64-40 L=6	螺钉9/64-40 L=6	1
18			21346002	FELT	毛毡	1
19			B1412051000	FELT	毛毡	1
20			CQ252000000	OIL WICK	油线	3
21			BT0500300EA	OIL TUBE	油管	0.25
22			21407507	OIL TANK A	油箱A	1
23			21407606	OIL TANK B	油箱B	1
24			21407705	FELT	毛毡	2
25			SS6111010SP	SCREW 11/64-40 L= 9.5	螺钉11/64-40 L= 9.5	2
26			CQ202000000	OIL WICK	油线	2
27			21339700	UPPER FEED STOPPER PLATE (B)	上送料止动板B	1
28			SS7111120TP	SCREW	螺钉	2
29			WP0450801SD	WASHER 4. 5X10X0. 8	平垫4. 5X10X0. 8	1
30			22620504	OIL WICK HOLDER	油绳支架	1
31			EA9500B0000	CLIP CV-70S	线卡	1
32			PS0500202KP	SPRING PIN 5X20	弹簧销 5X20	1
33			21433800	OIL TANK	油箱	1
34			B1203051000	OIL FELT	毛毡	1
35			SS7110710SP	SCREW 11/64-40 L=7	螺钉11/64-40 L=7	2
36			SQ1110401MZ	CONNECTING SCREW	连接螺钉	1
37			CQ202000000	OIL WICK	油线	4
38			B1140051000	TAKE-UP OIL SPLASHER	挑线杆挡油板	1



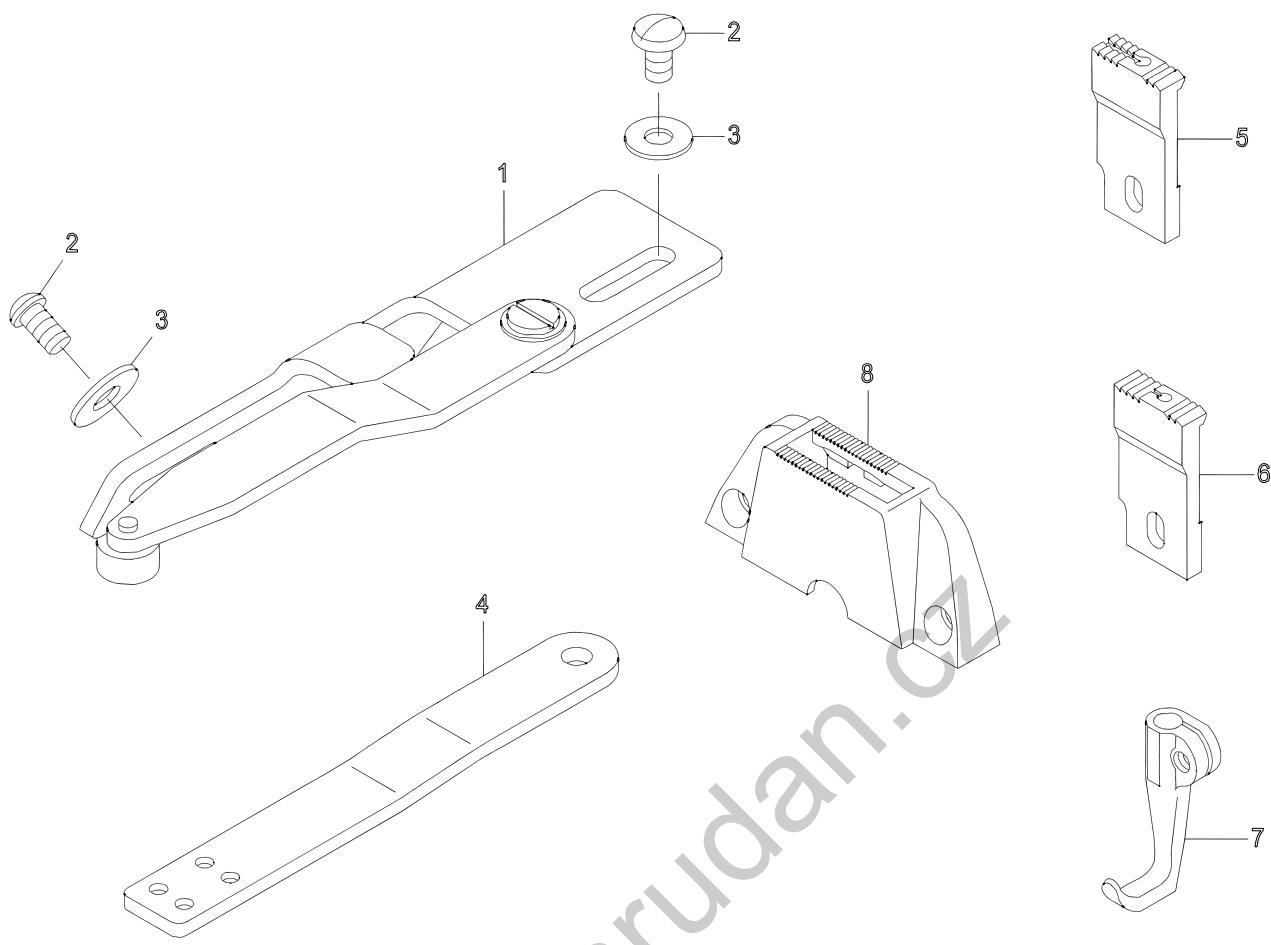
序号	说明	图号	编码及型号	英文名称	中文名称	数量
1			21351150	BELT COVER ASM. (RIGHT)	皮带罩组件 (右)	1
2			21351101	BELT COVER (RIGHT)	皮带罩 (右)	-1
3			21351002	BELT COVER AUXILIARY PLATE	皮带罩辅助板	1
4			21351200	BELT COVER (LEFT)	皮带罩 (左)	1
5			D8232241E00	BELT COVER SUPPORT A	皮带罩支架A	1
6			SS6153040SP	SCREW 15/64-28 L=30	螺钉15/64-28 L=30	2
7			SS6151440SP	SCREW 15/64-28 L=14	螺钉15/64-28 L=14	1
8			SS7110840SP	SCREW 11/64-40 L=7.8	螺钉11/64-40 L=7.8	1
9			SS5110740TP	SCREW 11/64-40 L= 6.5	螺钉11/64-40 L= 6.5	1
10			21434451	BELT COVER ASM. LOWER	皮带罩组件 (下)	1
11			21434402	BELT COVER LOWER	下皮带罩	-1
12			21434501	BELT COVER COVER	皮带罩盖	-1
13			SS6153040SP	SCREW 15/64-28 L=30	螺钉15/64-28 L=30	2
14			SS6151440SP	SCREW 15/64-28 L=14	螺钉15/64-28 L=14	2
15			SK3241601SC	WOOD SCREW D=2.4 L=16	木螺钉D=2.4 L=16	4
16			WP0320501SC	WASHER M3	平垫	4
17			B8202205000	OIL MANAGEMENT	油盖	1
18			40025300	OIL POT	油壶	1
19			WP0612076SP	WASHER 6.1X11X2	平垫6.1X11X2	1



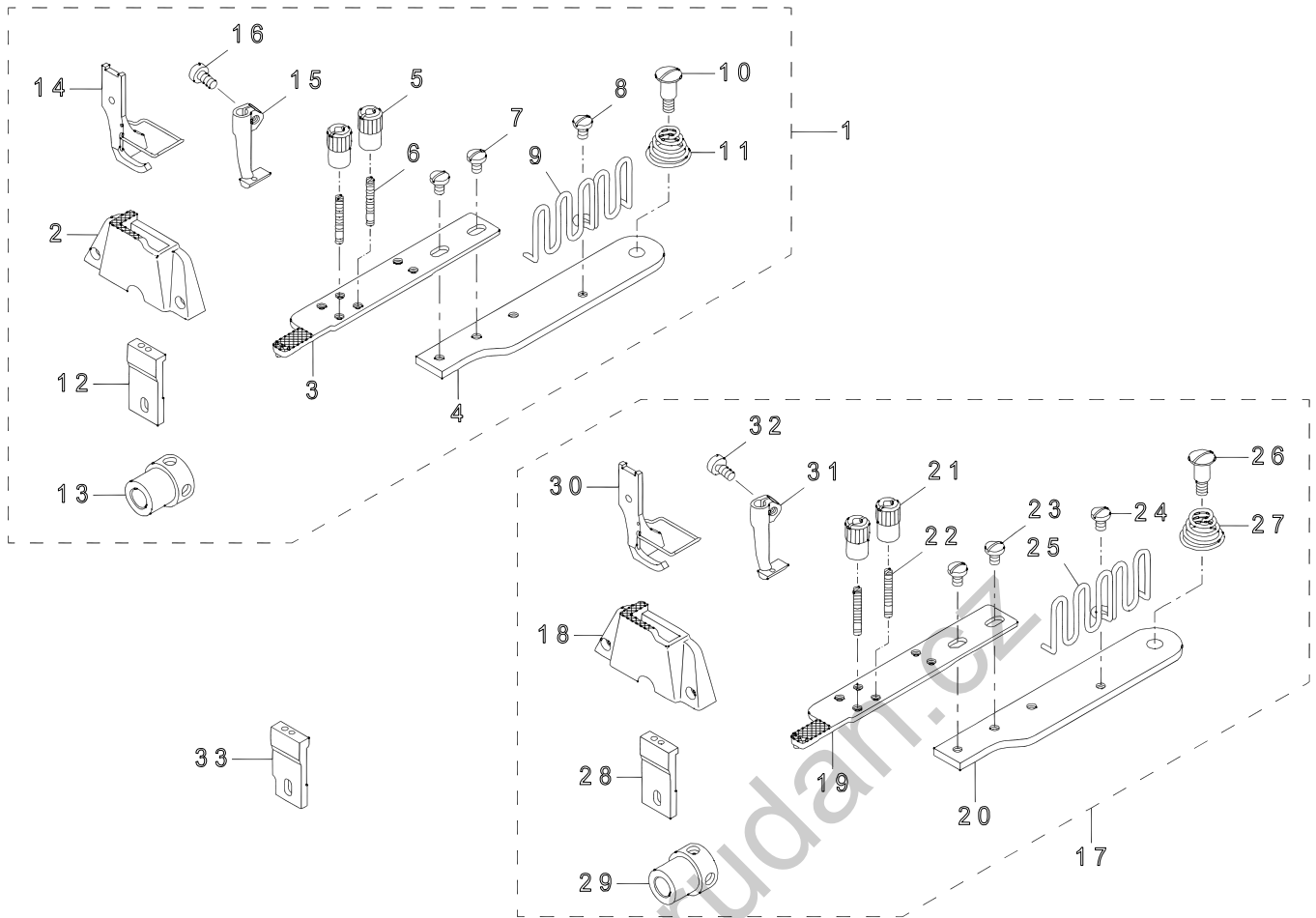
序号	说明	图号	编码及型号	英文名称	中文名称	数量
1			21357967	BOBBIN DEVICE ASM.	梭芯装置组件	1
2			22537658	BOBBIN FITTING BASIS COMPL.	梭芯安装总成	1
3			21357959	BOBBIN SHAFT COMPL.	梭芯轴总成	-1
4			22538151	BOBBIN CAM SHAFT COMPL.	梭芯凸轮轴	-1
5			23636202	BOBBIN LEVER	梭芯杠杆	1
6			21356001	ADJUSTING PLATE	调节板	1
7			B152989000CA	PRESSUR FOOT SPRING	压脚弹簧	1
8			10618304	VERTICAL ROLLER WASHER	垂直滚柱垫圈	-2
9			21358205	BOBBIN FRICTION GEAR	橡皮圈	-1
10			B3205210000	CUSHION	衬垫	-1
11			B1148555000	SPRING	弹簧	-1
12			RC0560711KP	RETAINING RING	扣环	-1
13			RE0500000K0	E-RING	E型卡环	1
14			RO092270200	RUBBER RING	橡皮圈	-1
15			SS7091410SP	SCREW 9/64-40 L=13.5	螺钉9/64-40 L=13.5	-1
16			SS6090520SP	SCREW 9/64-40 L= 5.0	螺钉9/64-40 L= 5.0	1
17			14512503	BOBBIN ADJUSTING PLATE	梭芯调节板	1
18			SS6110810TP	SCREW 11/64-40 L=8	螺钉11/64-40 L=8	3
19			10704807	BOBBIN FRICTION WHEEL	梭芯摩擦轮	1
20			SM8050602TP	SCREW M5 L=6	螺钉M5 L=6	2
21			10502300	THREAD CUTTER	剪线器	1
22			SS6090620TP	SCREW	螺钉	1
23			21355755	LOWER THREAD GUIDE ASM.	下过线组件	1
24			21355706	FITTING BASE	安装座	1
25			D3162555B00	THREAD GUIDE	过线板	-1
26			NS6110310SP	NUT 11/64-40	螺帽11/64-40	-1
27			D3168555H0B	TENSION SPRING NO. 1	张紧弹簧1号	-1
28			B3214047000	BOBBIN WINDER TENSION DISC	梭芯绕线器张紧盘	-2
29			21378708	THREAD TENSION POST	夹线螺钉	1
30			11072402	THREAD TENSION NUT	夹线螺帽	1
31			SM6040800SP	SCREW	螺钉	2
32			22538706	PACKING	衬垫	1



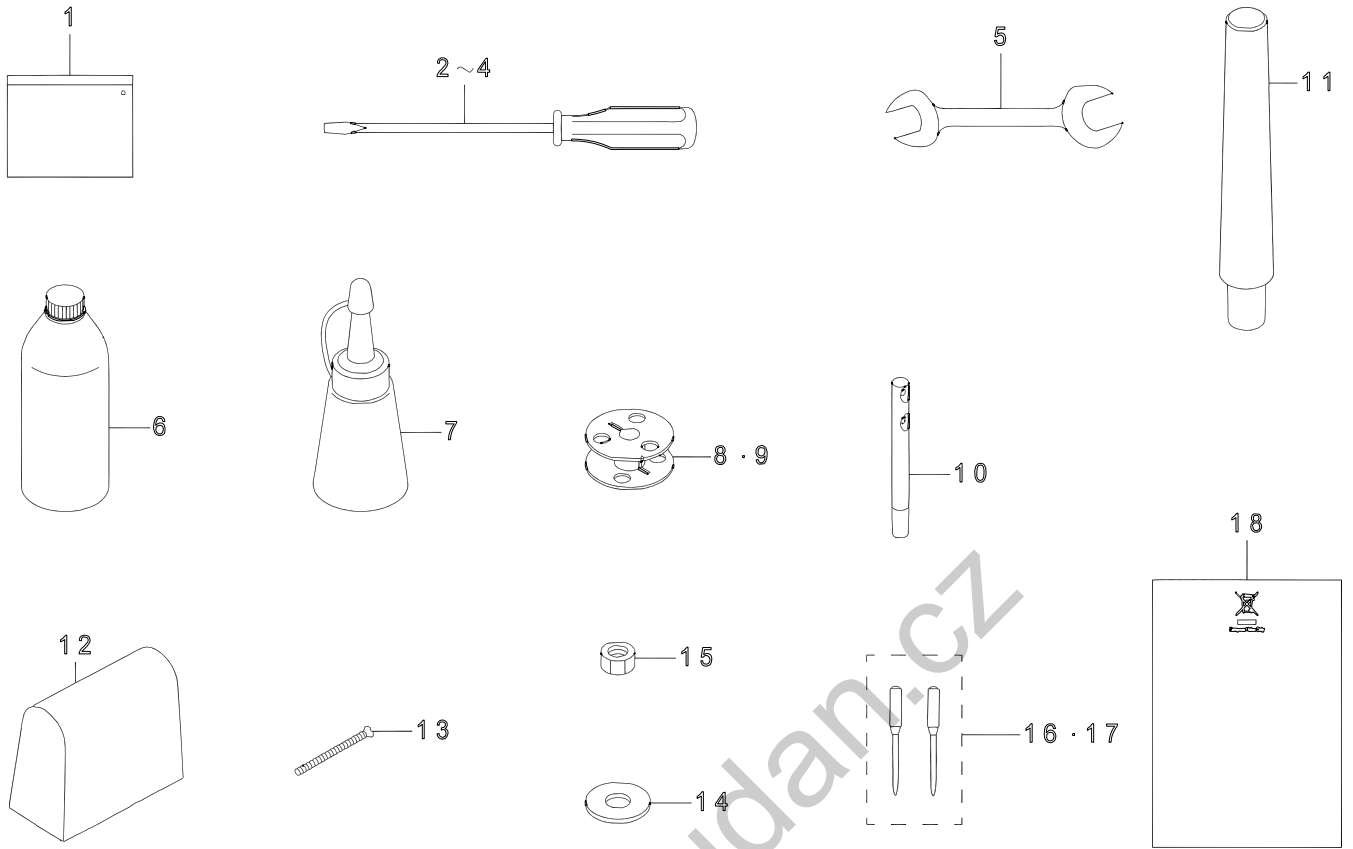
序号	说明	图号	编码及型号	英文名称	中文名称	数量
1			22930358	THREAD STAND ASM.	纱线架	1
2			22931109	SPOOL RETAINER	线轴止动器	-2
3			22931000	SPOOL PIN	插线钉	-2
4			22930903	SPOOL REST CUSHION	线团减震垫	2
5			22930804	SPOOL REST	线盘	-2
6			SM6061610SC	SCREW M6 L=16	螺钉M6 L=16	-2
7			22930705	THREAD GUIDE ARM JOINT	过线杆组件	2
8			22931406	SPOOL REST ROD RUBBER CAP	线架杆橡皮帽	-1
9			22930507	SPOOL REST ARM	过线桥	-1
10			22930408	SPOOL REST ROD UPPER	上线架杆	-1
11			22931307	SPOOL REST ROD JOINT	线架杆接头	1
12			SM4051405SE	SCREW M5 L=14	螺钉M5 L=14	-2
13			NM6050001SE	NUT M5	螺帽M5	-2
14			22930309	SPOOL REST ROD LOWER	下线架杆	-1
15			22930556	THREAD STANDING ARM ASM.		-1
16			WS0510002KN	SPRING WASHER	弹簧垫圈	2
17			NM6050001SE	NUT M5	螺帽M5	-2
18			NM6160511SE	NUT M16X1.5	螺帽M16X1.5	2
19			WP1612616SE	WASHER 16X30X2.6	平垫16X30X2.6	2
20			WS1643202KR	SPRING WASHER	弹簧垫圈	1



序号	说明	图号	编码及型号	英文名称	中文名称	数量
1			B91013400A0	EDGE GUIDE ASM.	导布器组件	1
2			MAM22709000	SCREW	螺丝	2
3			WP0551016SH	WASHER 5.5X13X1	平垫5.5X13X1	2
4			B9104340000	FIXING BINDER FITTING PLATE.	滚边器固定板	1
5			21225305	FEED DOG 3.2MM	送料牙3.2MM	1
6			21225008	FEED DOG	送料牙	1
7			21231006	WALKING FOOT	走步压脚	1
8			21445606	THROAT PLATE	针板	1



序号	说明	图号	编码及型号	英文名称	中文名称	数量
1			21434857	LS-1341 BINDER SET	滚边器	1
2			21427406	THROAT PLATE	针板	-1
3			MAQ14302000	FEED PLATE A ASM.	送料组件	-1
4			MAQ14303000	FEED PLATE B	送料板	-1
5			MAQ09205000	BINDER LOCK NUT	滚边锁缝螺帽	2
6			MAQ09204000	BINDER SETSCREW	滚边螺丝	-2
7			SS7110510SP	SCREW 11/64-40 L=5	螺丝11/64-40 L=5	2
8			SS7110510SP	SCREW 11/64-40 L=5	螺丝11/64-40 L=5	1
9			MAQ09206000	TAPE GUIDE	导带器	-1
10			SD0721112SN	HINGE SCREW D=7.24 H=11.1	铰链螺丝D=7.24H=11.1	-1
11			21232004	SPRING	弹簧	-1
12			MAQ14306000	FEED	送料	1
13			40011964	FEED VERTICAL CAM	送料垂直杆	1
14			MAQ093080A0	PRESSER FOOT ASM.	压脚组件	-1
15			MAQ09307000	WALKING FOOT	起步压脚	-1
16			SS6110710TP	SCREW 11/64-40 L= 6.5	螺钉11/64-40 L= 6.5	1
17			21434758	LS-1340 BINDER SET	滚边器	1
18			MAQ14301000	THROAT PLATE	针板	-1
19			MAQ14302000	FEED PLATE A ASM.	送料板组架	-1
20			MAQ14303000	FEED PLATE B	送料板	-1
21			MAQ09205000	BINDER LOCK NUT	滚边锁缝螺帽	2
22			MAQ09204000	BINDER SETSCREW	滚边螺丝	-2
23			SS7110510SP	SCREW 11/64-40 L=5	螺丝11/64-40 L=5	2
24			SS7110510SP	SCREW 11/64-40 L=5	螺丝11/64-40 L=5	1
25			MAQ09206000	TAPE GUIDE	导带器	-1
26			SD0721112SN	HINGE SCREW D=7.24 H=11.1	铰链螺丝D=7.24H=11.1	1
27			21232004	SPRING	弹簧	-1
28			MAQ14306000	FEED	送料	1
29			40011964	FEED VERTICAL CAM	送料垂直杆	1
30			MAQ093080A0	PRESSER FOOT ASM.	压脚组架	-1
31			MAQ09307000	WALKING FOOT	起步压脚	-1
32			SS6110710TP	SCREW 11/64-40 L= 6.5	螺丝11/64-40 L= 6.5	1
33			21225404	FEED	送料	1



序号	说明	图号	编码及型号	英文名称	中文名称	数量
1			B9101552000	ACCESSORY BOX	附件盒	1
2			22933006	SCREW DRIVER LARGE	起子 (大)	1
3	*		22933105	SCREW DRIVER MIDDLE	起子 (中)	1
4	*		22933204	SCREW DRIVER SMALL	起子 (小)	1
5			B9113012000	WRENCH (9X10)	呆扳手 (9X10)	1
6			MDFRX2700C0	NEW DEFRIX OIL NO.2 (700CC)	新“DEFRIX”油	1
7			J1067000000	OILER	油壶	1
8			B9117201000	BOBBIN	梭芯	1
9			B9117051000	BOBBIN	梭芯	1
10			22958300	NEEDLE THREAD GUIDE PIN	导线销	1
11			B820424500A	FRAME SUPPORT BAR	机头支承杆	1
12			40048536	HEAD_COVER	罩子	1
13			B9130245000	BOLT	螺栓	4
14			WP0751576SD	WASHER 7.5X19X1.5	垫圈7.5X19X1.5	4
15			NM6060001SD	NUT M6	螺帽M6	4
16	*		M13517B1602	NEEDLE 135X17 #160-2	机针#160-2	1
17	*		M13517B1402	NEEDLE 135X17 #140-2	机针#140-2	1
18			CM600100201	WEEE INFORMATION SHEET	产品信息标签	1

