

Parts book
for

GARUDAN[®]

GF-105-147 H



ANITA B, s.r.o.

Průmyslová 2453/7

680 01 Boskovice

Czech Republic

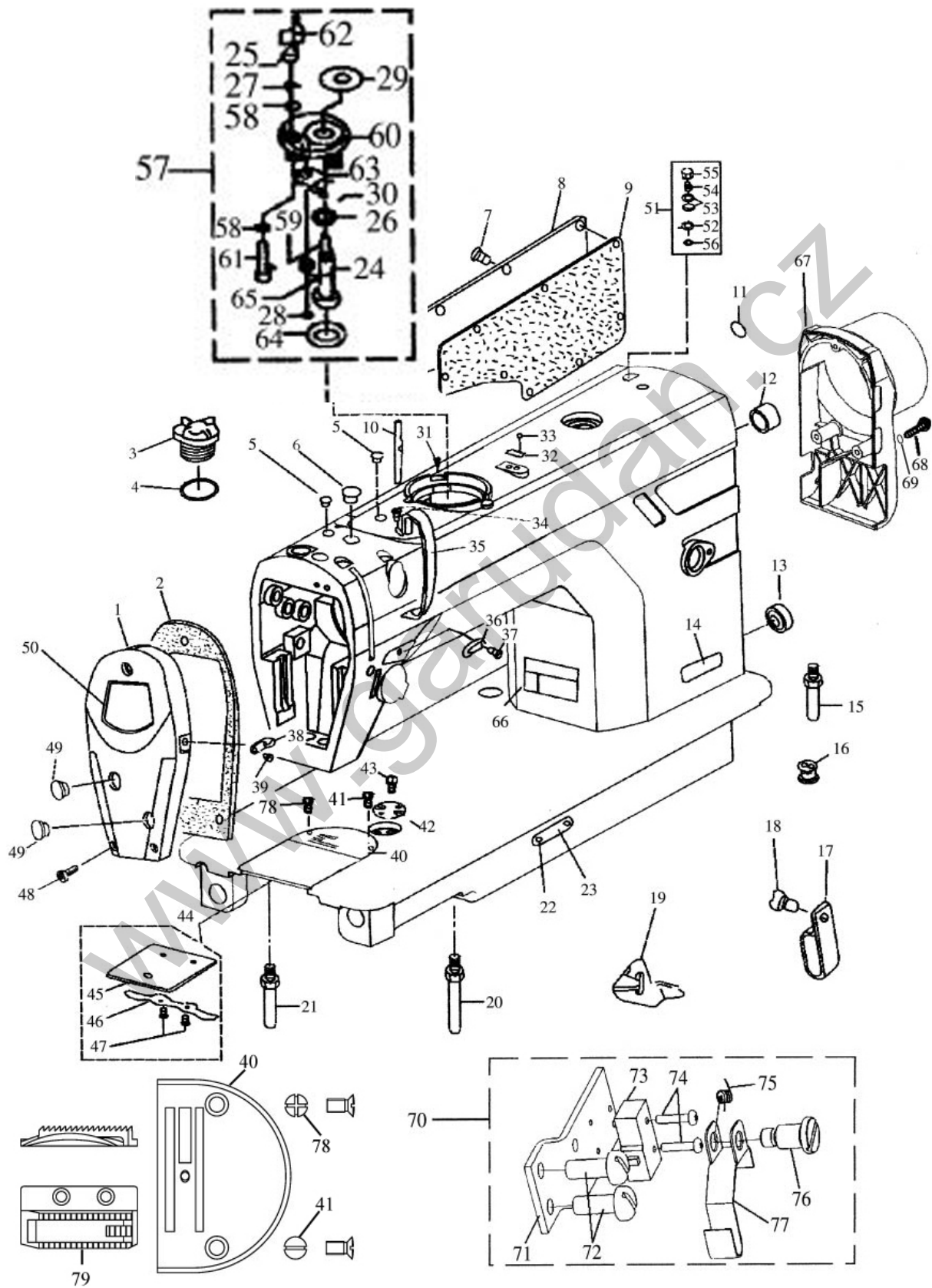
tel: +420 516 454 774

+420 516 453 496

fax: +420 516 452 751

e-mail: info@anita.cz

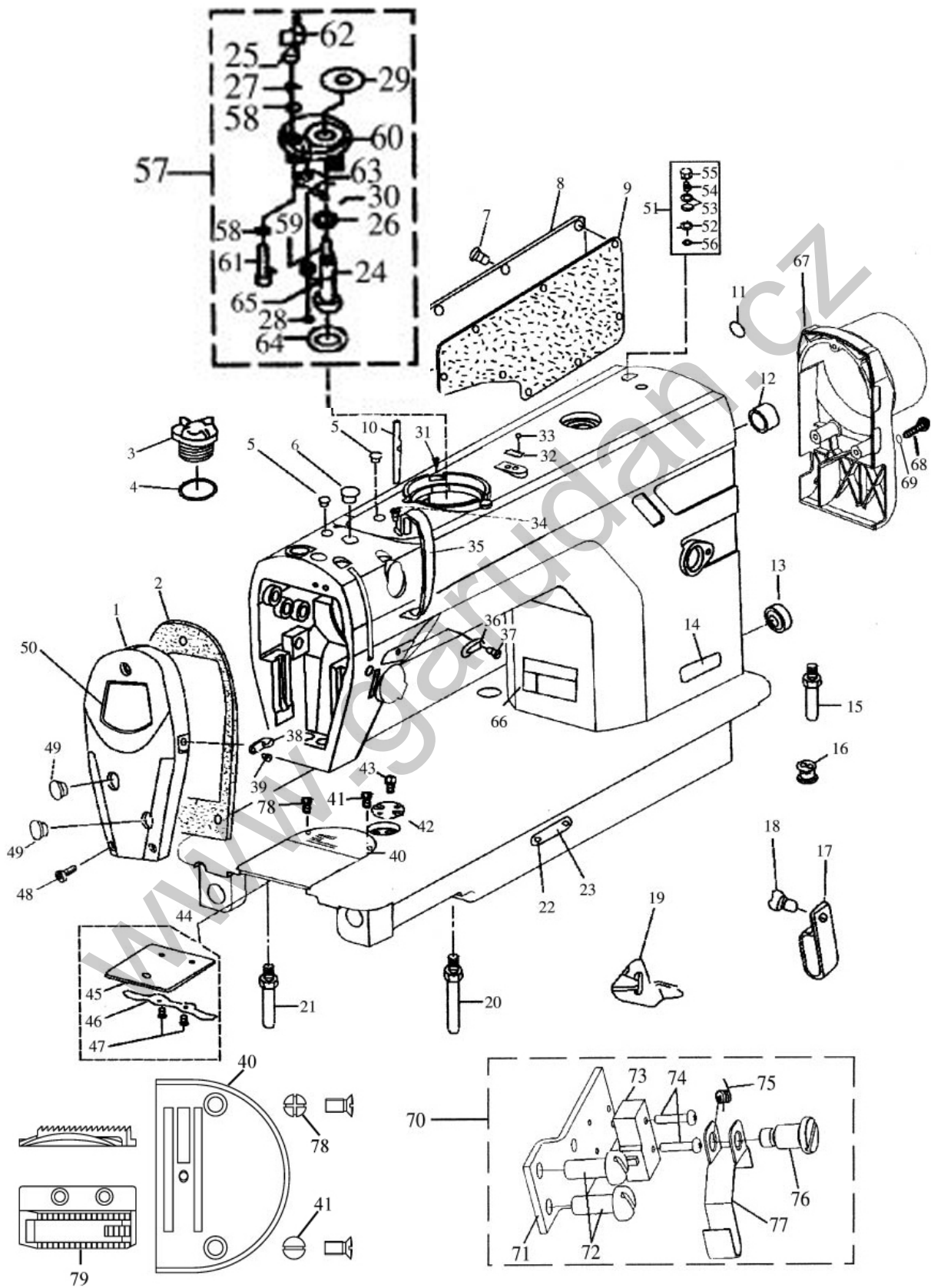
1. Machine frame and cover components (1)



1. Machine frame and cover components (1)

Ref.No.	Part No.	Description	QTY
1	270GR101	FACE PLATE	1
2	270GO101	FACE PLATE GASKET	1
3	GR672-8	OIL WINDOW	1
4	GR673-8	THRUST COLLAR ASM.	1
5	GR585-8	RUBBER PLUG	2
6	GR584-8	RUBBER PLUG	1
7	GS300-8	SCREW 3/16-28 L=9	8
8	240GR102	SIDE PLATE	1
9	240GO102	SIDE PLATE GASKET	1
10	GR800-8	NEEDLE THREAD GUIDE PIN	1
11	GQ200-8	EARTHING INDICATION PLAT	1
12	GR586-8	RUBBER PLUG	1
13	GR587-8	RUBBER PLUG	1
14	270GB101	MODEL PLATE	1
15	GS299-8	BED SCREW STUD	2
16	GR1005-8	NEEDLE BEARING	1
17	GR1083-8	CORD HOLDER	1
18	GS300-8	SCREW	1
19	270GR112	CORD HOLDER	1
20	270GS101	BED SCREW STUD	1
21	270GS102	BED SCREW STUD	1
22	GX186-8	POLE	2
23	GQ139-8	NUMBER PLATE	1
24	501GB113	BOBBIN WINDER SHAFT COMPLE	2
25	501GS109	SCREW	1
26	501GF110	O-RING	1
27	501GK105	E-RING	1
28	501GK103	RETAINING RING	1
29	501GK102	CUSHING	1
30	501GW102	SHORT SPRING	1
31	GS705-8	SCREW	3
32	501GB107	THREAD CUTTER	1
33	SS-4080440	SCREW	2
34	GS310-8	SCREW 3/16-28 L=9	1
35	240GK103	THREAD TAKE-UP LEVER COVER	1
36	GR603-8	ARM THREAD GUIDE RIGHT	1
37	GS313-8	SCREW 11/64-40 L=6	1
38	GR604-8	ARM THREAD GUIDE LEFT	1
39	GS313-8	SCREW 11/64-40 L=6	1
40	GM173-8	NEEDLE PLATE	1
41	ZJ5580-D3.1-8	SCREW	2
42	GS724-8	RULER PLATE	1

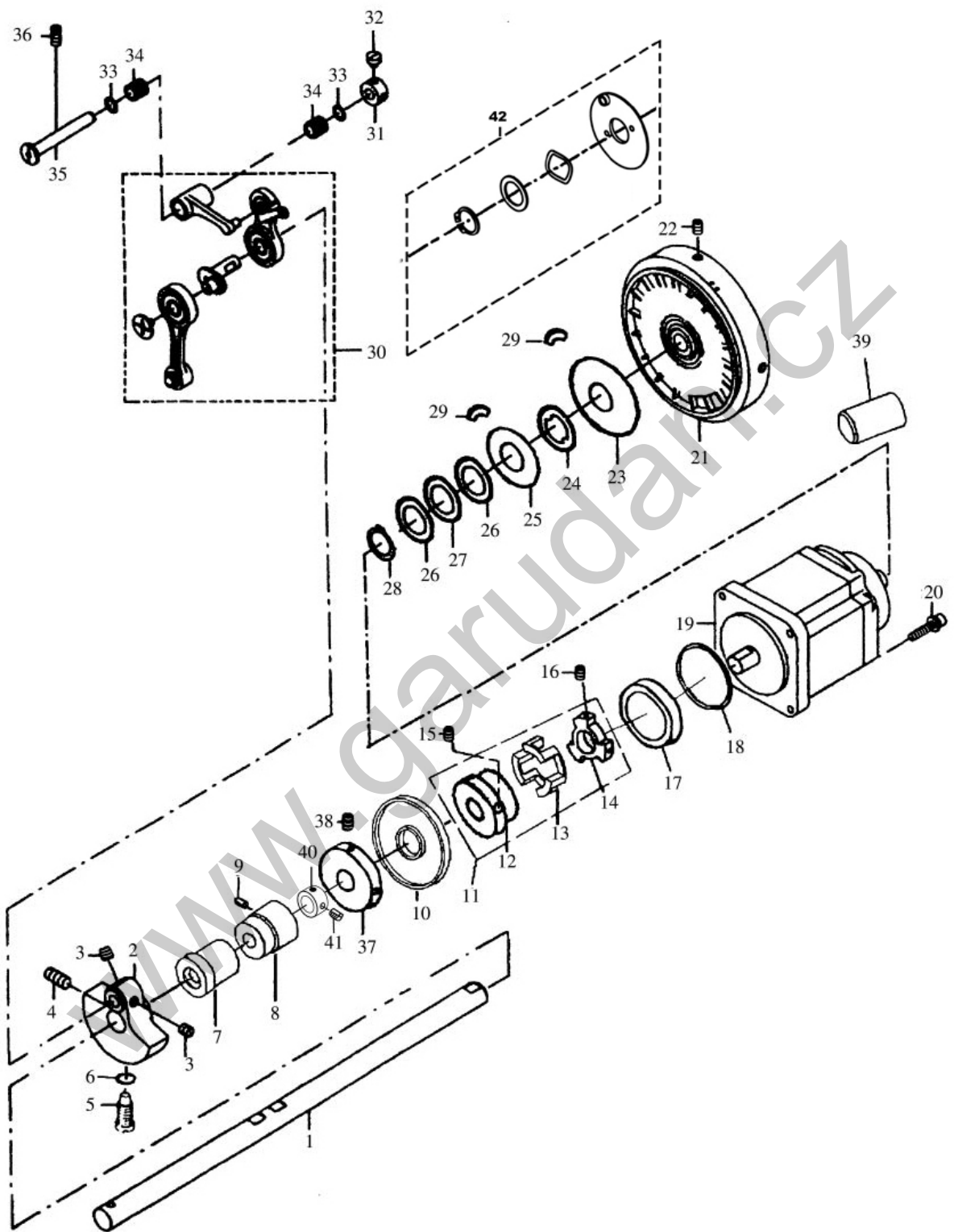
1. Machine frame and cover components (2)



1. Machine frame and cover components (2)

Ref.No.	Part No.	Description	QTY
43	GS373-8	SCREW	2
44	GM167/4-8	SLIDE PLATE ASM.	1
45	GM168-8	SLIDE PLATE	1
46	GW190-8	SPRING OF SLIDE PLATE	1
47	GS339-8	SCREW	2
48	GS300-8	SCREW 3/16-28 L=9	3
49	GR583-8	RUBBER PLUG D=12.5 L=4	2
50	240GB101	PLATE	1
51	GR1462-8	BOBBIN THREAD TENSION ASM.	1
52	501BJ104	BOBBIN THREAD TENSION ASM.	1
53	501GB114	THREAD TENSION DISK	2
54	501GW104	THREAD TENSION SPRING	1
55	501GL103	THREAD TENSION NUT	1
56	501GL104	NUT	1
57	GR1454-8	BOBBIN WINDER ASM.	1
58	501GK104	WASHER	2
59	501GW103	LATCH SPRING	1
60	501BJ102	BOBBIN FITTING BASIS COMPL	1
61	501GB111	BOBBIN WINDER REGULATOR	1
62	501GB110	BOBBIN LEVER	1
63	501GB112	ADJUSTING PLATE	1
64	501GF118	RUBBER RING	1
65	501GW101	LONG SPRING	1
66	GQ196-8	SAFETY-INDICATING PLATE	1
67	270GR111	PULLEY COVER	1
68	K.11-08	SCREW	3
69	GB848-85-4	WASHER	1
70	270BJ110	SAFETY SWITCH ASM.	(1)
71	270GR114	SAFETY SWITCH PLATE	(2)
72	GS336-8	SCREW	(1)
73	218GD157	SAFETY SWITCH CORS ASM.	(2)
74	218GD152	SCREW	(1)
75	218GD151	SAFETY SWITCH SPRING	(1)
76	218GD154	SAFETY SWITXH ARM · SHAFT	(1)
77	270GR115	SAFETY SWITCH BASH	1
78	ZJ5580-D3.1-9	SCREW	1
79	GM174-8	FEED DOG	1

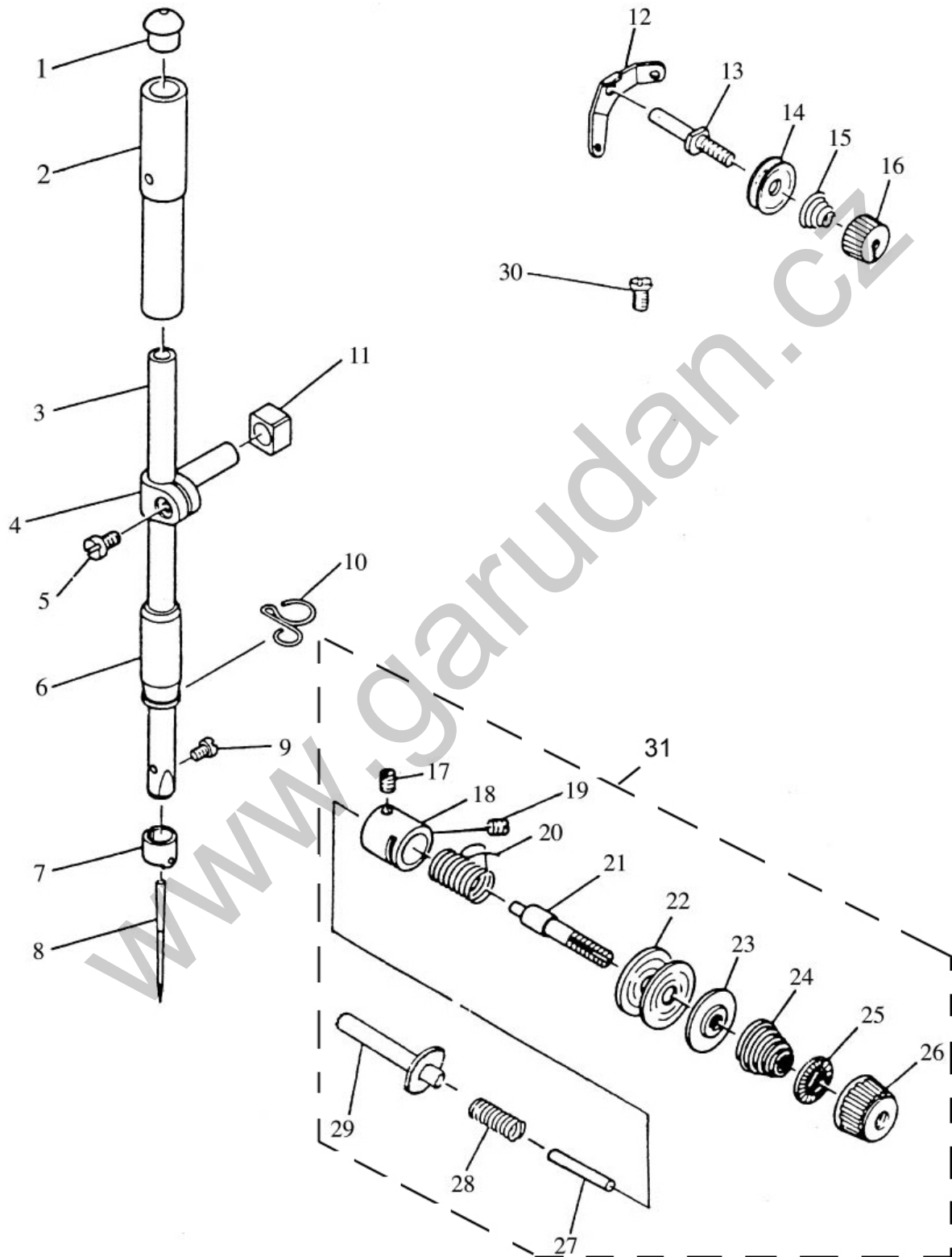
2. Main shaft and thread take-up components



2. Main shaft and thread take-up components

Ref.No.	Part No.	Description	QTY
1	270GZ101	MAIN SHAFT	1
2	270GH101	COUNTER WEIGHT	1
3	GS39	SCREW	2
4	GS307-8	SCREW 9/32-28 L=16	1
5	GS371-8	SCREW	1
6	GR592-8	RUBBER RING	1
7	GO259-8	MAIN SHAFT BEARING SUPPORT	1
8	GO258-8	BUSHING,INTERNEDIATE	1
9	GS316-8	SCREW 15/64-28 L=9	1
10	270GF101	OIL SEAL	1
11	270BJ102	COUPLING ASM.	1
12	270GO102	COUPLING	1
13	270GK101	WASHER	1
14	270GO103	COUPLING	1
15	545.2-6	SCREW	2
16	501GS122	SCREW	3
17	270GU101	BEARING	1
18	270GF102	FOLDER	1
19	270GD101	MOTOR	1
20	101BJ114	BOLT	4
21	270GP101	HEAD WHEEL	1
22	004514	SCREW	2
23	218GD158	DOWN GO TO PARCEL	1
24	218GD159	SEPARATE PARCEL	1
25	218GD160	HEAD GO TO PARCEL	1
26	218GK150	WASHER	2
27	218GK151	WASHER	1
28	218GK151	E-RING	1
29	218GD161	GLISTEN PARCEL	2
30	217BJ108	THREED TAKE-UP ASM.	1
31	217GK101	THRUST COLLAR	1
32	217GS108	SCREW	2
33	217GK102	BEARING SUPPORT	2
34	217GU103	BEARING	2
35	217GZ103	THREED TAKE-UP CRANK SHAFT	1
36	GS308-8	SCREW	1
37	GP172-8	WHEET	1
38	GS709-8	SCREW	2
39	GO277-8	MAIN SHAFT FRONT LINER BUSHING	1
40	GR589-8	THRUST COLLAH ASM.	1
41	GS712-8	SCREW 1/4-40 L=6	2
42	10027624	STOP NEEDLE MAGNETIC TRON MODUL	1

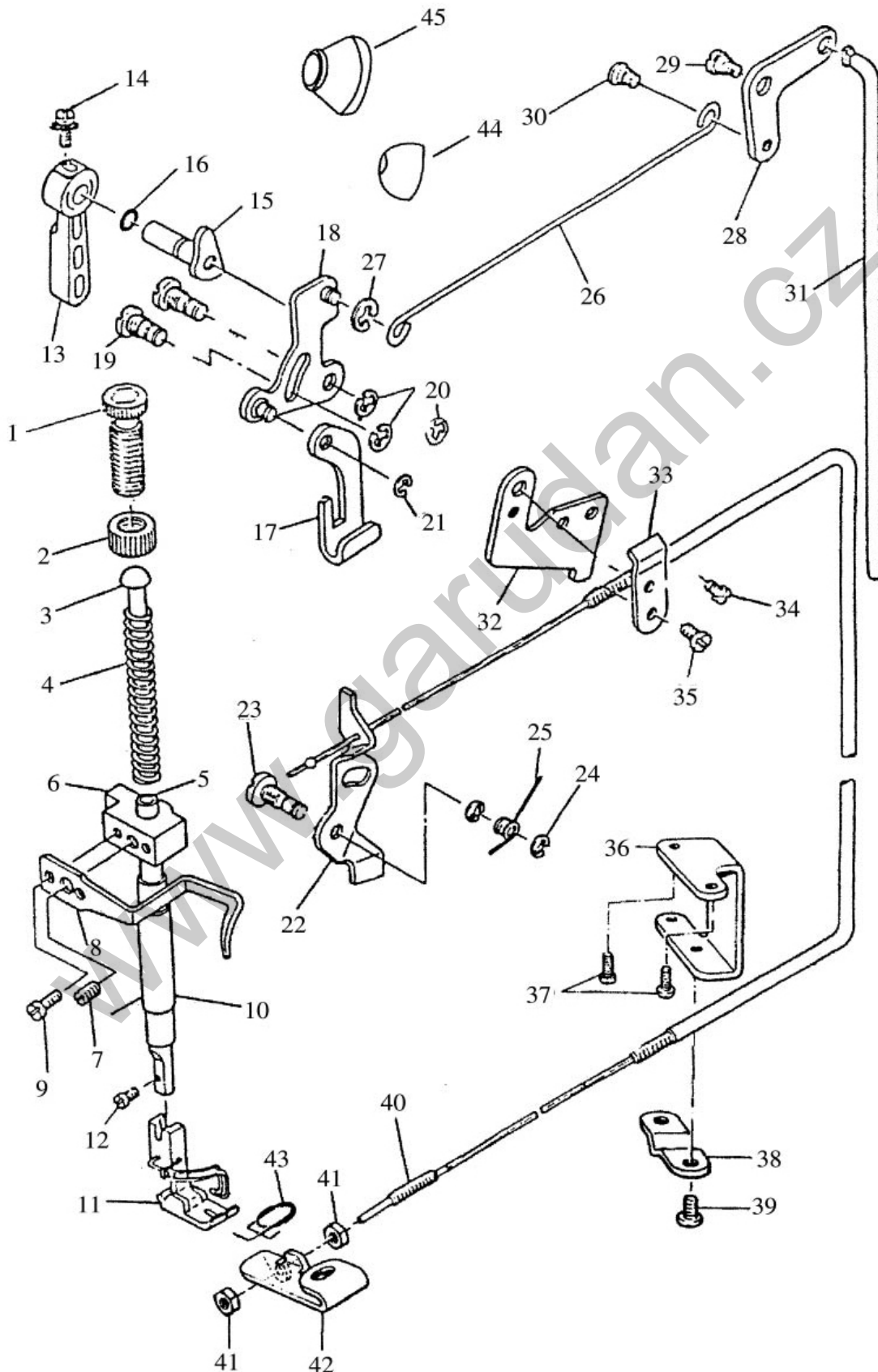
3. Needle bar and thread tension components



3. Needle bar and thread tension components

Ref.No.	Part No.	Description	QTY
1	GR599-8	CAP	1
2	240GO104	NEEDLE BAR BUSHING, UPPER	1
3	GZ251-8	NEEDLE BAR	1
4	GR598-8	NEEDLE BAR HOLDER	1
5	GS311-8	SCREW 9/64-40 L=6	1
6	GO538-8	NEEDLE BAR BUSHING, LOWER	1
7	GR802-8	NEEDLE BAR THREAD GUIDE	1
8	134R	NEEDLE	1
9	GS312-8	SCREW 1/8-44 L=4.5	1
10	GR801-8	NEEDLE BAR THREAD GUIDE	1
11	GU152-8	SLIDE BLOCK	1
12	GR1044-8	THREAD TENSION GUIDE	1
13	GS519-8	FIRST TENSION POST	1
14	GR1015-8	BOBBIN WINDER TENSION DISC	2
15	GW233-8	THREAD TENSION SPRING	1
16	241GL101	THREAD TENSION NUT	1
17	GS315-8	SET SCREW 9/64-40 L=5.5	1
18	GR606-8	TENSION POST SOCKET	1
19	GS50	SCREW	1
20	GW183-8	TAKE-UP SPRING	1
21	GS314-8	SCREW	1
22	GR607-8	TENSION DISC	2
23	GR608-8	TENSION DISC HOLDER	1
24	GW202-8	TENSION SPRING	1
25	GR609-8	TENSION DISC STOPPER	1
26	240GL102	TENSION NUT	1
27	GX200-8	THREAD RELEASE PIN	1
28	GW185-8	TENSION RELEASE PIN SPRING	1
29	270GS103	TENSION RELEASE SUPPORTING PIN	1
30	GS310-8	SCREW 3/16-28 L=6	1
31	GR605/11-8	TENSION ASSY FOR GF-105-143(7)	1

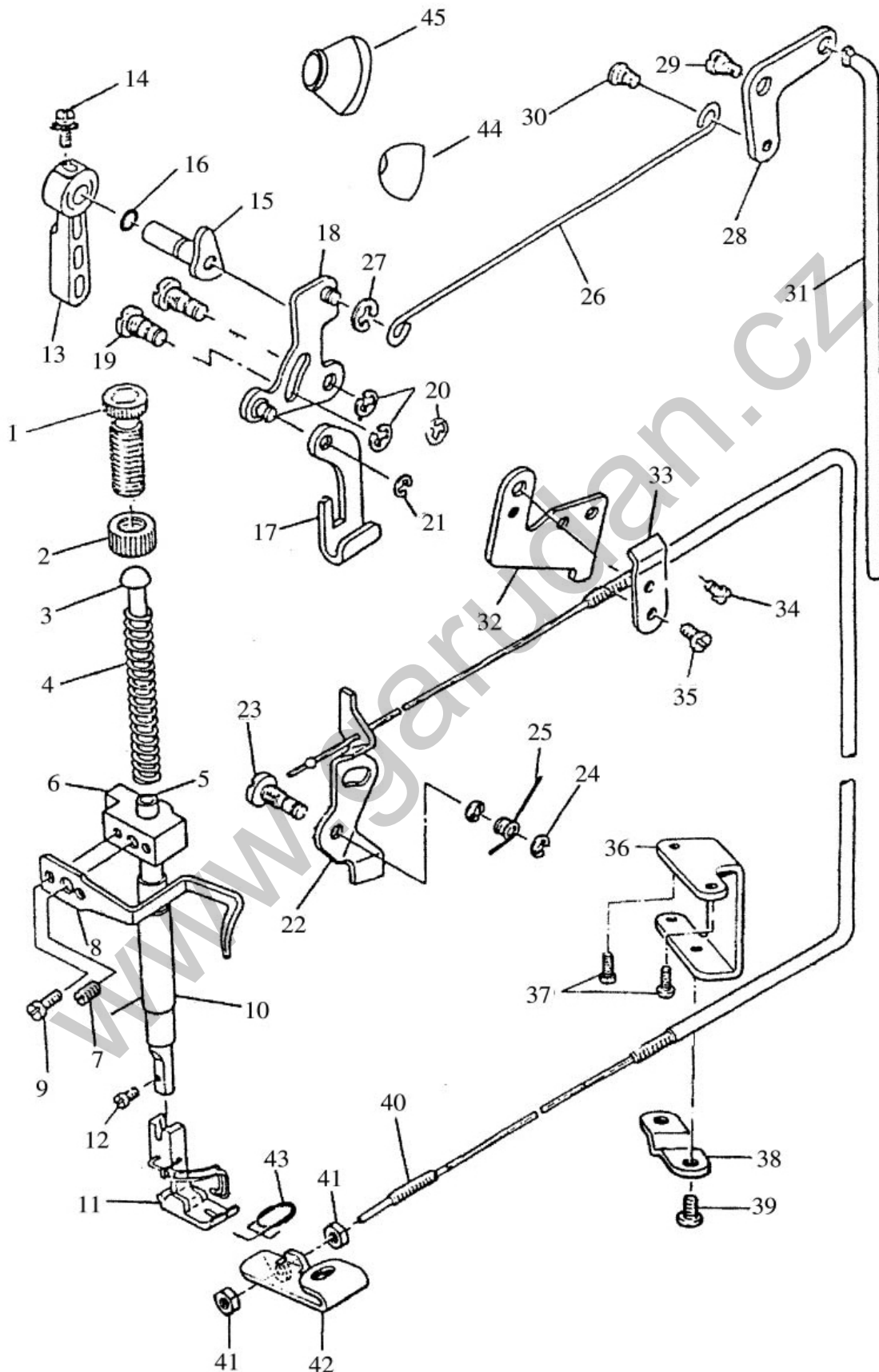
4. Presser bar and tension release comp.(1)



4. Presser bar and tension release comp. (1)

Ref.No.	Part No.	Description	QTY
1	240GS102	PRESSER SPRING REGULATOR	1
2	240GL103	NUT 1/2-28	1
3	GR1494	PRESSER GUIDE BAR	1
4	GW203-8	PRESSER SPRING	1
5	GZ231-8	PRESSER GUIDE BAR	1
6	270GR113	NEDDLE BAR GUIDE BRACKET	1
7	GS319-8	SCREW 1/4-40 L=8	1
8	GR615-8	PRESSER BAR GUIDE BRACKET	1
9	GS320-8	SCREW 9/64-40 L=8.5	2
10	GO290-8	PRESSER BAR BUSHING LOWER	1
11	GR803/5-8	PRESSER FOOT ASM	1
12	GS321-8	SCREW 9/64-40 L=9.5	1
13	240GR106	HAND LOFTER	1
14	GS322-8	SCREW 9/64-40 L=8.5	1
15	GR2068-8	HAND LOFTER CAM ASM.	1
16	GR621-8	RUBBER RING	1
17	GR622-8	LIFTING LEVER	2
18	270BJ103	HAND LIFTER LINK ASM.	1
19	GS323-8	LINK SHAFT	2
20	GR625-8	SNAP RING	4
21	GR626-8	LIFTING LEVER RING	1
22	GR627-8	TENSION RELEASE PLATE	1
23	GS324-8	TENSION RELEASE SHAFT	1
24	GR625-8	SNAP RING	1
25	GW189-8	TENSION RELEASE RETURN SPRING	1
26	GR628-8	LIFTING LEVER CONNECTING ROD	1
27	GR625-8	SNAP RING	1
28	GR629-8	LIFTING LEVER LINK	1
29	GS325-8	HINGE SCREW	1
30	GS326-8	HINGE SCREW	1
31	GR630-8	CONNECTING ROD VERRICAL	1
32	GR1016-8	WIRE HOLDER BRACKET (UPPER)	1
33	GR1017-8	WIRE HOLDER)	1
34	GS310-8	SCREW 3/16-28 L=6	1
35	GS336-8	SCREW 11/64-40 L=7	1
36	270GR103	LOOSING LINE PLATE	1
37	SS-411040	SCREW	1
38	211-0200	FIXING SHUTTER	1
39	SS-4090640	SCREW	1
40	270BJ109	LOOSING LINE ASM.	1
41	GL6	NUT	2
42	270GR102	LOOSING PLATE	1
43	270GW101	SPRING	1

4. Presser bar and tension release comp.(2)

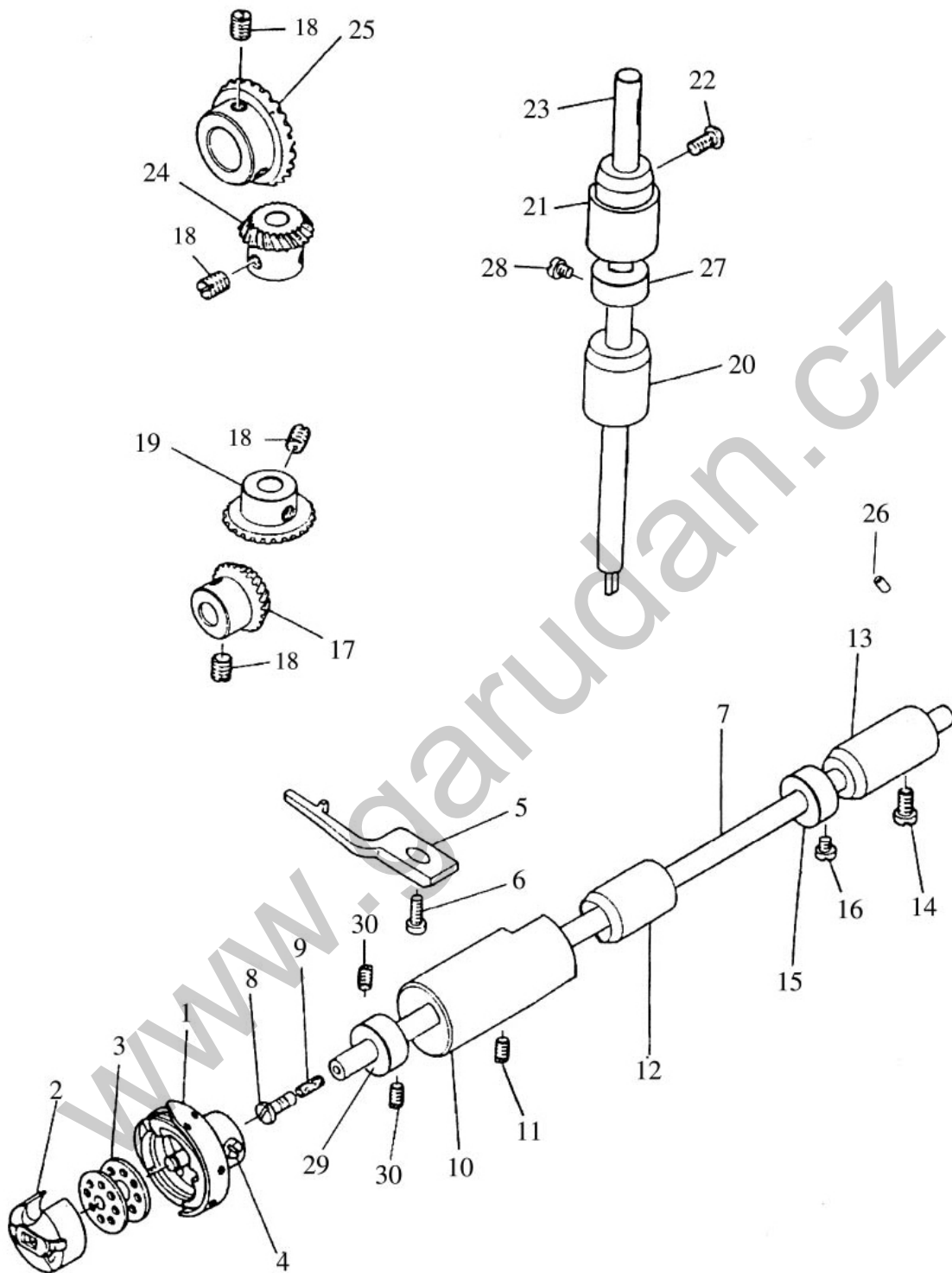


4. Presser bar and tension release comp. (2)

Ref.No.	Part No.		Description	QTY
44	220.GB.128		BEFFLE	1
45	MJ13		PRESSER BAR OIL SEAL	1

www.garudan.cz

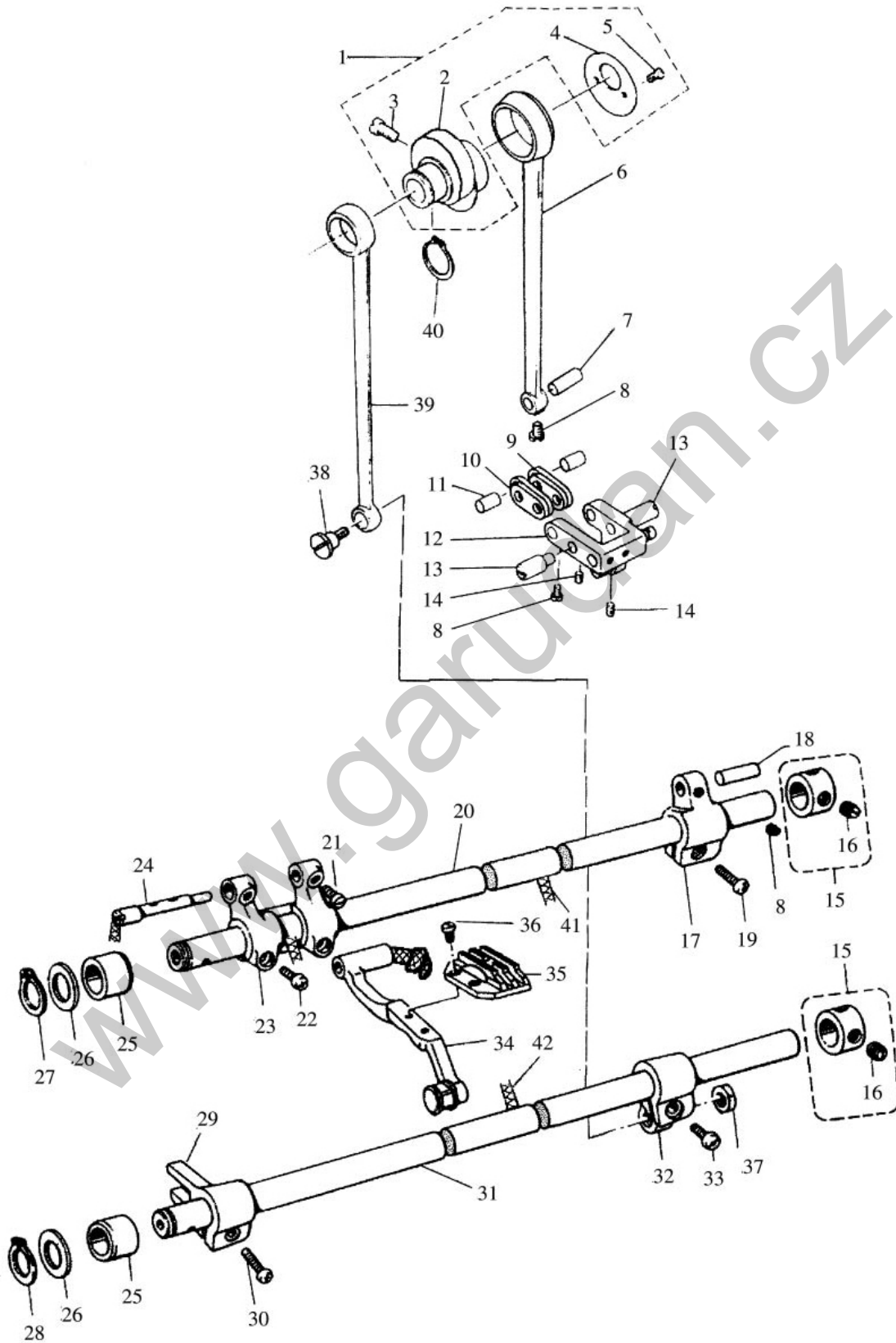
5. Hook and lower shaft



5. Hook and lower shaft

Ref.No.	Part No.	Description	QTY
1	10503616	HOOK ASM.	1
2	GN138-8	BOBBIN CASE ASM.	1
3	GN139-8	BOBBIN	1
4	GS327-8	SCREW	2
5	GR631-8	POSTIONING FINGER	1
6	GS328-8	SCREW 11/64 -40 L=9.5	1
7	270GZ103	KOOK DRIVING SHAFT	1
8	GS329-8	OIL SEAL SCREW ASM.	1
9	GR633-8	OIL WICK	1
10	GO302-8	BUSHING ASM . FRONT	1
11	GS316-8	SCREW 15/64-28 L=7.5	1
12	270GO105	BUSHING MIDDLE	1
13	GO270-8	BUSHING REAR	1
14	GS402-8	SCREW	1
15	GR636-8	THRUST COLLAR ASM.	1
16	GS331-8	SCREW 1/4-40 L=8	2
17	GC154-8	PINION ASM.	1
18	GS712-8	SCREW 1/4-40 L=8	8
19	GC155-8	GEAR ASM LARGE	1
20	GO271-8	UPRIGHT SHAFT BUSHING, LOWER	1
21	GO272-8	BUSHING, UPPER	1
22	GS403-8	SCREW 11/64-28 L=9	1
23	GZ324-8	UPRINGT SHAFT	1
24	GC156-8	PINION ASM.	1
25	GC157-8	GEAR ASM.	1
26	GR955-8	BLOCK	1
27	GR636-8	THRUST COLLAR ASM.	1
28	GS331-8	SCREW 1/4 - 40 L=8	2
29	GO349-8	OIL SEAL RING	1
30	GS478-8	SCREW	2

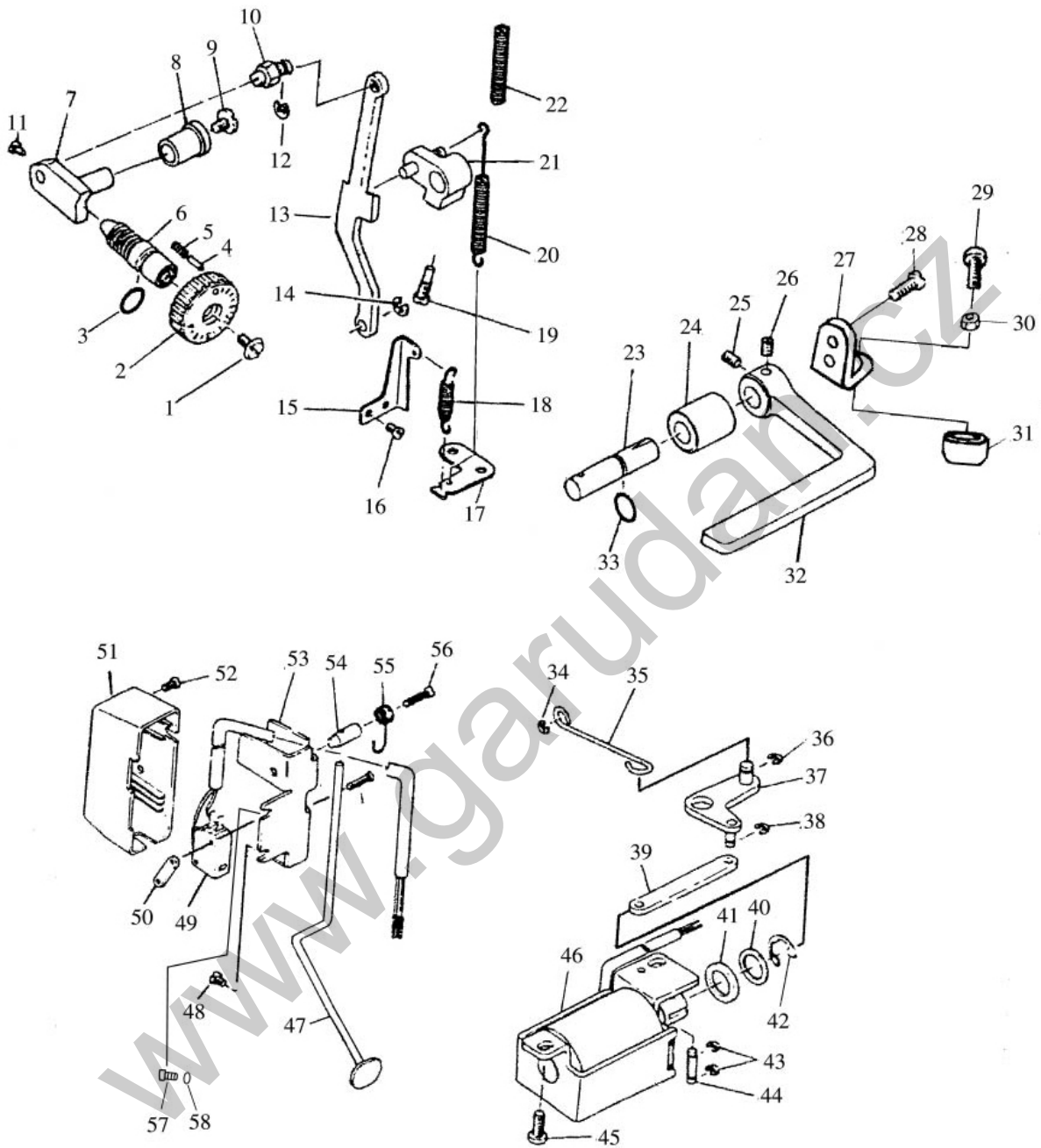
6. Feed mechanism components



6. Feed mechanism components

Ref.No.	Part No.	Description	QTY
1	1051301	FEED DRIVE ECCENTRIC CAM ASM.	1
2	GT156-8	FEED DRIVE ECCENTRIC CAM	1
3	GS332-8	SCREW 1/4-40 L=11	2
4	GR638-8	THRUST COLLAR	1
5	GS311-8	SCREW 9/64-40 L=5	2
6	GH214-8	ROCKER SHAFT CONNECTING ROD	1
7	GX204-8	WALKING FOOT PIN	1
8	GS333-8	SVREW 9/64-40 L=6	4
9	GR639-8	WALKING FOOT LINK	2
10	GR640-8	CONNECTING LINK	2
11	GX205-8	WALKING FOOT PIN	2
12	GR1024/3-8	WALKING FOOT ADJUST LINK	1
13	GX207-8	ADJUSTING LINK FULCRUM SHAFT	2
14	GS306-8	SCREW 15/64-28 L=7	2
15	270BJ105	RETAINING RING ASM.	2
16	SM501	SCREW	2
17	GH215-8	FEED ROCKER SHAFT CRANK ASM.	1
18	GX208-8	WALKING FOOD PIN	1
19	GS334-8	SCREW 9/64-28 L=14	1
20	270GZ105	FEED ROCKER SHAFT	1
21	GS459-8	SCREW	2
22	GS471-8	SCREW	2
23	270GH102	FEED CRACKET	1
24	270GS104	FEED BAR SHAFT	1
25	270GO106	FEED ROCKER SHAFT BUSHING	2
26	GO335-8	WASHER	2
27	GR643-8	RETAINING RING	1
28	GR643-8	RETAINING RING	1
29	GH216-8	DRIVING SHAFT CRANK ASM. FRONT	1
30	GS340-8	SCREW 11/64-40 L=10.5	1
31	270GZ104	FEED DRIVING SHAFT	1
32	GH217-8	REAR CRACK ASM.	1
33	GS334-8	SCREW 3/16-28 L=12	1
34	270BJ106	FEED ROCKET BASE ASM.	1
35	GM174-8	FEED DOG	1
36	GS337-8	SCREW 1/8-44 L=6	2
37	GL7	NUT	1
38	GS341-8	SCREW	1
39	GH218-8	CONNECTING ROD	1
40	GR650-8	RETAINING RING	1
41	GR651-8	OIL WICK	1
42	GR644-8	OIL WICK	1

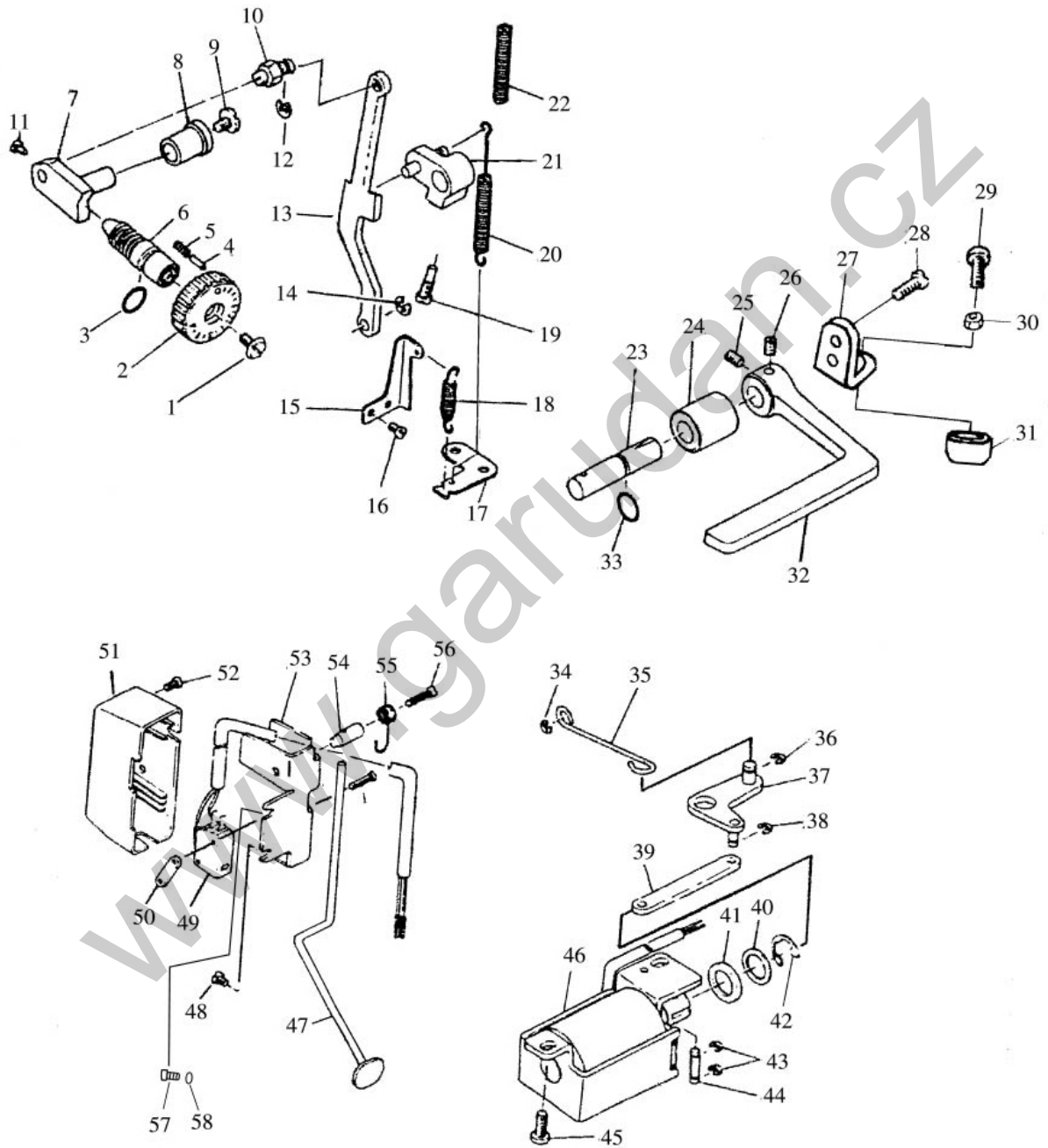
7. Feed regulating components (1)



7. Feed regulating components (1)

Ref.No.	Part No.	Description	QTY
1	GS342-8	SCREW 3/16-28 L=9	1
2	GR652-8	FEED DIAL	1
3	GR653-8	RUBBER RING	1
4	GX211-8	PIN	1
5	GR191-8	SPRING	1
6	270GS105	FEED REGULATOR SCREW	1
7	271GR107	FEED REGULATOR	1
8	270GO107	FEED REGULATOR BHSRING	1
9	GS344-8	SCREW	1
10	270GX102	FEED REGULATOR PIN	1
11	GS311-8	SCREW	2
12	GR625-8	SNAP RING	1
13	270GH103	FEED REGULATOR CONNECTING ROD	1
14	GR625-8	SNAP RING	1
15	GR658-8	ADJUSTING LINK SPRING GUIDE	1
16	GS347-8	SCREW 11/64-40 L=5	2
17	GR657-8	FEED REVERSE HOOK	1
18	GW241-8	ADJUSTING LINK SPRING	1
19	GS346-8	FEED REVERSE ARM SCREW	1
20	GW204-8	FEED REVERSE SPRING	1
21	270BJ107	FEED REVERSE ARM ASM.	1
22	GW234-8	SPRING	1
23	GZ237-8	FEED REVERSE SHAFT	1
24	GO275-8	FEED LEVER METAL	1
25	GS319-8	SCREW 1/4-40 L=8	1
26	GS319-8	SCREW 1/4-40 L=8	1
27	270GR108	RULER RETAINING PLATE	1
28	SM435	SCREW	2
29	004511	SCREW	1
30	GL170-8	NUT	1
31	270GK102	WASHER	1
32	241GR102	REVERSE FEED CONTROL LEVER	1
33	GR655-8	RUBBER RING	1
34	GR625-8	SNAP RING	1
35	GR1029-8	REVERSE FEED CONNECTING SHAFT	1
36	GR625-8	SNAP RING	1
37	GR1031/3-8	CONNECTING ARM ASM.	1
38	GR1028-8	SNAP RING	1
39	GH432-8	REVERSE FEED CONNECTING SHAFT	1
40	GO363-8	WASHER	1
41	GO362-8	RUBBER PLUNGER	1
42	GR1027-8	SNAP RING	1
43	GR1028-8	SNAP RING	2

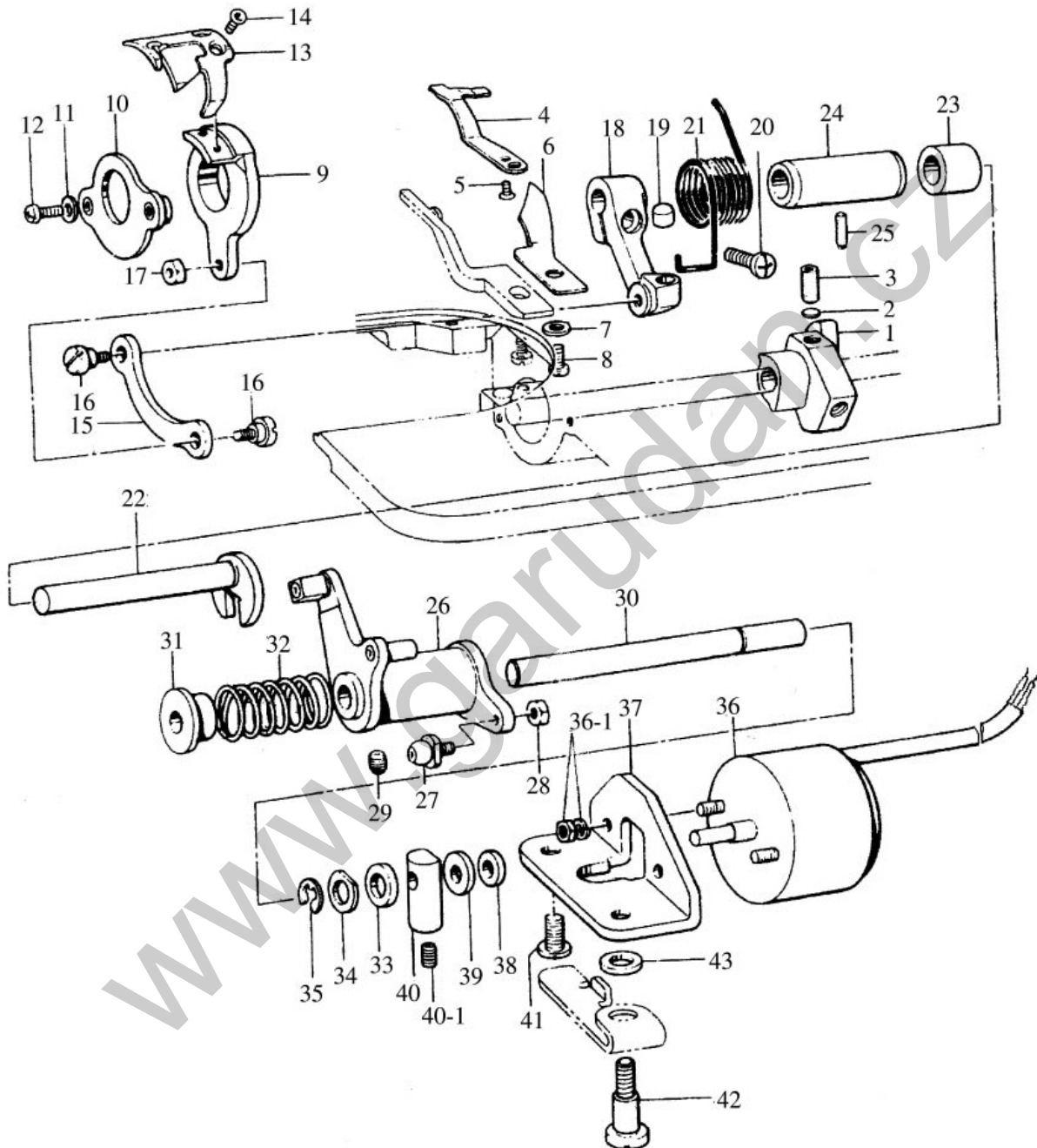
7. Feed regulating components (2)



7. Feed regulating components (2)

Ref.No.	Part No.	Description	QTY
44	GX248-8	PLUNGER ARM PIN	1
45	GS525-8	SCREW	2
46	GR2050-8	REVERSE FEED MAGNET ASM.	1
47	GR1036/2-8	REVERSE FEED SEITCH LEVER	1
48	GS300-8	SCREW 3/16-28 L=9	1
49	GD135-8	REVERSE FEED SWITCH	1
50	GR1035-8	REVERSE FEED SWITCH PLATE	1
51	GR1033-8	REVERSE FEED SWITCH COVER	1
52	GS336-8	SCREW 11/64-40 L=6	1
53	GR1034-8	REVERSE FEED SWITCH BASE	1
54	GX251-8	REVERSE FEED SWITCH SHAFT	1
55	GW235-8	REVERSE FEED SWITCH SPRING	1
56	GS079	SCREW	1
57	GS402-8	SCREW	1
58	270GK103	WASHER	1

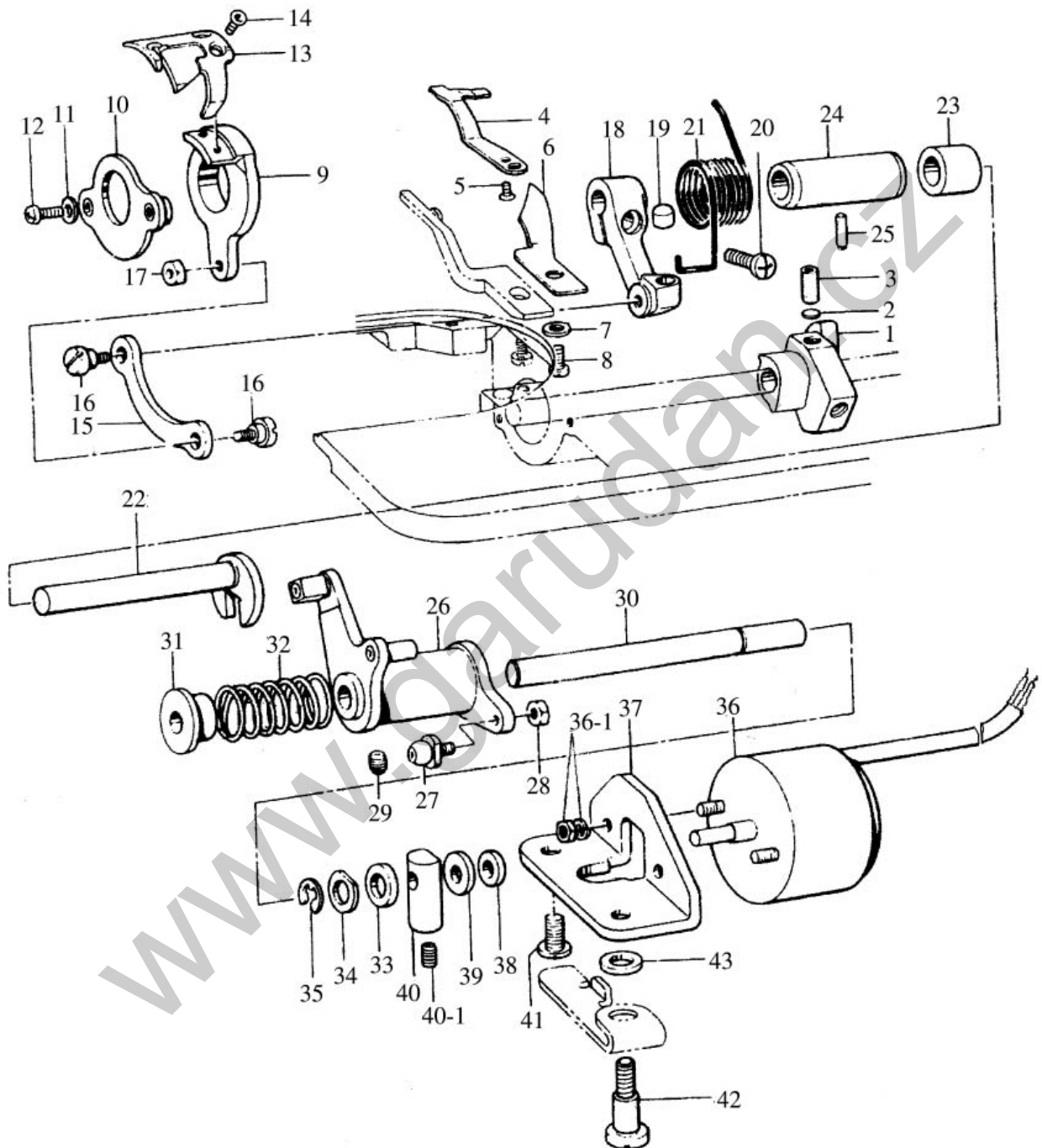
8. Thread trimmer components (1)



8. Thread trimmer components (1)

Ref.No.	Part No.	Description	QTY
1	220.GT.101	THREAD TRIMMER CAM	1
2	220.GB.114	CAM COLLAR	2
3	SS-7161040	SCREW	2
4	220.GB.115	CONNTER KNIFE	1
5	220.GS.106	SCREW	1
6	220.GB.116	DISPART THREAD SHUTTLE	1
7	220.GK.101	WASHER	1
8	GS472-8	SCREW	1
9	220.GB.117	ROUND KNIFE BRACKET	1
10	220.BJ.106	KNIFE HOLDER ASM.	1
11	220.GK.101	WASHER	2
12	SS-4111240	SCREW	2
13	220.GB.119	ROUND KNIFE	1
14	220.GS.107	SCREW	2
15	220.GH.103	KNIFE SHAFT CRACK ROD	1
16	220.GS.108	SCREW	2
17	220.GL.101	NUT	1
18	220.GB.120	TRIMMING CRANK	1
19	220.GB.121	BLOCK	1
20	SS-4121432	SCREW	1
21	220.GW.104	REPLACE SPRING	1
22	220.GZ.102	TRIMMING CRANK SHAFT	1
23	220.GO.103	SHORT BUSHING	1
24	220.GO.104	BUSHING	1
25	220.GS.109	SCREW	1
26	220.BJ.107	TRIMMING CAM CRANK ASM.	1
27	220.BJ.109	ROLLER BEARING SHAFT ASM.	1
28	220.GL.101	NUT	1
29	220.GS.110	SCREW	1
30	220.GZ.103	TRIMMING SHAFT	1
31	220.GR.103	SPRING CVER	1
32	220.GW.105	SPRING	1
33	220.GK.102	WASHER	1
34	GB/T896-1986 5	CLIP	1
35	GB/T97.1-1985 8	WASHER	1
36	270BJ108	THREAD TRIMMER SOLENOID ASM.	1
36-1	GB170-86 M4	NUT	2
37	270GR109	SOLENOID BASE	1
38	220.GK.103	WASHER	1
39	220.GK.104	WASHER	1

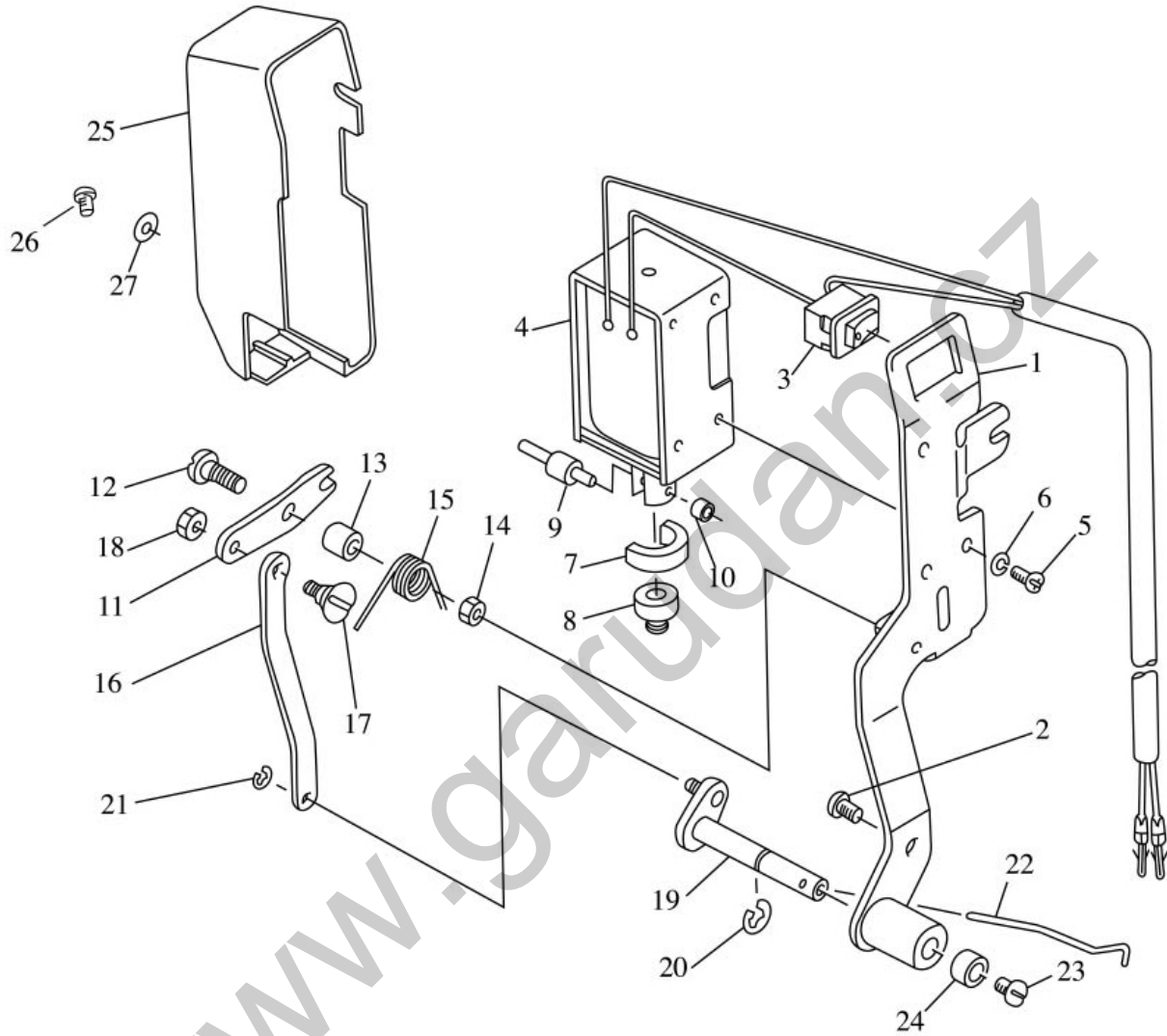
8. Thread trimmer components (2)



8. Thread trimmer components (2)

Ref.No.	Part No.	Description	QTY
40	220.GB.122	SOLENOID CONNECTING SHAFT	1
40-1	SS-7110440	SCREW	1
41	220.GS.111	SCREW	1
42	220.GS.112	SCREW	1
43	220.GK.105	WASHER	1

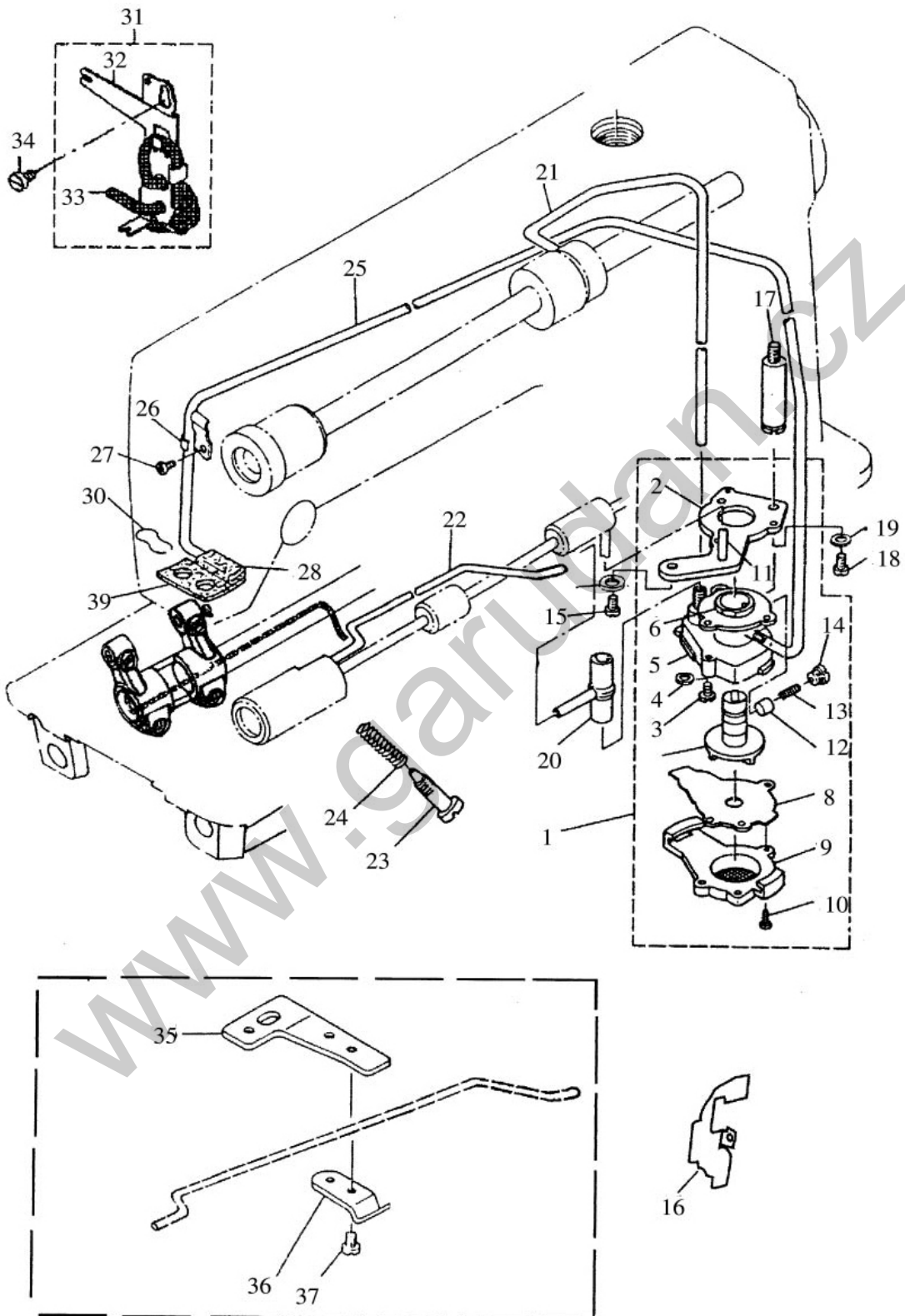
9. Wiper components



9. Wiper components

Ref.No.	Part No.	Description	QTY
1	GR1075/2-8	WIPER BASE ASM.	1
2	GS300-8	SCREW 3/16-28 L=9	1
3	GD136-8	POWER SOURCE SWITHCH ASM.	1
4	GR1078-8	WIPER SOLENOID	1
5	GBS206-8	SCREW 3/16-28 L=9	3
6	GBR215-8	WASHER	3
7	GR1074-8	WIPER RUBBER	1
8	GR1073-8	WIPER RUBBER	1
9	GX258-8	WIPER SOLENOID PIN	1
10	GO376-8	WIPER LINK COLLAR	1
11	GR1081-8	WIPER LINK	1
12	GS532-8	HINGE SCREW	1
13	GO375-8	WIPER HINGE SCREW COLLAR	1
14	GL185-8	NUT	1
15	GW240-8	SPRING	1
16	GH391-8	CONNECTING LINK	1
17	GS531-8	SCREW	1
18	GL186-8	NUT	1
19	GR1077/3-8	WIPER DRIVING SHAFT ASM.	1
20	GR625-8	SNAP RING	1
21	GR1072-8	SNAP RING	1
22	GR1071-8	WIPER	1
23	GS530-8	SCREW 9/64-40 L=5	1
24	GO374-8	BRACKET INSTALLING COLLAR	1
25	GR1070-8	WIPER BASE ASM.	1
26	GBS206-8	SCREW M3x0.5 L=6	1
27	GBR216-8	WIPER COVER SPRING WASHER	1

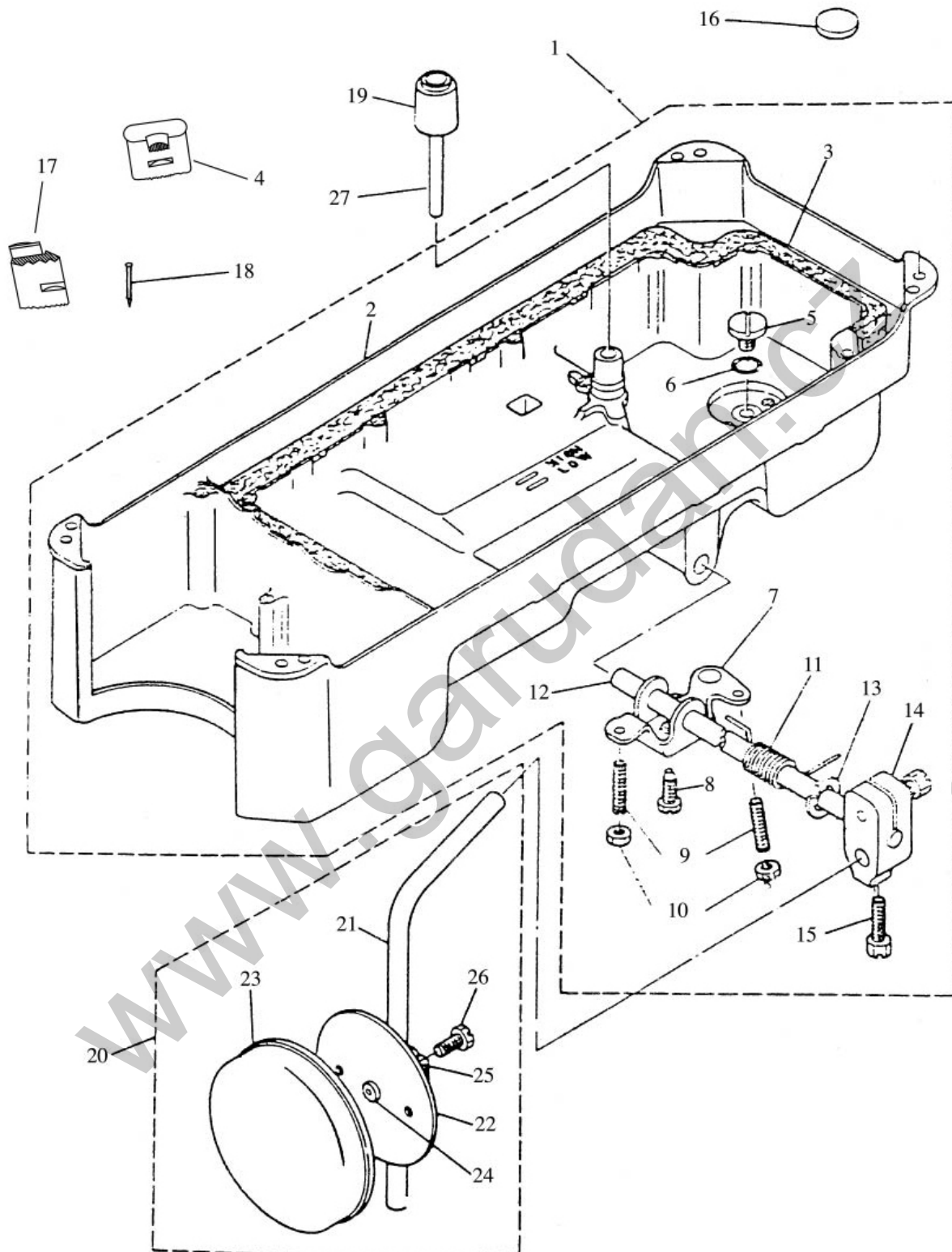
10. Lubrication



10. Lubrication

Ref.No.	Part No.	Description	QTY
1	GR659/20-8	LUBRICATING OIL PUMPASM.	1
2	GR660-8	OIL PUMP INSTALLING BASE	1
3	GS348-8	SCREW 15/64-28 L=9	3
4	GR661-8	WASHER	3
5	GR662-8	OIL PUMP	1
6	GO276-8	OIL PUMP BUSHING	1
7	GR663-8	OIL PUMP IMPELLER	1
8	GR664-8	OIL PUMP IMPELLER COVER	1
9	GR665/2-8	LUBRICATING OIL PUMP COVER	1
10	GS349-8	SCREW	3
11	GR667-8	HOOK DRIVING SHAFT OIL TUBE	1
12	GR666-8	PLUNGER	1
13	GW194-8	PLUNGER SPRING	1
14	GS350-8	SCREW	1
15	GS353-8	SCREW	1
16	GR2065-8	OIL STOPPER ASM.	1
17	GS533-8	OIL PUMP SUPPORT	1
18	GS328-8	SCREW 11/64-40 L=9.5	1
19	GR1079-8	WASHER	1
20	GR668-8	RUBBER JOINT	1
21	GR669-8	MAIN SHAFT OIL TUBE	1
22	270GR110	OIL TUBE	1
23	GS493-8	OIL ADJUSTING SCREW	1
24	GW218-8	SPRING	1
25	GR674-8	OIL TETURN GUARD	1
26	GR1566-8	OIL REURN TUBE HOLDER	1
27	GS310-8	SCREW 2/16-28 L=6	1
28	GR676-8	ANTI-DUST OIL FELT	1
29	GR677-8	OIL FELT	1
30	GR678-8	OIL FELT PRESSER	1
31	227GB104	OIL WICK SUPPORT ASM.	
32	227GB105	OIL WICK SUPPORT	1
33	227GB106	OIL WICK	1
34	227GB107	SCREW	1
35	GR1018-8	WIRE HOLDER BARCKET (LOWER)	1
36	GR1017-8	WIRE HOLDER	1
37	GS010	SCREW 11/64-40 L=5	1

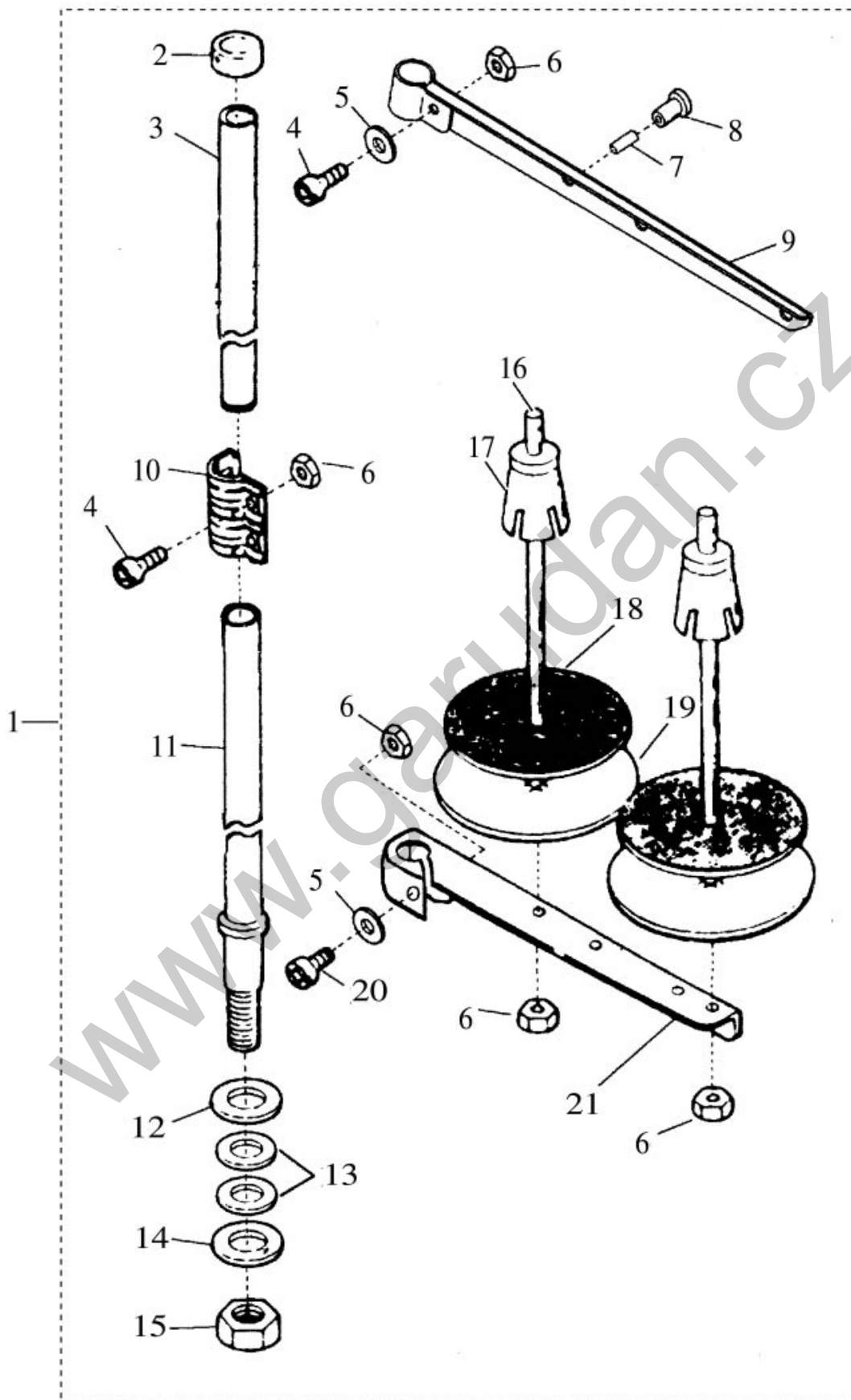
11. Oil pan components



11. Oil pan components

Ref.No.	Part No.	Description	QTY
1	GR680/21-8	OIL PLATE COMPONENTS	1
2	GR681-8	OIL PLATE	(1)
3	GR682-8	OIL PLATE BED	1
4	GR683-8	MACHINE HEAD BED	(4)
5	GR355-8	OIL EXRRACTION HOLE SCREW	1
6	GR684-8	"O"RING OF OIL EXTRACTING HOLE SCREW	1
7	GH345-8	TWO-WAY CRANK OF LIFTING PRESSOR FOOT	(1)
8	GS356-8	SCREW	(1)
9	GS357-8	BANKING SCREW OF TWO-WAY CRANK	(2)
10	GL170-8	BANKING NUT OF TWO-WAY CRANK	3
11	GW196-8	TWISTING SPRING	(1)
12	GZ238-8	LIFTING PRESSOR FOOT SHAFT	(1)
13	GR688-8	OPEN SHIELD RING	(1)
14	GR689-8	OPERATING BAR HEAD OF LIFTING PRESSOR FOOT	(1)
15	GS358-8	OPERATING BAR HEAD SCREW	(2)
16	GR685-8	OIL PLATE MAGNET	1
17	GR687-8	OIL PLATE SEAT	2
18	GBX141-8	OIL PLATE NAIL	4
19	GH346-8	TOP PIN OF LIFTING PRESSOR FOOT	1
20	GR690-8	OPERATING BAR COMPONENTS	1
21	GR691-8	OPERATING BAR	1
22	GR692-8	OPERATING PLATE	1
23	GR693-8	SOFT CUSHION OF OPERATING BAR	1
24	GR694-8	OPERATING BAR BED	1
25	GR695-8	OPERATING BAR TIP	1
26	GS359-8	TIIP SCREW	1
27	GH347-8	PIN OF LIFTING PRESSOR FOOT ASM.	1

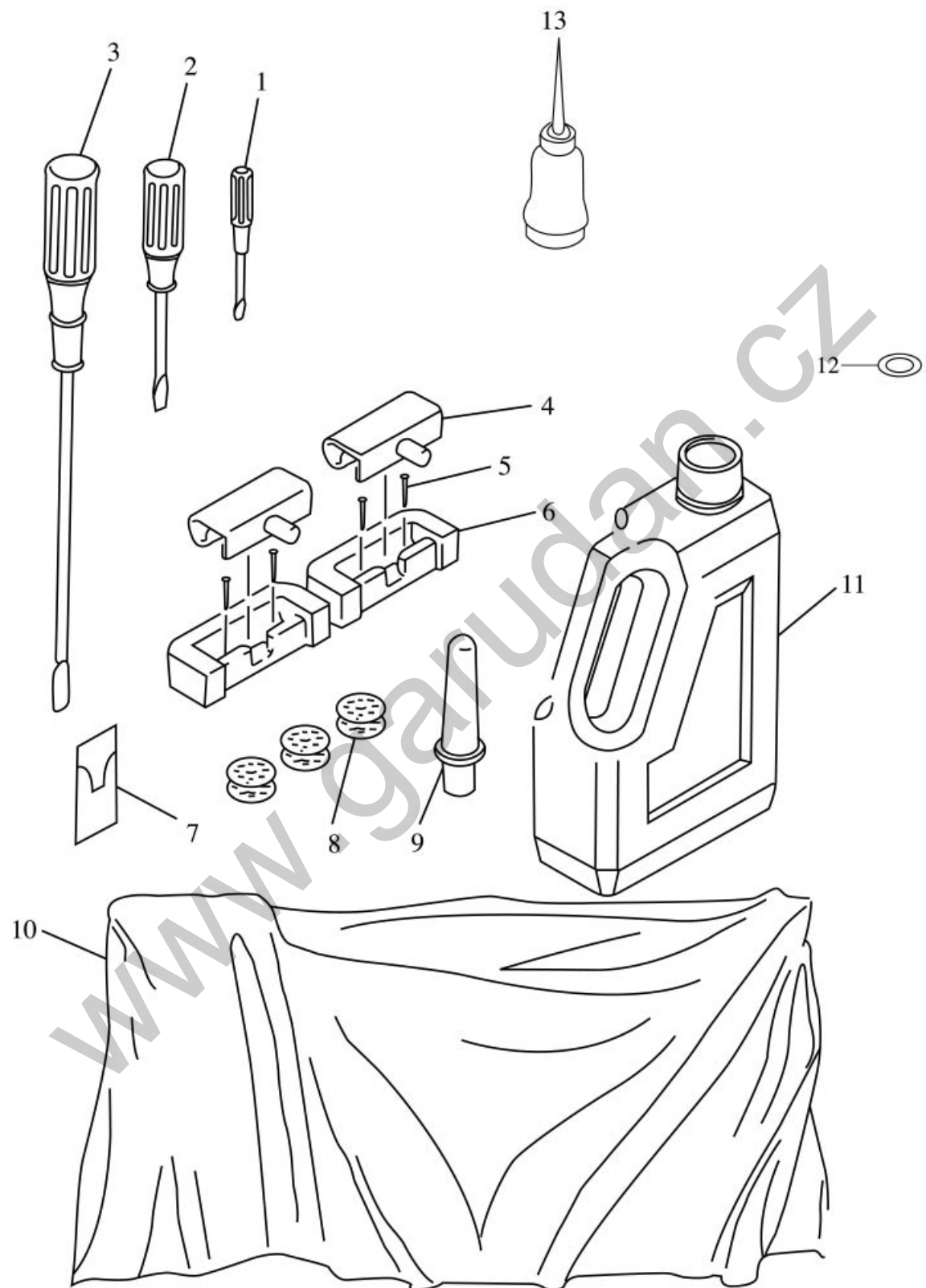
12. Thread stand



12. Thread stand

Ref.No.	Part No.	Description	QTY
1	XJ2.00	THREAD STAND ASM.	
2	XJ2.02-02	COLUMN CAP	1
3	XJ2.02-01	COLUMN PIPE(UPPER)	1
4	GB/T973-76M5X14	SCREW	2
5	GB97.1-85-5	WASHER	2
6	GB6170-86 M5	NUT	5
7	XJ2.01-02	THREAD GUIDE PIPE	1
8	XJ2.01-03	THREAD GUIDE BUSHING	1
9	XJ2.01-01	THREAD HANGER (2 SPOOLS TUPE)	1
10	XJ2.03-01	COLUMN PIPE CONNECTOR	1
11	XJ2.05-03	COLUMN PIPE (LOWER)	1
12	XJ2.05-02	WASHER	1
13	XJ2.05-01	WASHER	1
14	XJ2.05-04	WASHER	2
15	GB6170-86 M5	NUT	1
16	XJ2.06-04	SPOOL PIN	2
17	XJ2.06-03	SPOOL CUSHION	2
18	XJ2.06-02	SOFT CUSHION OF THREAD PLARE	2
19	XJ2.06-01	THREAD PLATE	2
20	GB/T973-76M5X30	SCREW	1
21	XJ2.04-01	THREAD HANGER (LOWER)	1

13. Accessories



13. Accessories

Ref.No.	Part No.	Description	QTY
1	GR702-8	SCREW DRIVER ,SMALE	1
2	GR701-8	SCREW DRIVER ,MIDDLE	1
3	GR700-8	SCREW DRIVER,LARGE	1
4	GR696/2-8	HINGE COMPL	2
5	GBX141-8	NAIL	6
6	GR697-8	RUBBER CUSHION	2
7	134R	NEEDLE	1
8	GN139-8	BOBBIN	3
9	GR1123-8	FRAME SUPPORT BAR	1
10	GF201-8	FRAMEVINYL COVER	1
11	GR703/3-8	OIL BOTTLE WITH OIL	1
12	101GF115	RUBBER RING	1
13	201-2630	OILER ASM.	1

www.garudan.cz

www.garudan.cz