

Katalog náhradních dílů

GARUDAN[®]

GF-105-143 serie



ANITA B, s.r.o.

Průmyslová 2453/7

680 01 Boskovice

Czech Republic

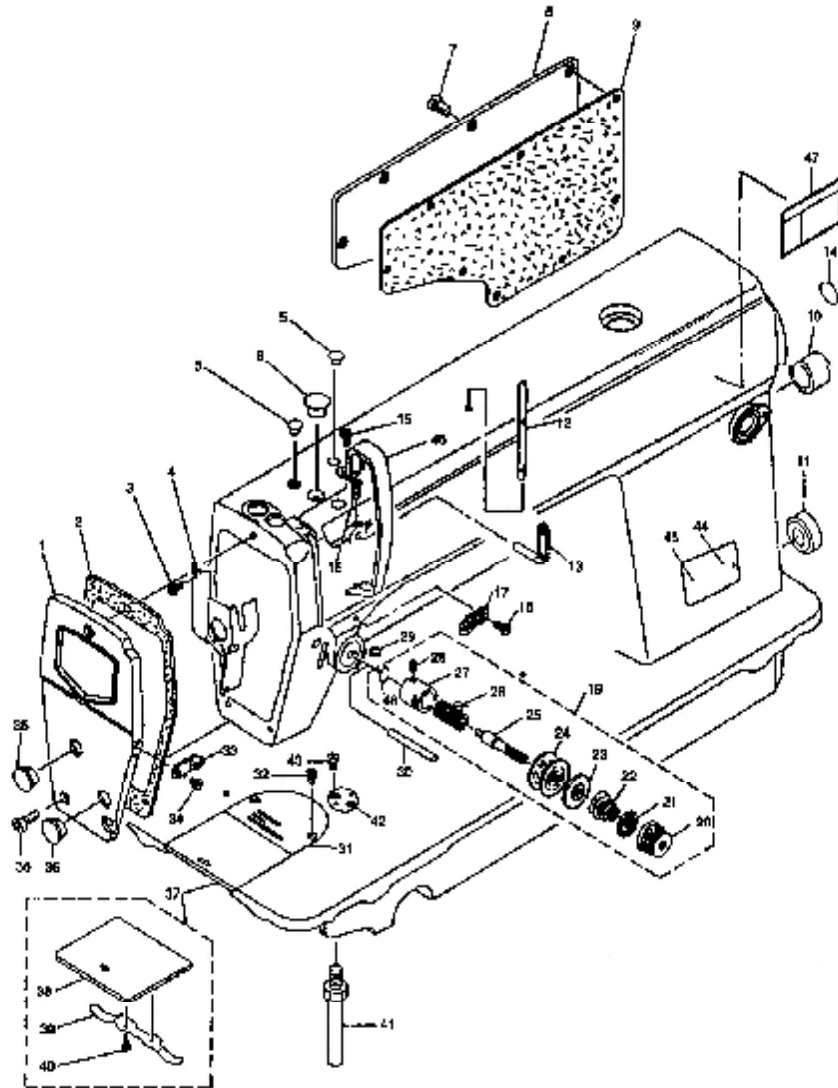
tel: +420 515 553 628

+420 515 553 621

fax: +420 515 553 626

e-mail: info@anita.cz

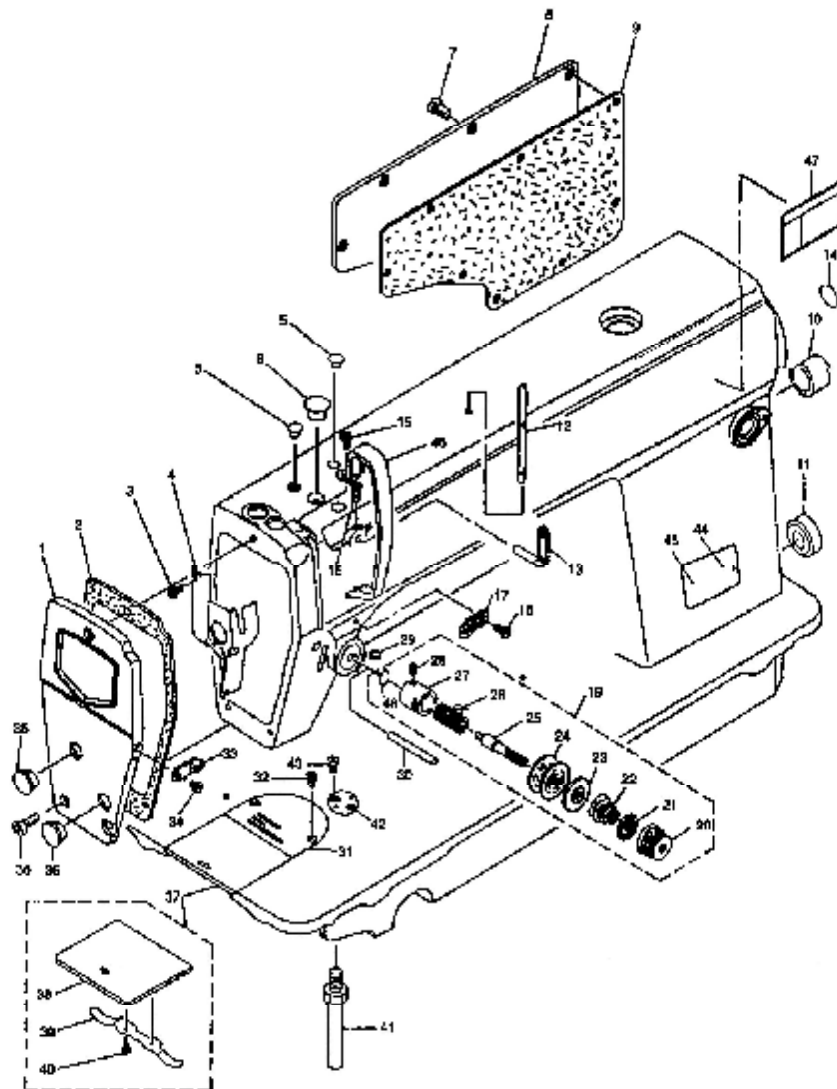
1. Machine frame and cover components (1)



1. Machine frame and cover components (1)

Ref. No.	Part. No.	Description	Qty	LM	H	HR
1	GR581-8	Face plate ASM	1	*	*	*
2	GR582-8	Face plate gasket	1	*	*	*
3	GS159-8	Screw 1/8"x44L=4	1	*	*	*
4	GR679/2-8	ARM oil shield ASM	1	*	*	*
5	GR585-8	Rubber plug	2	*	*	*
6	GR584-8	Rubber plug	1	*	*	*
7	GS300-8	Screw 3/16"x28L=9	8	*	*	*
8	GR578-8	Side plate	1	*	*	*
9	GR579-8	Gasket	1	*	*	*
10	GR586-8	Rubber plug	1	*	*	*
11	GR587-8	Rubber plug	1	*	*	*
12	GR611-8	Needle thread guide pin	1	*		
	GR800-8	Needle thread guide pin	1		*	*
13	GR602-8	Three-hole thread eyelet	1	*	*	*
14	GQ200-8	Earthing indication plate	1	*	*	*
15	GS310-8	Screw 3/16"L=6	1	*	*	*
16	GS310-8	Screw 3/16"L=6	1	*	*	*
17	GR603-8	Arm thread guide-Right	1	*	*	*
18	GS313-8	Screw 11/64"40L=6	1	*	*	*
19		Thread tension ASM	1	*	*	*
20	GL167-8	Tension nut	1	*	*	*
21	GR609-8	Tension disc stopper	1	*	*	*
22	GW184-8	Tension spring	1	*		
	GW202-8	Tension spring	1		*	*
23	GR608-8	Tension disc holder	1	*	*	*
24	GR607-8	Tension disc	2	*	*	*
25	GS314-8	Screw	1	*	*	*
26	GW183-8	Take-up spring	1	*		
	GW201-8	Take-up spring	1		*	*
27	GR606-8	Tension post socket	1	*	*	*
28	GS315-8	Screw 9/64"	1	*	*	*
29	GS316-8	Screw	1	*	*	*
30	GX200-8	Thread release pin	1	*	*	*
31	GM166-8	Needle plate	1	*	*	*
	GM173-8	Needle plate	1	*		
32	GS338-8	Screw 11/64"x40L=8,5	2		*	*
33	GR604-8	ARM thread guide-Left	1	*	*	*
34	GS313-8	Screw 11/64"x40L=6	1	*	*	*
35	GR583-8	Rubber plug	2	*	*	*
36	GS300-8	Screw 3/16"x28L=9	3	*	*	*
37	GM167/4-8	Bed slime ASM	1	*	*	*
38	GM168-8	Slide plate	1	*	*	*
39	GW190-8	Spring of slide plate	1	*	*	*

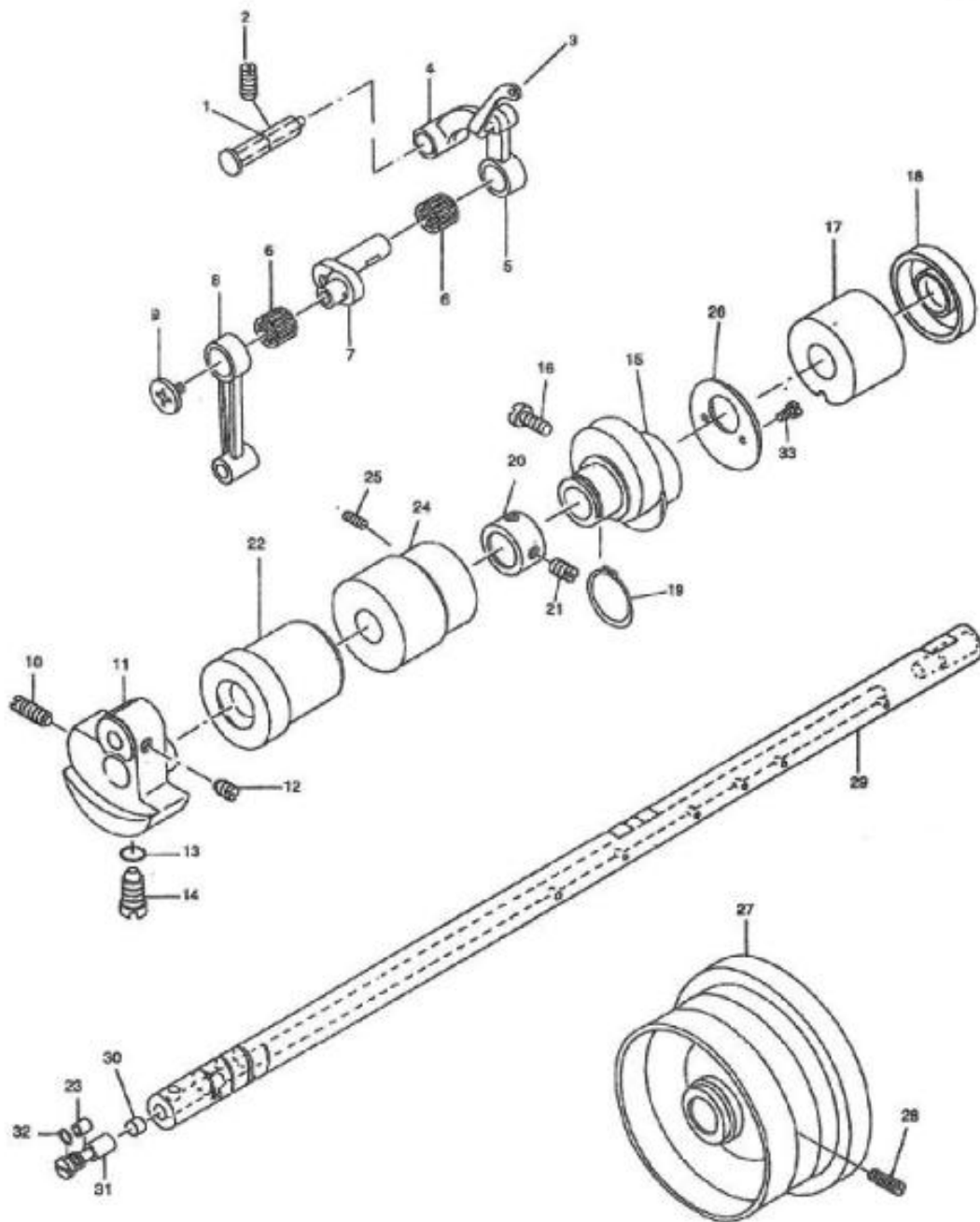
1. Machine frame and cover components (2)



1. Machine frame and cover components (2)

Ref. No.	Part. No.	Description	Qty	LM	H	HR
40	GS339-8	Screw 3/32"x56L=1,9	2	*	*	*
41	GS299-8	Bed Screw STUD	4	*	*	*
42	GR724-8	Ruler plate	1	*	*	*
43	GS373-8	Ruler plate screw	2	*	*	*
44	GQ195-8	Model plate	1	*		
	GQ228-8	Model plate	1		*	
	GQ218-8	Model plate	1			*
45	GX196-8	Pole	2	*	*	*
46	GX153-5	Thread take-up lever cover	1	*		
	GX162-8	Thread take-up lever cover	1		*	*
47	GQ196-8	Safety-indicating plate	1	*	*	*
48	GR1428-8	Rubber ring	1	*	*	*

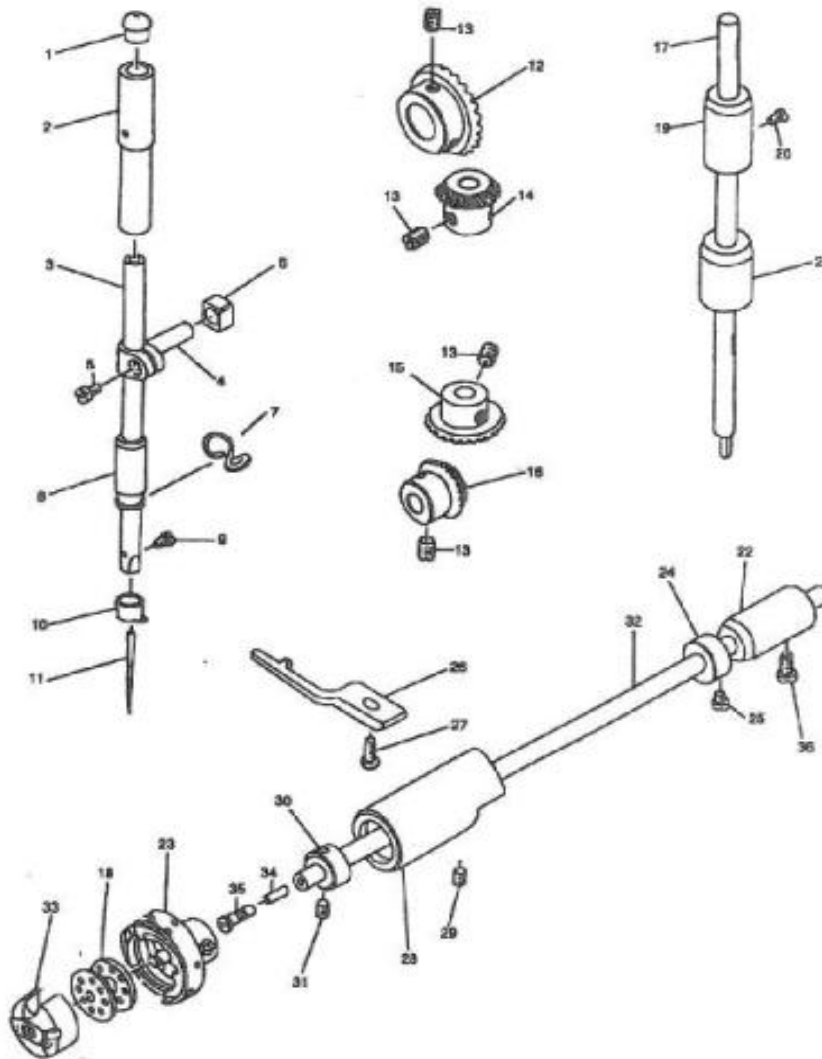
2. Main shaft and thread take-up lever components



2. Main shaft and thread take-up lever components

Ref. No.	Part. No.	Description	Qty	LM	H	HR
1	GX199-8	Thread take-up crank shaft	1	*		*
	GR596/2-8	Thread take-up crank shaft	1		*	*
2	GS308-8	Screw 15/64"x28L=105	1	*	*	*
3	GR595-8	Oil resistant cover	1	*	*	*
4	GH212-8	Thread take-up bar	1	*		
	GH358-8	Thread take-up bar	1		*	*
5	GH210/4-8	Thread take-up lever ASM	1	*		
	GH350/4-8	Thread take-up lever ASM	1		*	*
6	GO265-8	Needle bearing	2	*	*	*
7	GH208/2-8	Needle bar crank	1	*		
	GH352-8	Needle bar crank	1		*	*
8	GH213-8	Needle bar crank rod	1	*	*	*
9	GS309-8	End screw 9/64"x40L=4.8	1	*	*	*
10	GS307-8	Screw 9/32"x28L=16	1	*	*	*
11	GH349-8	Conter weight	1	*		*
	GH207-8	Counter weight	1		*	
12	GR167-8	Screw 1/40x40L=6	2	*	*	*
13	GR592-8	Rubber ring	1	*	*	*
14	GS371-8	Screw 9/32"x28L	1	*	*	*
15	GT156-8	Feed drive eccentric cam	1	*		
	GT159-8	Feed drive eccentric cam	1		*	*
16	GS332-8	Screw 1/40"x40L=6	2	*	*	*
17	GO256-8	Main shaft rear bushing	1	*	*	*
18	GR588-8	Oil seal	1	*	*	*
19	GR650-8	Snap ring	1	*	*	*
20	GR589-8	Thrust collar	1		*	*
21	GS305-8	Screw 1/40"x40L=6	2	*	*	*
22	GO259-8	Main shaft front bushing	1	*	*	*
23	GX198-8	Oil amount adjusting pin	1	*	*	*
24	GO258-8	Intermediate bushing	1	*	*	*
25	GS306-8	Screw	2	*	*	*
26	GR638-8	Thrust collar	1	*		
	GR808-8	Thrust collar	1		*	*
27	GP147-8	Hand wheel	1	*	*	
	GP157-8	Hand wheel	1			*
28	GS304-8	Screw	1	*	*	*
29	GZ229-8	Main shaft	1	*	*	*
30	GR590-8	Roller felt	1	*	*	*
31	GO261-8	Sleeve of oil amount adjusting pin	1	*	*	*
32	GR591-8	O-ring	1	*	*	*
33	GS311-8	Screw 9/64"x40L=6	2	*	*	*

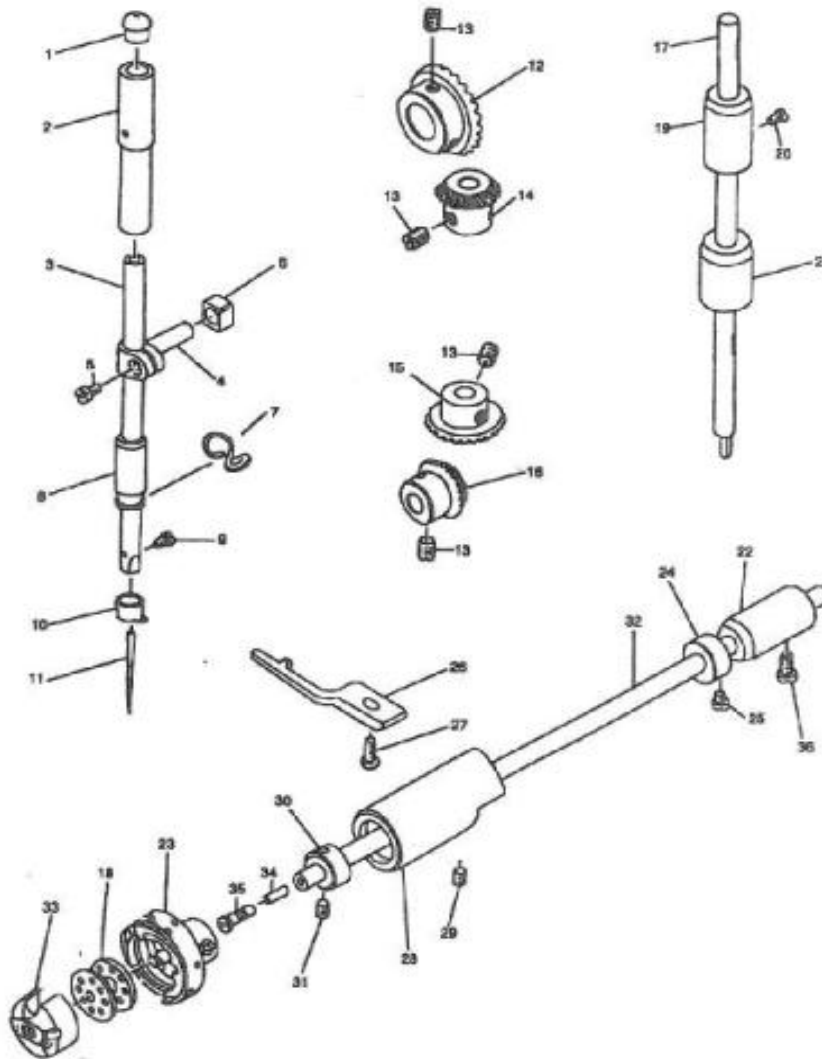
3. Needle bar upright shaft and hook driving shaft components (1)



3. Needle bar upright shaft and hook driving shaft components (1)

Ref. No.	Part. No.	Description	Qty	LM	H	HR
1	GR599-8	Cap	1	*	*	*
2	GO266-8	Needle bar upper bushing	1	*	*	*
3						
	GZ251-8	Needle bar	1	*	*	*
4	GR598-8	Needle bar connecting rod	1	*	*	*
5	GS311-8	Screw 9/64"x40L=6	1	*	*	*
6	GU152-8	Slide black	1	*	*	*
7	GR600-8	Needle bar thread guide	1	*		
	GR801-8	Needle bar thread guide	1		*	*
8	GO267-8	Needle bar lower bushing	1	*		
	GO289-8	Needle bar lower bushing	1		*	*
9	GS312-8	Screw 1/8"x44L=4.5	1	*	*	*
10	GR601-8	Needle bar thread guide	1	*		
	GR802-8	Needle bar thread guide	1		*	*
11	GV132-8	Needle DBx1	1	*		
	GV134-8	Needle DPx5	1		*	*
12	GG157-8	Gear of main shaft (big)	1	*	*	*
13	GS319-8	Screw 1/4"x40L=8	8	*	*	*
14	GG156-8	Gear of upright shaft (small)	1	*	*	*
15	GG155-8	Gear of upright (big)	1	*	*	*
16	GG154-8	Gear of hook driving shaft (big)	1	*	*	*
17	GZ234-8	Upright shaft	1	*	*	
	GZ255-8	Upright shaft	1			*
18	GN139-8	Bobbin	1	*		
	GN566-8	Bobbin	1		*	*
19	GO272-8	Upper bushing	1	*	*	*
20	GS403-8	Screw 3/16"x28L=9	1	*	*	*
21	GO271-8	Upright shaft lower bushing	1	*	*	*
22	GO270-8	Rear bushing	1	*	*	*
23	GN137-8	Hook	1	*	*	
		Hook	1			*
24	GR636-8	Thrust collar	1	*	*	*
25	GS331-8	Screw 11/64"x40L=4.8	2	*	*	*
26	GR631-8	Positioning finger	1	*	*	
	GR818-8	Positioning finger	1			*
27	GS828-8	Screw 11/64"x40L=9.5	1	*	*	*
28	GO269-8	Front bushing	1	*	*	
	GO291-8	Front bushing	1			*
29	GS316-8	Screw	1	*		
	GS414-8	Screw	1		*	*
30	GR634-8	Thrust collar	1	*	*	*
31	GS330-8	Screw 11/64"x40L=3.5	2	*	*	*

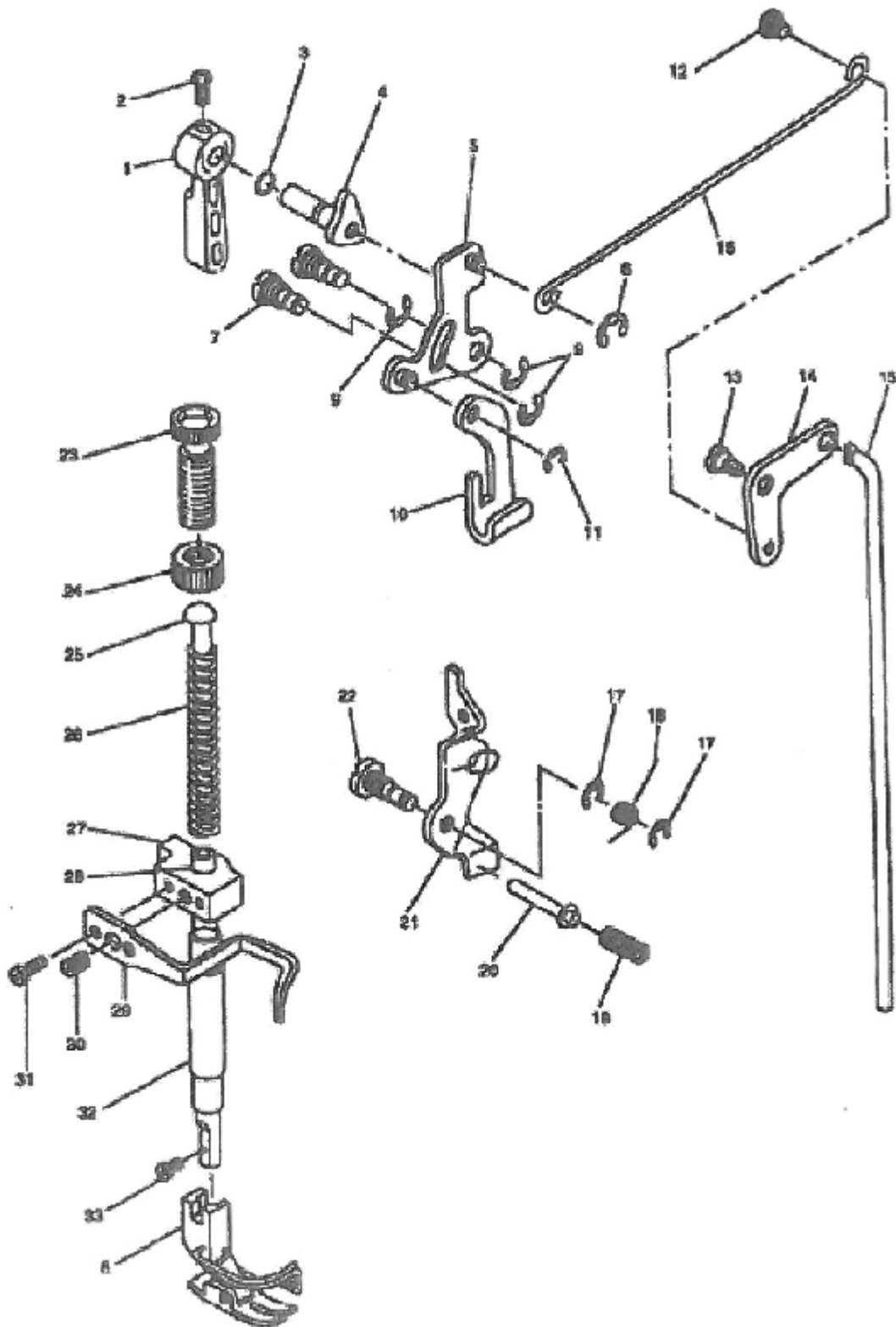
3. Needle bar upright shaft and hook driving shaft components (2)



3. Needle bar upright shaft and hook driving shaft components (2)

Ref. No.	Part. No.	Description	Qty	LM	H	HR
32	GR235-8	Hook driving shaft	1	*	*	
	GR252-8	Hook driving shaft	1			*
33	GN138-8	Bobbin case	1	*	*	
		Bobbin case	1			*
34	GR633-8	Oil wick	1	*	*	*
35	GS329-8	Screw	1	*	*	*
36	GS402-8	Screw 3/16"x28L=12	1	*	*	*

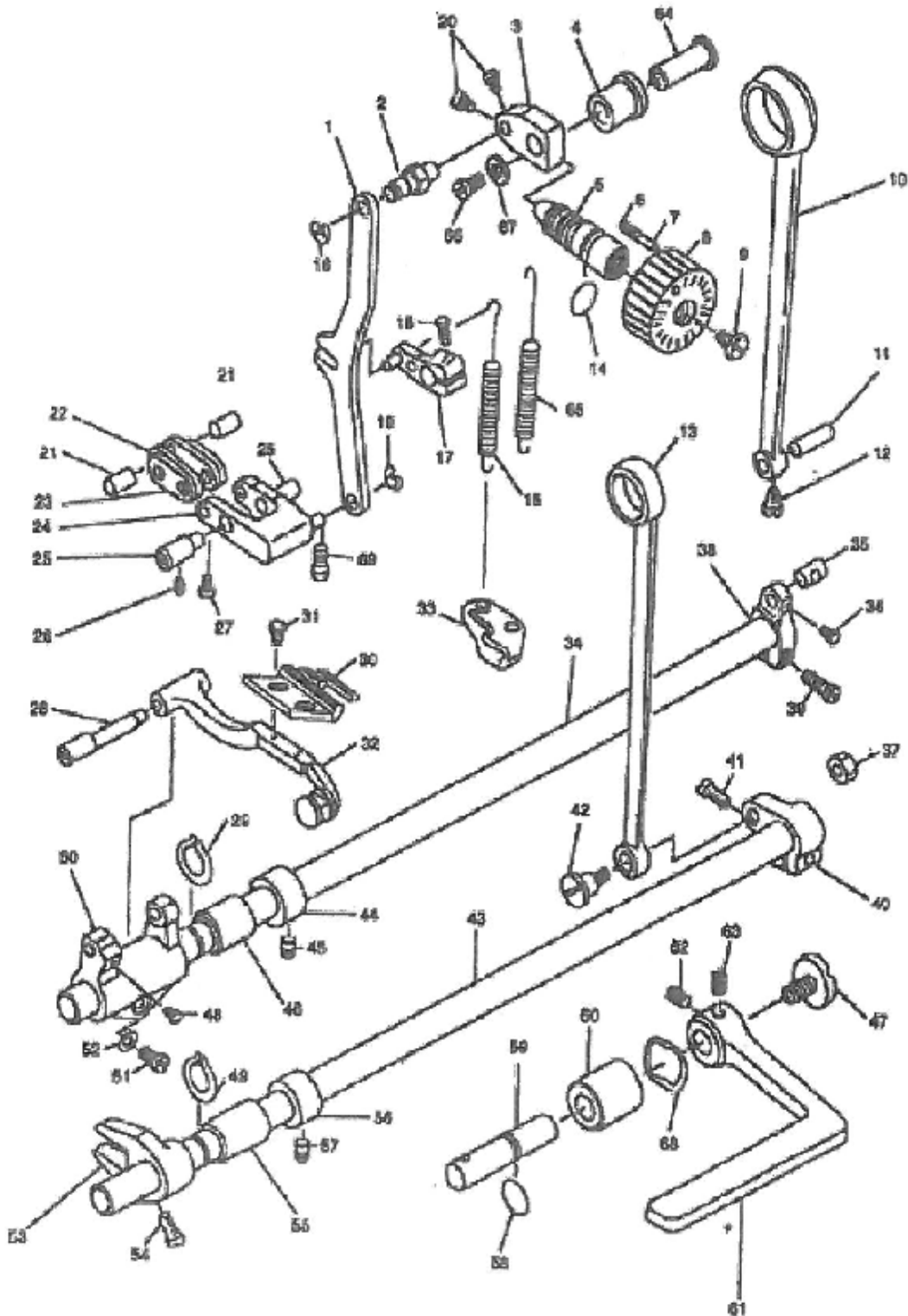
4. Presser foot components



4. Presser foot components

Ref. No.	Part. No.	Description	Qty	LM	H	HR
1	GR619-8	Hand lifter	1	*	*	*
2	GS322-8	Screw	1	*	*	*
3	GR621-8	Rubber ring	1	*	*	*
4	GR620/2-8	Hand lifter cam	1	*	*	*
5	GR623/3-8	Hand lifter link	1	*	*	*
6	GR625-8	Snap ring	1	*	*	*
7	GS323-8	Link shaft	1	*	*	*
8	GM164/5-8	Presser foot ASM	2	*	*	*
	GR803/5-8	Presser foot ASM	1	*	*	*
9	GR625-8	Snap ring	2	*	*	*
10	GR622-8	Lifting lever	1	*	*	*
11	GR626-8	Lifting lever ring	1	*	*	*
12	GS326-8	Hinge screw	3	*	*	*
13	GS325-8	Hinge screw	1	*	*	*
14	GR629-8	Lifting lever link	1	*	*	*
15	GR630-8	Connecting rod vertical	1	*	*	*
16	GR628-8	Lifting level connecting rod	1	*	*	*
17	GR625-8	Snap ring	2	*	*	*
18	GW189-8	Tension release return spring	1	*	*	*
19	GW185-8	Tension release pin spring	1	*	*	*
20	GX201-8	Tension release supporting pin	1	*	*	*
21	GR627-8	Tension release plate	1	*	*	*
22	GR324-8	Tension release shaft	1	*	*	*
23	GS318-8	Presser spring regulation	1	*	*	*
24	GL168-8	Nut	1	*	*	*
25	GR613-8	Presse guide bar	1	*	*	*
26	GW253-8	Presser spring	1	*	*	*
	GW203-8	Presser spring	1			
27	GR614-8	Presser bar guide bracket	1	*	*	*
28	GZ231-8	Presser bar	1	*	*	*
29	GR615-8	Presser bar thread guide	1	*	*	*
30	GS319-8	Screw 1/4"x40L=8.5	1	*	*	*
31	GS320-8	Screw 9/64"x40L=8.5	2	*	*	*
32	GO268-8	Presser bar lower bushing	1	*	*	*
	GO290-8	Presser bar lower bushing	1			
33	GS321-8	Screw 9/64"x40L=10.5	1	*	*	*

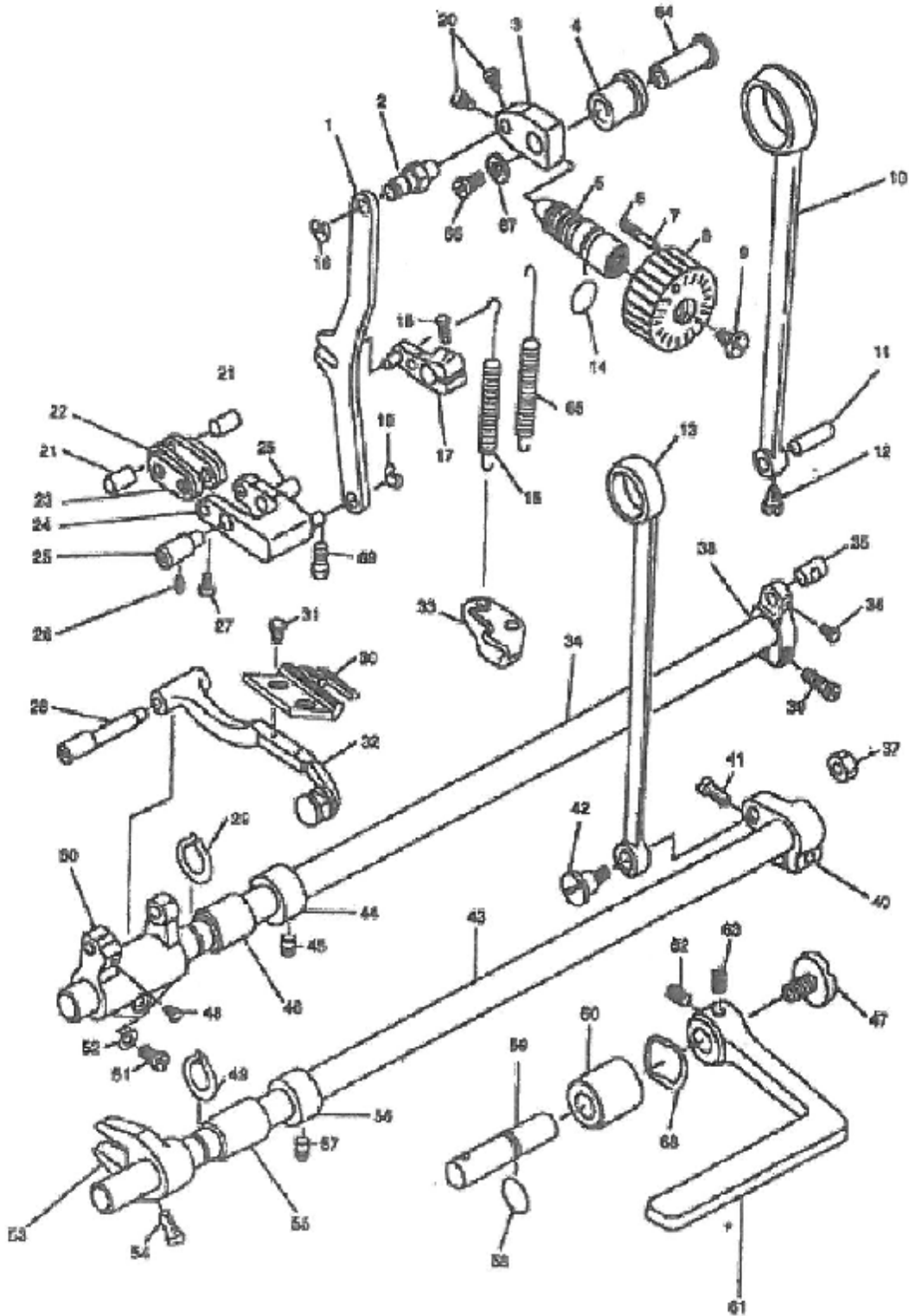
5. Feed mechanism components (1)



5. Feed mechanism components (1)

Ref. No.	Part. No.	Description	Qty	LM	H	HR
1	GH324-8	Feed adjust rod	1	*	*	*
	GH355-8	Feed adjust rod	1		*	*
2	GX212-8	Feed regulator pin	1	*		
	GX223-8	Feed regulator pin	1		*	*
3	GR654-8	Feed regulator	1	*		
	GR814-8	Feed regulator	1		*	*
4	GO274-8	Feed regulator bushing	1	*	*	*
5	GS343-8	Screw	1	*	*	*
6	GW191-8	Spring	1	*	*	*
7	GX211-8	Pin	1	*	*	*
8	GR652-8	Feed dial	1	*		
	GR813-8	Feed dial	1		*	*
9	GS342-8	Screw	1	*	*	*
10	GH214-8	Connection rod	1	*		
	GH353-8	Connection rod	1		*	*
11	GX204-8	Pin	1	*	*	*
12	GS333-8	Screw 9/64"x40L=6	1	*	*	*
13	GH218-8	Connection rod	1	*	*	*
14	GR653-8	Rubber ring	1	*	*	*
15	GW192-8	Spring	1	*		
	GW204-8	Spring	1		*	*
16	GR625-8	Snap ring	1	*	*	*
17	GH344	Reverse feed arm ASM	1	*		
	GH357	Reverse feed arm ASM	1		*	*
18	GS346-8	Screw	1	*		
	GS407-8	Screw	1		*	*
19	GR625-8	Snap ring	1	*	*	*
20	GS311-8	Screw 9/64"x40L=6	2	*	*	*
21	GX205-8	Pin	2	*	*	*
22	GR639-8	Link (long)	2	*	*	*
23	GR640-8	Link (short)	2	*	*	*
24	GR641/2-8	Feed adjusting ASM	1	*		
	GR811/2-8	Feed adjusting ASM	1		*	*
25	GX207-8	Adjusting link shaft	2	*	*	*
26	GS48	Screw 15/64"x28L=7	2	*	*	*
27	GS333-8	Screw 15/64"x40L=6	1	*	*	*
28	GX222-8	Feed bar shaft	1	*	*	*
29	GR643-8	Retaining ring	1	*	*	*
30	GM165-8	Feed dog	1	*		
	GM174-8	Feed dog	1		*	*
31	GS337-8	Screw 1/8"x44L=6	2	*	*	*
32	GR648-8	Feed bar ASM	1	*		
	GR810	Feed bar ASM	1		*	*

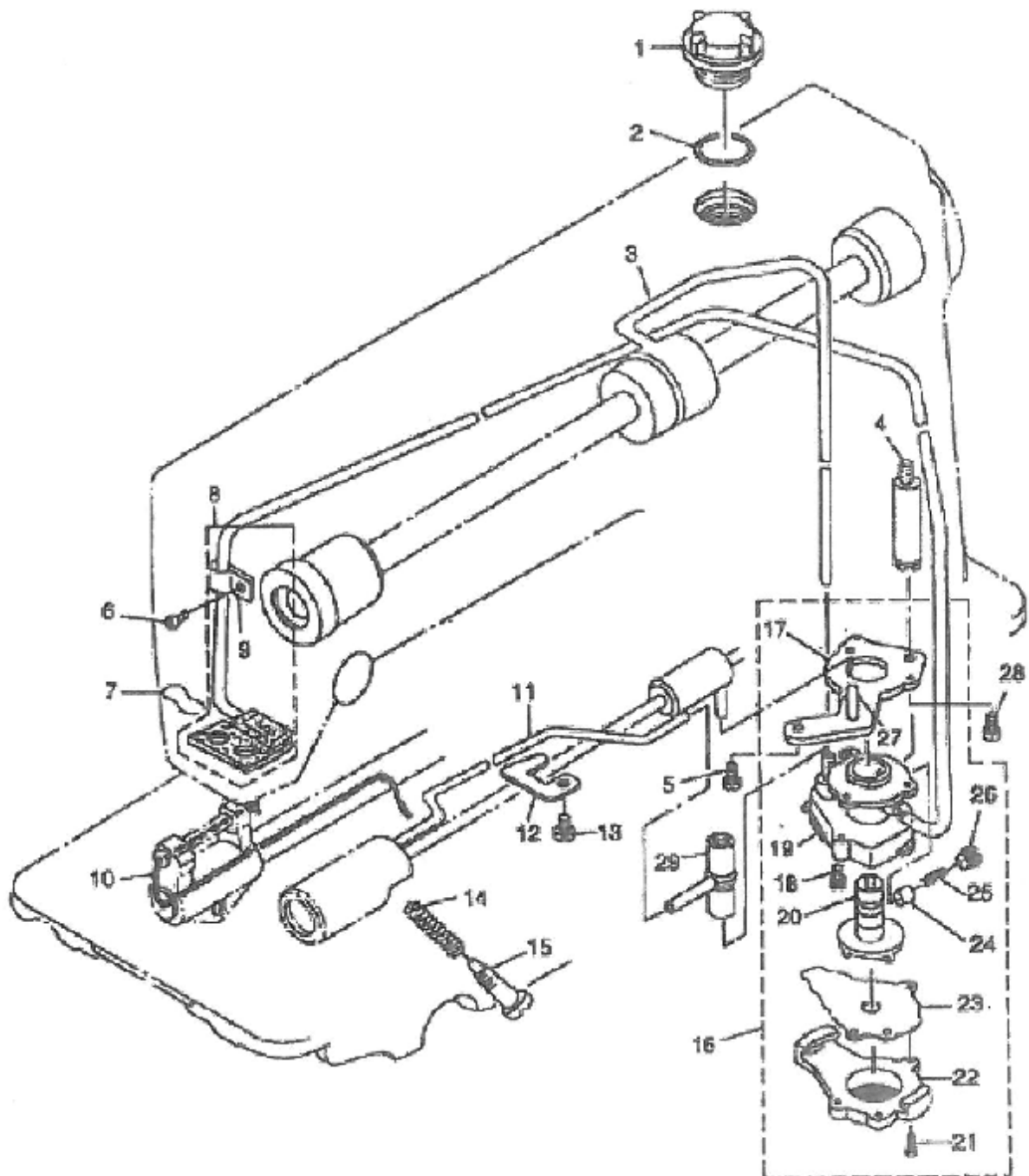
5. Feed mechanism components (2)



5. Feed mechanism components (2)

Ref. No.	Part. No.	Description	Qty	LM	H	HR
33	GR657-8	Feed spring hook	1	*	*	*
	GR816-8	Feed spring hook	1		*	*
34	GZ235-8	Feed rocker shaft	1	*	*	*
35	GX208-8	Pin	1	*	*	*
36	GS333-8	Screw 9/64"x40L=6	1	*	*	*
37	GL142-8	Nut	1	*	*	*
38	GH215-8	Feed rocker	1	*		
	GH354-8	Feed rocker	1		*	*
39	GS334-8	Screw 3/16"x28L=15.5	1	*	*	*
40	GH217-8	Lifting rocker	1	*	*	*
41	GS334-8	Screw 3/16"x28L=15.5	1	*	*	*
42	GS341-8	Screw	1	*	*	*
43	GZ236-8	Feed driving shaft	1	*	*	*
44	GR589-8	Thrust collar	1	*	*	*
45	GS167	Screw 1/4"x40L=6	2	*	*	*
46	GO273-8	Feed rocker shaft bushing	1	*	*	*
47	GS344-8	Screw 11/64"x40L=7	1	*		
	GS051	Screw 3/16"x28L=7	1		*	*
48	GS336-8	Screw 3/16"x28L=14	1	*	*	*
49	GR634	Retaining ring	1	*	*	*
50	GR807-8	Feed bar driving crank	1	*	*	*
51	GS142	Screw 3/16"x28L=14	1	*	*	*
52	GR658	Washer	1	*		
53	GH216-8	Lifting fork	1	*	*	*
54	GS340-8	Screw 11/64"x40L=10.5	1	*	*	*
55	GO273-8	Feed rocker shaft bushing	1	*	*	*
56	GR589-8	Thrust collar	1	*	*	*
57	GS167	Screw 11/64"x40L=6	2	*	*	*
58	GR424-8	Rubber ing	1	*	*	*
59	GZ237-8	Reverse feed shaft	1	*		
	GZ253-8	Reverse feed shaft	1		*	*
60	GO275-8	Bushing	1	*	*	*
61	GR656-8	Reverse feed controller	1	*	*	*
62	GS319-8	Screw 1/4"x40L=8	1	*	*	*
63	GS319-8	Screw 1/4"x40L=8	1	*	*	*
64	GZ254-8	Feed adjusting shaft	1		*	*
65	GW193-8	Reverse feed spring	1	*		
	GW205-8	Reverse feed spring	1		*	*
66	GS408-8	Screw	1		*	*
67	GR817-8	Washer	1		*	*
68	GR815-8	Washer	1		*	*
69	GS347	Screw	2	*		

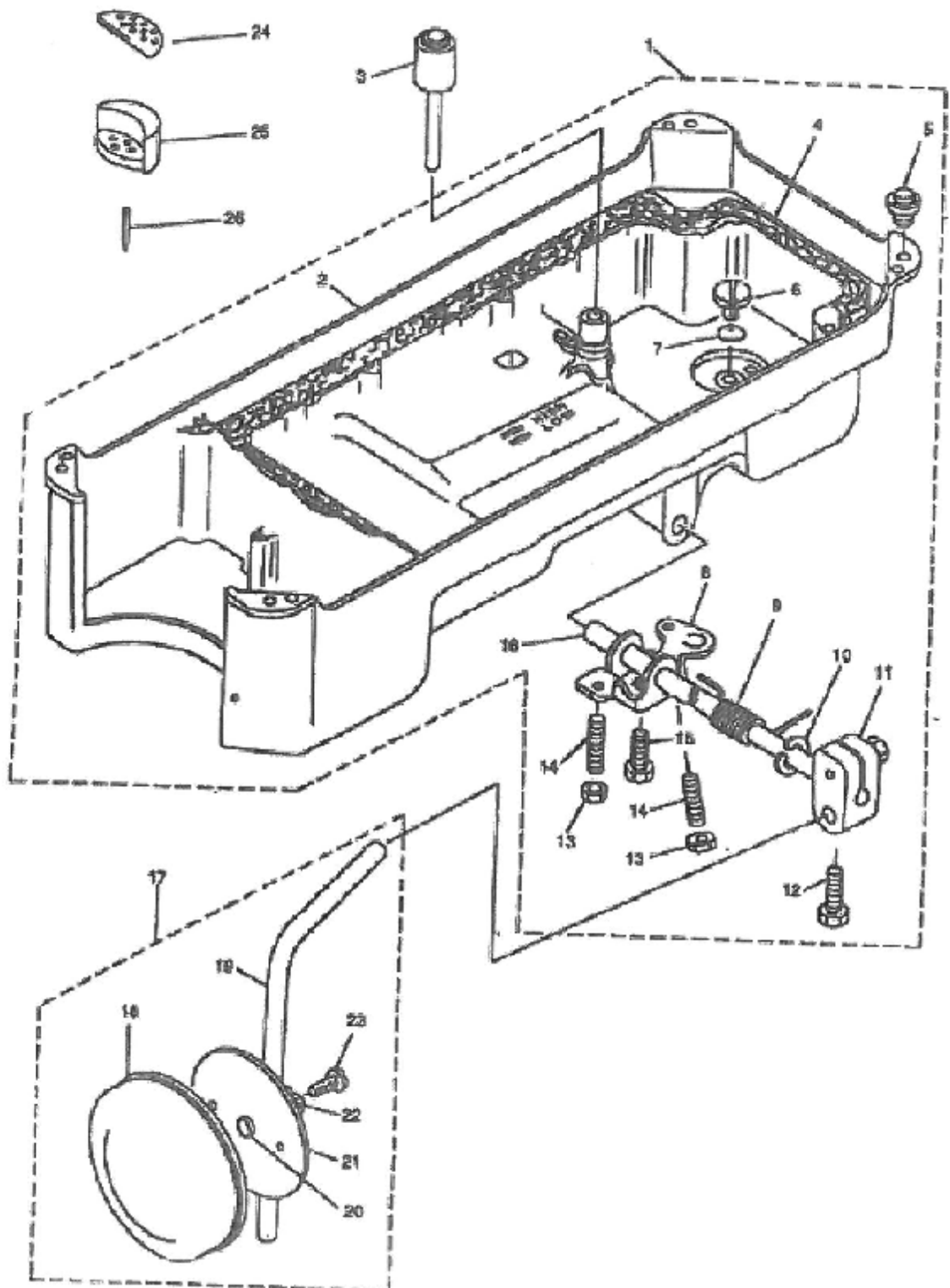
6. Oil lubrication components



6. Oil lubrication components

Ref. No.	Part. No.	Description	Qty	LM	H	HR
1	GR672-8	Oul sight window	1	*	*	*
2	GR673-8	Rubber ring	1	*	*	*
3	GR669-8	Main shaft oil tube	1	*	*	*
4	GS351-8	Oil pump support	1	*	*	*
5	GS353-8	Screw 15/64"x28L=9	1	*	*	*
6	GS310-8	Screw 3/16x28L=6	1	*	*	*
7	GR678-8	Oil felt presser	1	*	*	*
8		Oil return tube ASM	1	*	*	*
9	GR675-8	Holder	1	*	*	*
10	GR644-8	Oil wick	1	*	*	*
11	GR670-8	Oil tube	1	*	*	*
12	GR671-8	Tube holder lower	1	*	*	*
13	GS353-8	Screw 15/64"x40L=9.5	1	*	*	*
14	GW195-8	Spring	1	*	*	*
15	GS352-8	Oil adjusting screw	1	*	*	*
16	GR659/19-8	Oil pump ASM	1	*	*	*
17	GR660-8	Oil pump installing base	1	*	*	*
18	GS348-8	Screw M3x8	3	*	*	*
19	GR662-8	Oil pump	1	*	*	*
20	GR663-8	Oil pump impeller	1	*	*	*
21	GS349-8	Screw	3	*	*	*
22	GR665-8	Oil pump cover	1	*	*	*
23	GR664-8	Oil pump impeller cover	1	*	*	*
24	GR666-8	Plunger	1	*	*	*
25	GW194-8	Plunger spring	1	*	*	*
26	GS350-8	Plunger spring	1	*	*	*
27	GR667-8	Hook driving shaft oil tube	1	*	*	*
28	GS328-8	Screw 11/64"x40L=9.5	1	*	*	*
29	GR668-8	Oil tube joint	1	*	*	*

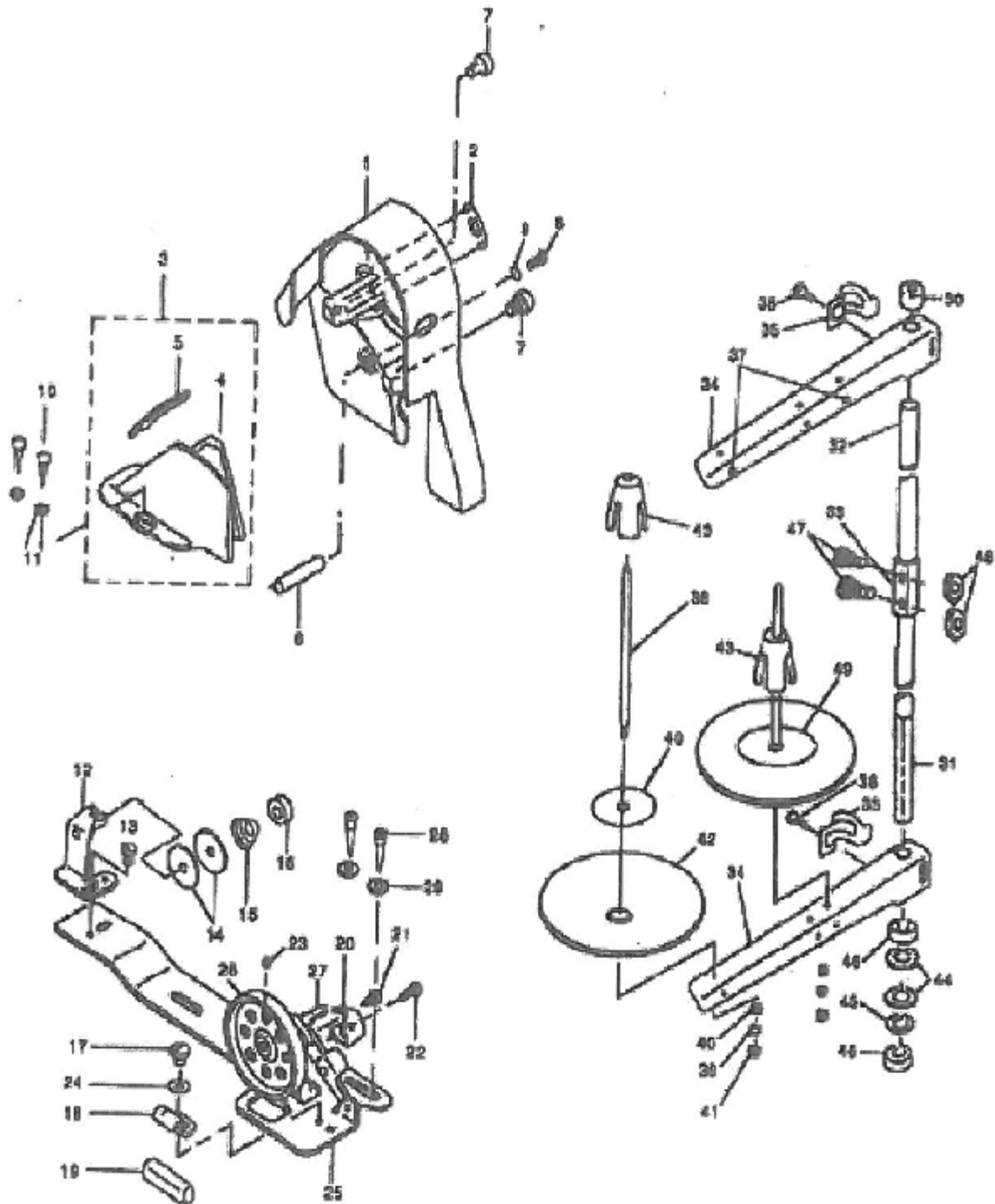
7. Oil reservoir components



7. Oil reservoir components

Ref. No.	Part. No.	Description	Qty	LM	H	HR
1	GR680/25-8	Oil reservoir ASM	1	*	*	*
2	GR681-8	Oil reservoir ASM	1	*	*	*
3	GH344-8	Top pin of lifting presser foot	1	*	*	*
4	GR682-8	Oil reservoir gasket	1	*	*	*
5	GR683-8	Head gasket	4	*	*	*
6	GS355-8	Screw	1	*	*	*
7	GR684-8	Rubber ring	1	*	*	*
8	GH345-8	Two-way crank of lifting presser foot	1	*	*	*
9	GW196-8	Twisting spring of two way crank	1	*	*	*
10	GR688-8	Snap ring	1	*	*	*
11	GR689-8	Bracket	1	*	*	*
12	GS358-8	Screw 9/32"x20L=20	1	*	*	*
13	GL170-8	Nut 15/64"x28	2	*	*	*
14	GS357-8	Screw 15/64"x28L=30	2	*	*	*
15	GS356-8	Screw	1	*	*	*
16	GZ238-8	Knee pressing shaft	1	*	*	*
17	GR690/6-8	Knee pressing plate ASM	1	*	*	*
18	GR693-8	Knee pressing plate cover	3	*	*	*
19	GR691-8	Knee pressing plate rod	1	*	*	*
20	GR694-8	Knee pressing plate rubber	1	*	*	*
21	GR692-8	Knee pressing plate	3	*	*	*
22	GR695-8	Knee pressing plate holder	1	*	*	*
23	GS359-8	Screw 15/64"x28L=15	1	*	*	*
24	GR686-8	Oil reservoir cushion	2	*	*	*
25	GR687-8	Oil reservoir seat	2	*	*	*
26	GRX141-8	Oil reservoir nail	4	*	*	*

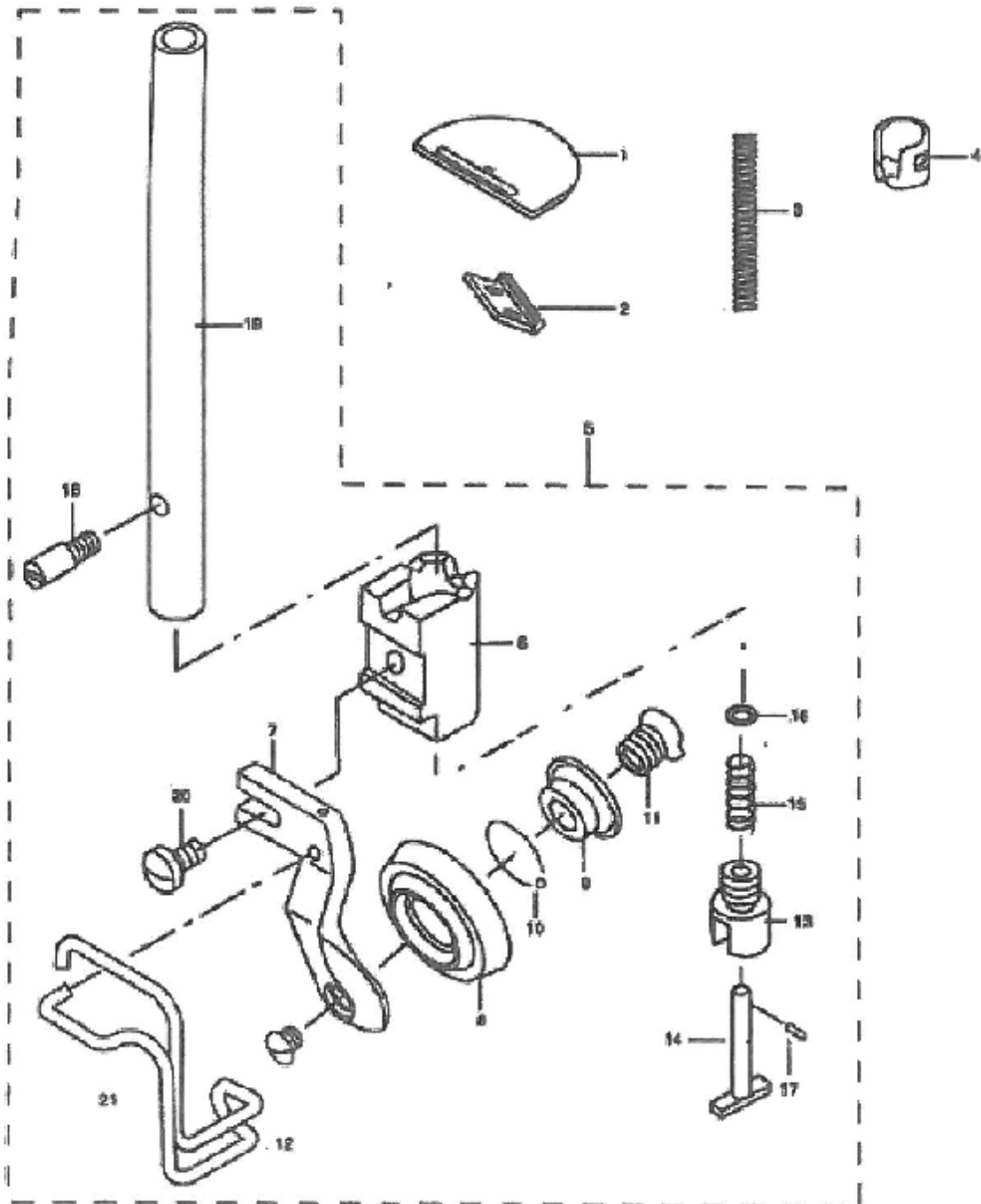
8. Belt cover, bobbin winder and thread stand components



8. Belt cover, bobbin winder and thread stand components

Ref. No.	Part. No.	Description	Qty	LM	H	HR
1	GK154-8	Belt cover	1	*	*	*
2	GR698-8	Belt cover cap	1	*	*	*
3	GK155/3-8	Rear belt cover ASM	1	*	*	*
4	GK156-8	Rear belt cover	1	*	*	*
5	GK157/2-8	Rear belt cover ASM	1	*	*	*
6	GS361-8	Belt cover supper	1	*	*	*
7	GS360-8	Screw	2	*	*	*
8	GS362-8	Screw	1	*	*	*
9	GR699-8	Washer	1	*	*	*
10	GBS204-8	Screw	1	*	*	*
11	GB4210-8	Washer	2	*	*	*
12		Tehread tension ASM	1	*	*	*
13	GS368-8	Screw 11/64"x40L=7.8	1	*	*	*
14	GH712-8	Thread tension disk	2	*	*	*
15	GW199-8	Thread tension spring	1	*	*	*
16	GL171-8	Tension nut	1	*	*	*
17	GS365-8	Screw 11/64"x40L=5	1	*	*	*
18	GR709-8	Presser plate	1	*	*	*
19	GR708-8	Rubber brake	1	*	*	*
20	GW198-8	Positioning finger	1	*	*	*
21	GS364-8	Screw 1/8"x44L=12	1	*	*	*
22	GS366-8	Screw	1	*	*	*
23	GS363-8	Screw	1	*	*	*
24	GR819-8	Washer	1	*	*	*
25		Bobbin winder ASM	1	*	*	*
26	GP148-8	Bobbin wheel	1	*	*	*
27	GZ239-8	Bobbin shaft	1	*	*	*
28	GBS204-8	Wood screw	2	*	*	*
29	GBR210-8	Washer	2	*	*	*
30	GR713-8	Spool rest rod cap	1	*	*	*
31	GZ240-8	Spool rest lower rod	1	*	*	*
32	GZ241-8	Spool rest upper rod	1	*	*	*
33	GR714-8	Spool rest joint	1	*	*	*
34	GR715-8	Thread guide ASM	2	*	*	*
35	GR716-8	Thread guide ASM joint	2	*	*	*
36	GS369-8	Screw	2	*	*	*
37	GR717-8	Thread guide ring	2	*	*	*
38	GS370-8	Spool pin	2	*	*	*
39	GR718-8	Spring washer	2	*	*	*
40	GR719-8	Washer	2	*	*	*
41	GL172-8	Nut	2	*	*	*
42	GR720-8	Spool rest	2	*	*	*
43	GR721-8	Spool retainer	2	*	*	*
44	GR722-8	Nut washer	2	*	*	*
45	GR723-8	Spring washer	1	*	*	*
46	GL173-8	Nut	2	*	*	*
47	GS401-8	Screw	2	*	*	*
48	GL134-8	Nut	2	*	*	*
49	GR750-8	Spool retainer	2	*	*	*

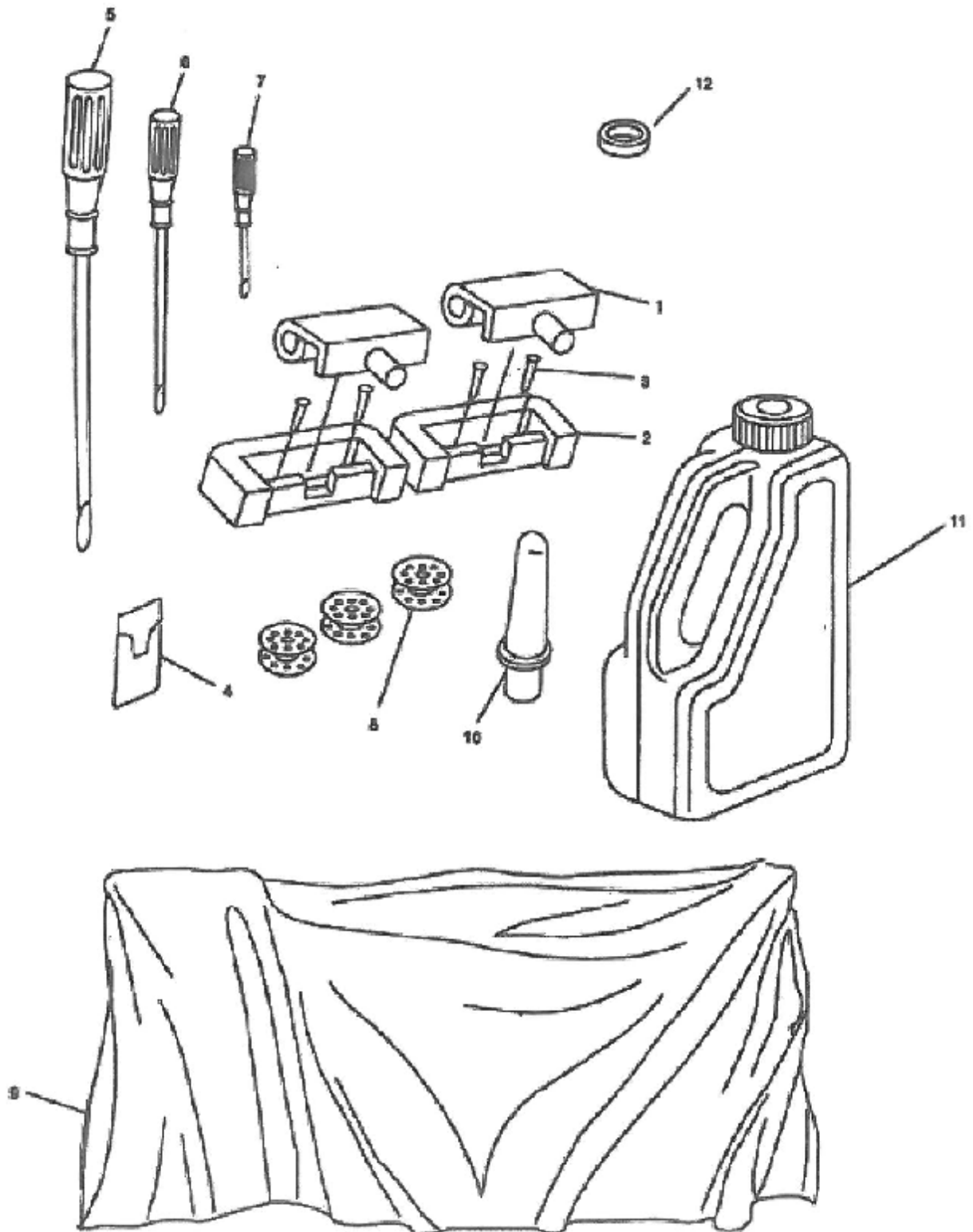
9. Special parts for model „R“ with roller presser foot



9. Special parts for model „R“ with roller presser foot

Ref. No.	Part. No.	Description	Qty	LM	H	HR
1	GM175-8	Needle plate	1	*	*	*
2	GM176-8	Feed dog	1	*	*	*
3	GW206-8	Presser spring	1	*	*	*
4	GR820-8	Needle bar thread guide	1	*	*	*
5	GR821-8	Roller presser foot ASM	1	*	*	*
6	GR822-8	Roller presser seat	1	*	*	*
7	GR823-8	Roller presser handle	1	*	*	*
8	GP155-8	Roller	1	*	*	*
9	GO292-8	Roller bushing	1	*	*	*
10	GR824-8	Steel ball	48	*	*	*
11	GS409-8	Screw	1	*	*	*
12	GS410-8	Screw	1	*	*	*
13	GR825-8	Spring seat	1	*	*	*
14	GZ256-8	Spring shaft	1	*	*	*
15	GW207-8	Spring	1	*	*	*
16	GR826-8	Spring washer	1	*	*	*
17	GX225-8	Pin	1	*	*	*
18	GS411-8	Screw	1	*	*	*
19	GZ257-8	Presser foot	1	*	*	*
20	GS412-8	Screw	1	*	*	*
21	GR827-8	Finger protector	1	*	*	*

10. Accessories



10. Accessories

Ref. No.	Part. No.	Description	Qty	LM	H	HR
1	GR696/2-8	Head connecting hook	2	*	*	*
2	GR697-8	Head connecting hook socket	2	*	*	*
3	GBX142-8	Head connecting hook nail	4	*	*	*
4	GV132-8	Needles bag	1	*	*	*
5	GR700-8	Screw drive (L)	1	*	*	*
6	GR701-8	Screw drive (M)	1	*	*	*
7	GR702-8	Screw drive (S)	1	*	*	*
8	GN139-8	Bobbin	3	*	*	*
9	GF101-8	Head cover	1	*	*	*
10	GBR211-8	Head pole	1	*	*	*
11	GR703/3-8	Oil bottle with oil	1	*	*	*
12		Oil reservoir magnet	1	*	*	*