

Spare Parts List



GF-2207-147, GF-2207-447
GF-2210-147, GF-2210-447

ANITA B s.r.o.
Průmyslová 2453/7
680 01 Boskovice
Czech Republic
tel: +420 516 454 774
+420 516 453 496
fax: +420 516 452 751
e-mail: info@anita.cz

VERSION	CREATED ON	APPROVED BY
MP03700EN_181101	01. 11. 2018	Jakub Lžičař

www.garudan.cz

All rights reserved.

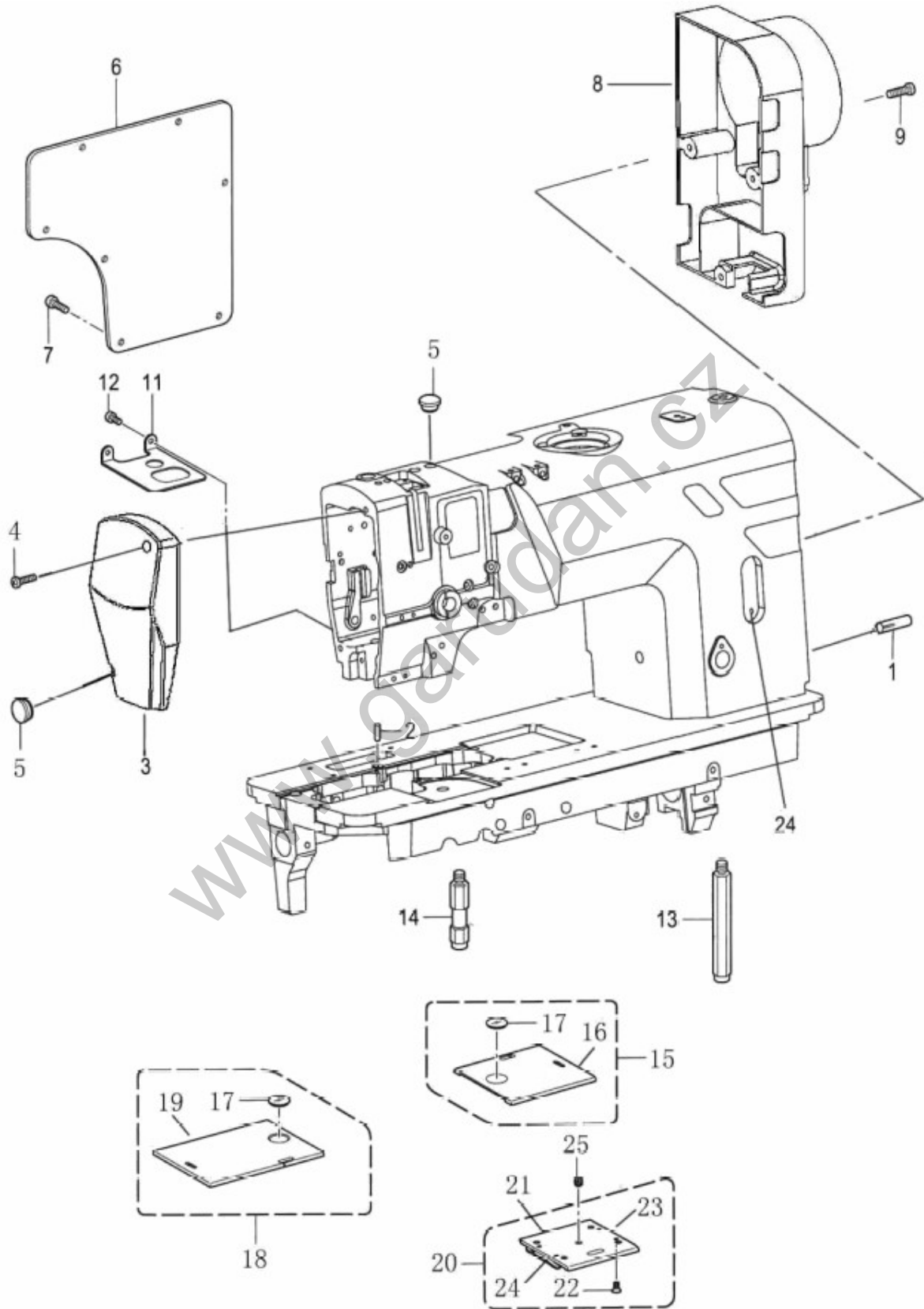
Property of Anita B s.r.o. and protected by copyright. The use of this content without written consent of Anita B s.r.o. is prohibited.

Copyright © Anita B s.r.o. (2018)

Obsah

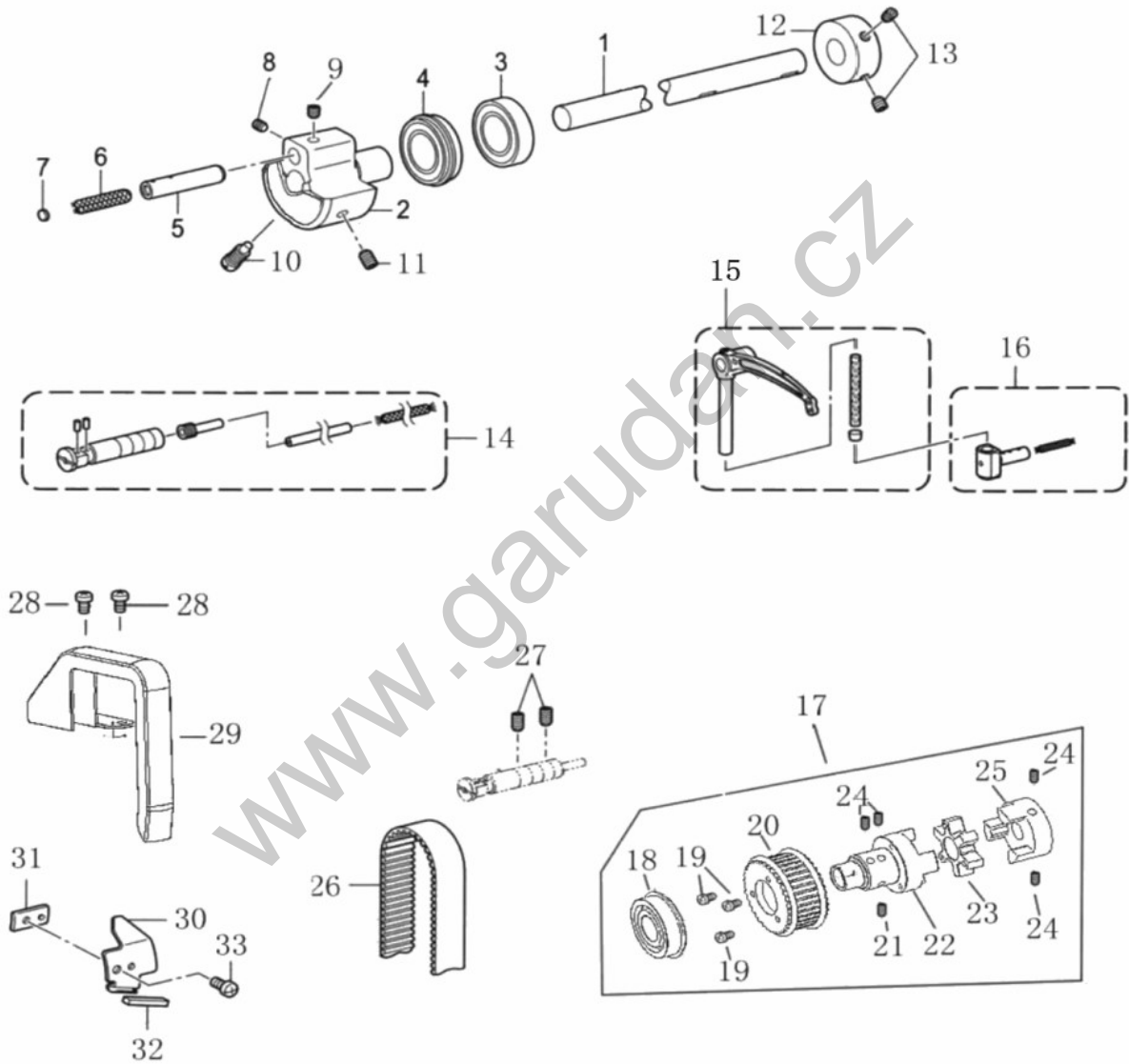
A. Machine Body	4
B. Upper Shaft Mechanism.....	6
C. Needle Bar Rocking Mechanism	8
C1. Winder Clamp Mechanism.....	10
D. Thread trimmer Mechanism (1/2)	12
D. Thread trimmer Mechanism (2/2)	14
E. Presser Foot Mechanism	16
F. Feed Mechanism (1/2)	18
F. Feed Mechanism (2/2)	20
H. Feed Shaft Mechanism	22
J. Quick Reverse Mechanism	24
K1. Rotary Hook Mechanism (1/2)	26
K1. Rotary Hook Mechanism (2/2)	28
K2. Rotary Hook Mechanism	30
M. Lubrication (1/2)	32
M. Lubrication (2/2)	34
M1. Lower Shaft Mechanism	36
N1. Thread Mechanism	38
P. Gauge parts	40
R. Thread Wiper Mechanism (Thread Trimmer)	42
S. Tension Release Mechanism	44
S1. Control Box and Motor Mechanism	46
W. Quick Reverse Switch Mechanism	48
Z1. Accessories	50
Z2. Accessories	52
Warning Labels.....	54

A. MACHINE BODY



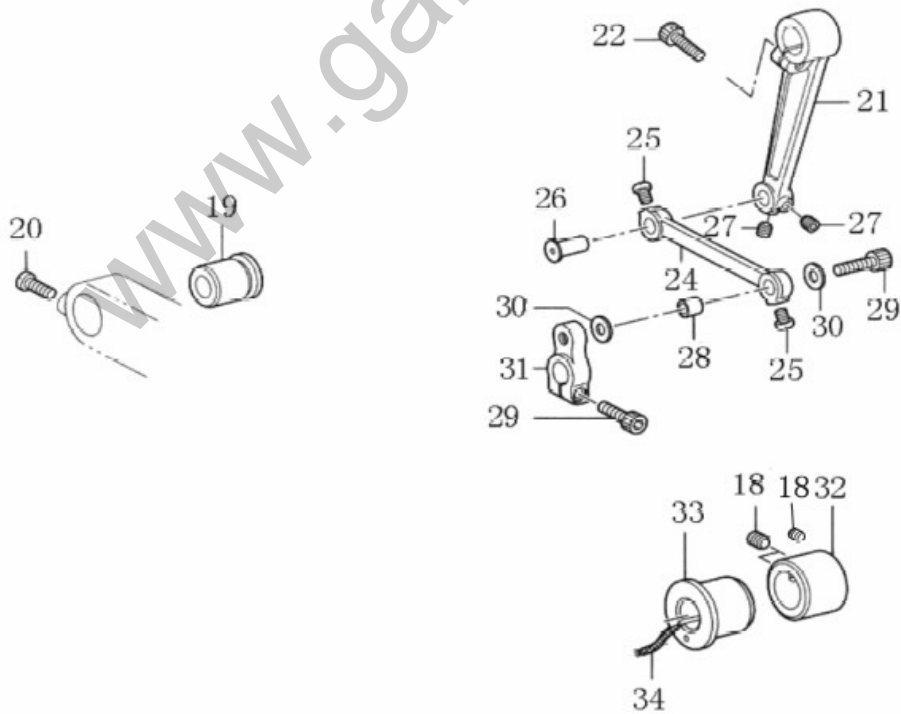
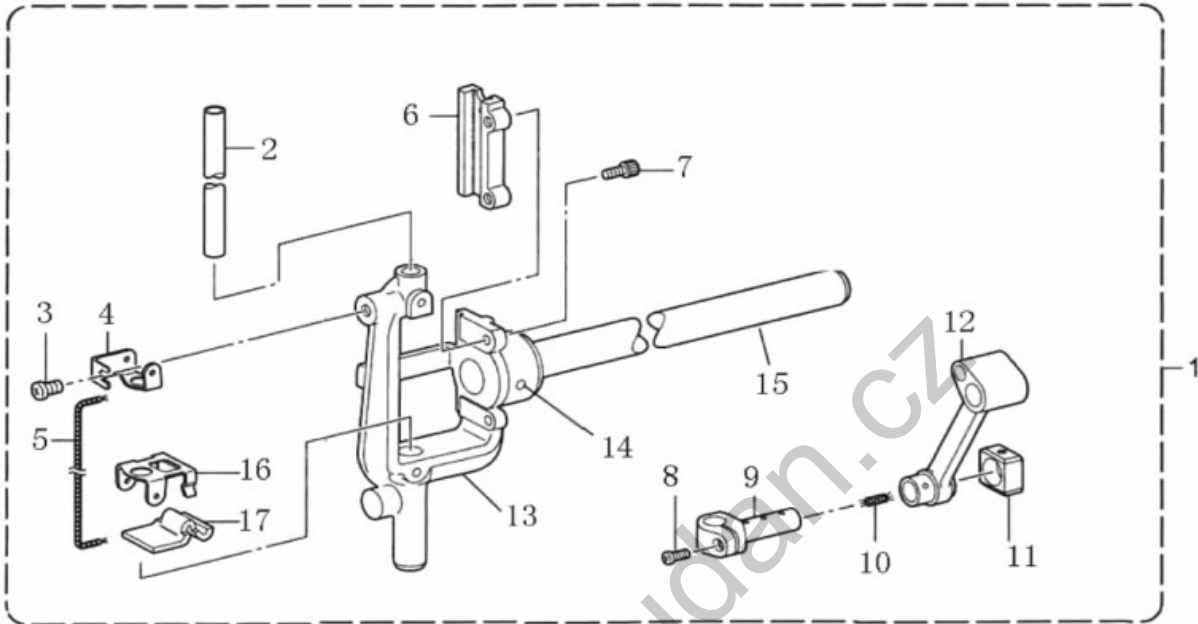
A. MACHINE BODY					
Ref. No	Parts No.	Name of parts	Description	Qty	Note
1	10022753	Pin		2	
2	10013612	Pin		1	
3	20003632	Face Plate		1	
4	10003301	Pan, M5x14		2	
5	10013586	Rubber Plug		2	
6	20008070	Rear Cover		1	
7	10003301	Screw, M5x14		7	
8	10022247	Motor Cover		1	
9	10003301	Screw, M5x14		3	
10	10013583	Plug		1	
11	10013566	Dust Protector		1	
12	10013598	Screw, Sm9/64"x40		2	
13	10022248	Bed Leg, L		1	
14	10022249	Bed Leg, S		1	
15	20006567	Slide Plate Ass'y (R)		1	
16	10022243	Slide Plate (R)		1	
17	10013560	Bobbin Window		1	
18	20006566	Slide Plate Ass'y (L), W		1	
19	10013560	Visual Window (L)		1	
20	10022242	Slide Plate (L)		1	
21	10006594	Slide Plate Ass'y (F)		1	
22	10013563	Slide Plate		1	
23	10006593	Screw, Sm1/8"x40		4	
24	10006595	Slide Plate Spring (R)		1	
25	10006572	Slide Plate Spring (L)		1	
26	10013637	Screw, Sm13/64"x32		1	
27	10013647	Screw, Sm11/64"x40		2	

B. UPPER SHAFT MECHANISM



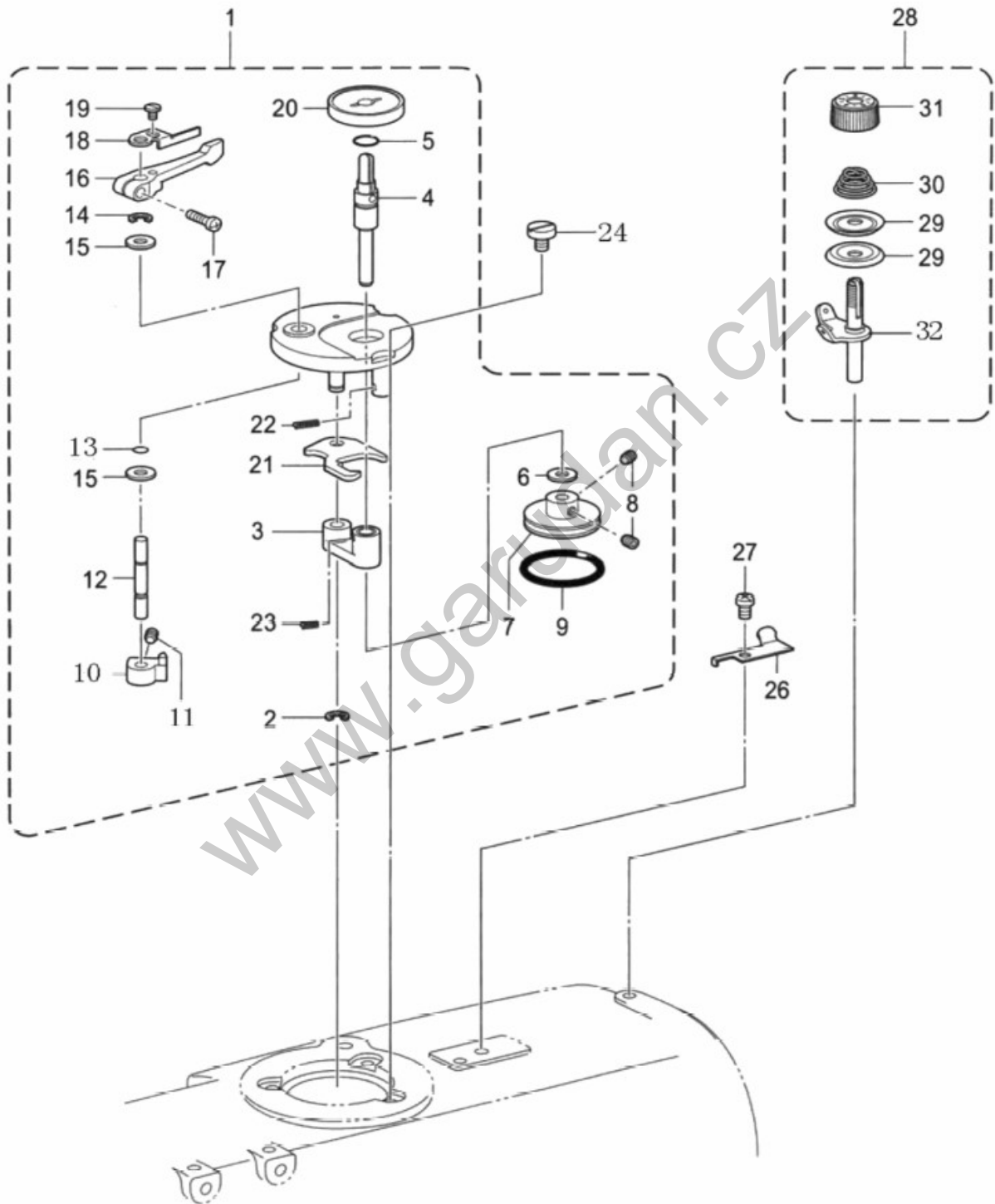
B. UPPER SHAFT MECHANISM					
Ref. No	Parts No.	Name of parts	Description	Qty	Note
1	10022458	Upper Shaft		1	
2	10022649	Thread Take-up Crank		1	
3	10003535	Bearing 6004zz		1	
4	10003542	Bearing 6004zznrc3		2	
5	10013354	Needle Bar Crank		1	
6	10008097	Wick, L=72		1	
7	10013352	Pusher		1	
8	10013438	Screw, Sm1/4"x40		1	
9	10013443	Screw, Sm9/32"x28		1	
10	10013405	Screw, Sm9/32"x28		1	
11	10013441	Screw, Sm1/4"x40		1	
12	10009172	Bobbin Winder Driving Wheel		1	
13	10011223	Screw, Sm11/64"x40		2	
14	20006575	Thread Take-up Shaft Unit		1	
15	10013397	Thread Take-up (284)		1	
15	10006513	Thread Take-up (287)		1	
16	20001251	T-Take-up Slide Block Ass'y		1	
17	20006574			1	
18	10003539	Bearing 6204zznr		1	
19	10022252	Screw, M4x10		3	
20	10022652	Timing Pulley (U) Ass'y		1	
21	10009170	Screw, M6x10		1	
22	10022651			1	
23	10011227			1	
24	10009187	Screw, M6x8		4	
25	10012615			1	
26	10026985	Timing Belt		1	
27	10013469	Screw, Sm1/4"x28		2	
28	10013601	Screw, Sm9/64"x40		2	
29	20003548	Thread Take-Up Lever Cover		1	
29	20003620	Thread Take-Up Lever Cover		1	
30	10013268	Shelter Plate		1	
31	10013256	Holder, Shelter Plate		1	
32	10013668	Felt		1	
33	10009456	Screw, M5x8		1	

C. NEEDLE BAR ROCKING MECHANISM



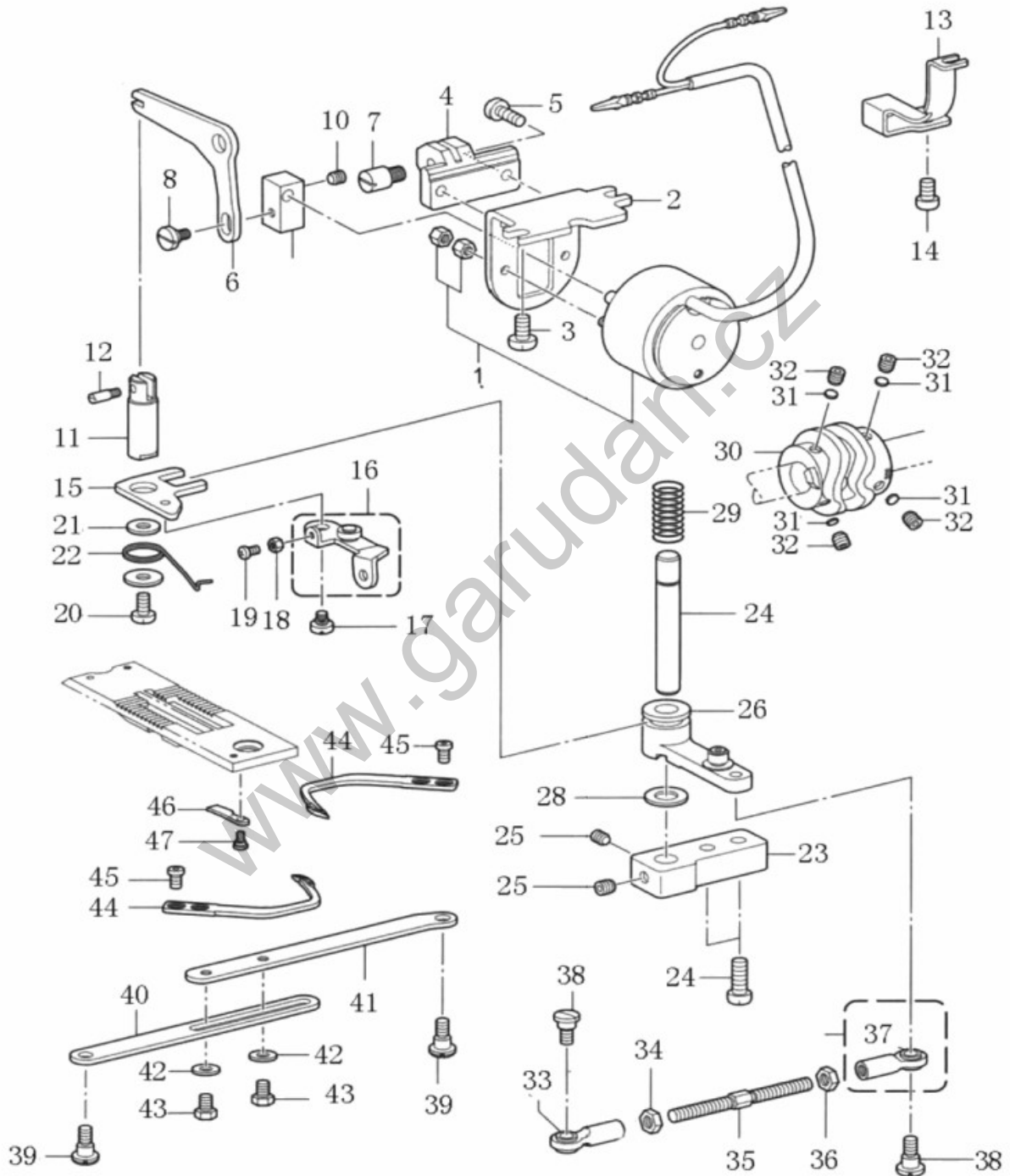
C. NEEDLE BAR ROCKING MECHANISM					
Ref. No	Parts No.	Name of parts	Description	Qty	Note
1	10022760	Needle Bar Rock Shaft Ass'y		1	
2	10022763	Needle Bar		1	
3	10003047	Screw Pan, M4x8		1	
4	10022764	Feltsupport1		1	
5	10022765	Wick, L=150		1	
6	10022659	Slide Block Slider		1	
7	10003102	Screw Pan, M4x12		2	
8	10013643	Screw Pan, Sm9/64"x40		1	
9	10022772	Needle Bar Clamp		1	
10	10008090	Wick, L=30		1	
11	10022768	Slide Block		1	
12	10022766	Needle Bar Crank Rod		1	
13	10022761	Needle Bar Base		1	
14	10002813	Pin 4x26		1	
15	10022658	Rock Shaft		1	
16	10022769	Felt Support		2	
17	20006602	Felt		1	
18	10013441	Screw, Sm1/4"x40		2	
19	10022250	Needle Bar Rock Shaft Bush (L)		1	
20	10013469	Screw, Sm1/4"x28		1	
21	10022256	Needle Bar Rocker Lever Ass'y		1	
22	10013348	Screw, Sm1/4"x20		1	
24	10022683	Rocker Link, N-Bar		1	
25	10022255	Screw Pan, M6x5		2	
26	10022257	Link Shaft, N-Bar Rocker P		2	
27	10003151	Wcrew, M6x6		1	
28	10022258	Zigzag Link Bush		1	
29	10003158	Screw, M6x25		2	
30	10022259	Set Screw Collar		2	
31	10022259	Needle Bar Rock Arm		1	
32	10013228	Ring		1	
33	10013464	Needle Bar Rock Shaft Bush (L)		1	

C1. WINDER CLAMP MECHANISM



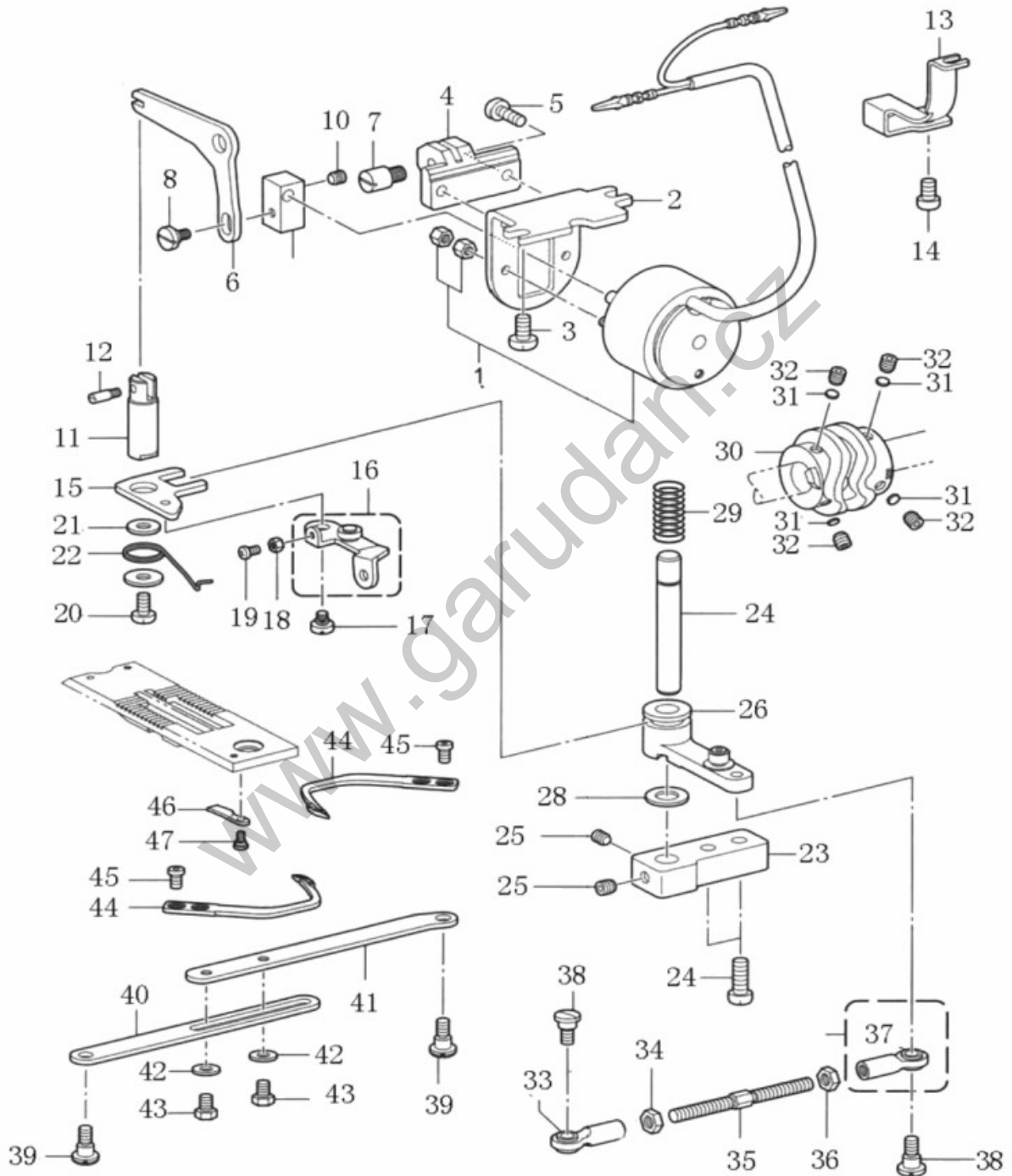
C1. WINDER CLAMP MECHANISM					
Ref. No	Parts No.	Name of parts	Description	Qty	Note
1	20002101	Bobbin Winder Unit		1	
2	10006142	Retaining Ring		1	
3	10006153	B=Winder Shaft Support Ass'y		1	
4	10004685	Bobbin Winder Shaft		1	
5	10004485	O Ring		1	
6	10006154	Washer, Plain		1	
7	10004684	Bobbin Winder Wheel		1	
8	10004684	Screw, M3x4		2	
9	10011097	Retaining Ring		1	
10	10006151	Bobbin Presser Cam		1	
11	10013590	Screw, Sm11/64"x40		1	
12	10006152	Bobbin Presser Cam		1	
13	10004500	O Ring		1	
14	10013038	Retaining Ring		1	
15	10004486	Washer, Plain		2	
16	10000736	Bobbin Winder Arm Shaft		1	
17	10000735	Screw, SM9/64"x40		2	
18	10005682	Bobbin Presser		1	
19	10000759	Screw, SM9/64"x40		1	
20	10004498	Bobbin Support		1	
21	10004497	Bobbin Winder Lever		1	
22	10004501	Spring		1	
23	10004494	Spring		1	
24	10013832	Screw, SM11/64"x40		3	
26	10009130	Knife		1	
27	10002937	Screw, M4x5.50		1	
28	10013363	Bobbin Winder Tension Ass'y		1	
29	10004393	Disc, Tension		1	
30	10004391	Spring		2	
31	10004390	Tension Nut		1	
32	10006437	Bobbin Winder Tension Ass'y		1	

D. THREAD TRIMMER MECHANISM (1/2)



D. THREAD TRIMMER MECHANISM (1/2)					
Ref. No	Parts No.	Name of parts	Description	Qty	Note
1	10013729	Thread Trimmer Solenoid		1	
2	10013674	Thread Tri. Sol. Bracket		1	
3	10013663	Screw, Sm1/4"x28		2	
4	10013705	Solenoid Lever Bracket		1	
5	10013675	Screw, Sm3/16"x32		1	
6	10013673	Solenoid Lever		1	
7	10013670	Solenoid Lever Shaft		1	
8	10013658	Screw, Sm11/64"x40		1	
9	10013669	Thread Trimming Solenoid Joint		1	
10	10013590	Screw, Sm11/64"x40		1	
11	10006664	Thread Trimming Driving Rod		1	
12	10006670	Plunger Pin		1	
13	10022730	Cord Holder		1	
14	10013657	Screw, Sm1/4"x40		1	
15	10006651	Thr. Trim. Driving Rod Plate		1	
16	10006648	Knife Main Lever Shaft		1	
17	10006674	Screw, Sm11/64"x40		1	
18	10013516	Nut Sm1/8"x40		1	
19	10013519	Screw, Sm1/8"x40		1	
20	10013260	Screw, Sm3/16"x32		1	
21	10013626	Washer		1	
22	10013627	Spring, Tension Release Lever		1	
23	10022324	Main Lever Support Shaft		1	
24	10013657	Screw, Sm1/4"x40		2	
25	10003144	Screw, M6x8		2	
26	10013671	Main Lever Ass'y, Knife		1	
27	10013661	Main Lever Shaft		1	
28	10013573	Washer		1	
29	10013623	Spring		1	
30	10009408	Thread Trimmer Cam		1	
31	10009410	Spacer		4	
32	10012162	Screw, M5x5		4	
33	10006650	Bush		1	
34	10006672	Nut Sm15/64"x28		1	
35	10006653	L-Adjusting Connecting Rod		1	
36	10006654	Nut Sm15/64"x28		1	
37	10006646	Bush		1	
38	10013619	Screw, Sm15/64"x28		2	
39	10013658	Screw, Sm11/64"x40		2	

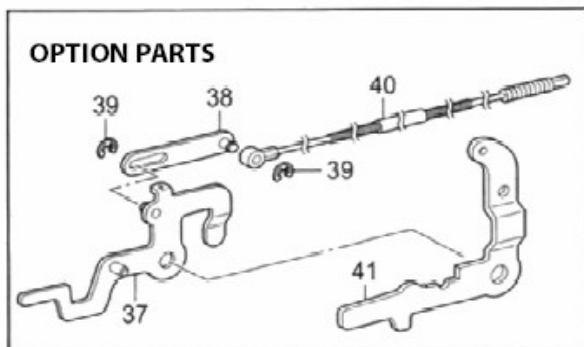
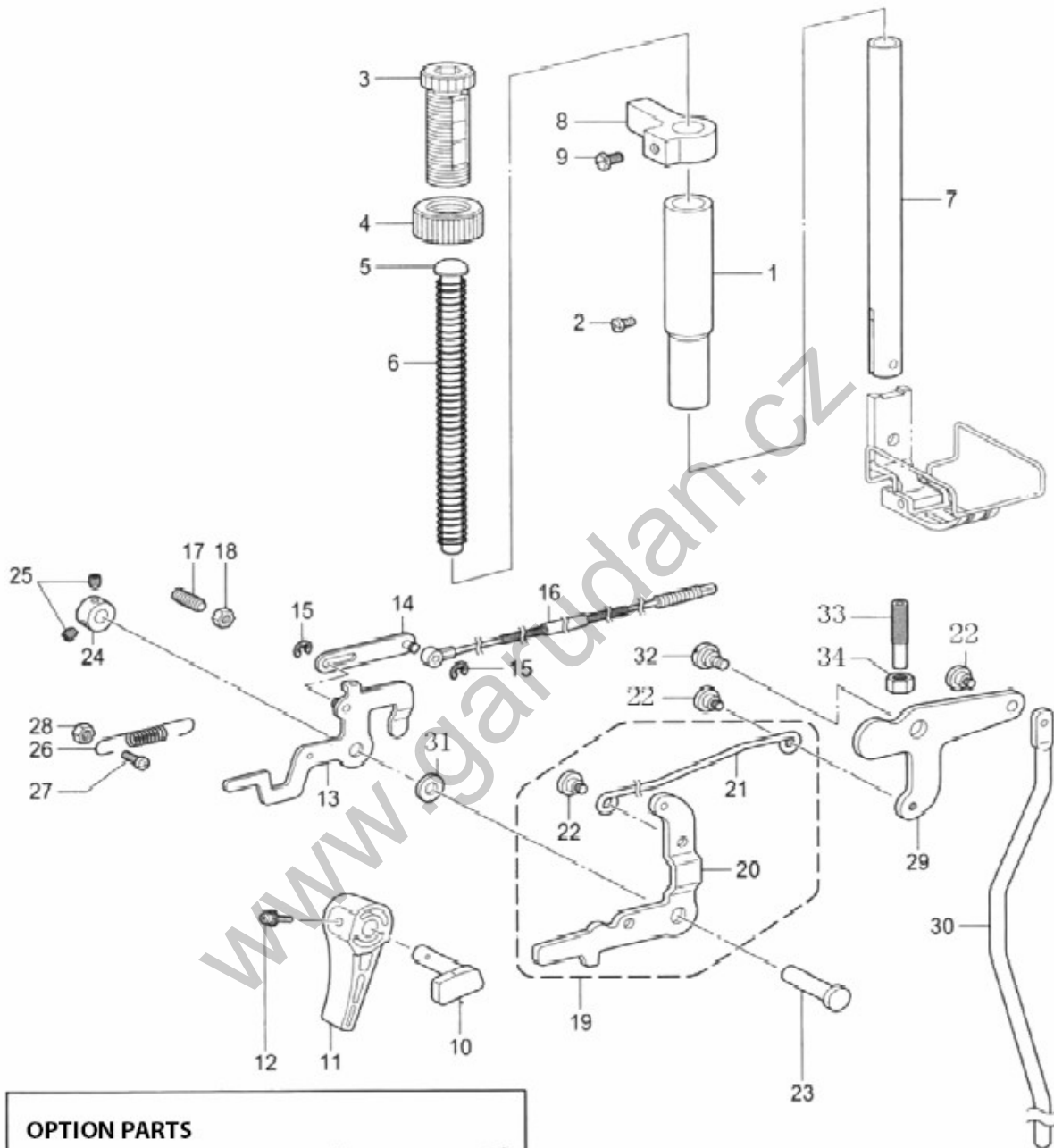
D. THREAD TRIMMER MECHANISM (2/2)



D. THREAD TRIMMER MECHANISM (2/2)					
Ref. No	Parts No.	Name of parts	Description	Qty	Note
40	10006652	T-Trimmer Connecting Rod		1	
41	10022731	T-Trimmer Connecting Rod		1	
42	10006649	Washer		2	
43	10006685	Screw, Sm3/16"x32		2	
44	10013704	Movable Knife		2	
45	10013698	Screw, Sm11/64"x40		2	
46	10013528	Fixed Knife		2	
47	10013523	Screw, Sm3/32"x56		2	

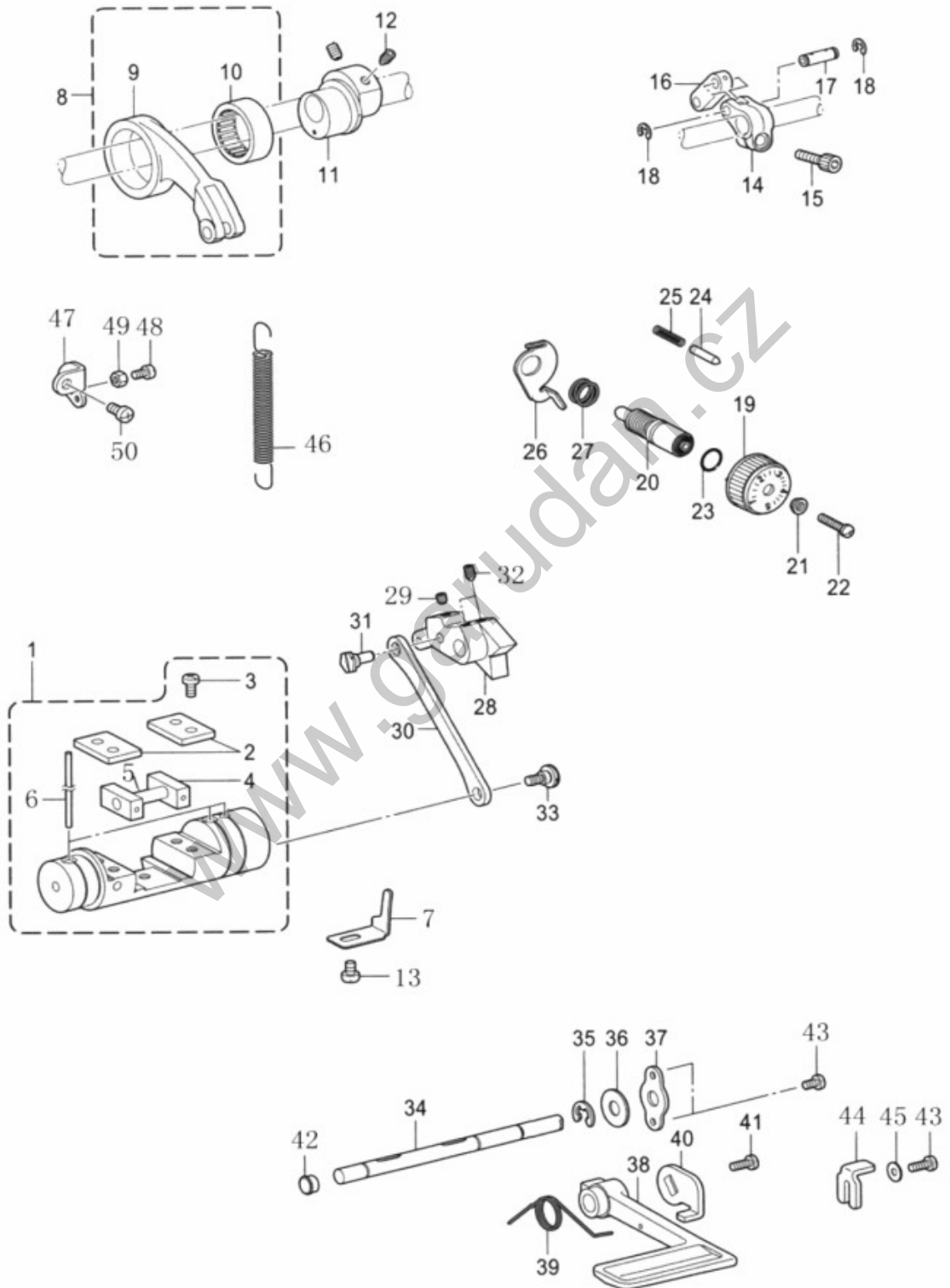
www.garudan.cz

E. PRESSER FOOT MECHANISM



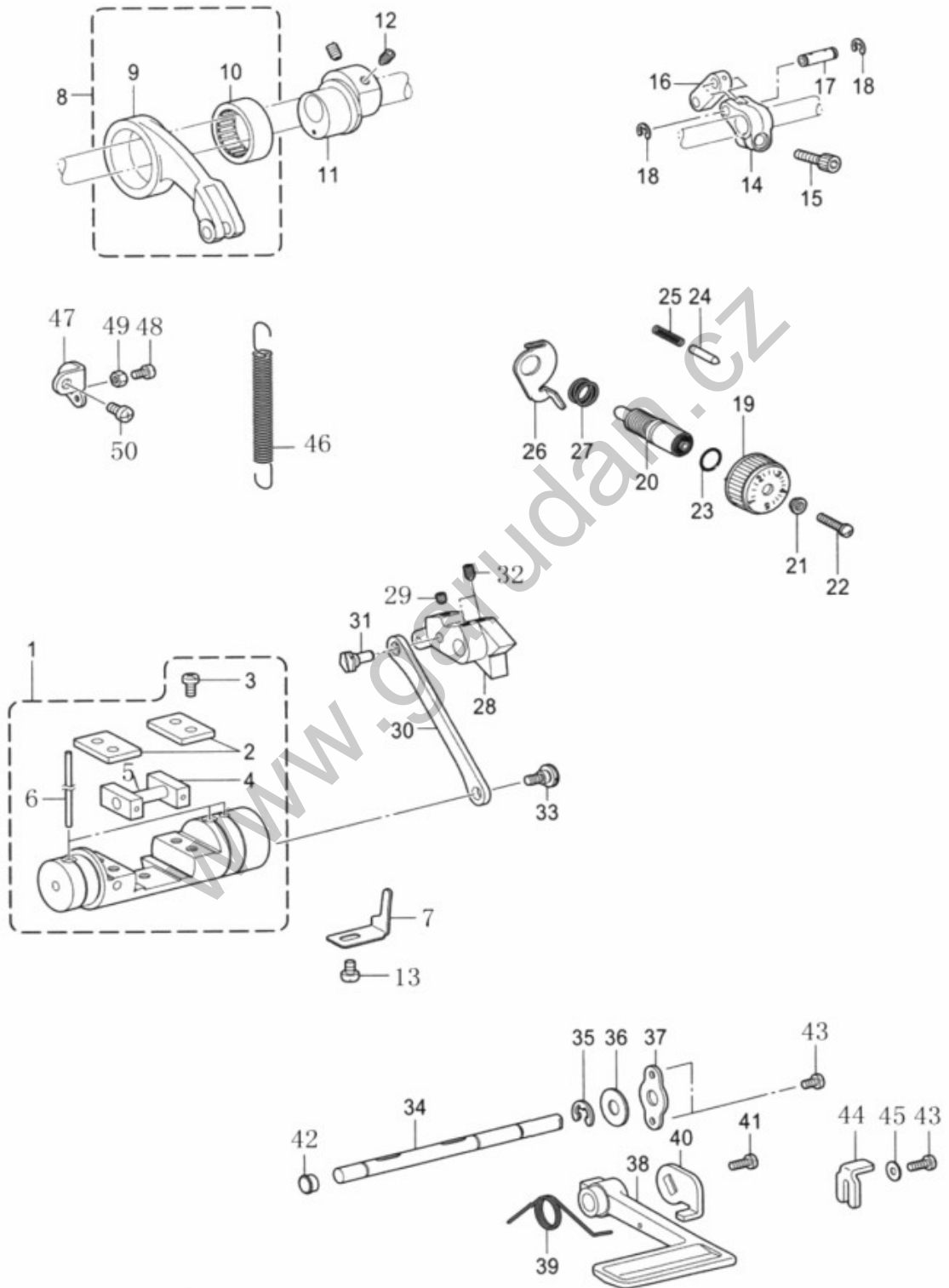
E. PRESSER FOOT MECHANISM					
Ref. No	Parts No.	Name of parts	Description	Qty	Note
1	10022465	Presser Bar Bush		1	
2	10013598	Screw, Sm9/64"x40		1	
3	10013237	Presser Adjust Screw		1	
4	10013240	Presser Adjust Nut		1	
5	10012155	Spring Guide		1	
6	10013251	Presser Spring, -5		1	
7	10022466	Presser Bar		1	
8	10013584	Presser Bar Guide Bracket		1	
9	10013591	Screw, Sm15/64"x28		1	
10	10013213	Presser Bar Lifter Stud		1	
11	10013229	Presser Bar Lifter		1	
12	10012154	Screw, Sm9/64"x40		1	
13	10013578	Tension Release Plate Ass'y		1	
14	10006602	T-Release Connecting Rod Ass'y		1	
15	10009669	Retaining Ring		2	
16	10006582	Tension Release Wire		1	
17	10013223	Screw, Sm9/64"x40		1	
18	10013246	Nut, Sm9/64"x40		1	
19	20008036	Presser Bar Lifer Lever Ass'y		1	
20	10013587	Presser Bar Lifer Lever		1	
21	10022467	Knee Lifter Connecting Rod		1	
22	10013217	Screw, Sm3/16"x40		1	
23	10013219	P-Bar Lifting Lever Shaft		1	
24	10013594	Retaining Ring		1	
25	10013590	Screw, Sm11/64"x40		2	
26	10013224	Spring		1	
27	10013223	Screw, Sm9/64"x40		1	
28	10013246	Nut, Sm9/64"x40		1	
29	10022705	Knee Lifter Lever		1	
30	10022706	Knee Lifter Connecting Rod		1	
31	10013220	Washer, Plain		1	
32	10013217	Screw, Sm3/16"x40		1	
33	10022294	Screw		1	
34	10003078	Nut		1	

F. FEED MECHANISM (1/2)



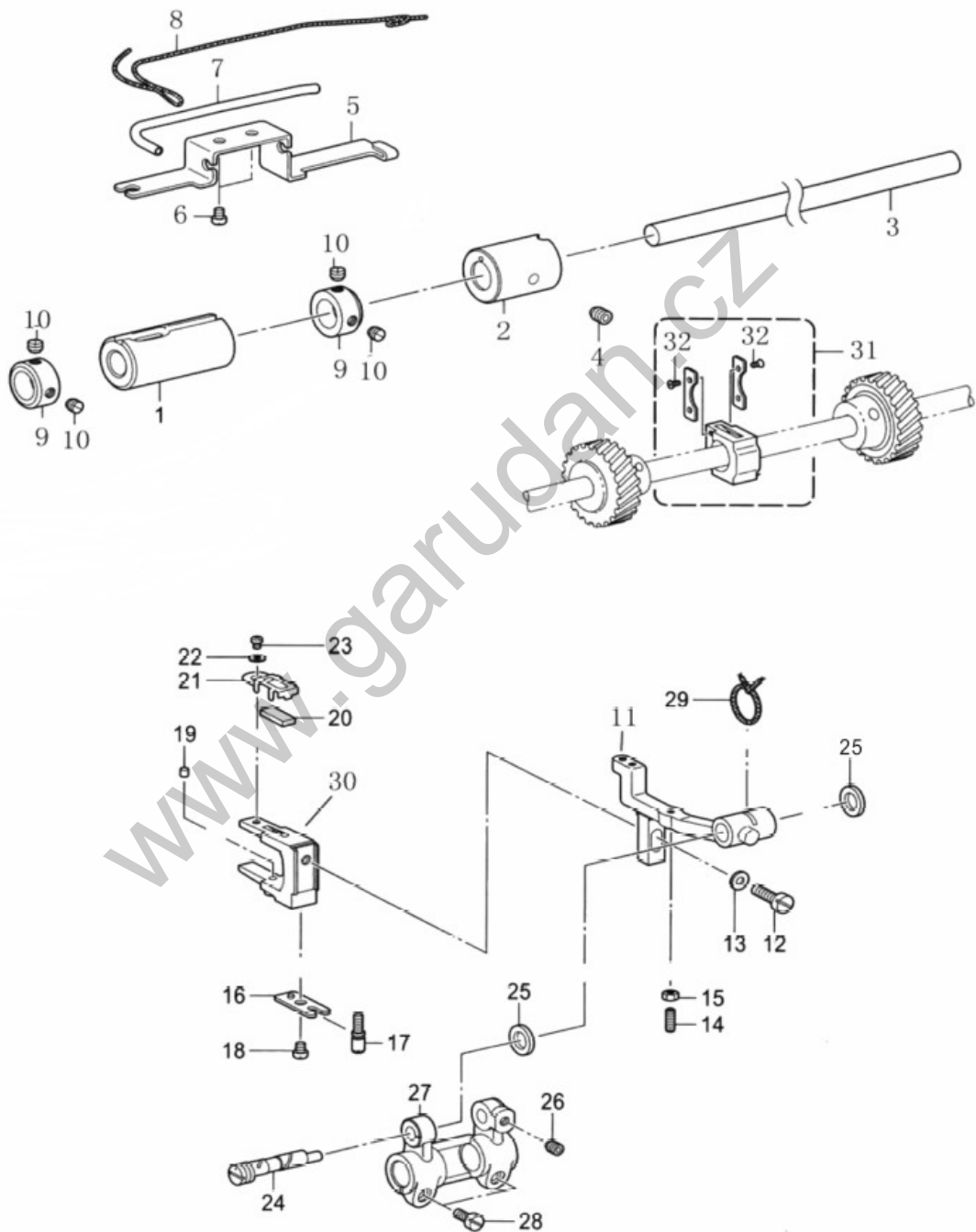
F FEED MECHANISM (1/2)					
Ref. No	Parts No.	Name of parts	Description	Qty	Note
1	10022284	Feed Regulator (L) Ass'y		1	
1	10022328	Feed Regulator (L) Ass'y		1	
2	10022695	Slide Block Guide Plate		2	
3	10003042	Screw, Pan M5x10		4	
4	10006500	Feed Regulator Slide Block A.		1	
5	10006498	Slide Block Shaft		1	
6	10008097	Felt		1	
7	10013476	Feed Regulator Stopper		1	
8	20001071	Feed Rock Connecting Rod Ass'y		1	
9	10013507	Feed Rock Connecting Rod		1	
10	10013554	Bearing		1	
11	10013551	Level Eccentric Wheel With Screw		1	
12	10013465	Screw, Sm1/4"x40		2	
13	10013499	Screw, Sm3/16"x32		1	
13	10013579	Feed Rock Arm		1	
14	10013493	Feed Rock Arm (203)		1	
15	10013403	Screw, Sm1/4"x28		1	
16	10013552	Feed Rock Arm Link		1	
17	10013581	Feed Rock Ring, Shaft		1	
18	10013582	Retaining Ring, E6		2	
19	10013367	Stitch Length Dial		1	
20	10009085	Stitch Control Screw		1	
21	10009085	Length Control Plate Support		1	
22	10012150	Screw, Sm3/16"x28		1	
23	10014409	O Ring		1	
24	10012151	Positioning Pin		1	
25	10012153	Spring		1	
26	10022703	Reverse Lever Stopper		1	
27	10022464	Spring		1	
28	10022696	Feed Regulator		1	
29	10003151	Screw, M6x6		1	
30	10013547	Feed Regulator Connecting Rod		1	
31	10013553	Eccentric Shaft		1	
32	10012828	Screw, M6x5		2	
33	10022285	Screw		1	
34	10022285	Stitch Lever Shaft		1	
35	10013248	Retaining Ring		1	
36	10013508	Washer, Plain		1	

F. FEED MECHANISM (2/2)



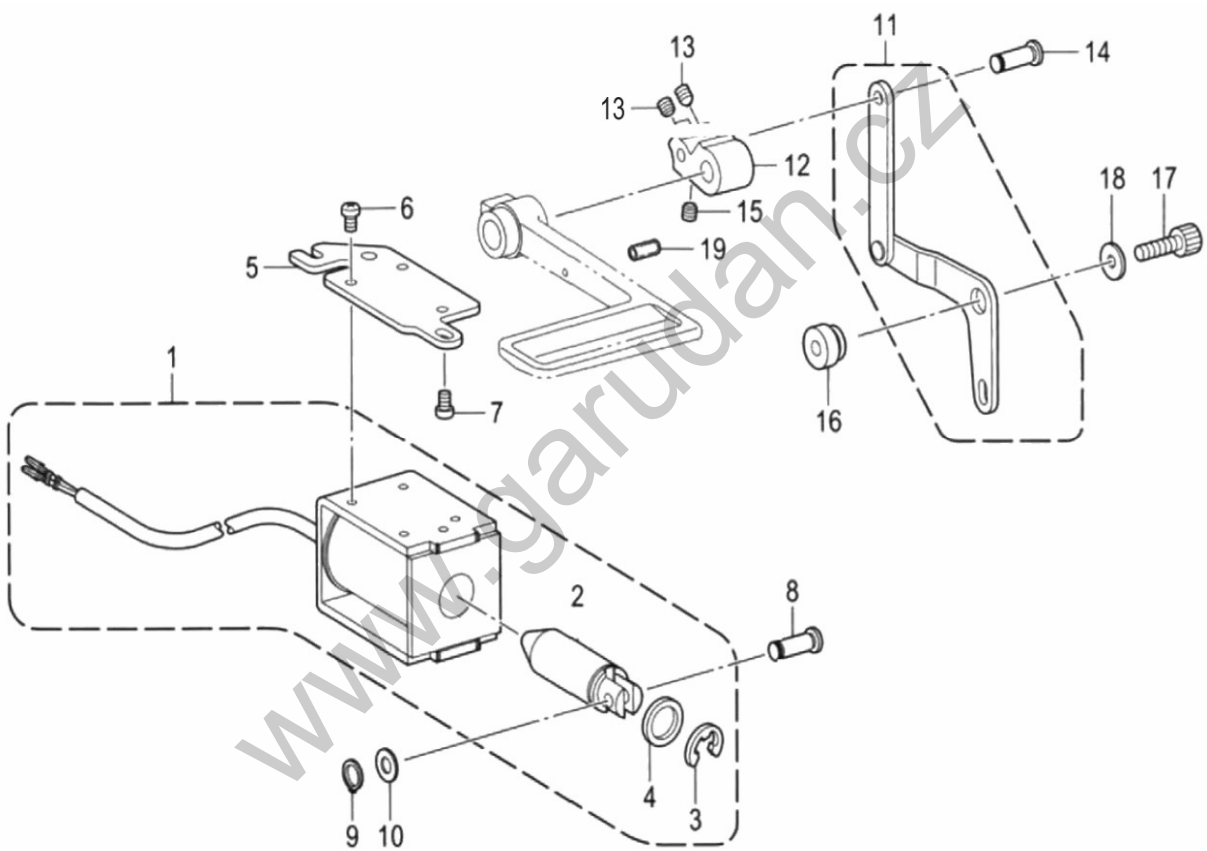
F FEED MECHANISM (2/2)					
Ref. No	Parts No.	Name of parts	Description	Qty	Note
37	10022708	Spacer		1	
38	10013417	Reverse Lever Stopper		1	
39	10013501	Spring		1	
40	10022709	Spring, Feed Regulator		1	
41	10013577	Screw, Sm3/16"x32		1	
42	10013586	Rubber Cap		1	
43	10003042	Screw, M5x10		3	
44	10022707	Stopper		1	
45	10003073	Washer		1	
46	10022779	Spring		1	
47	10022302	Spring Pothook		1	
48	10003041	Screw, M5x12		1	
49	10003074	Nut		1	
50	10013663	Screw, Sm1/4"X28		1	

H. FEED SHAFT MECHANISM



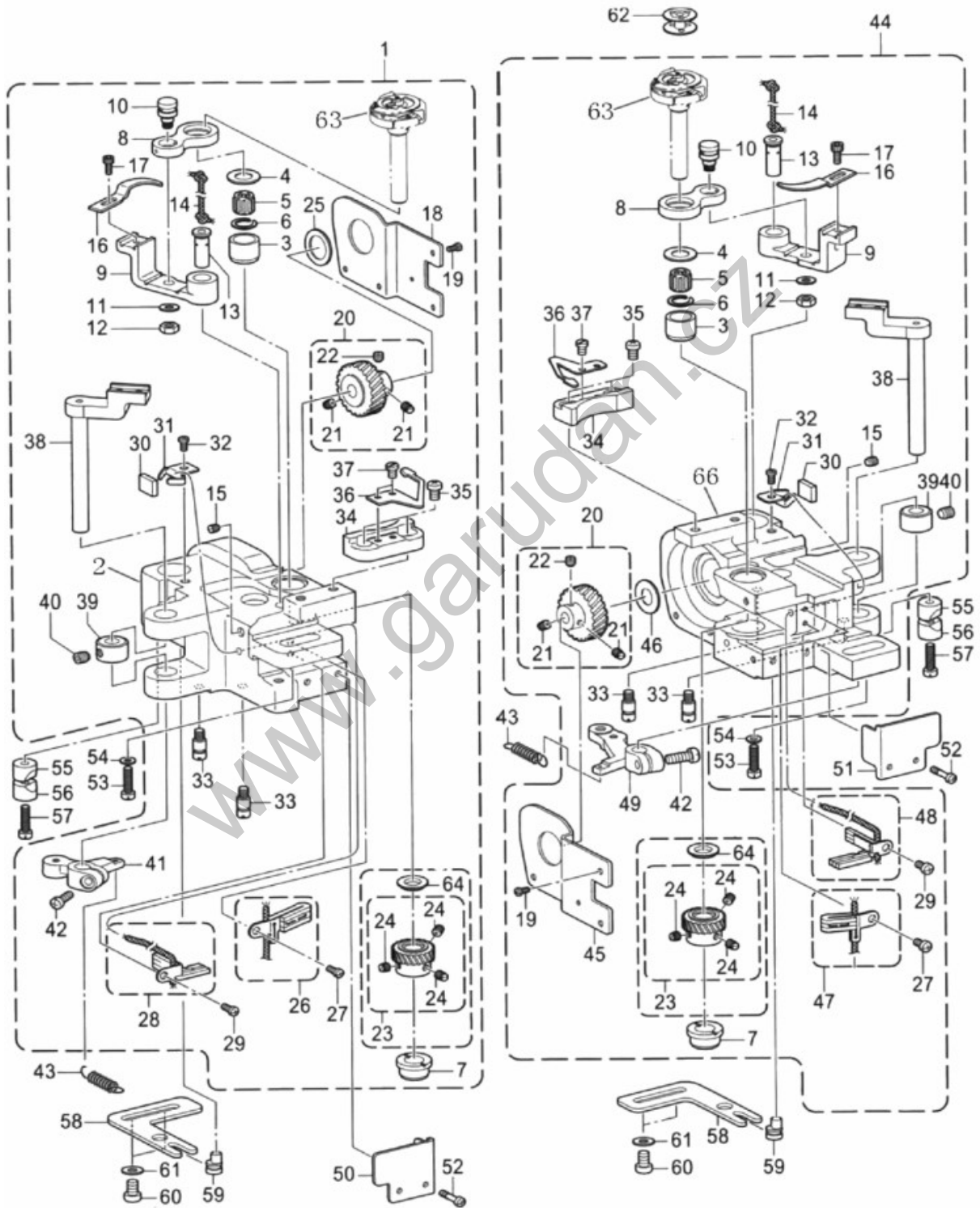
H FEED SHAFT MECHANISM					
Ref. No	Parts No.	Name of parts	Description	Qty	Note
1	10022291	Feed Shaft Bush (L)			
2	10022292	Feed Shaft Bush (R)			
3	10022293	Feed Rock Shaft			
4	10013469	Screw, Sm1/4"x28			
5	10022317	Wick Support			
6	10013598	Screw, Sm9/64"x40			
7	10007800	Oil Tube			
8	10008091	Wick			
9	10013517	Set Screw Collar			
10	10013441	Screw, Sm1/4"x40			
11	10022462	Feed Bar			
12	10013513	Screw, Sm15/64"x28			
13	10013509	Thrust Ring			
14	10013519	Screw, Sm1/8"x40			
15	10013516	Nut, Sm1/8"x40			
16	10022698	Forked Plate			
17	10022699	Adjusting Screw, High			
18	10002940	Screw, M3x6			
19	10022286	Felt			
20	10022287	Felt			
21	10022288	Felt Holder			
22	10002998	Shaft			
23	10003063	Screw, M3x4			
24	10022289	Shaft			
25	10022290	Ring			
26	10003151	Screw, M6x6			
27	10022463	Feed Rock Base Arm			
28	10013541	Screw, Sm11/64"x40			
29	10008091	Wick			
30	10022697	Feed Bar Fork			
31	10022700	Feed Bar Slide Block Ass'y			
32	10010595	Screw, M2x4			

J. QUICK REVERSE MECHANISM



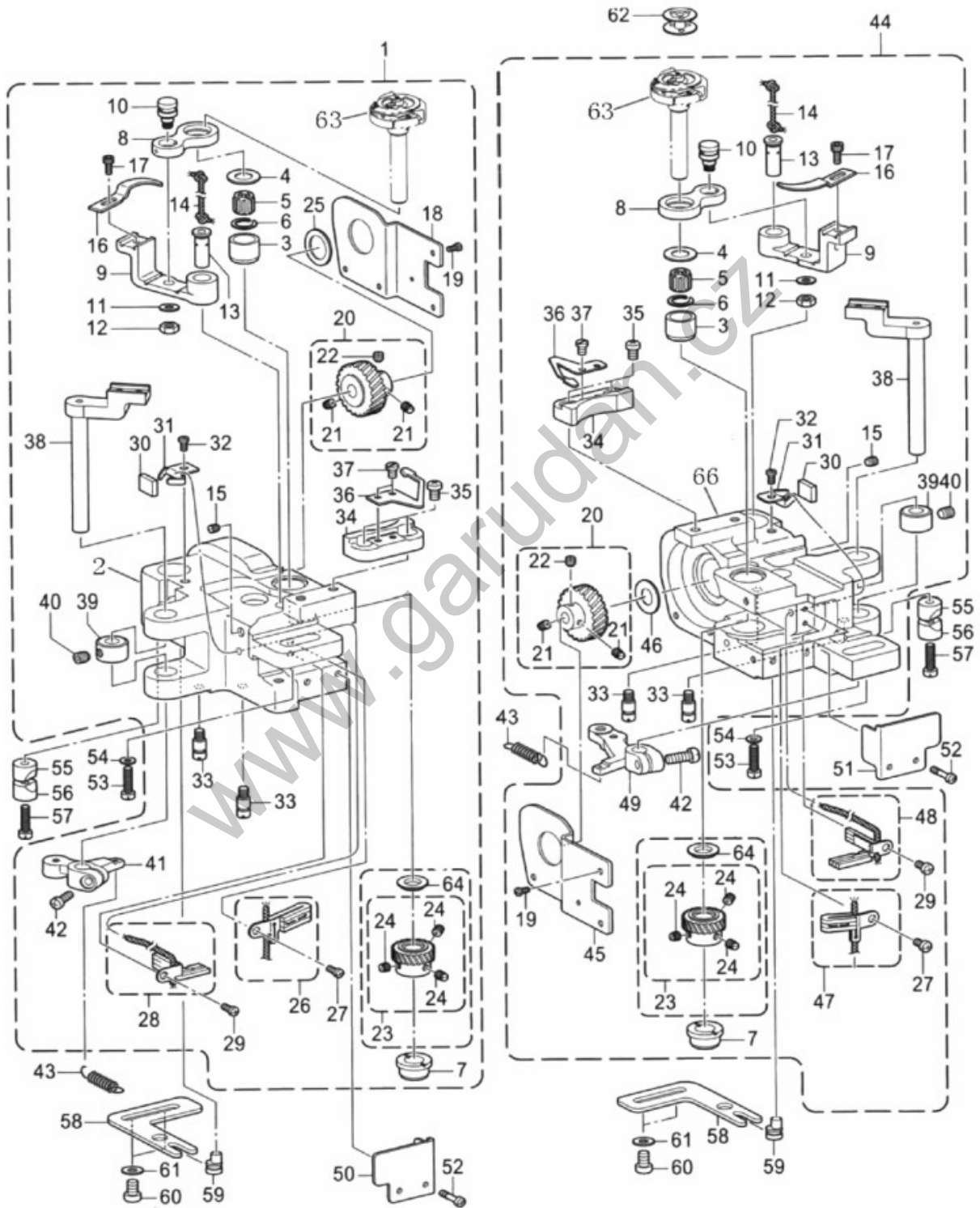
J. QUICK REVERSE MECHANISM					
Ref. No	Parts No.	Name of parts	Description	Qty	Note
1	10022323	Quick Reverse Solenoid Ass'y		1	
2	10003492	Quick Reverse Solenoid Ass'y		1	
3	10006334	Rubber Stopper		1	
4	10006332	Retaining Ring		1	
5	10022728	Solenoid Bracket		1	
6	10009456	Screw, M5x8		1	
7	10013576	Screw, Sm1/4"x28		1	
8	20006595	Pin		1	
9	10022742	Retaining Ring		1	
10	20006596	Retaining Ring		1	
11	10025481	Solenoid Lever Ass'y		1	
12	10022325	Quick Reverse Lever		1	
13	10012828	Screw, M6x5		2	
14	10022738	Pin		1	
15	10003151	Screw, M6x6		1	
16	10022326	Solenoid Lever Shaft		1	
17	10013403	Screw, Sm1/4"x28		1	
18	10022739	Retaining Ring		1	
19	10013621	Nylon Tube		1	

K1. ROTARY HOOK MECHANISM (1/2)



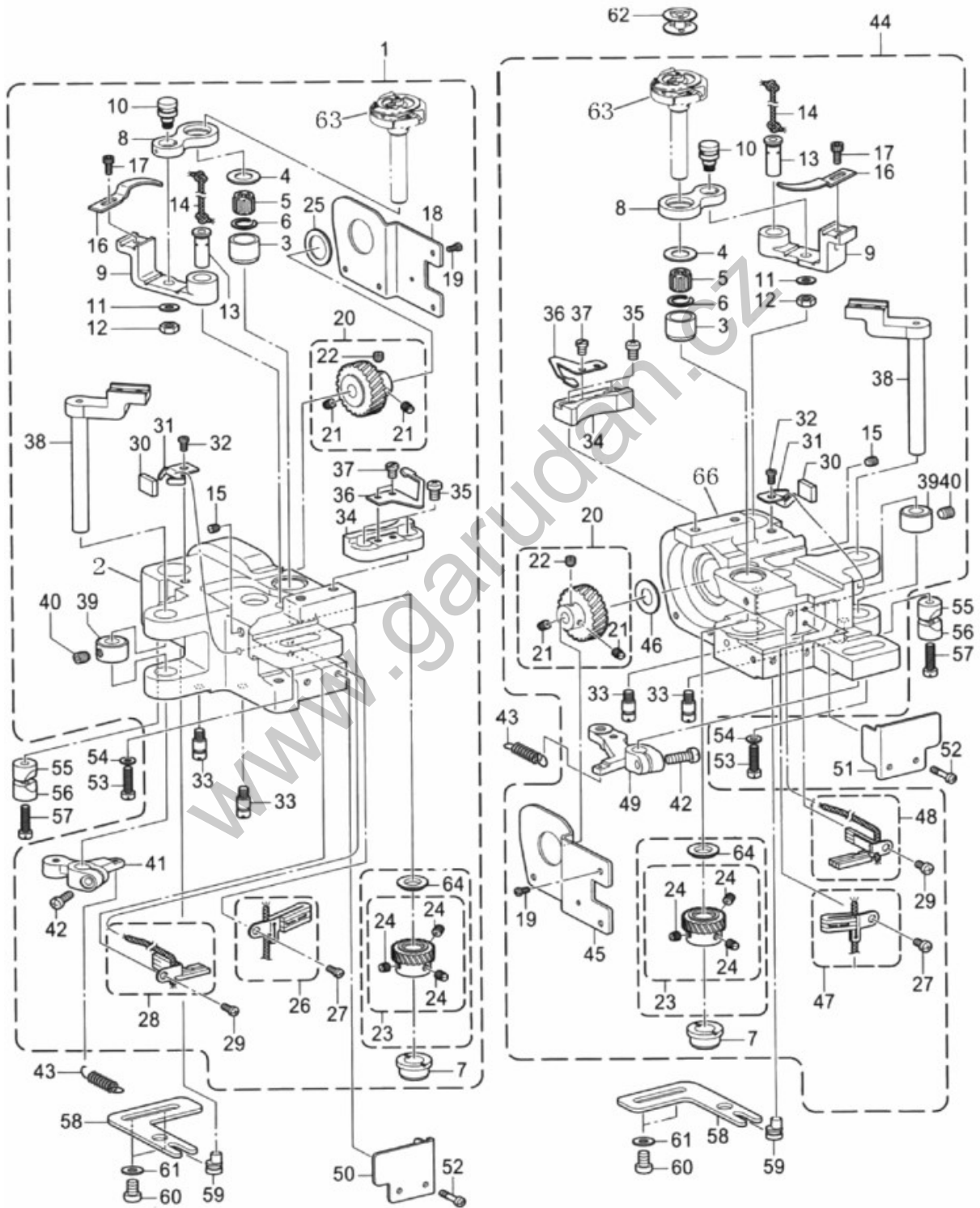
K1. ROTARY HOOK MECHANISM (1/2)					
Ref. No	Parts No.	Name of parts	Description	Qty	Note
1	20007801	Rotary Hook Base, 201l		1	
1	20006576	Rotary Hook Base, 211l		1	
1	20008270	Rotary Hook Base, 203l		1	
1	20008118	Rotary Hook Base, 221l		1	
2	10025614	Rotary Hook (201)		1	
2	10022685	Rotary Hook (211)		1	
2	10025616	Rotary Hook (203)		1	
2	10022773	Rotary Hook (221)		1	
3	10013708	Rotary Hook Shaft Bush (U) (GF-2207-147)		1	
3	10013462	Rotary Hook Shaft Bush (U) (GF-2207-447)		1	
4	10022268	Thrust Ring		1	
5	10006628	Needle Bearing		1	
6	10013713	Stop Ring		1	
7	10022269	Rotary Hook Shaft Bush (D)		1	
8	10013654	Opener Link (GF-2210-147)		1	
8	10013461	Opener Link (GF-2210-447)		1	
9	10013712	Opener Lever (GF-2210-147)		1	
9	10013460	Opener Lever (GF-2210-447)		1	
10	10013712	Opener Link Shaft		1	
11	10013691	Washer		1	
12	10013710	Nut, Sm3/16"x32		1	
13	10022689	Opener Lever Shaft		1	
14	10008091	Wick		1	
15	10022265	Screw, Sm3/16"x32		1	
16	10013651	Opener(GF-2210-147)		1	
16	10013482	Opener(GF-2210-447)		1	
17	10006624	Screw, Sm9/64"x40		1	
18	10022261	Gear Guide (L)		1	
19	10013598	Screw, Sm9/64"x40		1	
20	10027631	Spiral Gear Screw Ass'y		1	
21	10013438	Screw, Sm1/4"x40		2	
22	10013685	Screw, Sm1/4"x40		1	
23	10006678	Pinion Gear Screw Ass'y		1	
24	10006338	Screw, Sm11/64"x40		3	
25	10022263	Thrust Washer, L		1	
26	10013598	Felt UI Ass'y		1	
27	10013598	Screw, Sm9/64"x40		1	

K1. ROTARY HOOK MECHANISM (2/2)



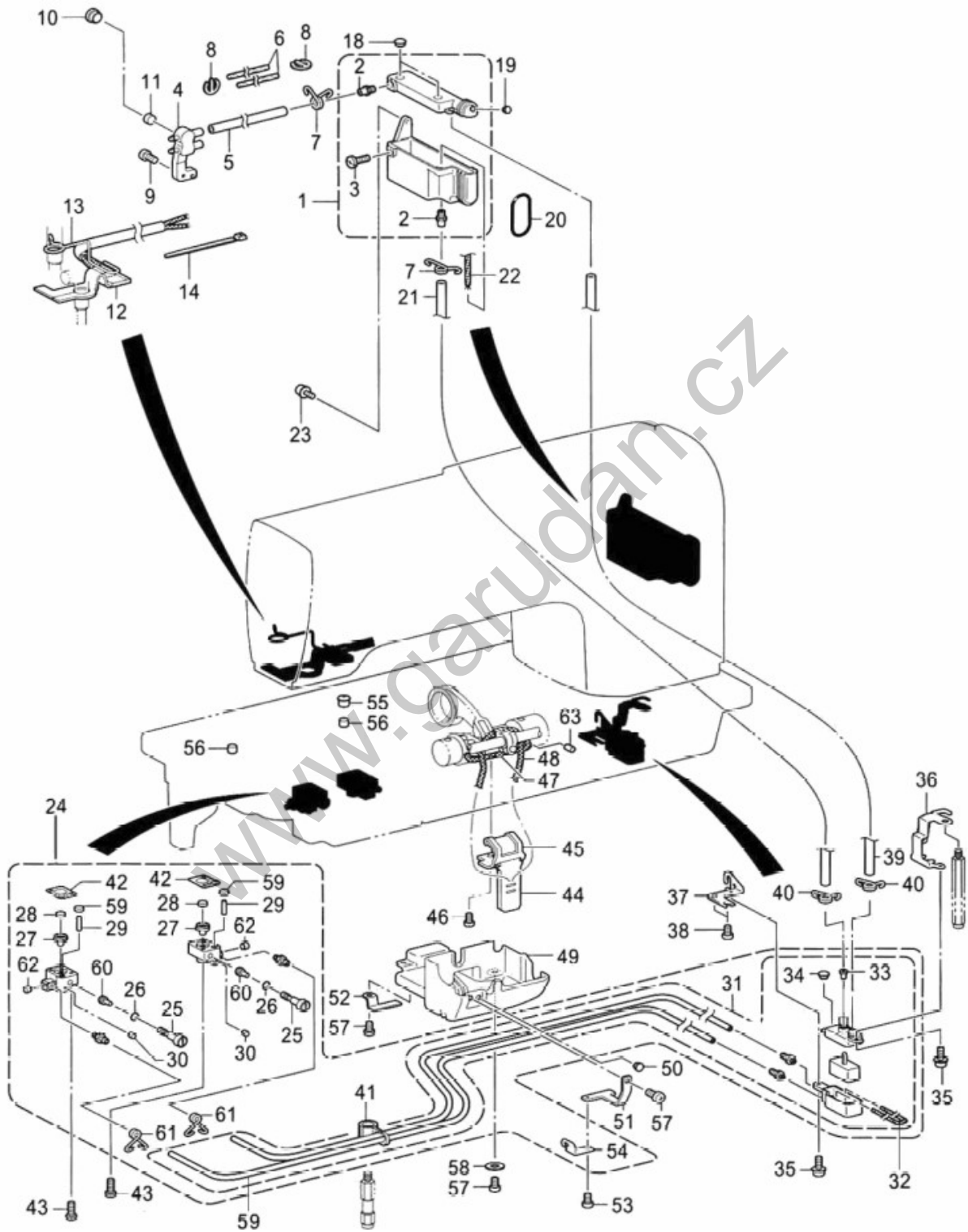
K1. ROTARY HOOK MECHANISM (2/2)					
Ref. No	Parts No.	Name of parts	Description	Qty	Note
28	20006582	Felt UI Ass'y		1	
29	10013598	Screw, Sm9/64"x40		1	
30	10022273	Felt		1	
31	10022264	Felt UI		1	
32	10013598	Screw, Sm9/64"x40		1	
33	10022265	Screw		2	
34	10013660	Movable Knife Bracket		1	
35	10013658	Screw, Sm11/64"x40		2	
36	10013659	Spring, Plate		1	
37	10013625	Screw, Sm1/8"x44		2	
38	10013700	Movable Knife Lever		1	
39	10013662	Set Screw Collar		1	
40	10013657	Screw, Sm1/4"x40		2	
41	10022470	Thread Trimmer Lever, L		1	
42	10013616	Screw, Sm11/64"x40		1	
64	10022268	Thrust Ring		1	
43	10013622	Spring, Extension		1	
50	10022262	Rotary Hook Base Cover, L		1	
51	10022272	Rotary Hook Base Cover, R		1	
52	10013598	Screw, Sm9/64"x40		4	
53	10013676	Screw, Sm1/4"x28		2	
54	10013678	Washer, Plain		2	
55	10006681	Pinch Sleeve		2	
56	10006683	Pinch Sleeve		2	
57	10006684	Screw, Sm15/64"x28		2	
58	10022267	Needle Upper Positioning Plate		2	
59	10022688	Needle Upper Positioning Shaft		2	

K2. ROTARY HOOK MECHANISM



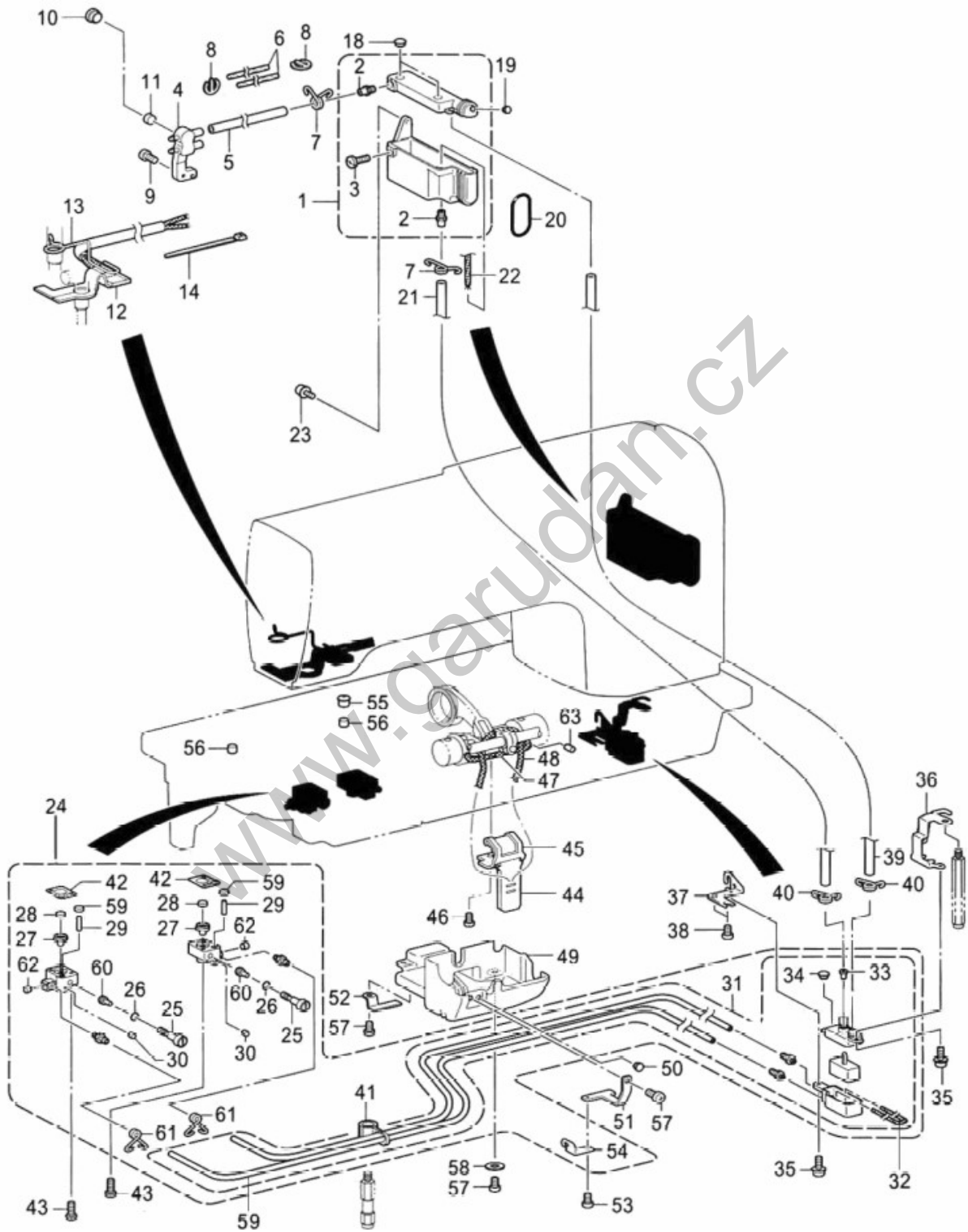
K2. ROTARY HOOK MECHANISM					
Ref. No	Parts No.	Name of parts	Description	Qty	Note
44	20007802	Rotary Hook Base, 201r			
44	20006577	Rotary Hook Base, 211r		1	
44	20008271	Rotary Hook Base, 203r			
44	20008279	Rotary Hook Base, 221r		1	
66	10025615	Rotary Hook (201)			
66	10022687	Rotary Hook (211)		1	
66	10025617	Rotary Hook (203)			
66	10022774	Rotary Hook (215)		1	
45	10022271	Gear Guide (R)		1	
46	10022266	Thrust Washer, R		1	
47	20006581	Felt UI Ass'y		1	
27	10013598	Screw, Sm9/64"x40		1	
48	20006583	Felt UI Ass'y		1	
29	10013598	Screw, Sm9/64"x40		1	
30	10022273	Felt		1	
31	10022264	Felt UI		1	
32	10013598	Screw, Sm9/64"x40		1	
33	10022265	Screw		2	
34	10013660	Movable Knife Bracket		1	
35	10013658	Screw, Sm11/64"x40		2	
36	10013659	Spring, Plate		1	
37	10013625	Screw, Sm1/8"x44		2	
38	10013700	Movable Knife Lever		1	
39	10013662	Set Screw Collar		1	
40	10013657	Screw, Sm1/4"x40		2	
49	10022471	Thread Trimmer Lever, R		1	
42	10013616	Screw, Sm11/64"x40		1	
64	10026981	Thrust Ring (0.8)		1	
64	10026982	Thrust Ring (1.0)		1	
64	10026983	Thrust Ring (1.2)		1	
64	10026984	Thrust Ring (1.4)		1	
60	10013663	Screw, Sm1/4"x28			
61	10013678	Set Screw Collar			
62	10013653	Bobbin(GF-2207-147)			
62	10013483	Bobbin(GF-2207-447)			
63	10006756	Rotary Hook Box Ass'y (284)			
63	10006735	Rotary Hook Box Ass'y (287)			
63	10021637	Rotary Hook Box Ass'y (287)			

M. LUBRICATION (1/2)



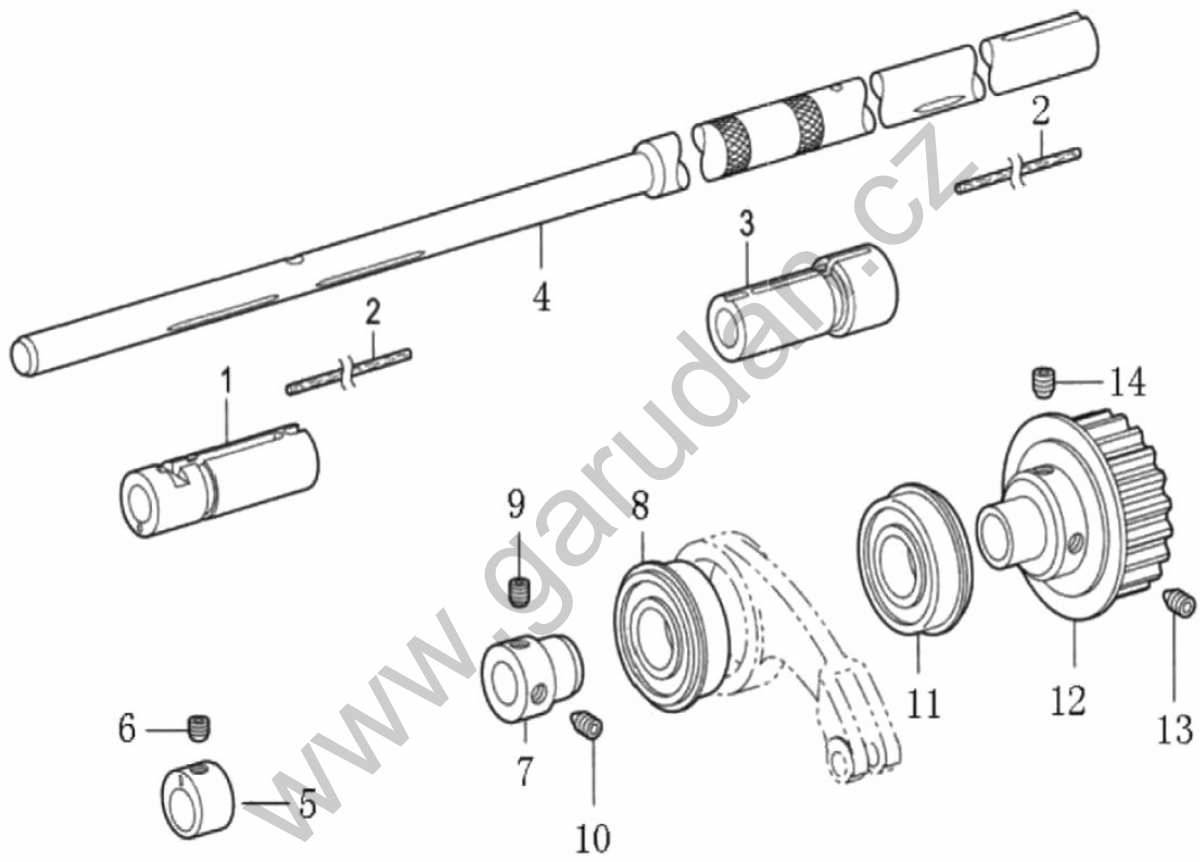
M. LUBRICATION (1/2)					
Ref. No	Parts No.	Name of parts	Description	Qty	Note
1	20008391	Oil Tank Ass'y (201)		1	
2	10022315	Oil Feeding Pipe		2	
3	10022778	Screw M8x7		1	
4	10022300	Oil Terminal		1	
5	10007800	Oil Tube ml=135		1	
6	10008091	Wick, L=200		2	
7	10022468	Tube Clip		2	
8	10022714	Wick Ring		2	
9	10013647	Screw Pan		1	
10	10011099	Rubber Cap, 12.5		2	
11	10013253	Rotary Hook Shaft Felt		1	
12	10022303	Felt Ass'y		1	
13	10013281	Felt Support		1	
14	10002534	Oil Tube		1	
18	10011099	Rubber Cap, 12.5		2	
19	10022306	Rubber Cap, 8		2	
20	10022314	O Ring P38		1	
21	10007800	Oil Tube, L=210		1	
22	10008091	Wick, L=400		1	
23	10013647	Screw Pan		1	
25	10022309	Oil Adjusting Screw		2	
26	10022310	O Ring P4		2	
27	10022749	Rubber Packing		2	
28	10013253	Rotary Hook Shaft Felt		2	
29	10022312	Wick L=80		2	
30	10022306	Rubber Cap, 4.2		2	
31	10022305	Sub-Tank Set		1	
32	10008091	Wick			
33	10022313	Oil Feeding Pipe		1	
34	10022306	Rubber Cap, 8		1	
35	10007675	Screw Pan (S/P Washer) M4x8		2	
36	10022712	Sub-Tank Setting Plate A		1	
37	10022711	Sub-Tank Setting Plate B		1	
38	10013260	Screw Pan M6x8		2	
39	10007800	Oil Tube, L=245		1	
40	10022468	Tube Clip		2	
41	10022301	Tube Support		1	
42	10022721	Rotary Hook Base D Packing		2	
43	10009868	Screw Pan M4x16		4	

M. LUBRICATION (2/2)



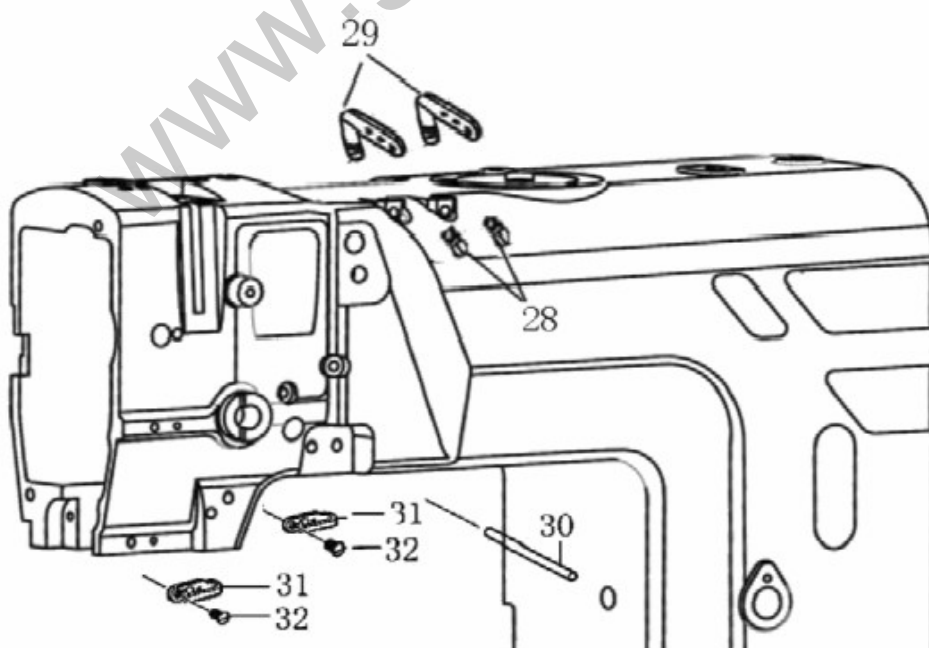
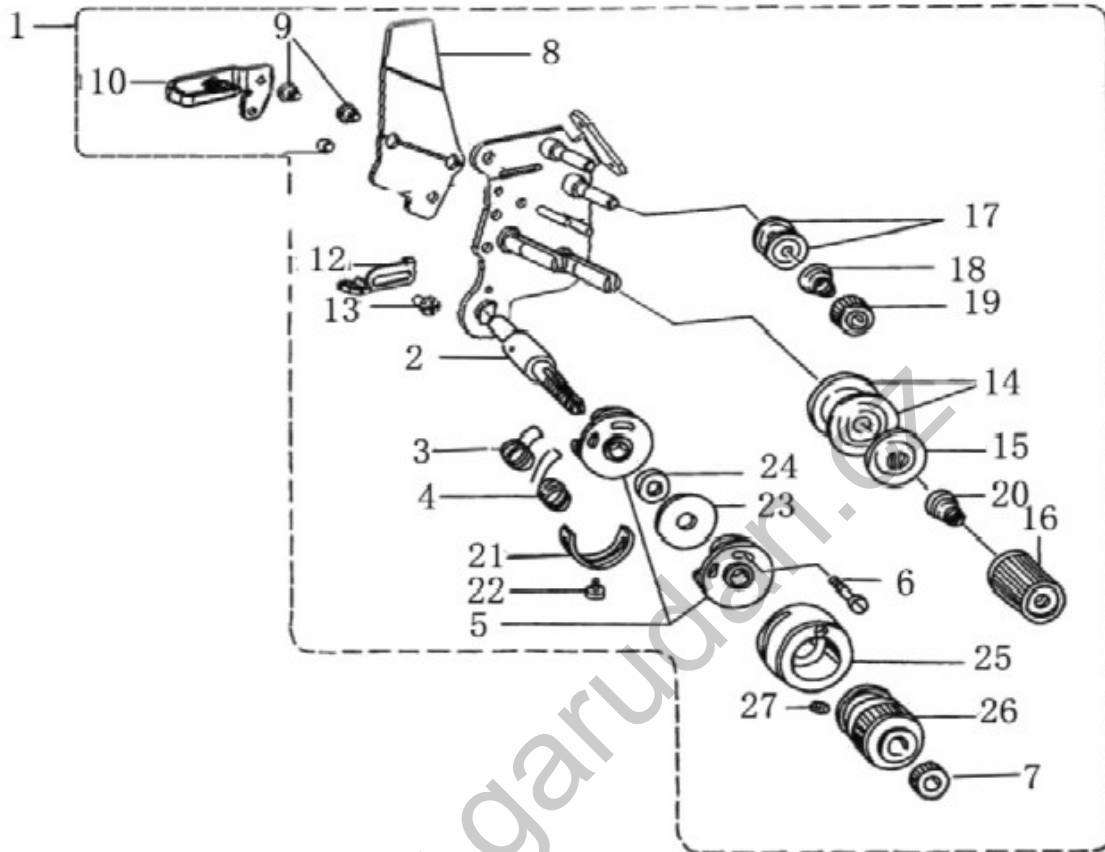
M. LUBRICATION (2/2)					
Ref. No	Parts No.	Name of parts	Description	Qty	Note
44	10022318	Feed Regulator Felt		1	
45	10022319	Felt Support		1	
46	10013598	Screw Pan		1	
47	10008091	Wick 4x4 (L=100)		1	
48	10008091	Wick,4x4 = 350		1	
49	10022710	Oil Cover			
50	10022306	Rubber Cap, 8		1	
51	10022298	Tube Support, A		1	
52	10022299	Tube Support, B		1	
53	10003006	Screw Pan M4x6		1	
54	10022297	Tube Guide			
55	10013583	Oil Cap			
56	10013254	Felt			
57	10010092	Screw, Sm1/4"x40		3	
58	10006629	Washer Plain 6.5		1	
59	10007800	Oil Tube ml			
60	10022469	Tube Clip		2	
62	10022307	Rubber Cap		2	

M1. LOWER SHAFT MECHANISM



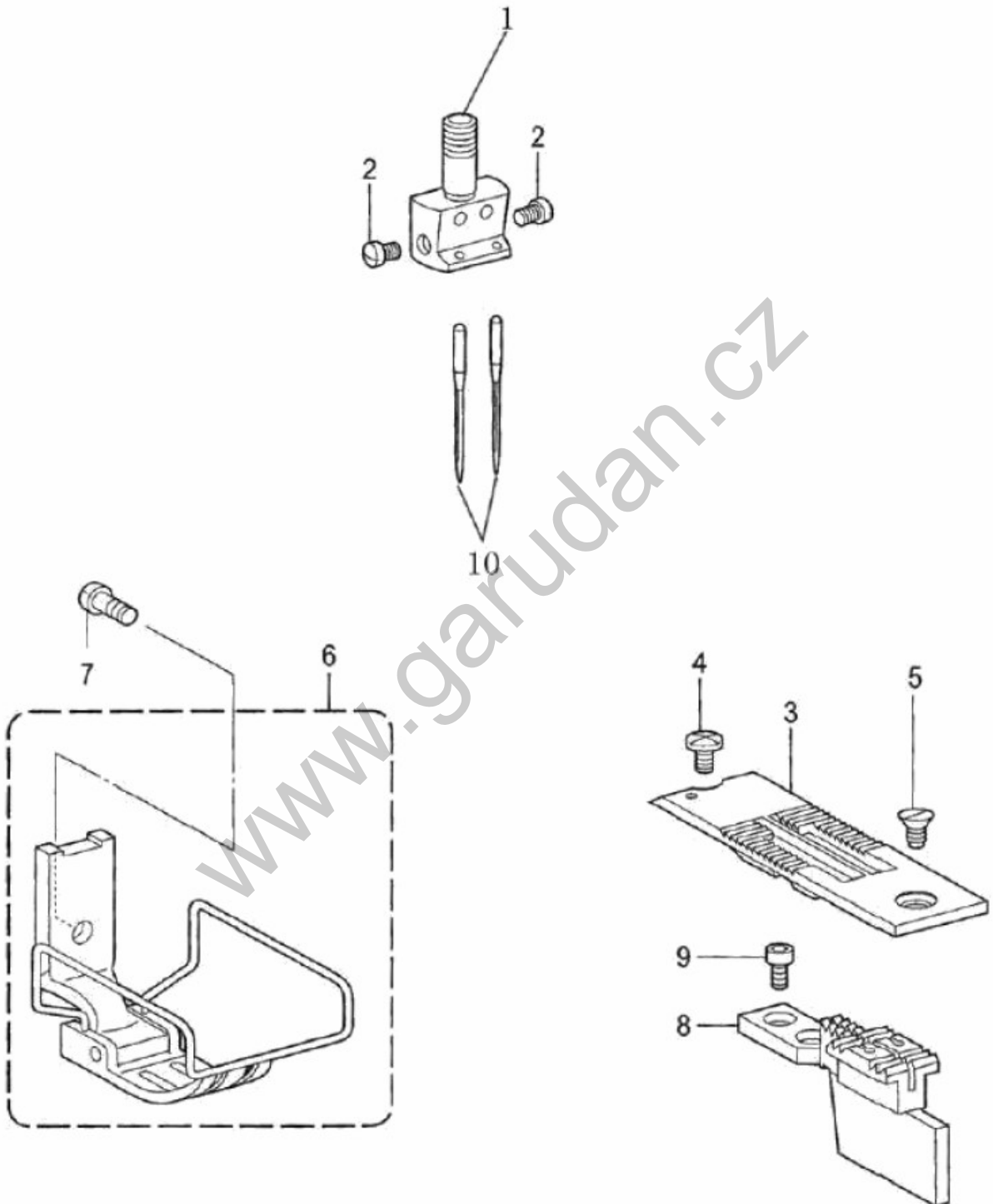
M1. LOWER SHAFT MECHANISM					
Ref. No	Parts No.	Name of parts	Description	Qty	Note
1	10022281	Rotary Hook Base Bush L		1	
2	10008091	Felt		1	
3	10022282	Rotary Hook Base Bush		2	
4	10025612	Lower Shaft, St		1	
4	10022283	Lower Shaft, St		1	
5	10022461	Vertical Feed Eccentric Wheel Ass'y		1	
6	10013685	Set Screw, Sm1/4"x40		1	
7	10022752	Ball Bearing Bush		1	
8	10003542	Ball Bearing, 6004zznrc3		1	
9	10009418	Set Screw, M5x5		1	
10	10012162	Set Screw, M5x5		1	
11	10003578	Timing Pulley D		1	
12	10022690	Timing Pulley D Ass'y Set		1	
13	10013467	Set Screw, Sm1/4"x40		1	
14	10013465	Set Screw, Sm1/4"x40		1	

N1. THREAD MECHANISM



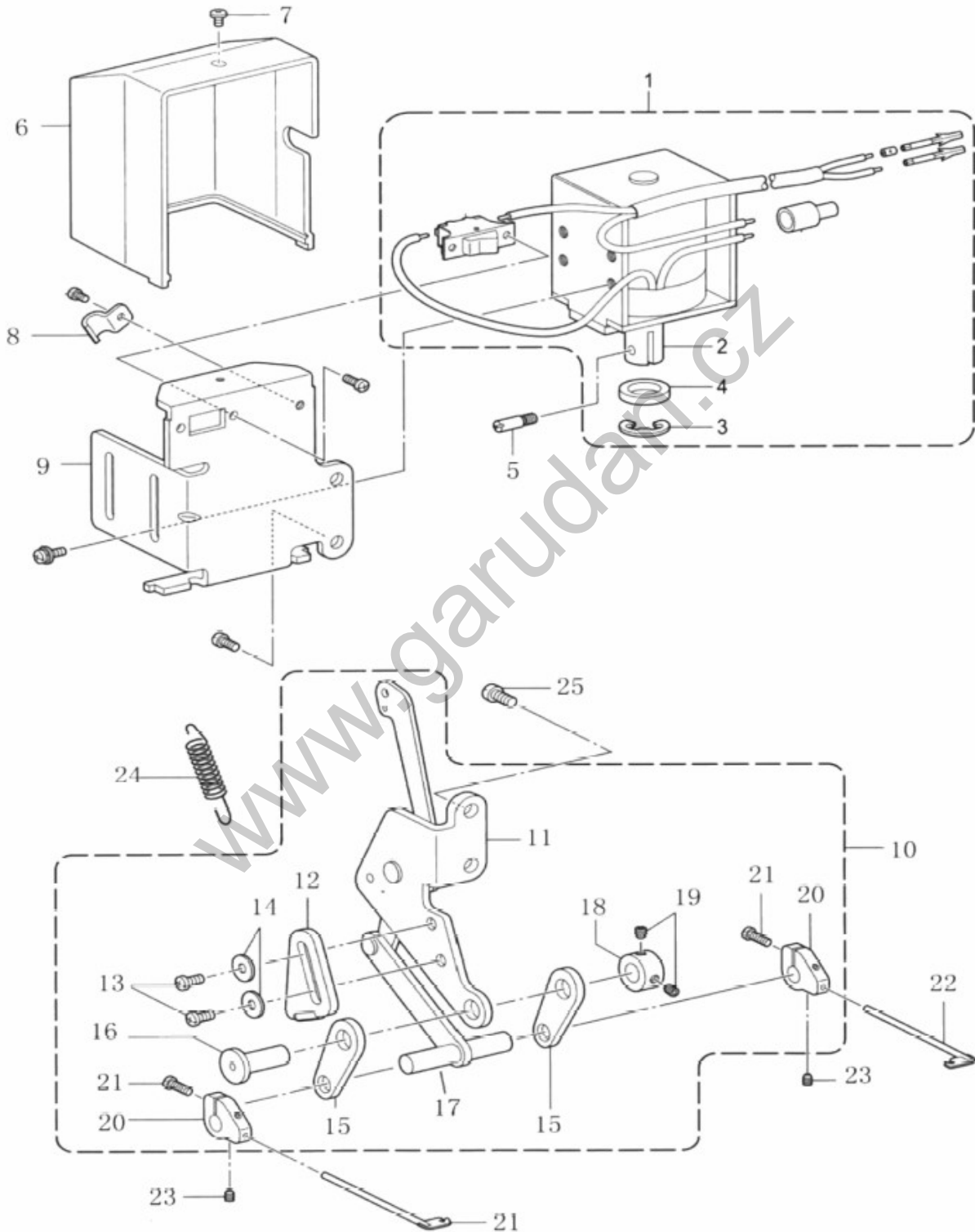
N1. THREAD MECHANIS					
Ref. No	Parts No.	Name of parts	Description	Qty	Note
1	10009148	Upper Thread Tension Ass'y, D		1	
1	10009098	Upper Thread Tension Ass'y, D		1	
2	10006534	Tension Stud		1	
3	10006539	Thread Take-up Spring L		1	
4	10006544	Thread Take-up Spring R		1	
5	10006535	Tension Spring Guide Ass'y		2	
6	10006524	Screw, Sm3/32"x56		1	
7	10006566	Tension Nut		1	
8	10002670	Tension Release Plate		1	
9	10006557	Shoulder Screw,Sm3.57		2	
10	10002650	Arm Thread Guide (U)		1	
11	10006532	Fixing Screw		1	
12	10002678	Thread Quantity Adjust		1	
13	10009667	Screw		1	
14	10006541	Tension Disc		4	
15	10006543	Tension Disc Presser		2	
16	10006561	Tension Nut		2	
17	10006571	Thread Guide Disc		4	
18	10006563	Spring, Pre-Tension (A)		2	
19	10006561	Tension Nut		2	
20	10006542	Spring, Tension Adjust (Heavy)		1	
20	10006545	Spring, Tension Adjust (Heavy)		1	
21	10013561	Tension, Spring Stopper		1	
22	10006532	Screw, Pan Sm3.57-40x5		1	
23	10006559	Spacer		1	
24	10006537	Collar		1	
25	10006543	Stopper Support		1	
26	10006558	Adjust Theme		1	
27	10006532	Set Screw, (Cp) Sm3.18		1	
28	10009100	Thread Retainer		1	
29	10002896	Screw		1	
30	10013562	Bar, Tension Release		1	
31	10013599	Thread Guide (GF-2210-147)		2	
32	10013601	Screw		2	

P. GAUGE PARTS



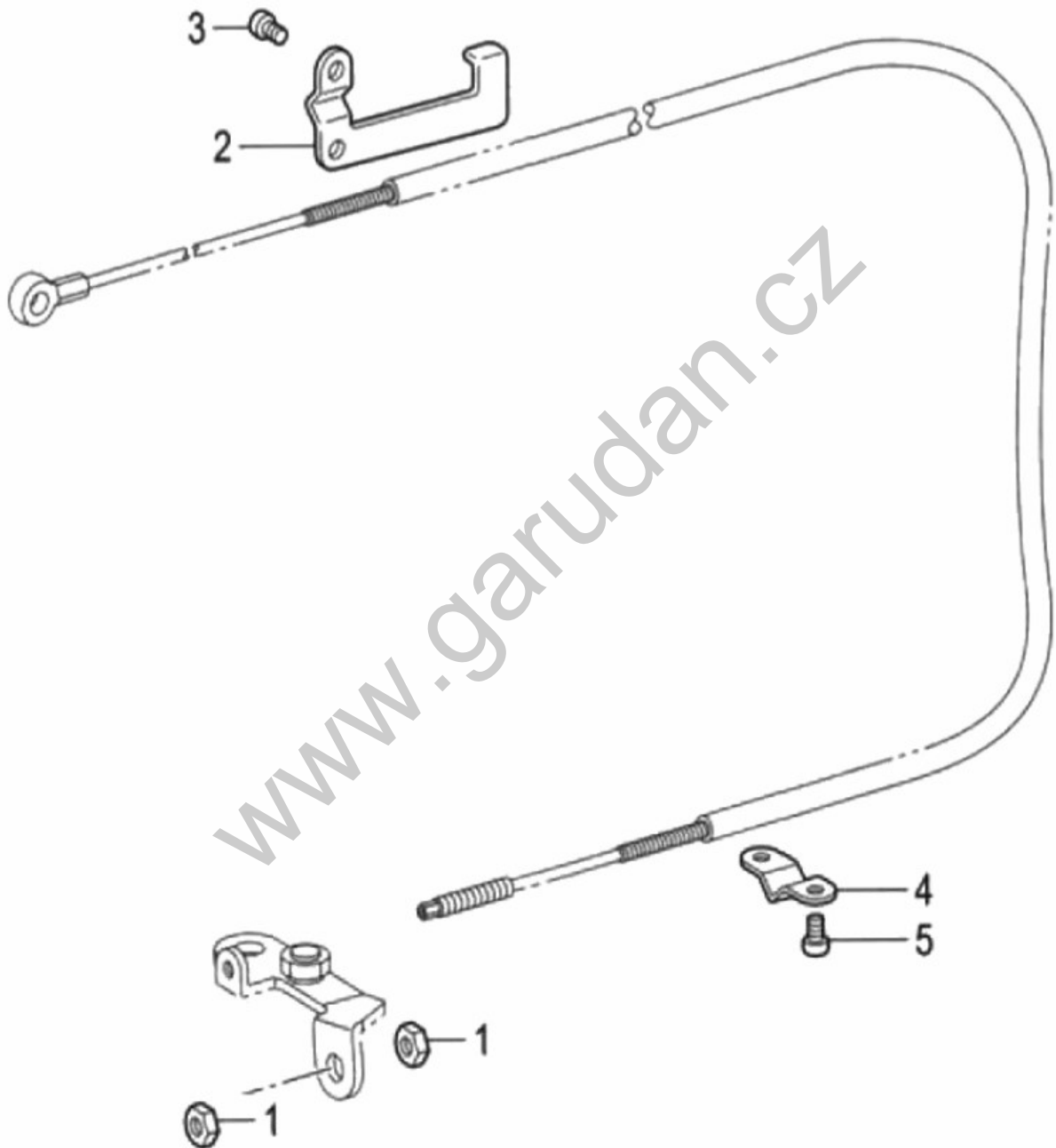
P GAUGE PARTS					
Ref. No	Parts No.	Name of parts	Description	Qty	Note
1	10006596	Needle Clamp		1	
2	10013644	Screw, Sm9/64"x40		2	
3	10022648	Needle Plate		1	
3	10022246	Needle Plate		1	
4	10013608	Screw, Sm11/64"x40		1	
5	10013522	Screw, Sm11/64"x40		1	
8	10013226	Feed Dog (284)		1	
8	10006600	Feed Dog (287)		1	
8	20004339	Feed Dog		1	
9	10013542	Screw, Sm1/8"x44		1	
6	10002716	Presser Foot Ass'y (284)		1	
6	10013492	Presser Foot Ass'y (287)		2	
7	10013221	Screw, M9/64"x40		2	
10	10004858	Needle Dp×5 14#		2	
10	10004869	Needle Dp×5 21#		2	

R. THREAD WIPER MECHANISM (THREAD TRIMMER)



R. THREAD WIPER MECHANISM (THREAD TRIMMER)					
Ref. No	Parts No.	Name of parts	Description	Qty	Note
1	10009335	Thread Wiper Solenoid Ass'y		1	
2	10003491	Plunger		1	
3	10003281	Retaining Ring, E9		1	
4	10006631	Plug Rubber		1	
5	10006670	Plunger Pin		1	
6	10002894	Solenoid Cover		1	
7	10003044	Screw		1	
9	10002895	Solenoid Holding Plate			
10	10022733	Thread Wiper Solenoid Ass'y		1	
11	10006633	Solenoid Link		1	
12	10006636	Stopper		1	
13	10013665	Screw Sm3/16"x28		2	
14	10006637	Washer		2	
15	10006630	Thread Wiper Link (C)		2	
16	10006638	Thread Wiper Link Stud		1	
17	10006669	Thread Stud Ass'y		1	
18	10013696	Set Screw Collar		1	
19	10013590	Screw, Sm11/64"x40		2	
20	10013667	Thread Wiper Support		2	
21	10013694	Screw, Sm1/8"x44		2	
22	10013703	Thread Wiper		2	
23	10013694	Screw, Sm1/8"x44		2	
24	10022472	Thread Wiper Spring		1	
25	1001326	Screw, Sm3/16"x32		2	

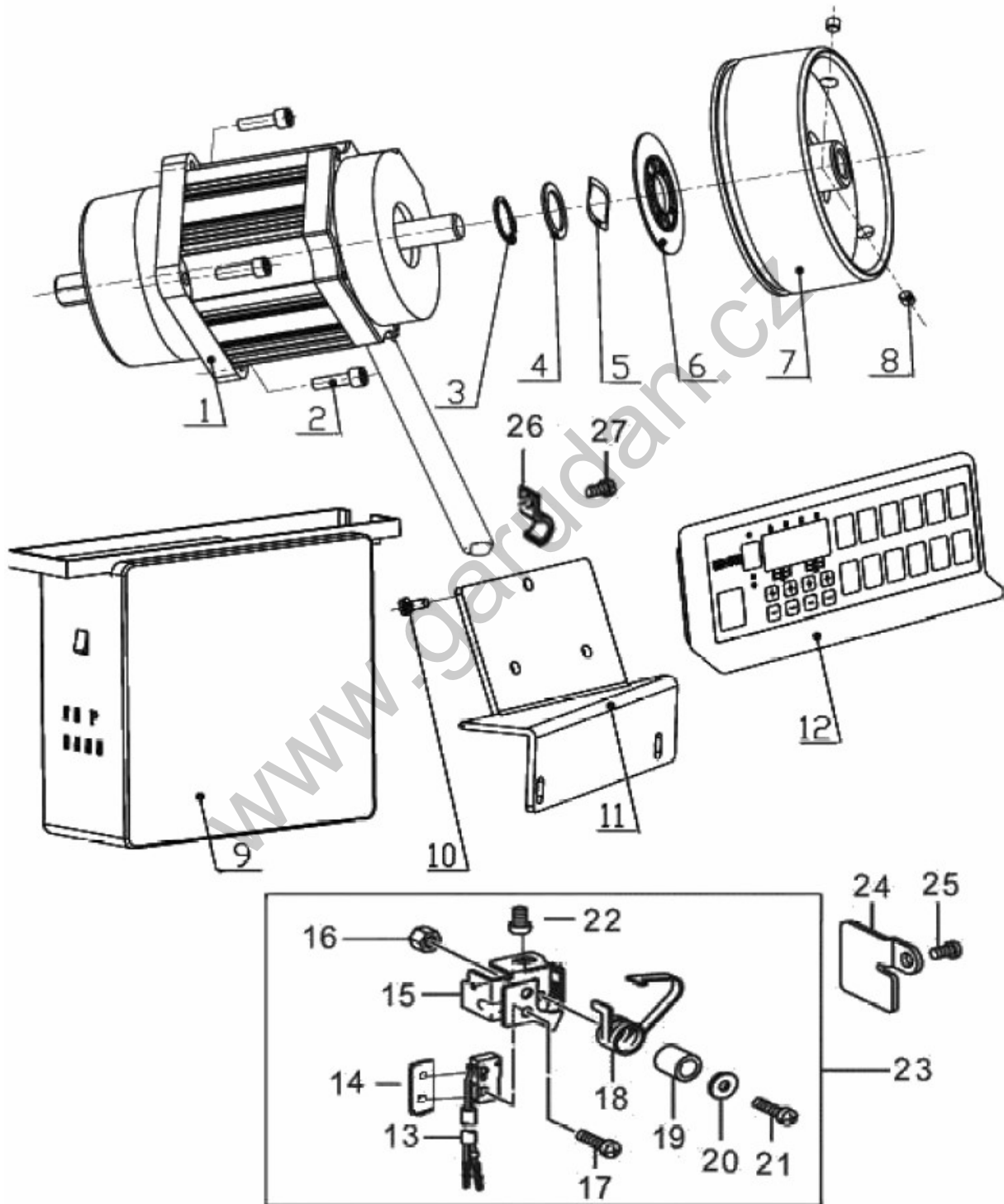
S. TENSION RELEASE MECHANISM



S. TENSION RELEASE MECHANISM					
Ref. No	Parts No.	Name of parts	Description	Qty	Note
1	10005697	Nut, Sm4.76		2	
2	10022754	Tension Release Wire Holder		1	
3	10013647	Screw, Pan Sm3.57-40x5		2	
4	10013524	Tension Release Wire Holder		1	
5	10013647	Screw, Pan Sm3.57-40x5		2	

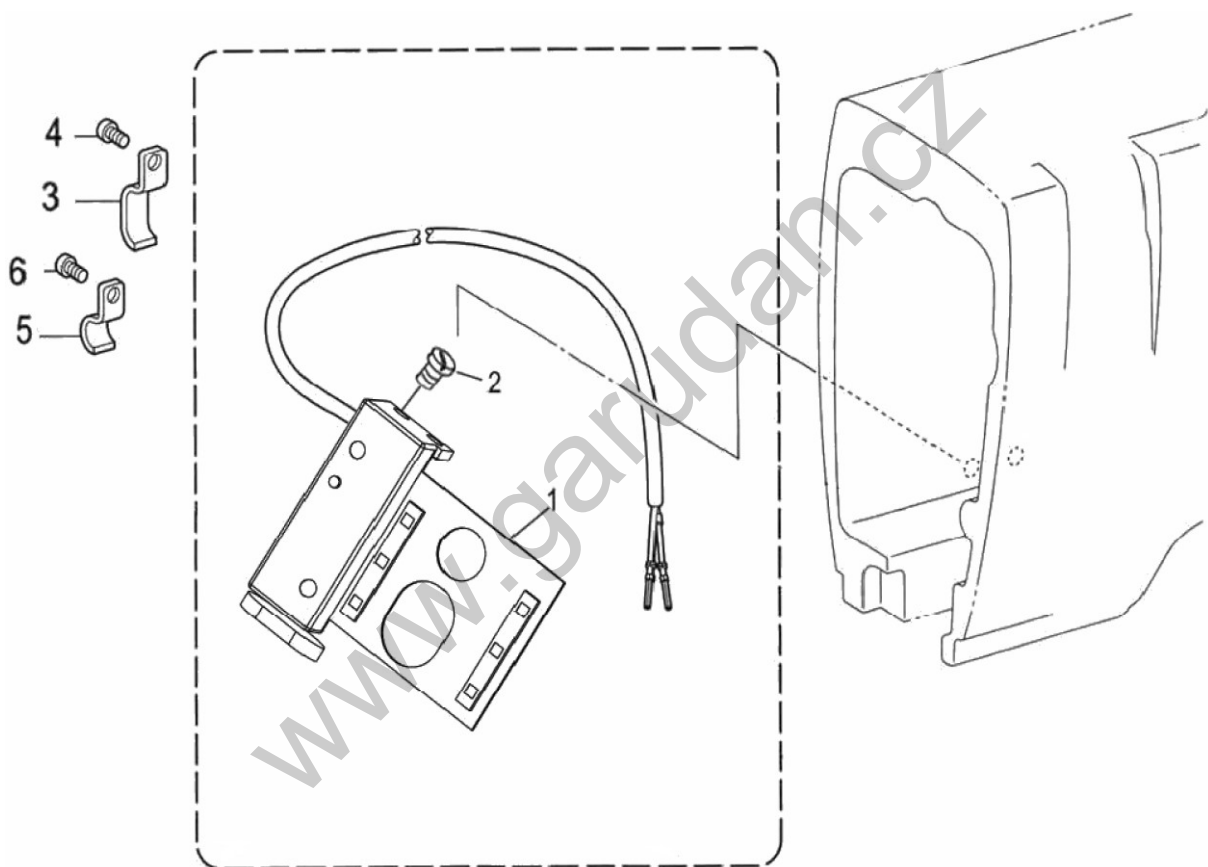
www.garudan.cz

S1. CONTROL BOX AND MOTOR MECHANISM



S1. CONTROL BOX AND MOTOR MECHANISM					
Ref. No	Parts No.	Name of parts	Description	Qty	Note
1	10024876	Motor		1	
1	10028553	Motor (Simple)		1	
2	10006157	Screw Pan		4	
3	10003365	Retaining Ring		1	
4	10003845	Washer Plain		1	
5	10003364	Washer Plain		1	
6	10006898	Guard Plate		1	
7	20007523	Pulley		1	
8	10012162	Screw Pan		2	
9	30002421	Control Box (Wr-507)		1	
9	30004156	Control Box (Wr-572)		1	
10	10003016	Screw Pan		3	
11	10009028	Panel Setting Plate		1	
12	30003421	Wr-501 Panel Seat		1	
13	10006284	Micro Switch		1	
14	10005877	Nut		1	
15	10022727	Switch Base		1	
16	10009471	Nut		1	
17	10003045	Screw Pan		2	
18	10022322	Switch Plate Spring		1	
19	10022321	Spacer		1	
20	10002997	Washer Plain M4		1	
21	10009101	Screw Pan		1	
22	10013657	Screw Pan		1	
23	20006594	Micro Switch Ass'y		1	
24	10022759	Cord Holder		1	
25	10009456	Screw Pan		1	
26	10022329	Motor Cord Holder		1	
27	10009456	Screw Pan		1	

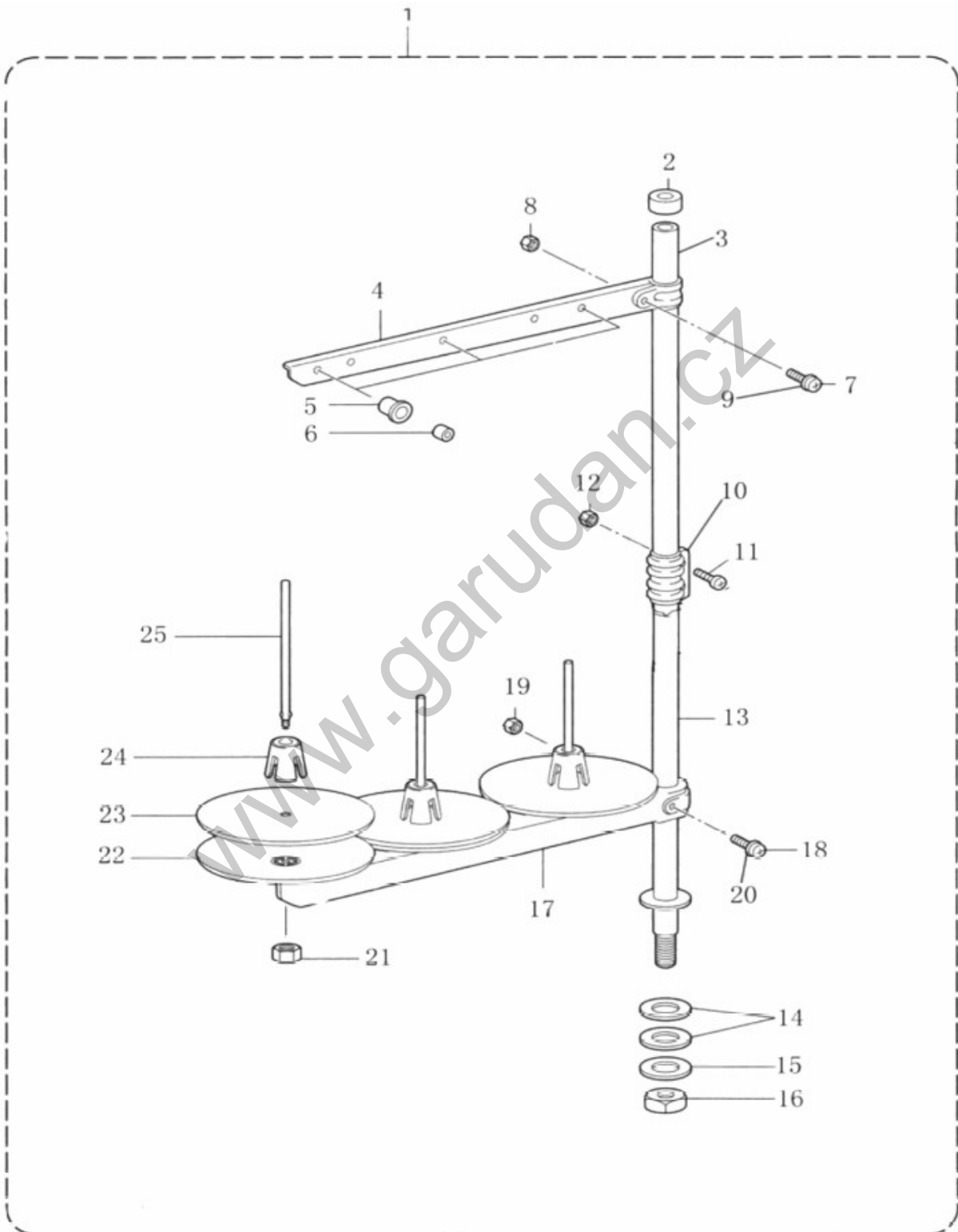
W. QUICK REVERSE SWITCH MECHANISM



W. QUICK REVERSE SWITCH MECHANISM					
Ref. No	Parts No.	Name of parts	Description	Qty	Note
1	10030238			1	
1	10030240			1	
2	10013658	Screw, Sm11/64"x40		2	
3	10022759	Cord Holder		1	
4	10009456	Screw, M5x8		1	
5	10012421	Cord Holder		1	
6	10013598	Screw, Sm11/64"x40		1	

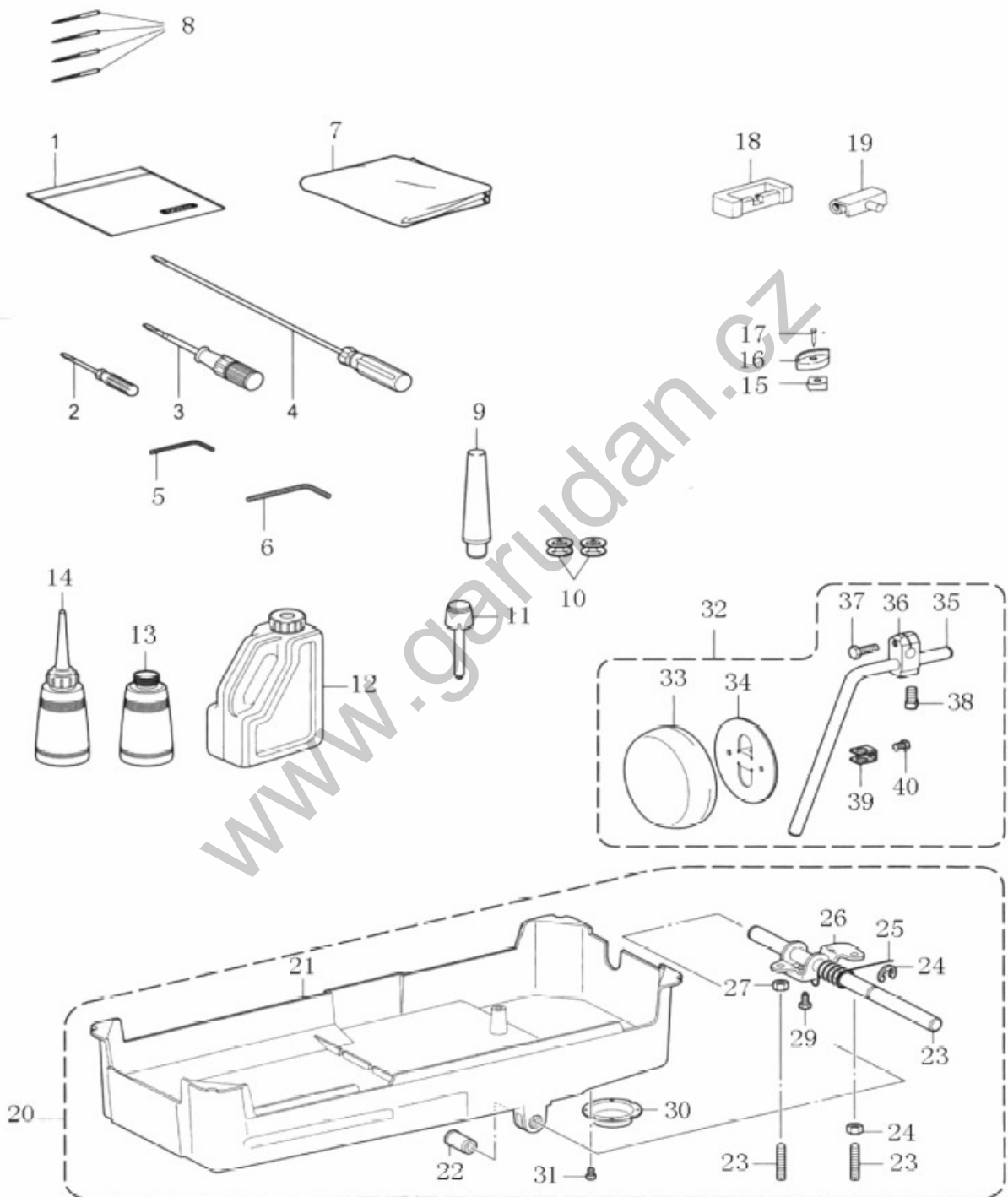
www.garudan.cz

Z1. ACCESSORIES



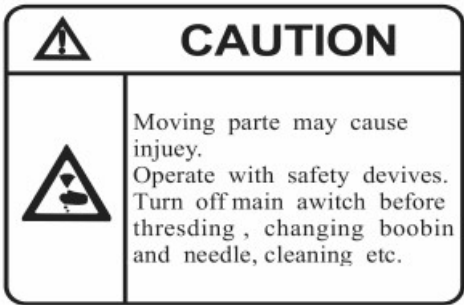



Z1. ACCESSORIES					
Ref. No	Parts No.	Name of parts	Description	Qty	Note
1	10006352	Cotton Stand Ass'y, 3drthf		1	
2	10004282	Column Cap		1	
3	10004293	Column Pipe		1	
4	10006345	Thread Hanger		1	
5	10004285	Thread Hanger Base		3	
6	10004289	Thread Bush		3	
7	10003301	Screw, M5x14		1	
8	10009467	Nut M5		1	
9	10003022	Washer		1	
10	10004286	Column		1	
11	10003301	Screw, M5x14		2	
12	10009467	Nut M5		2	
13	10004291	Wire frame lower support tube (D)		1	
14	10004290	Washer		2	
15	10004295	Washer		1	
16	10003127	Nut M16		1	
17	10006351	Spool Holder		1	
18	10003301	Screw, M5x14		1	
19	10009467	Nut M5		1	
20	10003022	Washer		1	
21	10009467	Nut M5		3	
22	10004299	Spool Stand Base		3	
23	10004281	Spool Mat		3	
24	10004287	Spool Cushion		3	
25	10004288	Spool Shaft		3	

Z2. ACCESSORIES



Z2. ACCESSORIES					
Ref. No	Parts No.	Name of parts	Description	Qty	Note
1	116354-116357	Accessory Bag		4	
2	10010994	Screw Driver, 1.9x52		1	
3	10010995	Screw Driver, 3.4x70		1	
4	10013185	Screw Driver, 4.7x250		1	
5	10009683	Hexagonal Wrench 2		1	
6	10009685	Hexagonal Wrench 3		1	
7	10005776	Head Cover		1	
8	10004858	Needle Dpx5		4	
9	10013295	Head Rest		1	
10	10013653	Bobbin, St		4	
11	10013214	Knee Lifer Complying Bar		1	
12	10004455	Oil Tank		1	
13	10013294	Oil Tank		2	
14	10006373	Oil Tank		1	
15	10012158	Oil Pan Cushion		4	
16	10022296	Rubber Cushion		4	
17	10003889	Nail		8	
18	10011041	Rubber Cushion		4	
19	10004466	Head Hinge		4	
20	20007512	Oil Pan Ass'y		1	
21	10022295	Oil Pan		1	
22	10013249	Bush		2	
23	10013592	Knee Lifter Shaft		1	
24	10004964	Retaining Ring		1	
25	10004963	Twist Spring		1	
26	10006340	Knee Lifter		1	
27	10004960	Nut		3	
28	10004962	Screw, M6x24		2	
29	10004961	Screw, M6x14.5		1	
30	10013218	Drain		1	
31	10013598	Screw, Sm9/64"x40		2	
32	10005710	Knee Lifter Ass'y		1	
33	10004223	Knee Lifter Plate Cover		1	
34	10003891	Knee Lifter Plate		1	
35	10005640	Knee Lifter Bar		1	
36	10003896	Knee Lifter Bracket		1	
37	10002610	Bolt		1	
38	10002613	Bolt		1	
39	10003897	Knee Lifter Plate Stopper		1	
40	10003894	Screw, Sm15/64"x28		1	

WARNING LABELS

<p>1</p>		<p>Label, operation Eng.</p>	<p>40x64</p>	
<p>2</p>		<p>Mark, injury</p>	<p>L=16 R=0.8</p>	
<p>3</p>		<p>Mark, arrow</p>	<p>10 x 30</p>	
<p>4</p>		<p>Mark, grounding</p>	<p>Ø12</p>	

www.garudan.cz