

Spare parts list
Katalog náhradních dílů

GARUDAN[®]

GF-1117-143 MH

GF-1117-443 H



ANITA B, s.r.o.

Průmyslová 2453/7

680 01 Boskovice

Czech Republic

tel: +420 516 454 774

+420 516 453 496

fax: +420 516 452 751

e-mail: info@anita.cz

www.garudan.cz

Všechna práva vyhrazena.

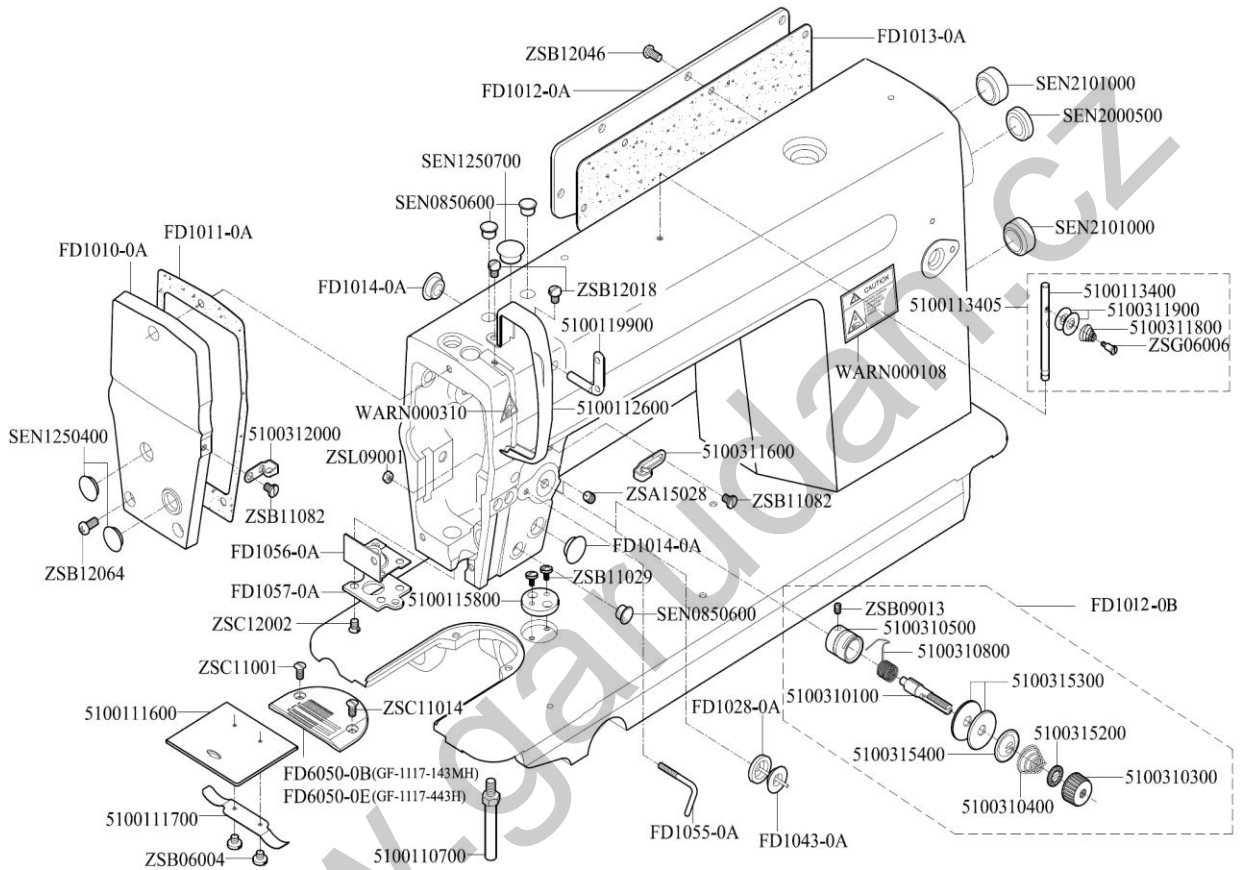
Vlastnictví Anita B s r.o. a chráněno autorským právem. Použití tohoto obsahu bez písemného souhlasu Anita B s r.o. zakázáno.

Copyright © Anita B s r.o. (2015)

Content

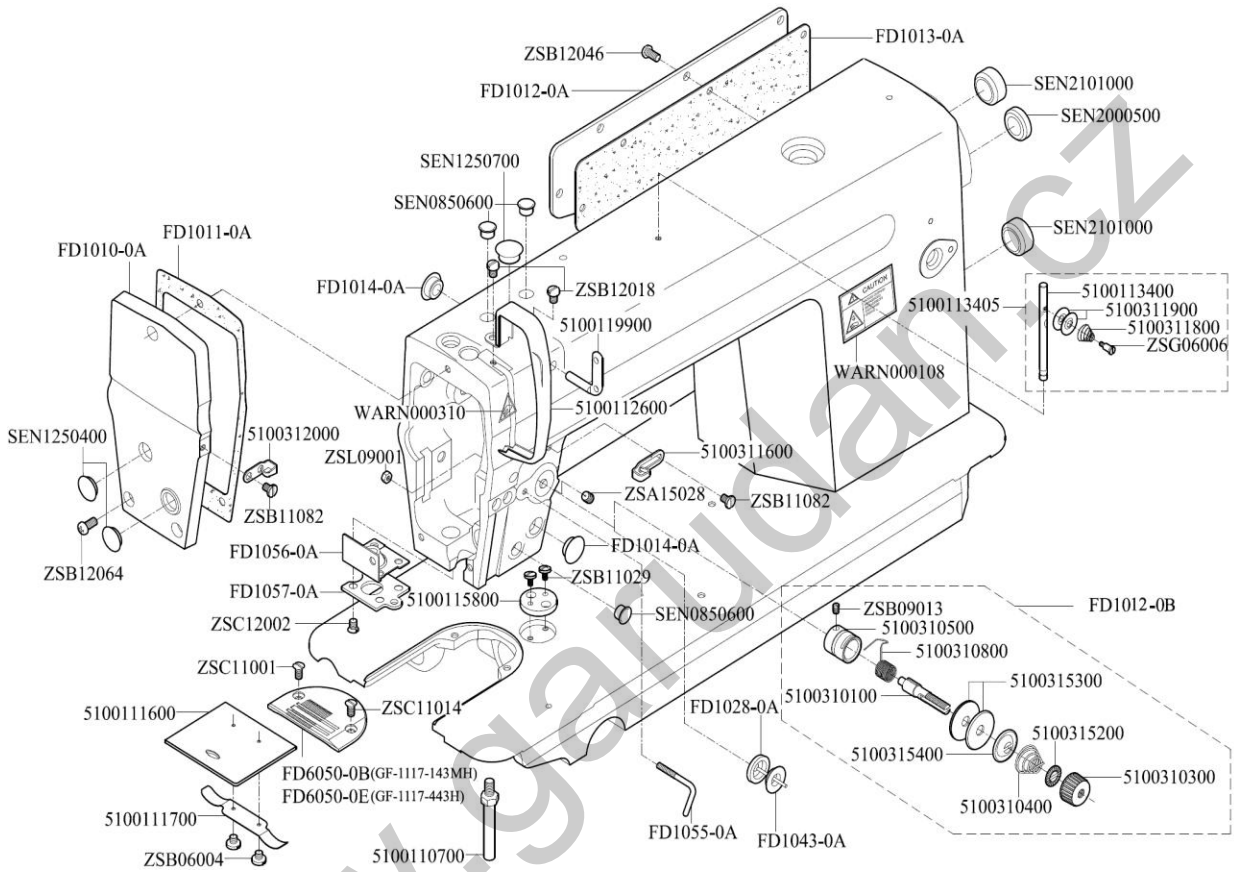
A. ARM BED AND ITS ACCESSORIES.....	4
A. ARM BED AND ITS ACCESSORIES.....	6
B. MAIN SHAFT THREAD TAKE-UP LEVER MECHANISM	8
C. NEEDLE BAR UPRIGHT SHAFT LOWER SHAFT MECHANISM	10
D. PRESSER FOOT MECHANISM	12
E. FEED MECHANISM	14
F. FEED CONTROL MECHANISM	16
G. NEEDLE FEED MECHANISM	18
H. OIL LUBRICATION MECHANISM.....	20
I. ACCESSORIES (1/3)	22
I. ACCESSORIES (2/3)	24
I. ACCESSORIES (3/3)	26

A. ARM BED AND ITS ACCESSORIES



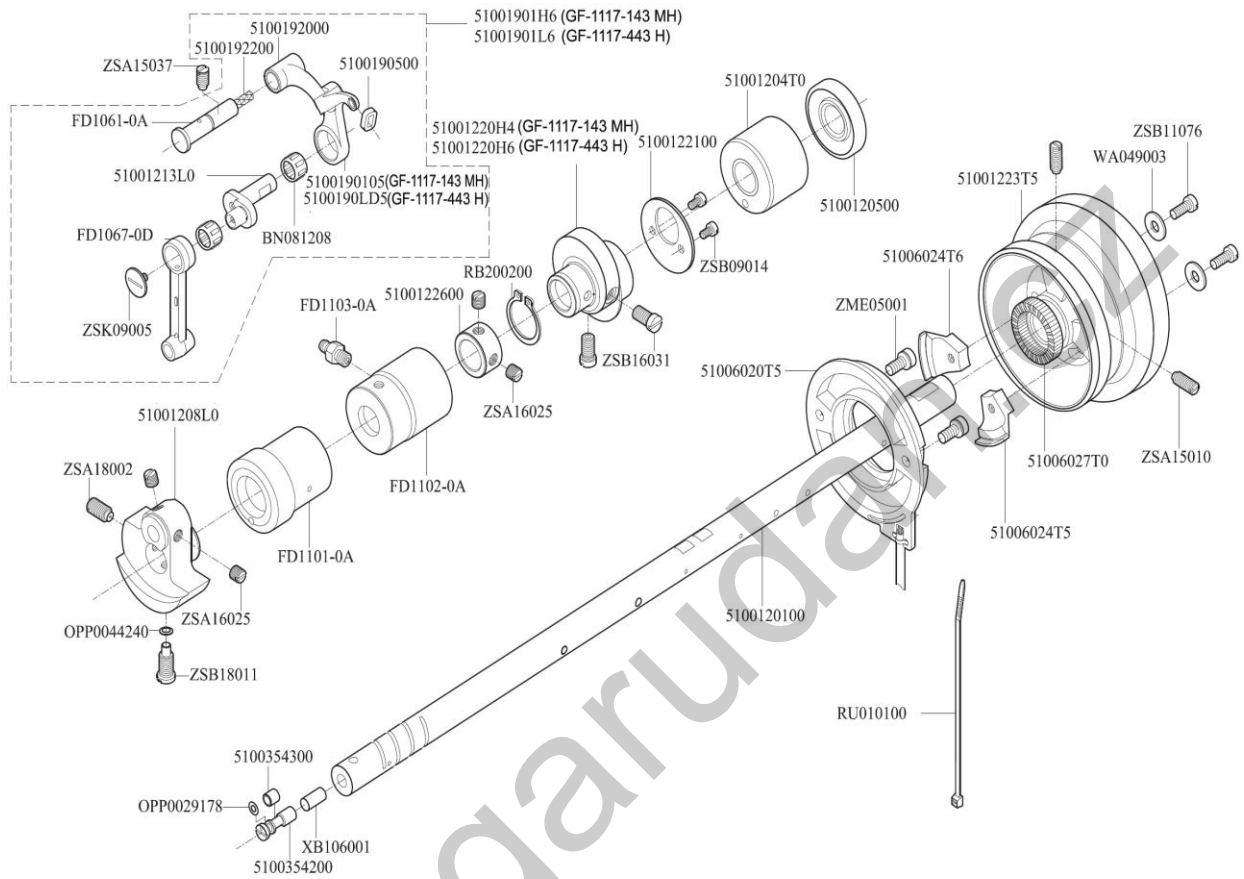
A. ARM BED AND ITS ACCESSORIES		
Parts No.	Name of Parts	QTY
5100110700	Bed Screw Stud	4
5100111600	Slide Plate	1
5100111700	Slide Plate Spring	1
5100112600	Thread Take-up Lever Cover	1
5100113400	Thread Guide Rod	1
5100113405	Needle Thread Guide Pin Asm	1
5100115800	Needle Thread Guide Pin Asm	1
5100119900	Two Eyelet	1
5100310100	Tension Post	1
5100310300	Tension Nut	1
5100310400	Tension Spring	1
5100310500	Tension Post Socket	1
5100310800	Take-up Spring	1
5100311600	Arm Thread Guide	1
5100311800	Thread Guide Disk Spring	1
5100311900	Thread Guide Disk	2
5100312000	Arm Thread Guide	1
5100315200	Rotating Stopper	1
5100315300	Thread Tension Disk	2
5100315400	Thread Tension Disk Presser	1
FD1010-0A	Face Plate Asm	1
FD1011-0A	Face Plate Gasket	1
FD1012-0B	Side Plate	1
FD1013-0A	Gasket	1
FD1014-0A	Rubber Plug	2
FD1016-0A	Name Plate	1
FD1028-0A	Tension Release Pin Cap Asm	1
FD1043-0A	Cap Ring	1
FD1055-0A	Arm Thread Guide	1
FD1056-0A	Gasket	1
FD1057-0A	Presser Bar Support	1
FD6050-0B	Throat Plate	1
FD6050-0E	Throat Plate	1
SEN0850600	Rubber Plug	3
SEN1250400	Rubber Plug	2
SEN1250700	Rubber Plug	1
SEN2000500	Rubber Plug	1
SEN2101000	Rubber Plug	2
WARN000310	Paster	1
WARN000108	Paster	1
ZSA15028	Screw (15/64-28×7)	1

A. ARM BED AND ITS ACCESSORIES



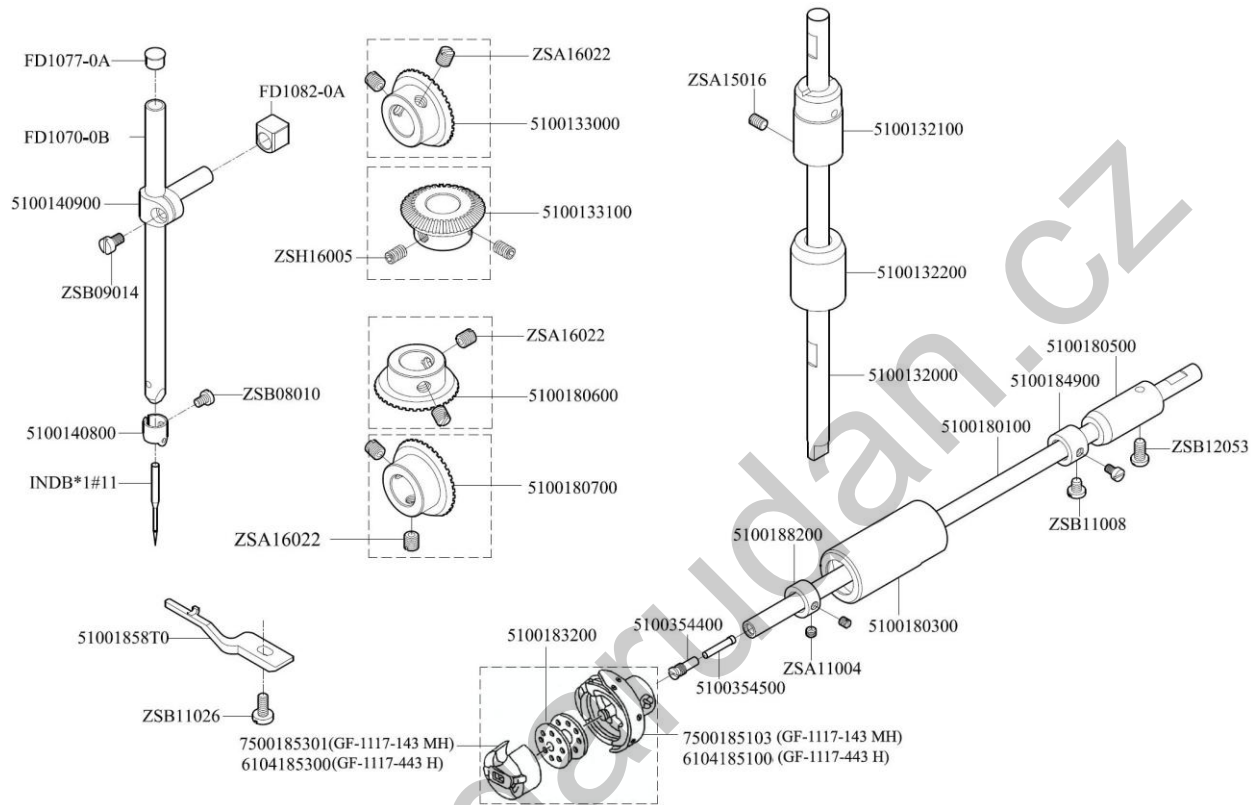
A. ARM BED AND ITS ACCESSORIES		
Parts No.	Name of Parts	QTY
ZSB06004	Screw (3/32-56×2.2)	2
ZSB09013	Screw (9/64-40×4)	1
ZSB11029	Screw (11/64-40×7)	2
ZSB11082	Screw (11/64-40×6.5)	2
ZSB12018	Screw (3/16-28×6)	2
ZSB12046	Screw (3/16-28×7)	8
ZSB12064	Screw (3/16-28×10)	3
ZSC11001	Screw (11/64-40×6.5)	1
ZSC11014	Screw (11/64-40×9)	1
ZSC12002	Screw (3/16-28×3.5)	4
ZSG06006	Hinge Screw (3/32-56×4.2)	1
ZSL09001	Nut (9/64-40)	1

B. MAIN SHAFT THREAD TAKE-UP LEVER MECHANISM



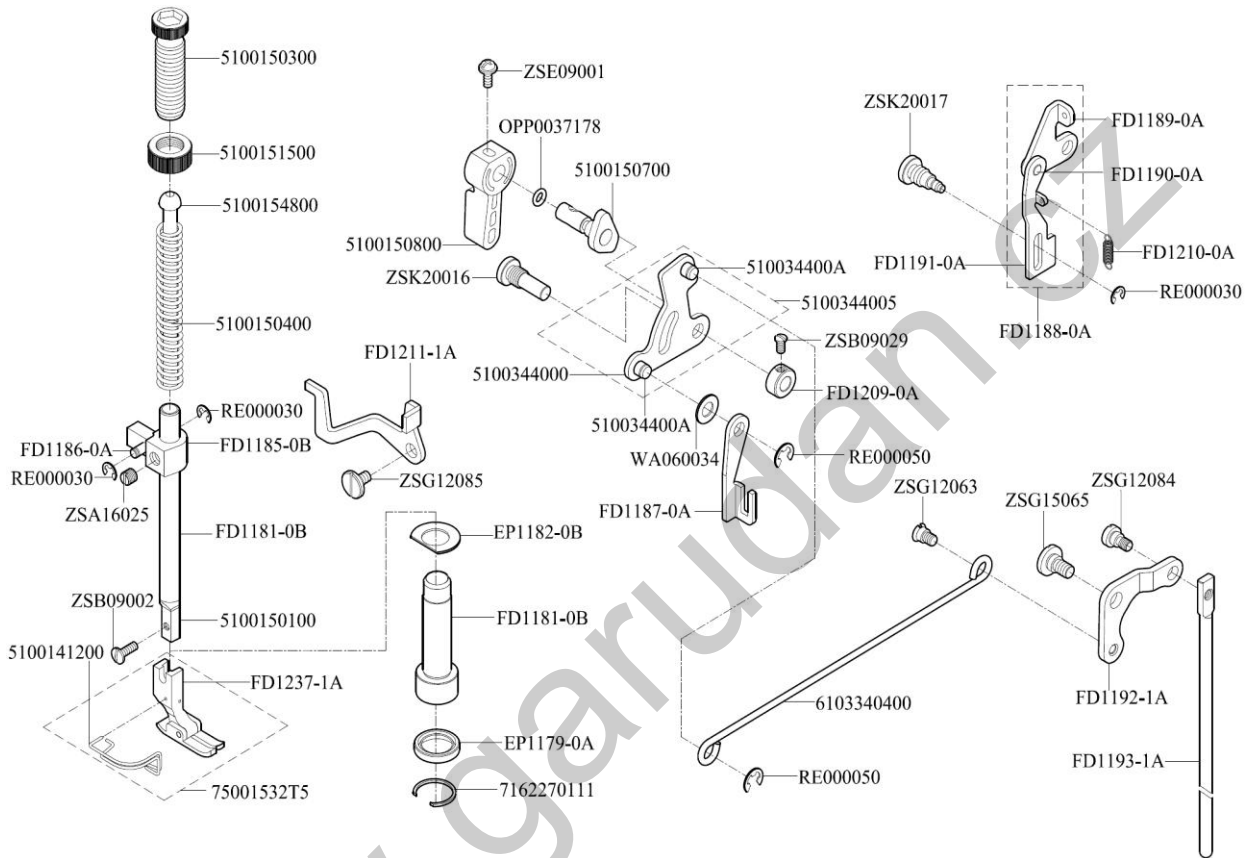
B. MAIN SHAFT THREAD TAKE-UP LEVER MECHANISM		
Parts No.	Name of Parts	QTY
5100120100	Main Shaft	1
5100120500	Oil Seal	1
51001208L0	Counter Weight	1
51001220H4	Feed Drive Eccentric Cam	1
51001220H6	Feed Drive Eccentric Cam	1
51001213L0	Needle Bar Crank	1
5100122100	Thrust Collar	1
5100122600	Thrust Collar Asm	1
5100190105	Wiper lever	1
5100190LD5	Wiper lever	1
5100190500	Rubber	1
51001901H6	Thread take-up lever complete	1
51001901L6	Thread take-up lever complete	1
5100192000	Thread take-up lever link	1
5100192200	Oil Thread	1
5100354200	Oil Amount Adjusting Pin	1
5100354300	Oil Adjusting Collar	1
51006020T5	Dynamo Stator	1
51001204T0	Main Shaft Bushing,Rear	1
51001223T5	Flywheel Asm	1
51006024T5	Magnet Fitting Base A Asm	1
51006024T6	Magnet Fitting Base B Asm	1
51006027T0	Magnet C	1
BN081208	Roller Bearing	2
FD1061-0A	Thread Take-up Crank Shaft Asm	1
FD1067-0D	Needle Bar Crank Rod	1
FD1101-0A	Front Bushing	1
FD1102-0A	Intermediate Bushing	1
FD1103-0A	Joint	1
OPP0029178	Rubber Ring	1
OPP0044240	Rubber Ring	1
RB200200	Snap Ring	1
RU010100	Clip	1
WA049003	Washer	2
XB106001	Roller Felt	1
ZME05001	Screw (M5-0.8×9.3)	2
ZSA15010	Screw (15/64-28×13)	2
ZSA15037	Screw (15/64-28×8.5)	1
ZSA16025	Screw (1/4-40×6)	4
ZSA18002	Screw (9/32-28×11.5)	1
ZSB09014	Screw (9/64-40×6)	2
ZSB11076	Screw (11/64-40×12)	2
ZSB16031	Screw (1/4-40×11)	2
ZSB18011	Screw (9/32-28×11)	1
ZSK09005	Screw (9/64-40×6)	1

C. NEEDLE BAR UPRIGHT SHAFT LOWER SHAFT MECHANISM



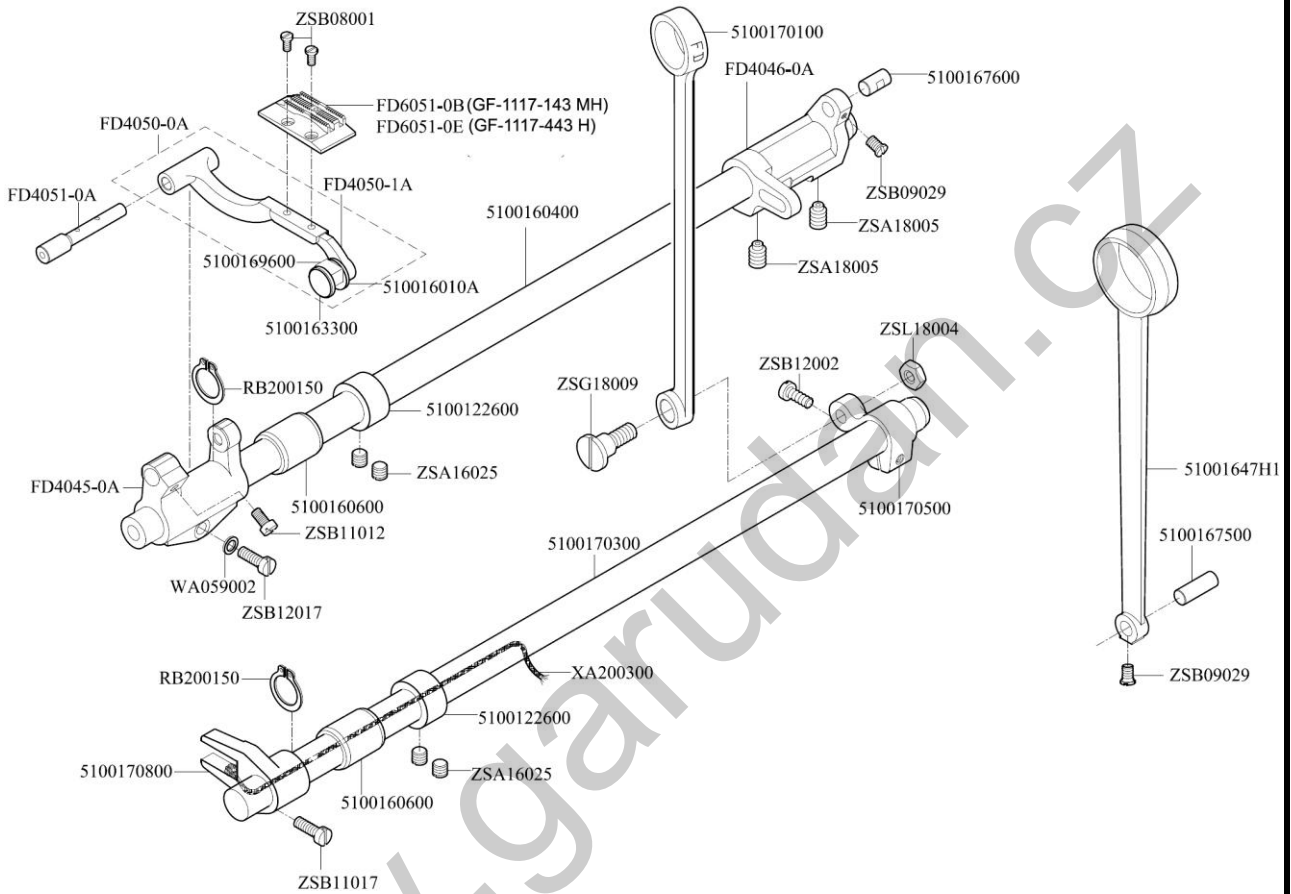
C. NEEDLE BAR UPRIGHT SHAFT LOWER SHAFT MECHANISM		
Parts No.	Name of Parts	QTY
5100132000	Upright Shaft	1
5100132100	Upright Shaft Bushing Upper	1
5100132200	Upright Shaft Bushing Lower	1
5100133000	Gear Asm	1
5100133100	Pinion Asm	1
5100140800	Needle Thread Guide	1
5100140900	Needle Bar Connecting Asm	1
5100180100	Hook Driving Shaft	1
5100180300	Hook Driving Shaft Bush	1
5100180500	Bushubg, Rear	1
5100180600	Gear Asm	1
5100180700	Pinion Asm	1
5100183200	Bobbin	1
5100184900	Thrust Collar Asm	1
5100188200	Thrust Collar Asm	1
5100354400	Oil Seal Screw	1
5100354500	Oil Wick	1
7500185301	Bobbin Case Asm	1
6104185300	Bobbin Case Asm	1
7500185103	Hook Asm	1
6104185100	Hook Asm	1
51001858T0	Bobbin Case Positioning Finger	1
FD1070-0A	Needle Bar	1
FD1077-0A	Rubber Plug	1
FD1082-0A	Slide Block	1
INDB*1#11	Needle	1
ZSA11004	Screw (11/64-40x3,5)	2
ZSA15016	Screw (15/64-28x7)	2
ZSA16022	Screw (1/4-40x7)	8
ZSB08010	Screw (1/8-44x4,6)	1
ZSB09014	Screw (9/64-40x6)	1
ZSB11008	Screw (11/64-40x5)	2
ZSB11026	Screw (11/64-40x10)	1
ZSB12053	Screw (3/16-28x9)	1

D. PRESSER FOOT MECHANISM



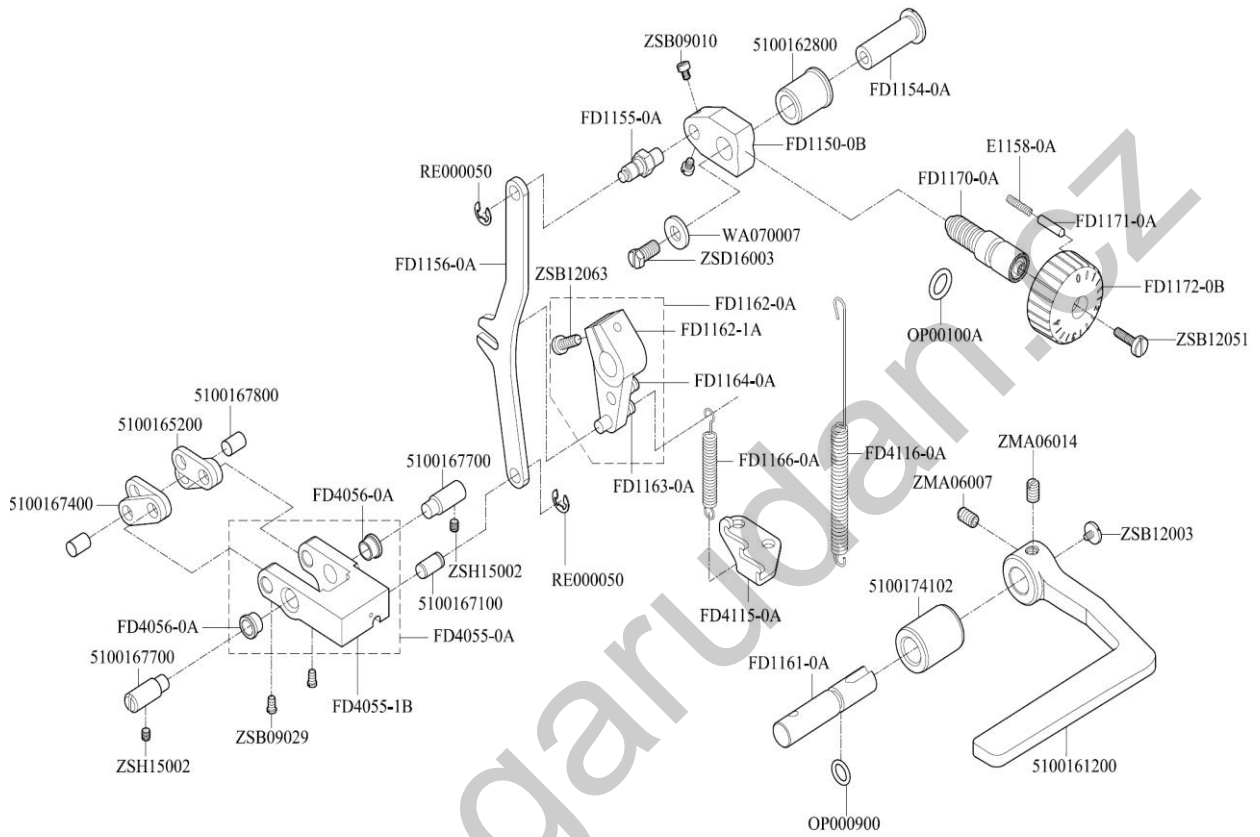
D. PRESSER FOOT MECHANISM		
Parts No.	Name of Parts	QTY
5100141200	Holder	1
5100150100	Presser Bar	1
FD1181-0B	Presser Bar Bushing Lower	1
5100150300	Presser Spring Regulator	1
5100150400	Presser Spring	1
5100150700	Hand Lifter Cam Asm	1
5100150800	Hand Lifter	1
5100151500	Nut	1
5100154800	Presser Guide Bar	1
6103340400	Lifting Lever Connecting Rod	1
5100344000	Hand Lifter Link	1
510034400A	Connecting Pin	2
5100344005	Hand Lifter Link	1
7162270111	C-Ring	1
EP1179-0A	Plug	1
EP1182-0B	Ring	1
FD1185-0B	Needle Bar Guide Bracket Asm	1
FD1186-0A	Pin	1
FD1187-0A	Lifting Lever	1
FD1188-0A	Tension Release Plate Asm	1
FD1189-0A	Tension Release Plate	1
FD1190-0A	Connecting Pin	1
FD1191-0A	Connecting Plate	1
FD1192-1A	Lifting Lever Link	1
FD1193-1A	Connecting Rod	1
FD1209-0A	Thrust Collar Asm	1
FD1210-0A	Spring	1
FD1211-1A	Tension Release Link	1
75001532T5	Presser Foot Asm	1
FD1237-1A	Presser Foot Asm	1
OPP0037178	Rubber Ring	1
RE000030	E-Ring	3
RE000050	E-Ring	2
WA060034	Washer	1
ZSA16025	Screw (1/4-40×6)	1
ZSB09002	Screw (9/64-40×10)	1
ZSB09029	Screw (9/64-40×6)	1
ZSE09001	Screw (9/64-40×9.6)	1
ZSG12063	Screw (3/16-32×4)	1
ZSG12084	Screw (3/16-32×4.7)	1
ZSG12085	Screw (3/16-32×4.1)	1
ZSG15065	Screw (15/64-28×6.5)	1
ZSK20016	Screw (1/4-40×6)	1
ZSK20017	Screw (1/4-40×5.5)	1

E. FEED MECHANISM



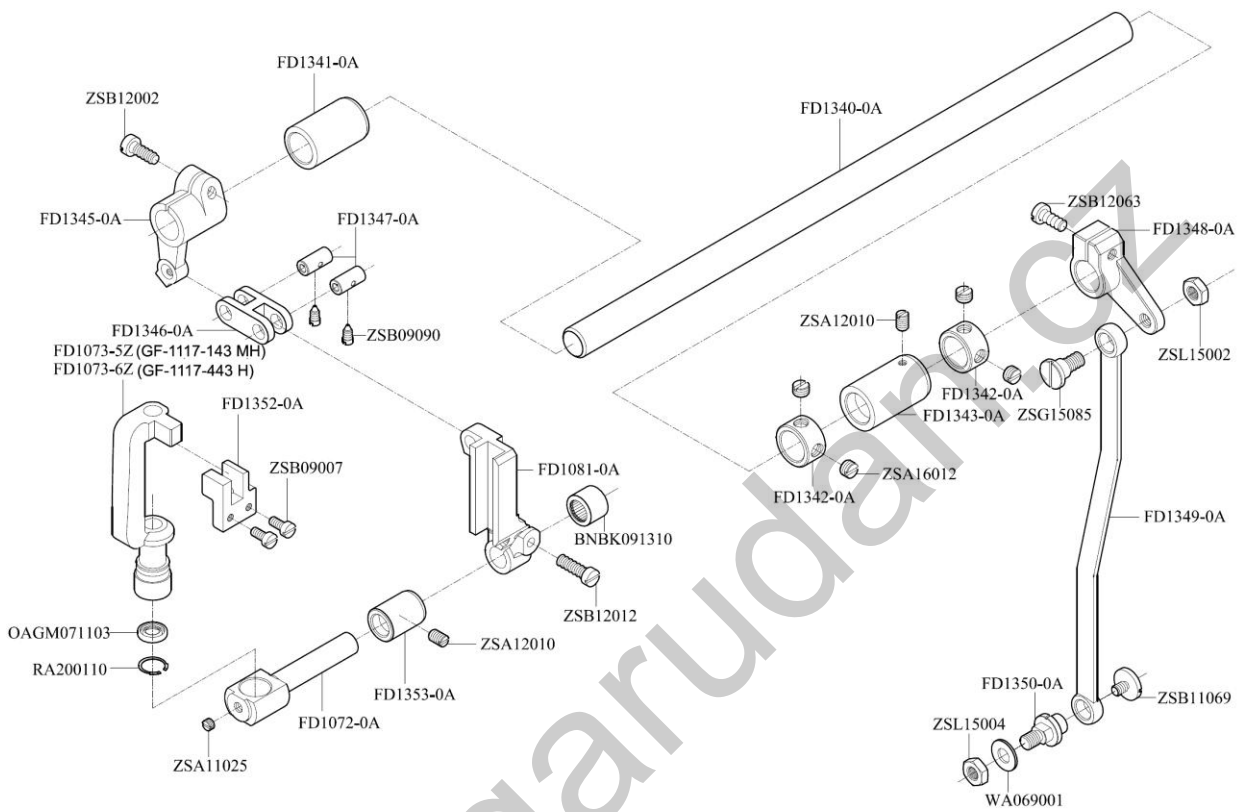
E. FEED MECHANISM		
Parts No.	Name of Parts	QTY.
5100122600	Thrust Collar Asm	2
5100160400	Feed Rocker Shaft	1
5100160600	Shaft Bushing	2
5100163300	Shaft	1
5100167500	Walking Foot Pin	1
5100167600	Walking Foot Pin	1
5100169600	Slide Block	1
5100170100	Connecting Rod	1
5100170300	Feed Driving Shaft	1
5100170500	Feed Arm Compl	1
5100170800	Driving Shaft Crank Asm	1
510016010A	Washer	1
51001647H1	Rocker Shaft Connecting Rod	1
FD4045-0A	Feed Rocker Asm	1
FD4046-0A	Feed Rocker Shaft Crank	1
FD4050-0A	Feed Base Asm	1
FD4050-1A	Feed Bar	1
FD4051-0A	Feed Bar Shaft	1
FD6051-0B	Feed Dog	1
FD6051-0E	Feed Dog	1
RB200150	Retaining Ring	2
WA059002	Washer	1
XA200300	Oil Wick	1
ZSA16025	Screw (1/4-40×6)	4
ZSA18005	Screw (9/32-28×9)	2
ZSB08001	Screw (1/8-44×6)	2
ZSB09029	Screw (9/64-40×6)	2
ZSB11012	Screw (11/64-40×8)	1
ZSB11017	Screw (11/64-40×12)	1
ZSB12002	Screw (3/16-28×12)	1
ZSB12017	Screw (3/16-28×15)	1
ZSG18009	Screw (9/32-28×12.7)	1
ZSL18004	Nut(9/32-28)	1

F. FEED CONTROL MECHANISM



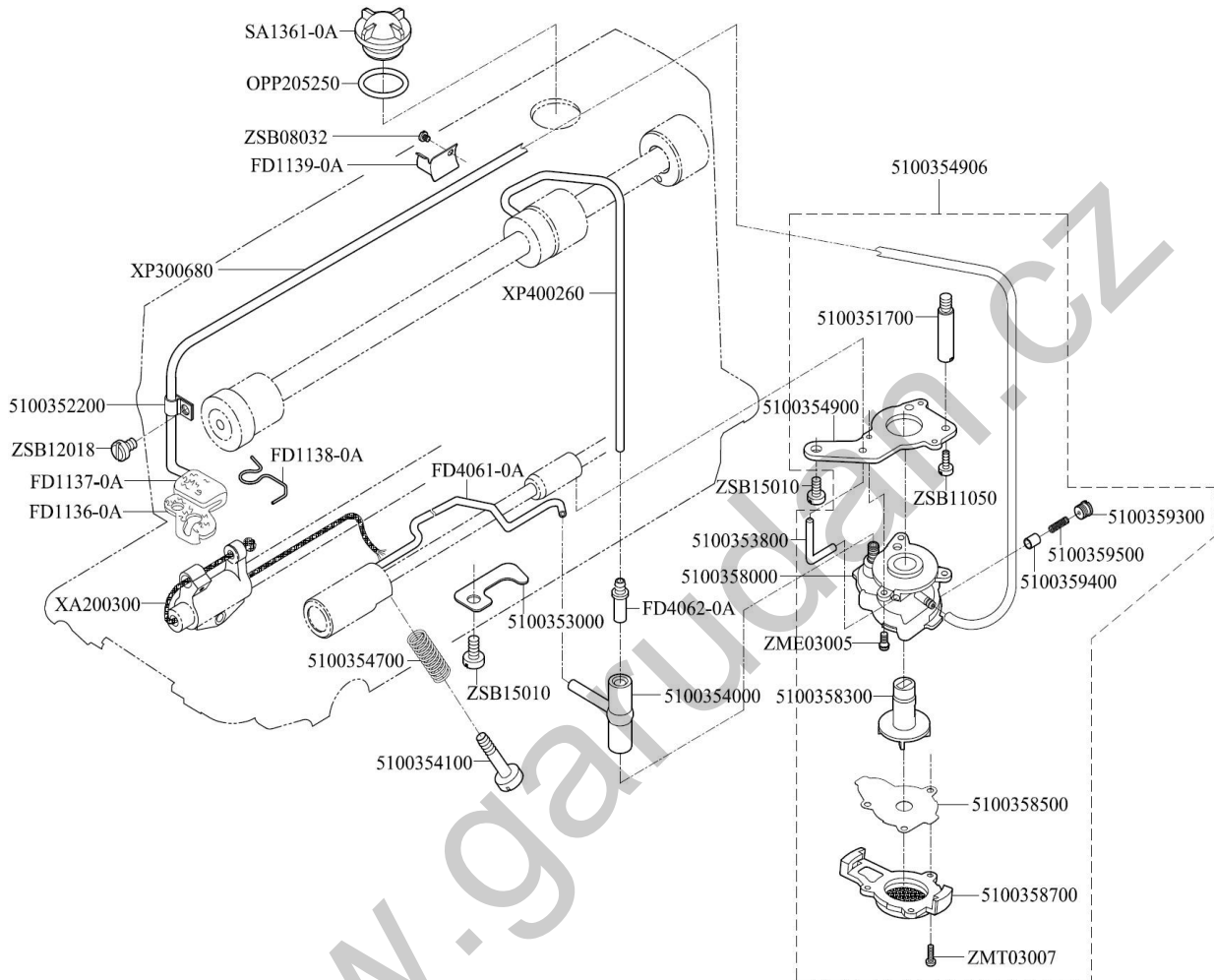
F. FEED CONTROL MECHANISM		
Parts No.	Name of Parts	QTY
5100161200	Feed Lever Asm	1
5100162800	Feed Regulator Bushing	1
5100165200	Connecting Link	2
5100167100	Pin	1
5100167400	Connecting Link	2
5100167700	Adjusting Link Fulcrum Shaft	2
5100167800	Walking Foot Pin	2
5100174102	Feed Lever Metal	1
E1158-0A	Feed Regulator Pin Spring	1
FD1150-0B	Feed Regulator Bushing	1
FD1154-0A	Feed Regulator Shaft	1
FD1155-0A	Pin	1
FD1156-0A	Feed Adjust Rod	1
FD1161-0A	Feed Reverse Shaft	1
FD1162-0A	Feed Reverse Arm Asm	1
FD1162-1A	Feed Reverse Arm	1
FD1163-0A	Pin	1
FD1164-0A	Pin	1
FD1166-0A	Spring	1
FD1170-0A	Feed Regulator Screw	1
FD1171-0A	Pin	1
FD1172-0B	Feed Dial	1
FD4055-0A	Feed Adjust Link Asm	1
FD4055-1A	Holder	1
FD4056-0A	Holder	2
FD4115-0A	Feed Spring Hook	1
FD4116-0A	Spring	1
OP000900	Rubber Ring	1
OP00100A	Rubber Ring	1
RE000050	E-Ring	2
WA070007	Washer	1
ZMA06007	Screw (M6-1.0×9.5)	1
ZMA06014	Screw (M6-1.0×10)	1
ZSB09010	Screw (9/64-40×4.5)	2
ZSB09029	Screw (9/64-40×6)	2
ZSB12003	Screw (3/16-32×6.5)	1
ZSB12051	Screw (3/16-28×18)	1
ZSB12063	Screw (3/16-28×14)	1
ZSD16003	Screw (1/4-40×12)	1
ZSH15002	Screw (15/64-28×8)	2

G. NEEDLE FEED MECHANISM



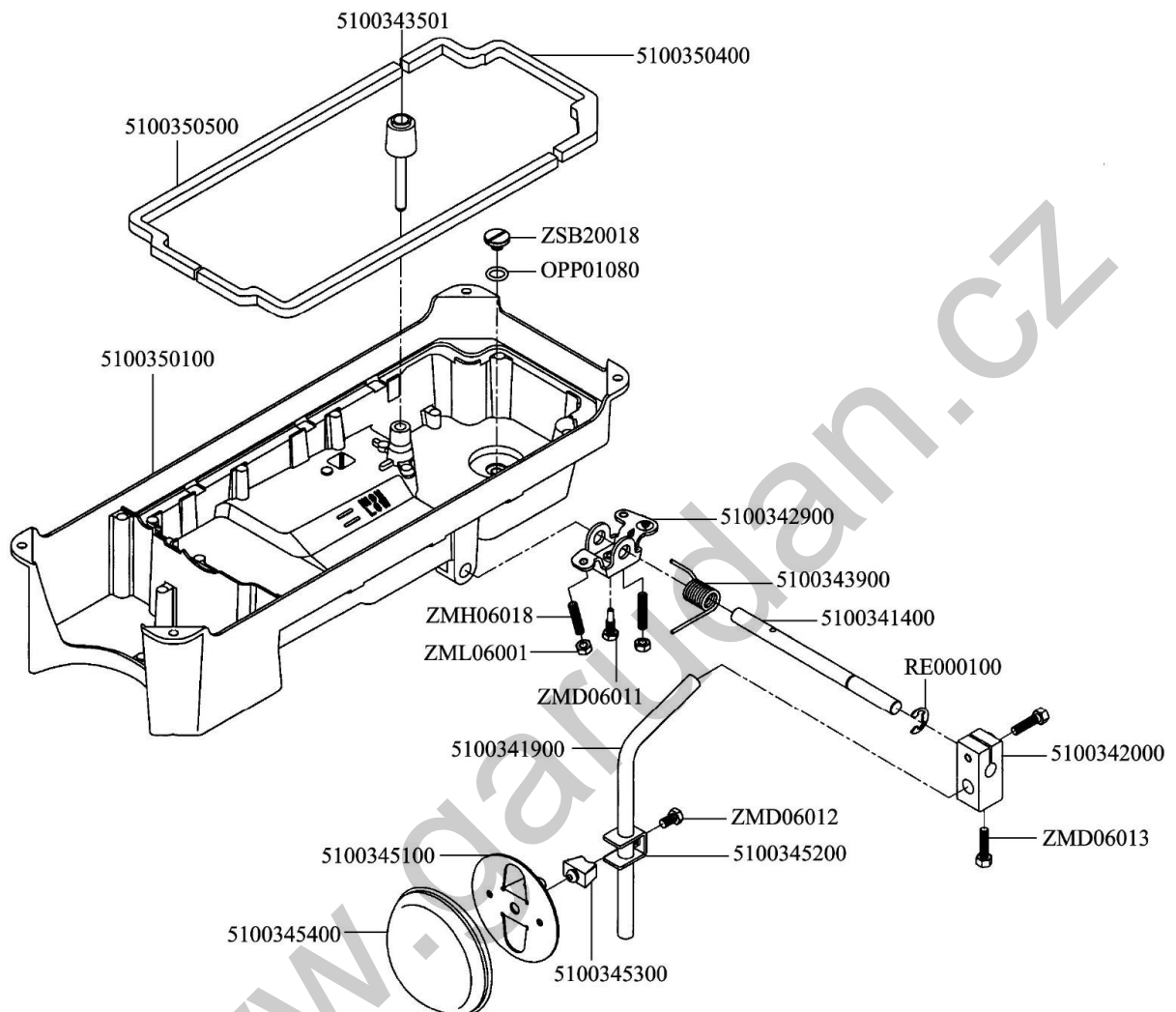
G. NEEDLE FEED MECHANISM		
Parts No.	Name of Parts	QTY
BNBK091310	Roller Bearing	1
FD1072-0A	Needle Rod Rocking Base Shaft	1
FD1073-5Z	Bracket	1
FD1073-6Z	Bracket	1
FD1081-0A	Slide Block Guide	1
FD1340-0A	Connecting Shaft	1
FD1341-0A	Rock Shaft Bushing Front	1
FD1342-0A	Thrust Collar Asm	2
FD1343-0A	Rock Shaft Bushing Rear-	1
FD1345-0A	Driving Crank Front	1
FD1346-0A	Driving Link	1
FD1347-0A	Needle Bar Link Pin	2
FD1348-0A	Shaft Arm Asm (Rear)	1
FD1349-0A	Connecting Rod	1
FD1350-0A	Connecting Rod Shaft	1
FD1352-0A	Needle Bar Frame Guide	1
FD1353-0A	Bushing	1
OAGM071103	Oil Seal	1
RA200110	Ring	1
WA069001	Washer	1
ZSA11025	Screw (11/64-40×2.7)	1
ZSA12010	Screw (3/16-28×7)	2
ZSA16012	Screw (1/4-40×4)	4
ZSB09007	Screw (9/64-40×7.5)	2
ZSB09090	Screw (9/64-40×3.8)	2
ZSB11069	Screw (11/64-40×5)	1
ZSB12002	Screw (3/16-28×12)	1
ZSB12012	Screw (3/16-28×15)	1
ZSB12063	Screw (3/16-28×14)	1
ZSG15085	Screw (15/64-28×7.5)	1
ZSL15002	Nut(15/64-28)	1
ZSL15004	Nut(15/64-28)	1

H. OIL LUBRICATION MECHANISM



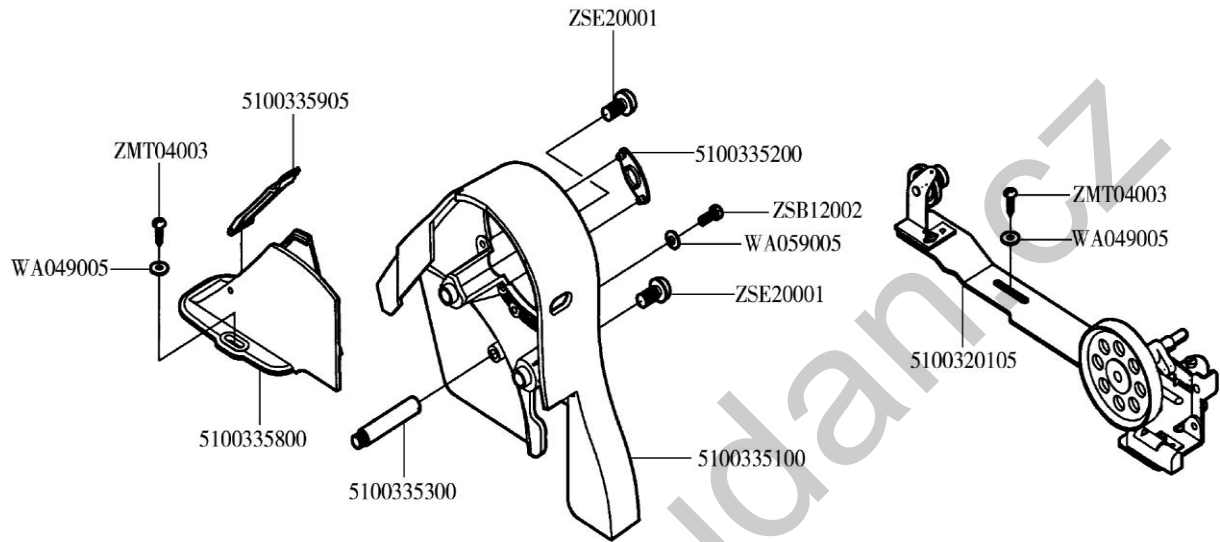
H. OIL LUBRICATION MECHANISM		
Parts No.	Name of Parts	QTY
5100351700	Oil Pump Support	1
5100352200	Holder	1
5100353000	Pipe Holder Lower	1
5100353800	Hook Driving Shaft Oil Tube	1
5100354000	Rubber Joint	1
5100354100	Oil Adjusting Screw	1
5100354700	Oil Regulator Screw Spring	1
5100354900	Oil Pump Installing Base	1
5100358000	Oil Pump	1
5100358300	Oil Pump Impeller	1
5100358500	Oil Pump Impeller Cover	1
5100358700	Lubricating Oil Pump Cover	1
5100359300	Plunger Screw	1
5100359400	Plunger	1
5100359500	Plunger Spring	1
SA1361-0A	Oil Sight Window	1
XP300680	Oil Tube	1
XP400260	Oil Tube	1
FD1136-0A	Oil Felt	1
FD1137-0A	Oil Felt	1
FD1138-0A	Oil Felt Presser	1
FD1139-0A	Holder	1
FD4061-0A	Oil Wick Asm	1
FD4062-0A	Oil Tube Joint	1
OPP205250	Rubber Ring	1
XA200300	Oil Wick	1
ZME03005	Screw (M3-0.5×7.5)	3
ZMT03007	Screw (M3-10×10)	3
ZSB08032	Screw (1/8-44×3)	1
ZSB11050	Screw (11/64-40×10.5)	1
ZSB12018	Screw (3/16-28×6)	1
ZSB15010	Screw (15/64-28×10)	2

I. ACCESSORIES (1/3)



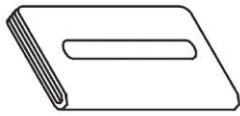
I. ACCESSORIES (1/3)		
Parts No.	Name of Parts	QTY
5100341400	Knee Press Cross Shaft	1
5100341900	Knee Lifter Plate Rod	1
5100342000	Bracket	1
5100342900	Knee Lifter Rotation Arm	1
5100343501	Knee Press Lifter Rod	1
5100343900	Spring	1
5100345100	Knee Press Plate	1
5100345200	Knee Press Plate Holder	1
5100345300	Rubber	1
5100345400	Knee Press Plate Cover	1
5100350100	Oil Reservoir	1
5100350400	Oil Reservoir Rubber Cushion	1
5100350500	Oil Reservoir Rubber Cushion	2
OPP01080	Rubber Ring	1
RE000100	E-Ring	1
ZMD06011	Screw (M6-1.0×10)	1
ZMD06012	Screw (M6-1.0×11.6)	1
ZMD06013	Screw (M6-1.0×21)	2
ZMH06018	Screw (M6-1.0×30)	2
ZML06001	Nut (M6-1.0)	2
ZSB20018	Screw (5/16-24×7)	1

I. ACCESSORIES (2/3)



I. ACCESSORIES (2/3)		
Parts No.	Name of Parts	QTY
5100320105	Bobbin Winder Compl	1
5100335100	Belt Cover A	1
5100335200	Belt Cover A Cap	1
5100335300	Belt Cover Support A	1
5100335800	Belt Cover B	1
5100335905	Belt Cover B Cap Asm	1
WA049005	Washer	4
WA059005	Washer	1
ZMT04003	Wood Screw	4
ZSB12002	Screw (3/16-28×12)	1
ZSE20001	Screw (5/16-24×15)	2

I. ACCESSORIES (3/3)



B7001-0A



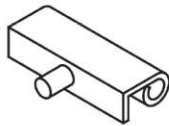
A7012-2A



5100911601



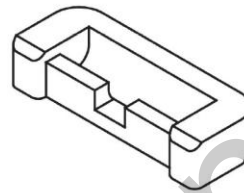
5100911501



5100911700



INDB*1#11



5100911900



A7011-0A



EJ4108-0A



A7010-1A



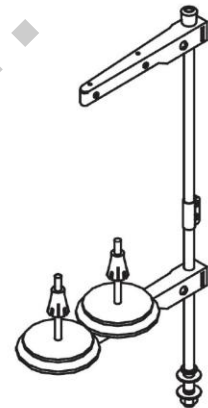
A7010-0A



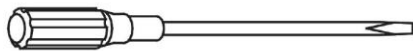
5100183200



A7025-0A



J7050-0A



A7010-2A

I. ACCESSORIES (3/3)		
Parts No.	Name of Parts	QTY
5100119000	Support	1
5100183200	Bobbin	4
5100911501	Oil Reservoir Rubber Cushion	2
5100911601	Oil Reservoir Rubber Cushion	2
5100911700	Button	2
A7025-0A	Button Bracket	2
A7010-0A	Screw Driver (Small)	1
A7010-1A	Screw Driver (Medium)	1
A7010-2A	Screw Driver (Large)	1
A7011-0A	Nail	8
A7012-2A	Oiler (Large)	1
B7001-0A	Vinyl Cover	1
EJ4108-0A	Magnet	1
INDB*1#11	Needle	4
J7050-0A	Thread Stand	1

www.garudan.cz