

User Manual

GARUDAN[®]

GPS-1811 series



ANITA B, s.r.o.

Hliníky 2068

680 01 Boskovice

Czech Republic

fax: +420 516452751

tel: +420 516454774,516453496

e-mail: info@anita.cz

GPS / B - 18 11 - HS - 20

Garudan
Pattern
Sewing

Series
B: Direct Drive Type

Sewing area

(X) x 180mm

(Y) x 110mm

Feeding Frame Type

Stitch Type

Material Type

- Material Type
 - G : General material
 - H : Heavy material
- Stitch Type
 - S : Standard stitch
 - P : Perfect stitch
- Feeding Frame Type

20 : Pneumatic monolithic feeding frame

21 : Pneumatic monolithic feeding frame with two step stroke device

22 : Pneumatic separately-driven feeding frame

CONTENT

| | |
|---|-----------|
| 1. Safety Rules for Machine | 6 |
| 2. Specifications of Machine | 9 |
| 3. Structure of Machine | 10 |
| 1) Name of Each Part of Machine | 10 |
| 2) Inside Structure of ControlBox | 11 |
| 4. Installation of Machine | 12 |
| 1) Environment for Machine Installation | 12 |
| 2) Environment for Electricity Installation | 12 |
| 3) Assembly of Peripheral Construction Parts | 12 |
| 5. Preparation Before Operating the Machine | 15 |
| 1) How to Supply Oil | 15 |
| 2) How to Install the Needle Bar | 16 |
| 3) How to Thread the Upper Thread | 17 |
| 4) Threading the Lower Thread | 17 |
| 5) How to Take the Bobbin Case On and Off | 17 |
| 6) How to Adjust the Tension of the Upper Thread and the Lower Thread | 18 |
| 7) How to Wind the Lower Thread | 18 |
| 8) Adjusting the Height of the Presser Foot | 19 |
| 9) Disposing the Waste Oil | 19 |
| 10) How to Adjust the Air Pressure | 19 |
| 11) Adjusting the Speed for Ascension and Descent of Upper Feed Plate | 20 |
| 12) Standing the Sewing Machine | 20 |
| 13) Setting the Voltage | 21 |
| 14) Caution When Using the Floppy Disks | 24 |
| 6. How to Repair the Machine | 25 |
| 1) Adjusting the Height the Needle Bar | 25 |
| 2) Adjusting the Needle and the Shuttle | 25 |
| 3) Adjusting the Lower Shaft Gear and the Rocking Shaft Gear | 26 |
| 4) Adjusting the Spring on the Upper Side of the Shuttle | 26 |
| 5) Adjusting the Height of the Feed Plate | 27 |
| 6) Adjusting the Presser Foot Devices | 27 |
| 7) Adjusting the Presser Foot Lifter Cylinder | 29 |
| 8) Adjusting Accessories for Thread Delay | 29 |
| 9) Adjusting Accessories for the Wiper | 31 |
| 10) Adjusting the Trimming Parts | 32 |
| 11) Adjusting the Main Thread Control Device | 35 |
| 12) Adjusting the upper thread Detecting Devices | 35 |
| 13) Adjusting the Hand Pulley Device | 35 |
| 14) Adjusting the Winding Device | 36 |
| 15) Mounting the Direct Motor and Adjusting Method | 36 |

| | |
|--|-----------|
| 16) Adjusting the Height of Needle Plate Support Cover | 37 |
| 17) Adjusting the Height of Slider | 37 |
| 18) Adjusting the Upper Under stroke of Feed Plate | 38 |
| 19) Adjusting the X-Guide Bracket | 38 |
| 20) Adjusting the Under Feed Plate | 39 |
| 21) Adjusting the Tension of X-Timing Belt | 39 |
| 22) Setting the X-Y Origin | 40 |
| 23) Adjusting the Position of Plastic Blank | 41 |
| 24) Air System Circuit Diagram (GPS/B-1811-□□-20) | 42 |
| 7. Cause of Break-Down and Troubleshooting | 43 |
| 8. GPS/B-1811-HS-21 | 45 |
| 1) Specification | 45 |
| 2) Adjusting the Initial Position of Two-Step Stroke air Cylnder | 45 |
| 3) Adjusting the Middle Stop Position of Upper Feed Plate | 45 |
| 4) Adjusting the Speed for Ascension and Descent of Upper Feed Plate | 46 |
| 5) How to Use the Pedal Switch | 46 |
| 6) Air System Circuit Diagram(GPS/B-1811-HS-21) | 47 |
| 9. GPS/B-1811-HS-22 | 48 |
| 1) Specification | 48 |
| 2) Adjusting the Angle of Upper Feed Plate(Both Right and Left) | 48 |
| 3) Adjusting the Initial Position of Air Cyliner | 48 |
| 4) Adjusting the Middle Stop Position of the Left Upper Feed Plate | 48 |
| 5) Adjusting the Speed for Ascension and Descent of Upper Feed Plate | 49 |
| 6) How to Use the Pedal Switch | 49 |
| 7) Air System Circuit Diagram (GPS/B-1811-HS-22) | 51 |
| 10. GPS/B-1811-GS-20 (21,22) | 52 |
| 1) Machine Sepecifications | 52 |
| 2) How to Hook the Upper Thread | 52 |
| 11. GPS/B-1811-HP(GP)- □□ | 53 |
| 1) Specifications | 53 |
| 2) How to Attach the Needle | 54 |
| 3) How to Hook the Upper Thread | 54 |
| 4) How to Hook the Lower Thread | 54 |
| 5) Adjusting the Spring on the upper Side of the Shuttle | 55 |
| 6) Adjusting the Moving Knife and the Fixed Knife | 55 |
| 12. Drawing of Table | 56 |

MACHINE SAFETY REGULATIONS




Safety instruction on this manual are defined as Danger, Warning and Notice.

If you do not keep the instructions, physical injury on the human body and machine damage might be occurred.

Danger : This indication should be observed definitely. If not, danger could be happen during the installation, conveyance and maintenance of machines.

Warning : When you keep this indication, injury from the machine can be prevented.

Notice : When you keep this indication, error on the machine can be prevented.

| | |
|---|--|
| <p>1-1) Machine Transportation</p>  | <p>Those in charge of transporting the machine should know the safety regulations very well. The following indications should be followed when the machine is being transported.</p> <ul style="list-style-type: none"> Ⓐ More than 2 people must transport the machine. Ⓑ To prevent accidents from occurring during transportation, wipe off the oil on the machine well. |
| <p>1-2) Machine Installation</p>  | <p>The machine may not work well or breakdown if installed in certain places, Install the machine where the following qualifications agree.</p> <ul style="list-style-type: none"> Ⓐ Remove the package and wrappings starting from the top. Take special notice on the nails on the wooden boxes. Ⓑ Dust and moisture stains and rusts the machine. Install an airconditioner and clean the machine regularly. Ⓒ Keep the machine out of the sun. Ⓓ Leave sufficient space of more than 50cm behind, and on the right and left side of the machine for repairing. Ⓔ Do not operate in explosive atmospheres. To avoid explosion, do not operate this machine in an explosive atmosphere including a place where quantities of aerosol spray product are being used or where oxygen is being administered unless it has been specifically certified for such operation. Ⓕ The machines were not provided with a local lighting due to the feature of machine. Therefore the illumination of the working area must be fulfilled by end user. <p>[Reference] Details for machine installment are described in 4. Machine Installation</p> |
| <p>1-3) Machine Repair</p>  | <p>When the machine needs to be repaired, only the assigned troubleshooting engineer educated at the company should take charge.</p> <ul style="list-style-type: none"> Ⓐ Before cleaning or repairing the machine, close down the motive power and wait 4 minutes till the machine is completely out of power. Ⓑ Not any of the machine specifications or parts should be changed without consulting the company. Such changes may make the operation dangerous. Ⓒ Spare parts produced by the company should only be used for replacements. Ⓓ Put all the safety covers back on after the machine has been repaired. |

1-4) Machine Operation



GPS/B - 1811 Series are made for industrial use to perform pattern sewing for fabrics or its similar materials. Please observe the following principles.

- ㉓ Read the manual to understand on the operation of machine perfectly.
- ㉔ Wear suitable clothes and cap for safe operation.
- ㉕ During operation, don't make you body close to operating part of machine such as needle, hook, take-up lever or pulley.
- ㉖ Do not remove a safety plate and covers during operation
- ㉗ Be sure the grounding lines in connected.
- ㉘ Before opening electricity box such as control box, cut off the supply of electricity and confirm if the switch is "off" .
- ㉙ When inserting thread into a needle or before inspecting after sewing, be sure the machine is stopped.
- ㉚ Do not turn on the power during pedaling.
- ㉛ Do not use several motor per a electric outlet.
- ㉜ Install the machine apart from noise occurrence area such as high frequency welding machines as far as possible.
- ㉝ Be careful-When the upper feed plate comes down to press. Otherwise, the finger or hand might be hurt at smacking.

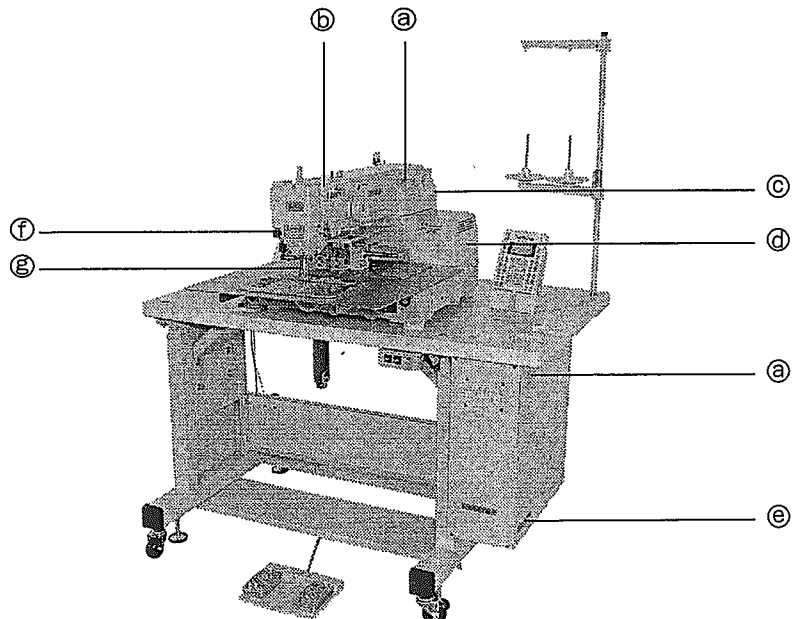
[Warning]

Belt will crush or amputate finger or hand, keep cover in place before operating, turn off power before inspecting or adjusting.

1-5) Devices for Safety



- ㉓ Safety label : It describes cautions during operating the machine.
- ㉔ Thread take-up lever : It prevents from any contact between body and take-up lever.
- ㉕ Servo motor cover : It prevents from insertion of hands, feet or clothes by motor and Y-drive shaft.
- ㉖ Step motor cover : It prevents from accidents during rotation of step motors.
- ㉗ Label for specification of power : It describes cautions for safety to protect against electric shock during rotating the motors.
- ㉘ Safety plate : It protects eyes against needle breaks.
- ㉙ Finger guard : It prevent from contacts between a finger and needle.





1-6) Caution Mark Position

Caution mark is attached on the machine for safety.
When you operate the machine, observe the directions on the mark.



Position of Warning Mark
[View from the right-front]

CAUTION

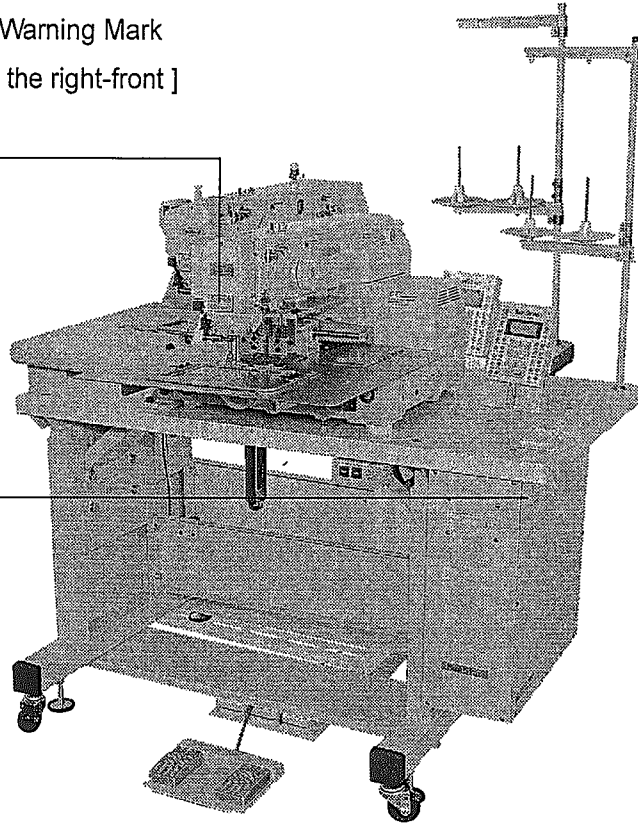



Do not operate without finger guard and safety devices. Before threading, changing bobbin and needle, cleaning etc. switch off main switch.

CAUTION

Hazardous voltage will cause injury. Be sure to wait at least 360 seconds before opening this cover after turn off main switch and unplug a power cord.





1-7) Contents of Marks

Caution



1)



CAUTION

Do not operate without finger guard and safety devices. Before threading, changing bobbin and needle, cleaning etc. switch off main switch.

2)

CAUTION

Hazardous voltage will cause injury. Be sure to wait at least 360 seconds before opening this cover after turn off main switch and unplug a power cord.

2

SPECIFICATIONS OF THE MACHINE

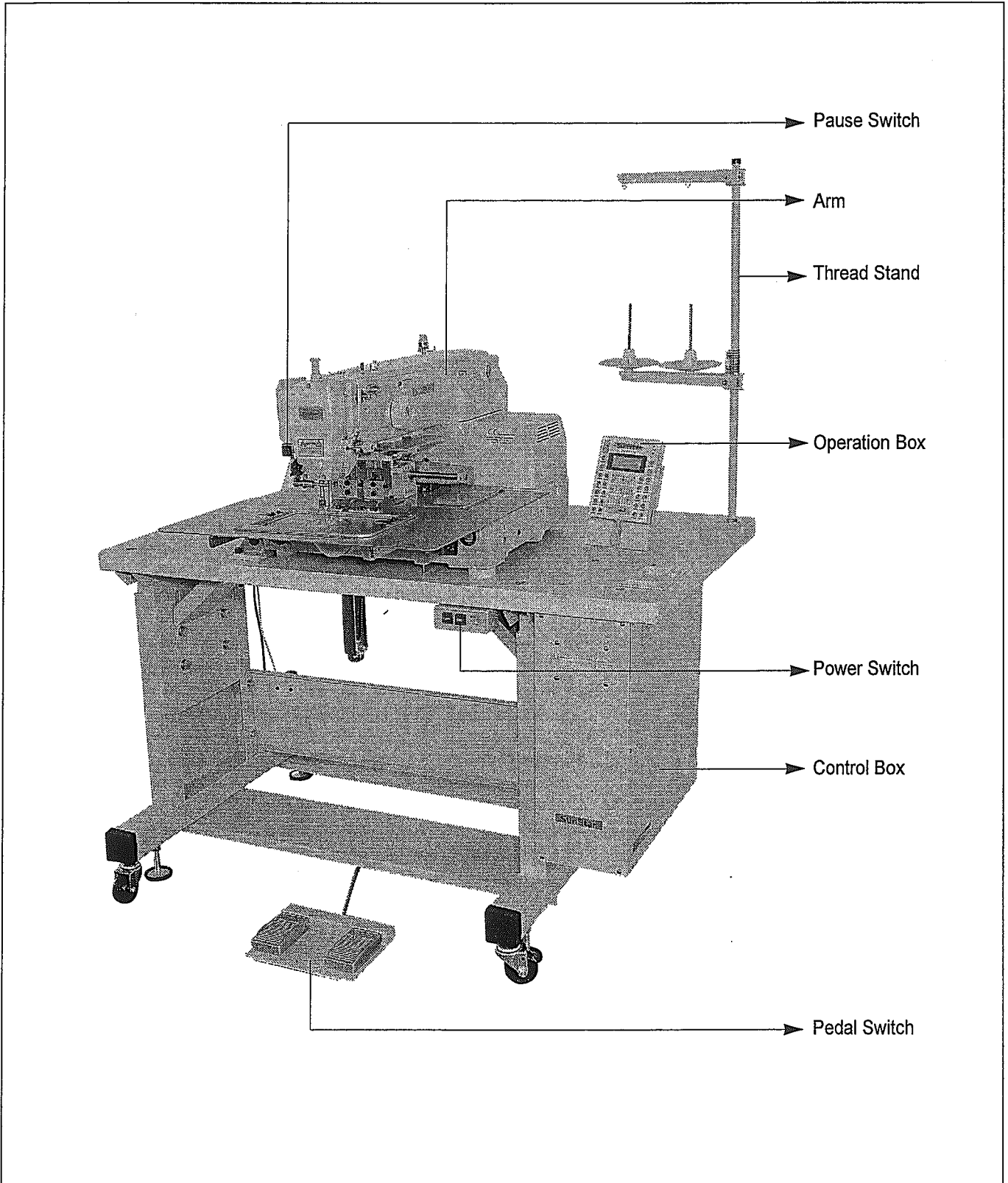
| | |
|---------------------------------|---|
| Sewing Area | X × Y :180mm × 110mm |
| Sewing Speed | Max. 2000spm(Stitch Length:3mm or less) |
| Stitch Length | 0.1~12.7mm |
| Needle | DP × 17, DP × 5 |
| Needle Bar Stroke | 41.2mm |
| Hook | Semi-Rotary Large Shuttle Hook |
| Bobbin Case | Bobbin Case for Semi-Rotary Large Shuttle Hook |
| Bobbin | Bobbin for Large Shuttle Hook |
| Presser Foot Stroke | Standard 4mm[0.5~10mm] |
| Lifting Amount of Presser Foot | Max. 20mm |
| Lifting Amount of Feeding Frame | 25mm [Max. 30mm] |
| Feeding System | Feeding by Pulse Motor |
| Emergency Stop Function | Available During Sewing Operation |
| Pattern Select Function | Pattern No. can be Selected From No.1 to No.999 |
| Memory | 3.5" Floppy Diskette. (2HD) |
| Memory Backup | The Working Point is Stored in the Memory when the Machine Stops Abnormally |
| 2nd Origin Function | Another Origin Point can be Set by Using Jog Key |
| Maximum Speed Limit | The Maximum Speed can be Limited from 200 to 2.500spm |
| Number of Patterns | Max. 691 Patterns/Disk |
| Safety Device | Emergency Stop Function, Maximum Speed Limit Function |
| Main Motor | Direct Drive AC Servo Motor |
| Power Consumption | 600VA |
| Recommended Temperature | 5°C~40°C(41°F~104°F) |
| Recommended Humidity | 20%~80% |
| Power | 1 φ : 100~240V, 3 φ : 200~40V, 50/60HZ |
| Airborne Noise Level | L=80.6LAeq |

※ Remark :The Airborne Noise Level given above was measured in accordance with the prEN/ISO10821 with the respective machine operating at maximum speed without any material being positioned.

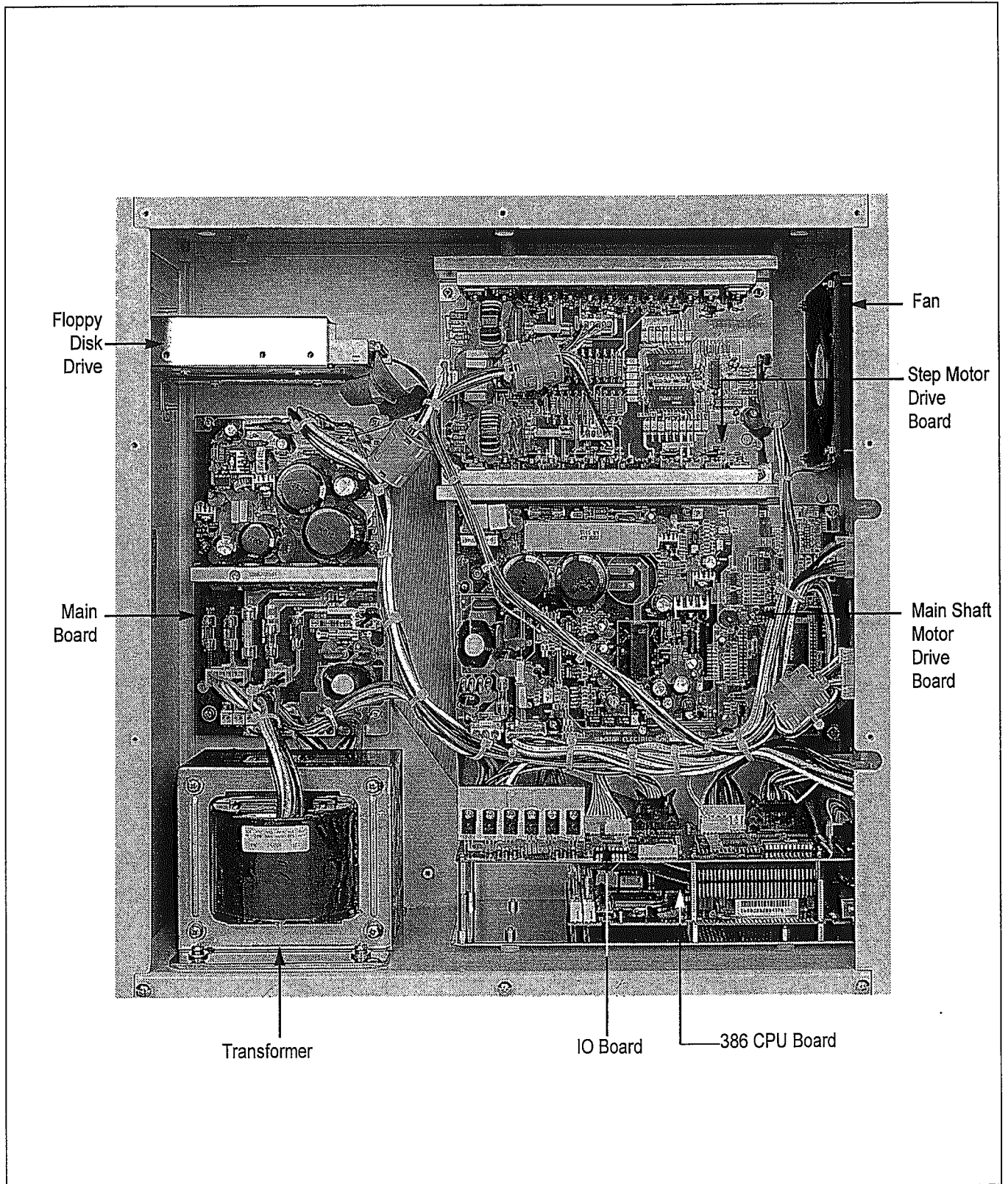
3

STRUCTURE OF THE MACHINE

1) Names of Each Parts of Machine



2) Inside Structure of Control Box



4

INSTALLATION OF THE MACHINE

1) Environment for Machine Installation

- A. Do not use the machine where the voltage is over regular voltage $\pm 10\%$ to prevent accidents.
- B. Check the indicated pressure of the devices that use atmospheric pressure such as the air cylinder to prevent any accidents from occurring.
- C. For safe operation of the machine, use the machine under the following conditions.
 - ⇨ Surrounding Temperature During Operation : $5^{\circ}\text{C}\sim 40^{\circ}\text{C}$ ($40^{\circ}\text{F}\sim 104^{\circ}\text{F}$)
 - ⇨ Surrounding Temperature During Maintenance : $-10^{\circ}\text{C}\sim 60^{\circ}\text{C}$ ($14^{\circ}\text{F}\sim 140^{\circ}\text{F}$)
- D. Humidity : Between 20~80%(Relative humidity)

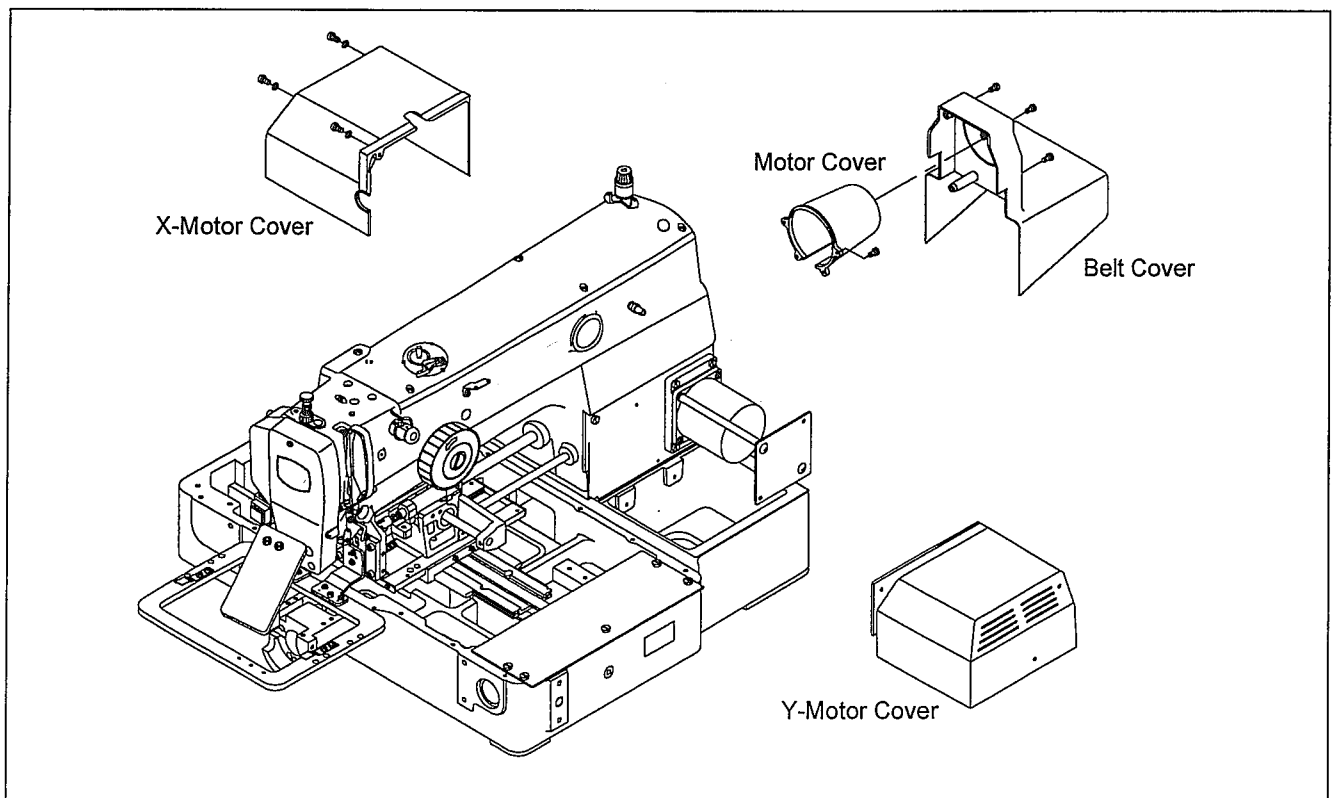
2) Electric Installment Conditions

- A. Power Voltage
 - The power voltage must be between regular voltage $\pm 10\%$.
 - The frequency of the power should be regular frequency ($50/60\text{HZ}$) $\pm 1\%$.
- B. Electromagnetic Wave Noise

Use separate power with strong magnetics or high frequency products, and do not leave the machine near them.
- C. Use low voltage when supplements or accessories are being adhered.
- D. Be careful not to have water or coffee be spilled into the Controller and Motor.
- E. Do not drop the Controller or Motor.

3) Assembly of Peripheral Construction Parts

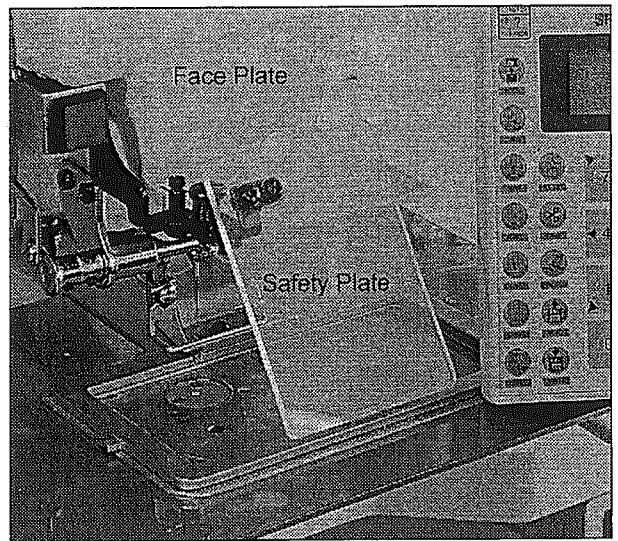
- A. Attach the belt cover, drive shaft cover and motor covers to the back side of machine with using fixing screws.



[Fig. 1]

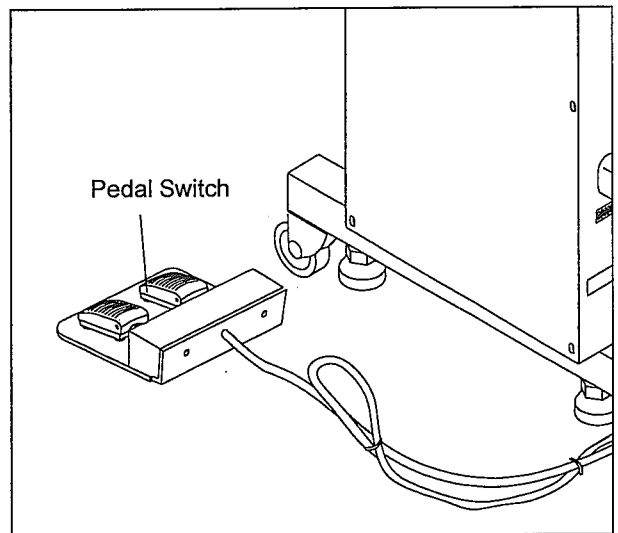
B. Attach the safe plate to the side plate.

- Ⓐ You should attach it for sure to prevent from safe accident.
- Ⓑ Be careful when you start operation. Otherwise, fingers or hand might be hurt at the upper feed plate accidentally.



[Fig. 2]

C. Connect a plug of pedal switch with control box.

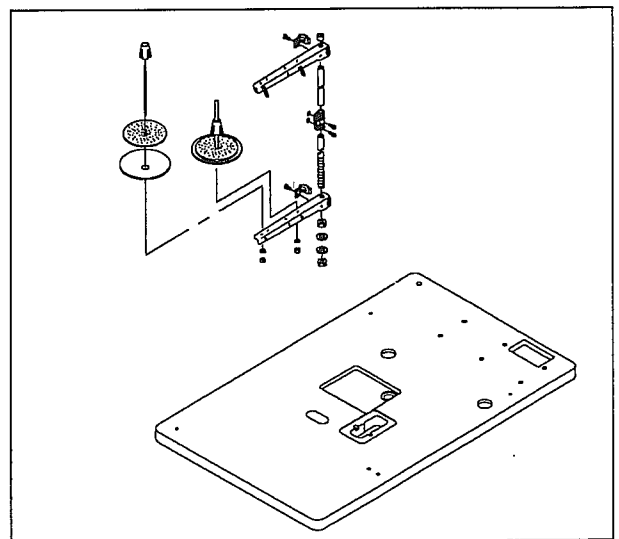


[Fig. 3]

D. Install a bobbin holder on a table.

[Caution]

You can be hurt by the dropping device during installation so be careful about it.

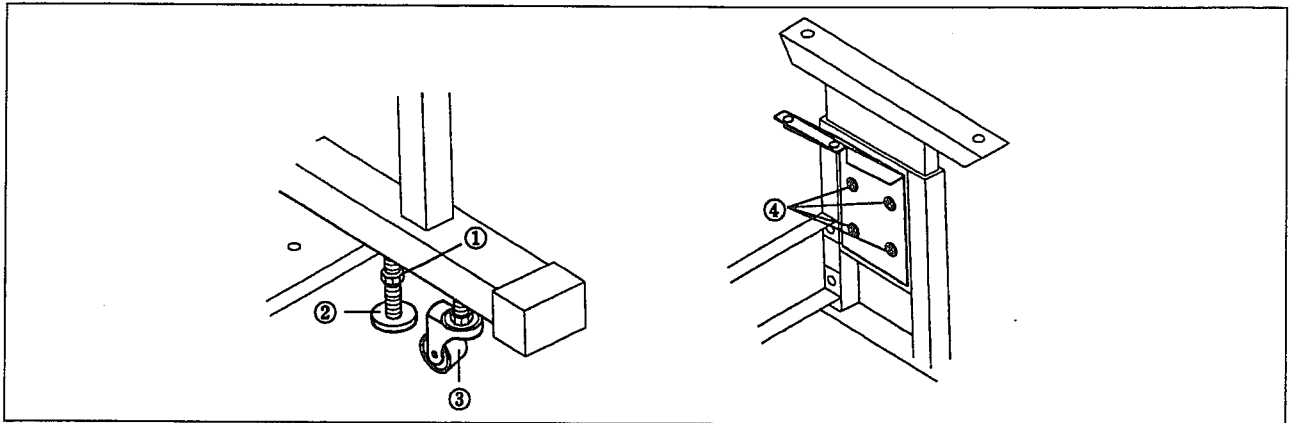


[Fig. 4]

E. Table leg holder

► Method

- Ⓐ Loosening the nut ① and turn and raise the label adjuster ② until the caster ③ is raced.
- Ⓑ After installation, fasten the nut ① and fix the label adjuster ②.
- Ⓒ With the bolt ④, adjust the height of table by loosening 8 different spots.



[Fig. 5]

F. How to attach the accessories for air pressure control.

[Coution]

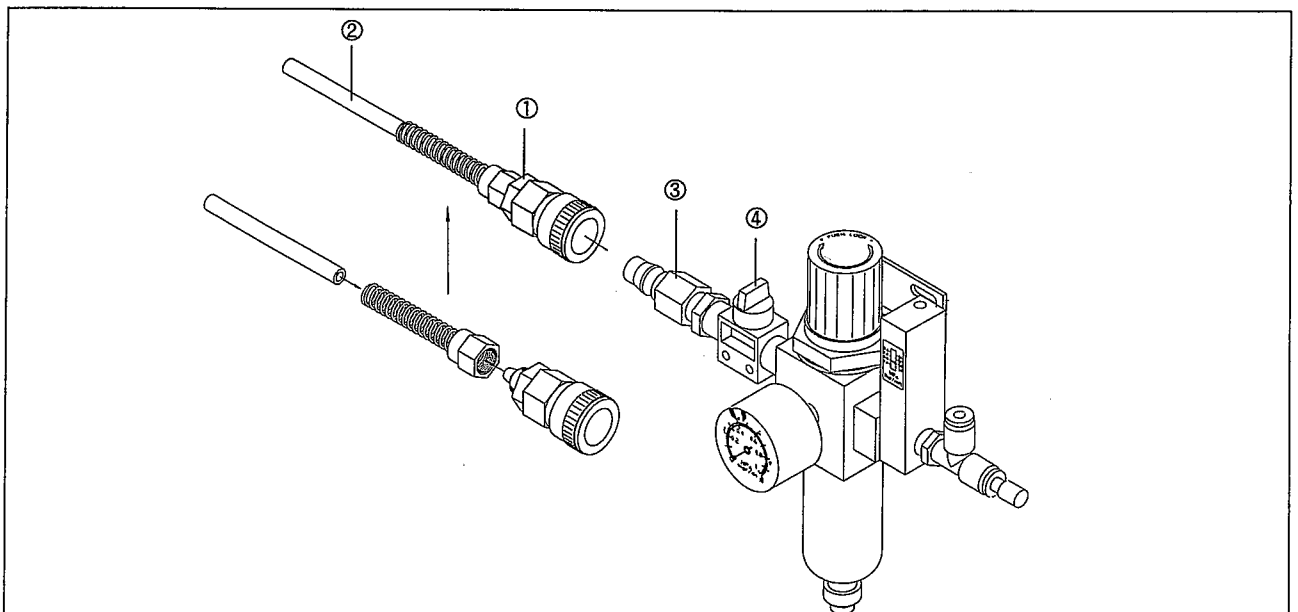
For safety, work with the power cut off.

- Ⓐ Connect air hose ② to quick joint socket.
- Ⓑ Connect quick joint socket ① and quick joint plug ③.
- Ⓒ Open finger valve ④ and flow air in. Then, adjust the air pressure to 0.49~0.54MPa(5~5.5kgf/cm²).

[Caution]

When the air pressure goes down (under 4kgf/cm²), an error is indicated and the machine operation is stopped.
Error message : Err 24 (Low Pressure !)

[Note] When the finger valve ④ is closed after use, the remaining air is rejected and the pressure is adjusted to 0Mpa(0kgf/cm²).



[Fig. 6]

5

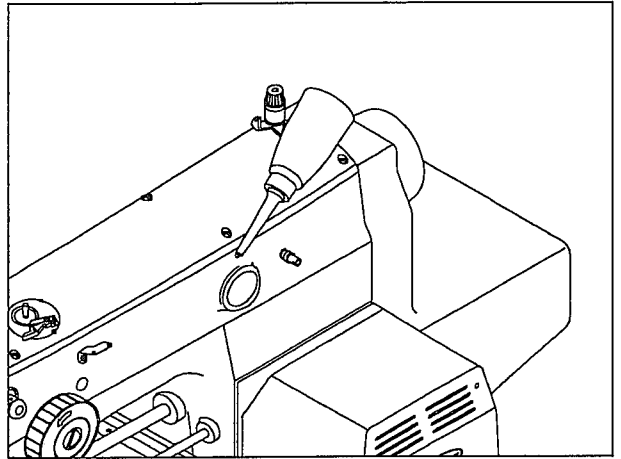
PREPARATION BEFORE OPERATING THE MACHINE

1) How to Supply Oil

- A. Check the amount of oil left in the oil tank which is installed on the arm and supply oil sufficiently.

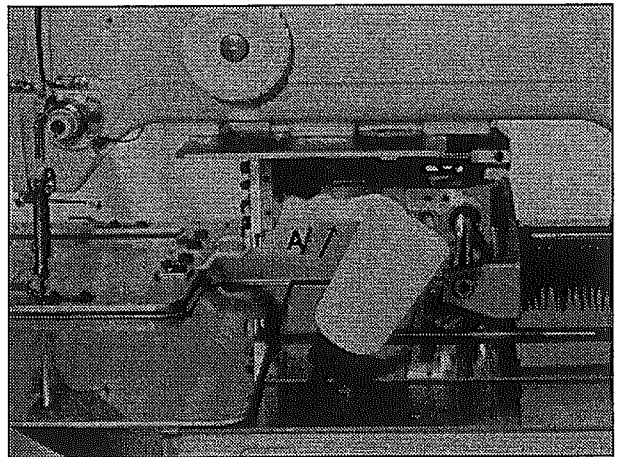
[Caution]

Be sure to supply oil when operating the machine for the first time or when the machine has not been used for long time.



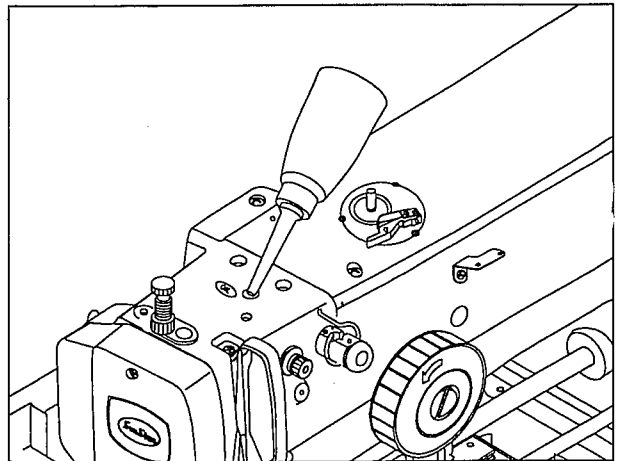
[Fig. 7]

- B. As shown in the picture, move the feed bracket in the direction of "A" and supply oil into the bed oil window through the hole on the bed cover.



[Fig. 8]

- C. Supply oil into the hole in the upper part of the arm.

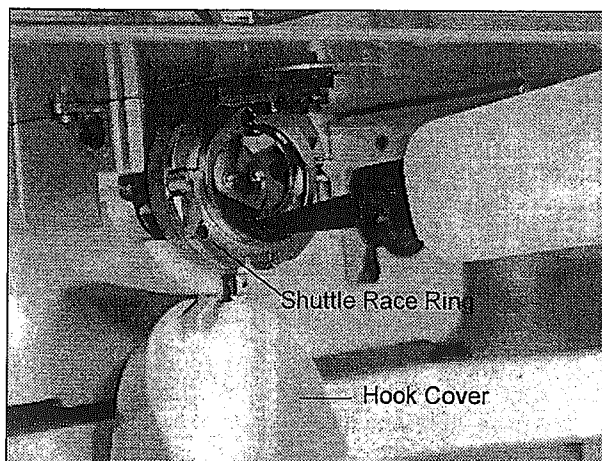


[Fig. 9]

D. Open the hook cover and supply oil till the shuttle race ring is surrounded by oil. Put the hook cover back on after finishing.

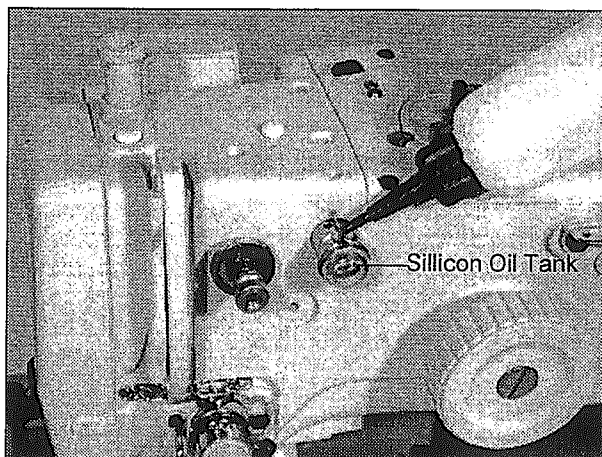
[Caution]

For safety, keep the hook cover covered during operating.



[Fig. 10]

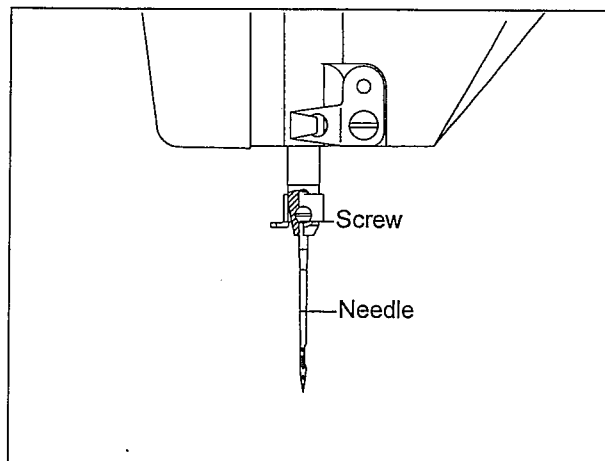
E. Supply silicon oil into the silicon oil tank which is installed on the right side of the arm.



[Fig. 11]

2) How to Install the Needle Bar

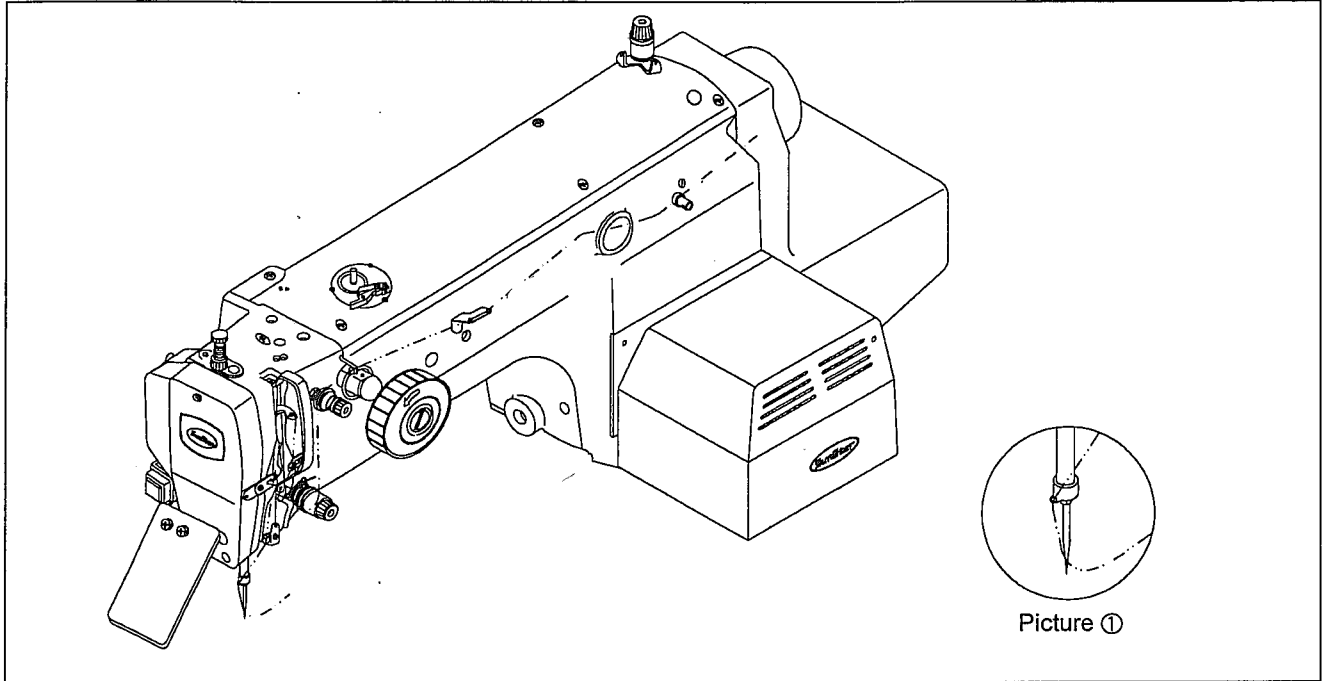
Unfasten the needle fixing screw on the needle bar. Then, with the needle groove facing forward, push the needle until the upper end touches the needle hole of the needle bar. Fix the needle in with the needle fixing screw.



[Fig. 12]

3) How to Thread the Upper Thread

- A. Hook the upper as shown in the following picture after setting the thread take-up lever at the highest position. As with the needle bar thread guide, hook the thread as shown in picture ① for heavy materials.



[Fig. 13]

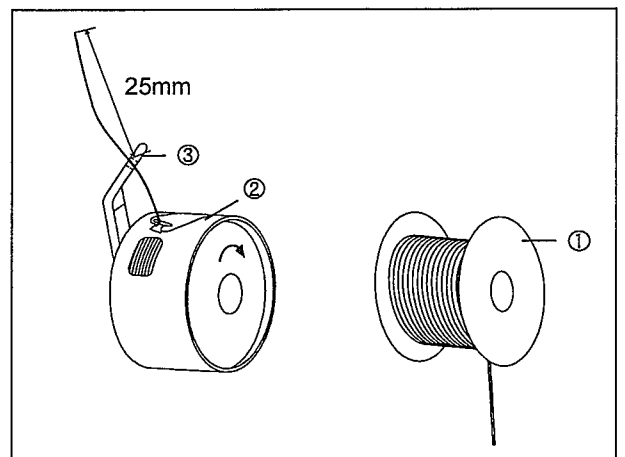
4) Threading the Lower Thread

- A. Insert bobbin ① into bobbin case ② as shown in the picture.

[Caution]

Insert the bobbin to turn clockwise when seen from behind the bobbin case.

- B. After setting the lower thread through the crack of the bobbin case, insert the thread through thread hole ③.
C. Adjust the lower thread to hang 25mm out of thread hole ③.



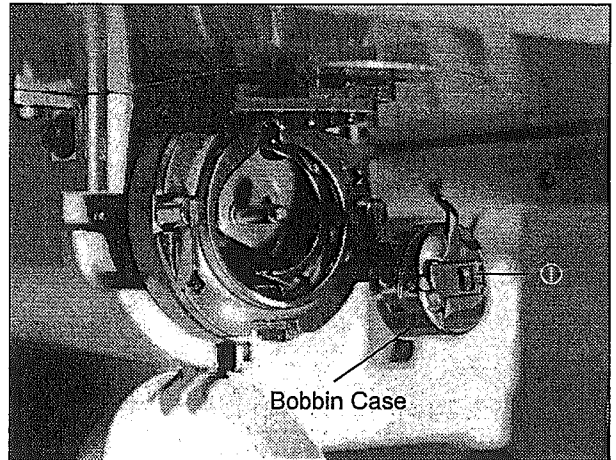
[Fig. 14]

5) How to Take the Bobbin Case On and Off

Hold knob ① of the bobbin case and push into the shuttle until a click sound is heard.

[Caution]

If you start operating the machine when a bobbin case is not perfectly installed, thread can be tangled of the bobbin case would be protruded.

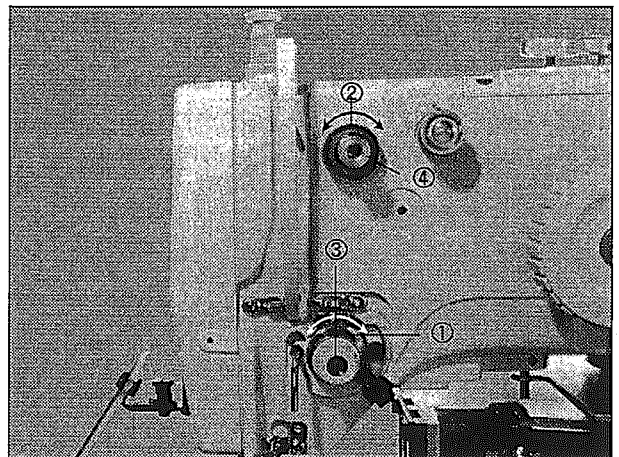


[Fig. 15]

6) How to Adjust the Tension of the Upper Thread and the Lower Thread

A. Adjusting the tension of the upper thread

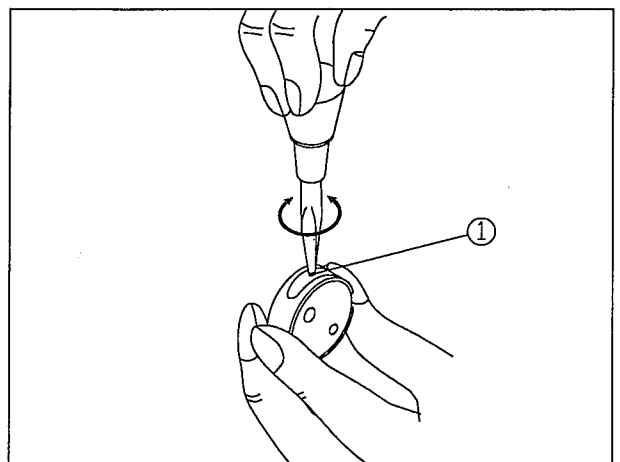
When the tension adjusting nuts ③ and ④, of thread tension adjusting unit ① and sub-tension adjusting unit ②, are turned clockwise the upper thread is tightened. And loosens when turned the other way around.



[Fig. 16]

B. Adjusting the tension of the lower thread

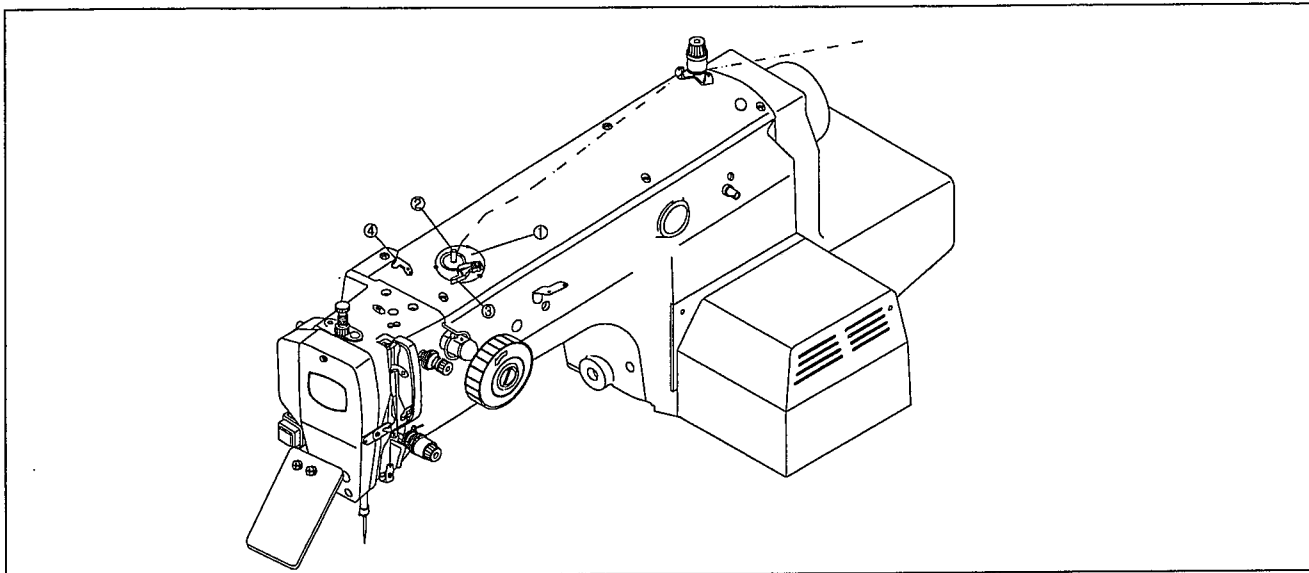
The lower thread becomes tight when tension adjusting screw ① is turned clockwise, as shown in the picture. When the screw is turned the other way the lower thread is loosened.



[Fig. 17]

7) How to Wind the Lower Thread

- A. Insert the bobbin into thread winding drive shaft ② on thread winding base ① which is installed on the upper top.
- B. Operate the machine after sticking the thread winding lever ③ to the bobbin.
- C. When the thread winding lever is separated from the bobbin, cut the bobbin thread with thread winding mes ④.



[Fig. 18]

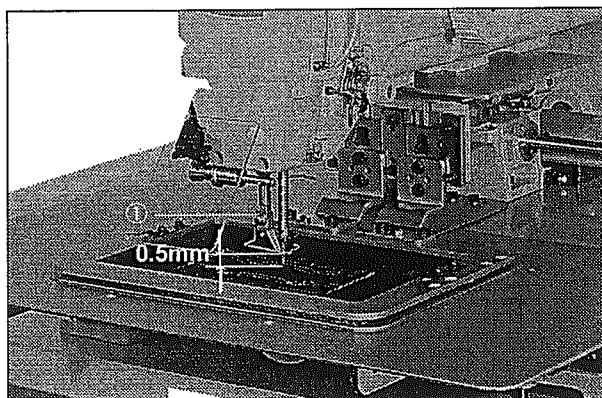
8) Adjusting the Height of the Presser Foot

- A. Unfasten presser foot screw ① with the needle bar at the lowest position.
- B. Adjust the height so that the presser foot bottom comes 0.5mm (the thickness of the thread used) above the sewing material. Then, tighten the screw.

[Caution]

After adjusting the height of presser foot, confirm the position of wiper

- Too excessive gap can cause jumping
- Insufficient gap can cause a failure in thread adjustment



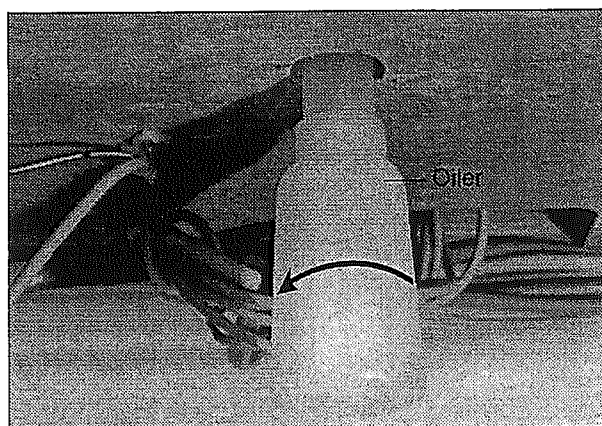
[Fig. 19]

9) Disposing the Waste Oil

When the oil receiving container at the bottom of the table is full, take it off to empty.

[Caution]

Spread out some fabrics or papers on the floor when you attach or remove the oil receiving container

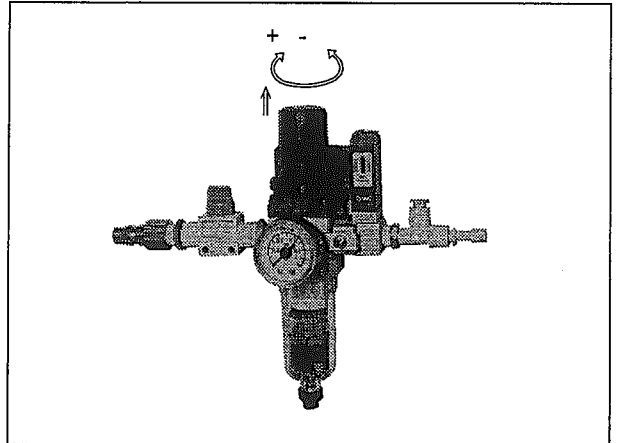


[Fig. 20]

10) How to Adjust the Air Pressure

Pull the adjustment handle on the upper part of the filter controller, which is attached to the back of the table, up as shown in the picture. When the handle is turned clockwise the pressure goes up and goes down when the handle is turned in the opposite direction. Adjust to the appropriate pressure (5~5.5kgf/cm²) indicated in the pressure gauge, then press and fix the adjustment handle into its place.

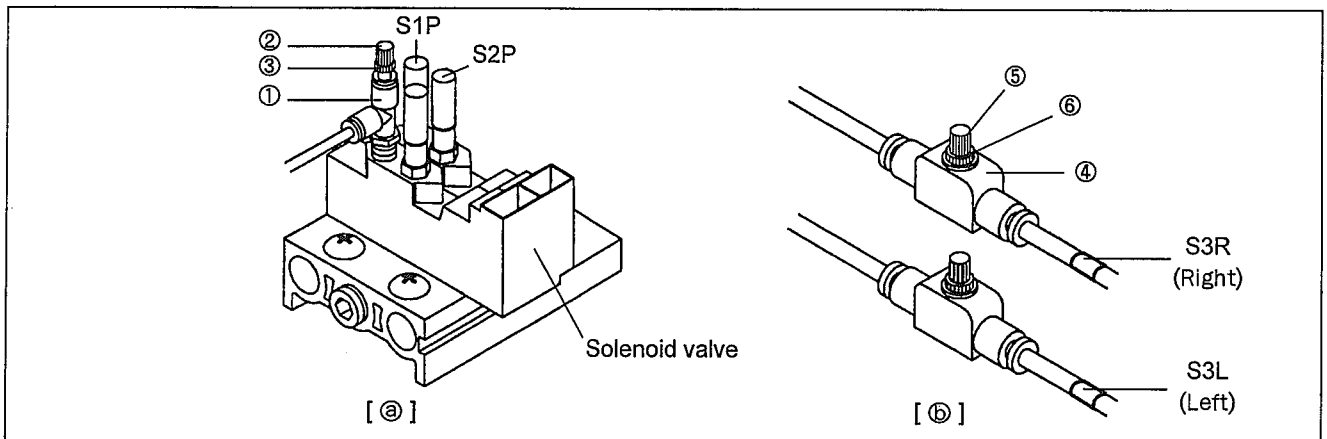
[Caution]
You had better not adjust the value because already set.



[Fig. 21]

11) Adjusting the Speed for Ascension and Descent of Upper Feed Plate

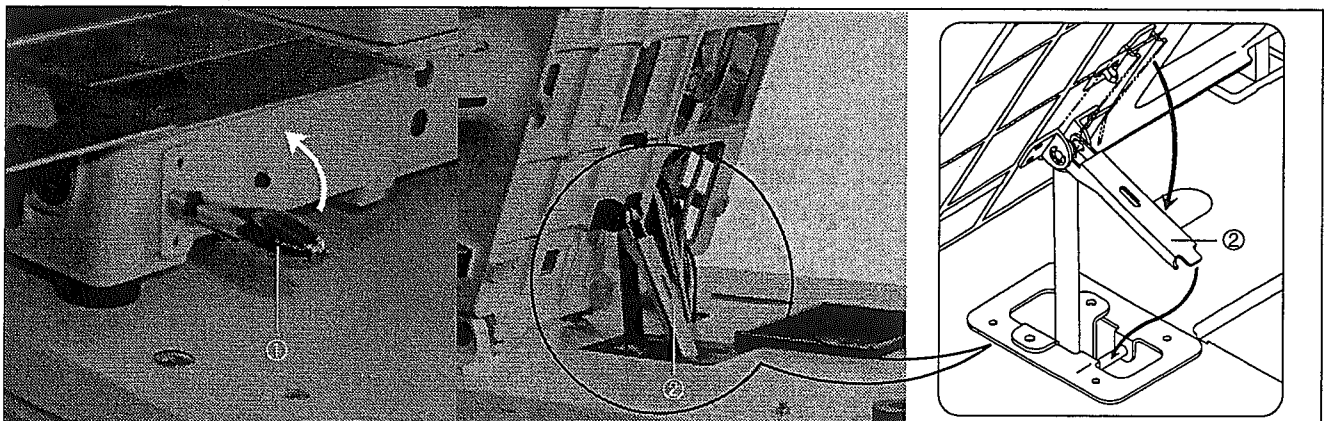
- A. Like the fig. ㉓, if you turn a handle ② on reducing valve ① of solenoid valve attached to the bottom of table clockwise, the ascending speed of upper feed plate and support pressure during ascending will be increased, if you turn it counter-clockwise, they are reduced, so that you should adjust it to be proper speed and fix them with fixing nut ③.
- B. Like the fig. ㉔, if you turn a handle ⑤ of sped controller ④ clockwise, the descending speed of upper feed plate will be reduced, if you turn it counterclockwise, the descending speed will be increased. After adjusting it to be proper speed, fix it with fixing nut ⑥.



[Fig. 22]

12) Standing the Sewing Machine

If troubleshooting and setting if machine is needed, attach the handle ① and lift to the arrow mark direction. If you work with the machine stood, be sure to use frame support bracket ②.



[Fig. 23]

13) Setting the Voltage

- A. If a cover of electronically controlled pattern sewing machine is taken off, inside contents are as same as [Fig. 1].
- B. Confirm the position of change connector of power voltage on power board [Refer Fig. 1] and transformer if they are properly selected for input voltage like Table 1 and 2.

EX) If power voltage is 220 V:

The model of used transformer is "GPS-□ □ □ □ - 220" and it is normal for the change connector of power voltage to be placed on "JP5".

- ※ Sticker for transformer model is attached to the top side of transformer.

| Input Voltage | Position of Change Connector of Power Voltage |
|---------------|---|
| 95V~105V | JP4 |
| 106V~115V | JP3 |
| 116V~125V | JP2 |
| 200V~230V | JP5 |
| 231V~245V | JP4 |
| 345V~415V | JP3 |
| 416V~480V | JP1 |

[Table 1. Position of change connector of voltage]

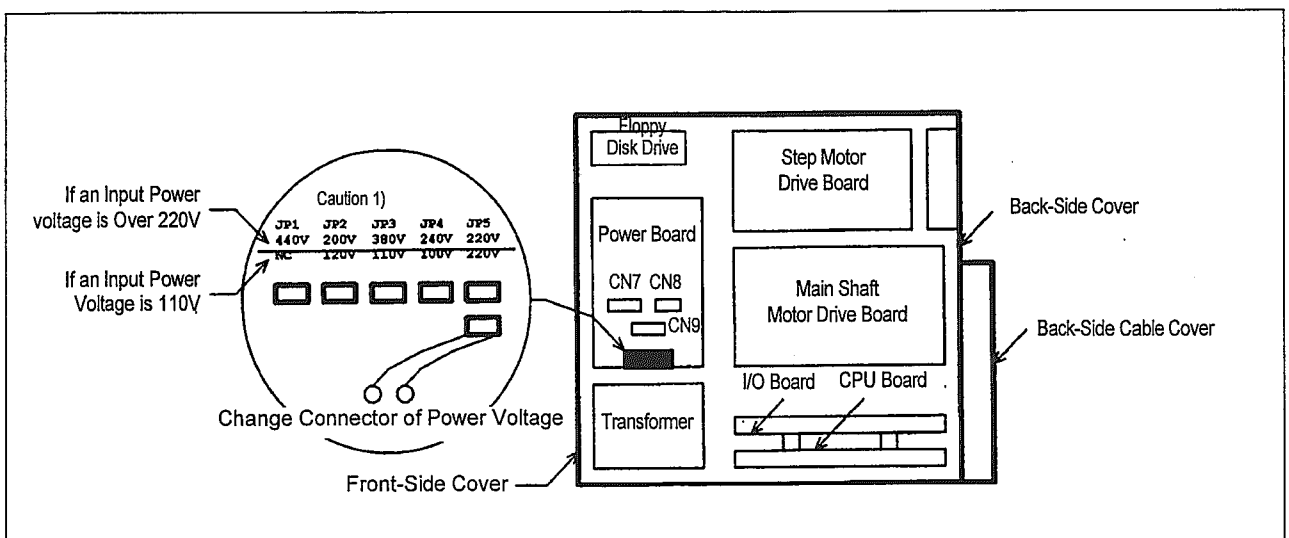
| Power Voltage | Model | GPS/B-1306-X X - X X | GPS/B-1811-X X - X X |
|---------------|-------|----------------------|----------------------|
| 100V~120V | | "GPS- 1306-110" | "GPS-1811-110" |
| 220V~440V | | "GPS- 1306-220" | "GPS- 1811-220" |

[Table 2. Modle of used transformer according to the input power voltage]

- C. Check if a power switch is for 1 phase and 3 phase.
- D. If the setting of ② and ③ is not proper, damage from breakdown can be occurred. If there is any problem, follow below direction.
 - ① If the position of change connector is wrongly placed :
 - ① Separate the connector linked to transformer from CN7, CN8 and CN9 of power board.
 - ② Insert the power change connector into a proper position on Table 1.
 - ③ Reconnect the connector linked to transformer to CN7, C8 and CN9 of power board.
 - ② If the specification of used transformer is not in a accord with that of power switch, ask to the place where you purchased for troubleshooting.

[Caution]

Before turning on the power switch, air should be filled with.



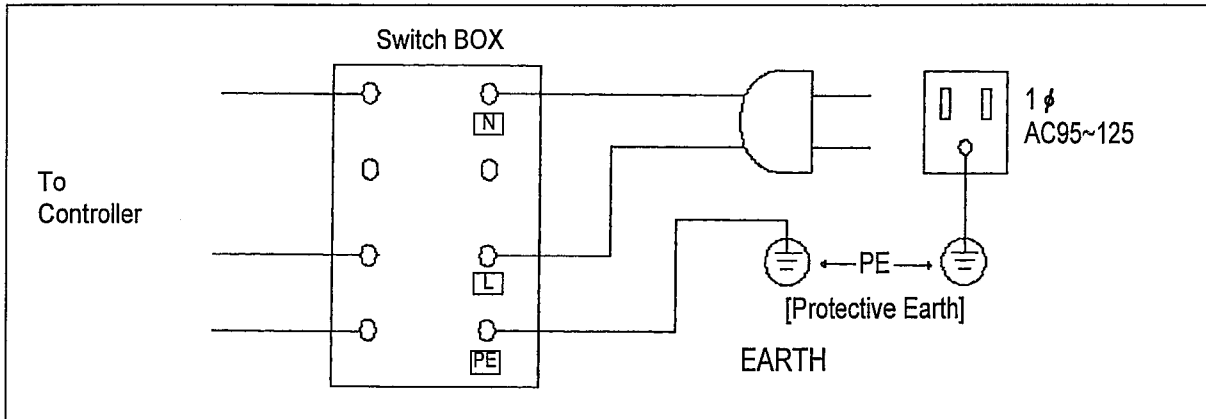
[setting of change connector of power voltage]

[Fig. 24]

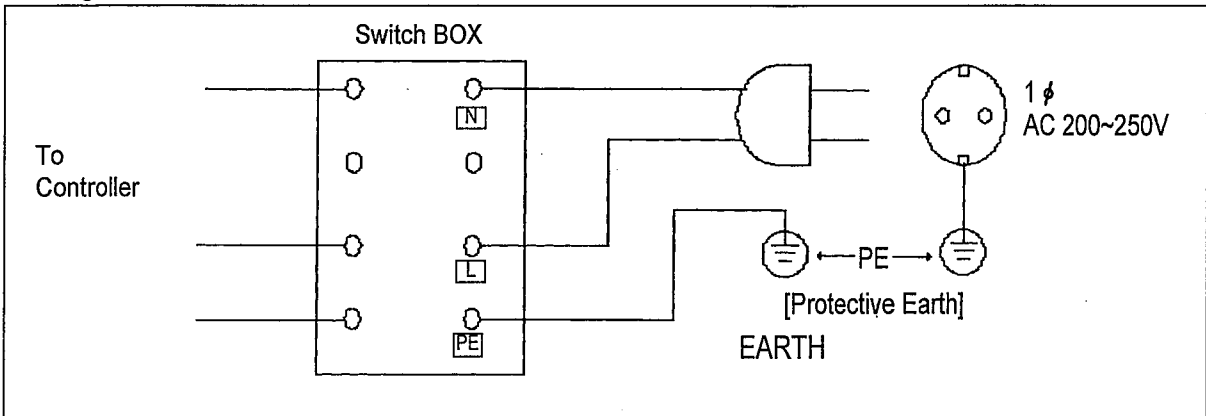
WIRING AND GROUNDING

1) Specification of the Power Plug

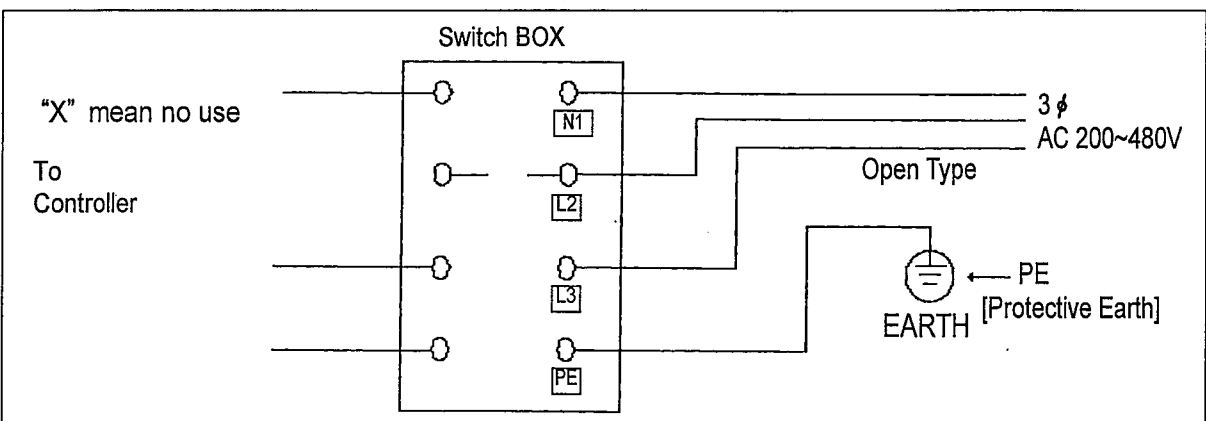
① Single Phase AC 95V~125V



② Single Phase AC 200V~245V



③ Three Phase AC 200V~480V (Note: This diagram is not for European market)

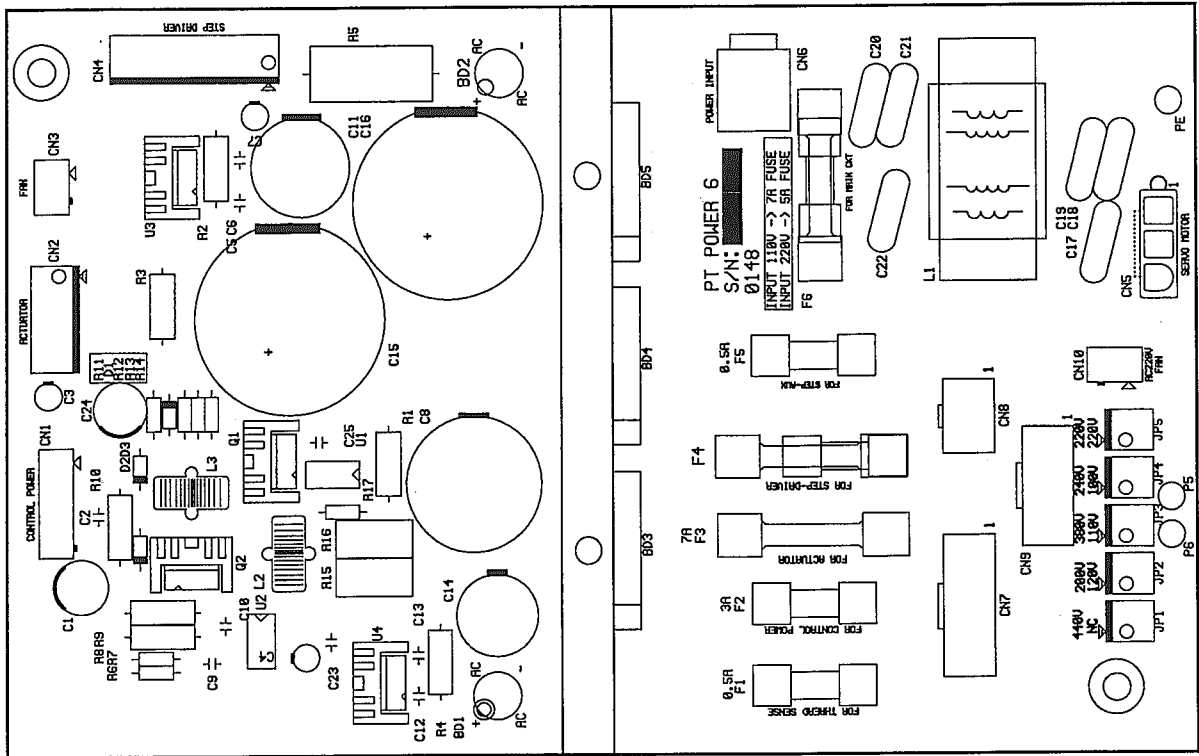


※ Be sure to connect Protective Earthing

2) Specification of Electric Current in Wiring of Power Plug

Be sure to use wiring materials which can stand electric current of higher than 15A

Pattern 1811Series



| NO. | DEVICE NO. | FUSE CAPACITY | | FUNCTION | ETC. |
|-----|------------|---------------|---------|---------------|------|
| | | VOLTAGE | CURRENT | | |
| 1 | F1 | AC250V | 0.5A | I/O OPERATING | |
| 2 | F2 | AC250V | 3A | CPU OPERATING | |
| 3 | F3 | AC250V | 7A | SOLENOID | |
| 4 | F4 | AC250V | 8A | STEP MOTOR | |
| 5 | F5 | AC250V | 0.5A | FAN | |
| 6 | F6 | AC250V | 5A | PATTERN MAIN | |

When you change the Fuse you should TURN OFF the POWER

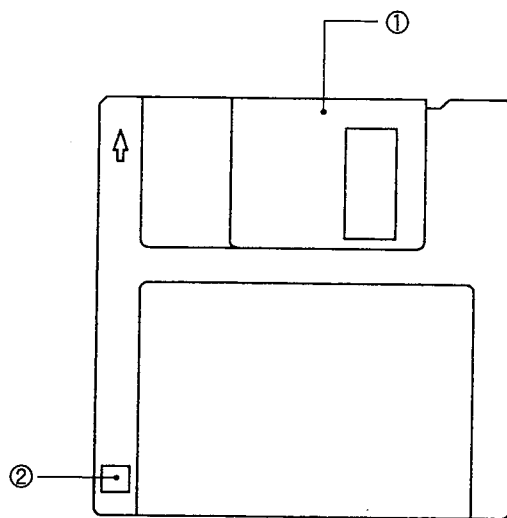
14) Caution When Using the Floppy Disks

Observe the following principles thoroughly when you treat floppy disks.

[Caution]

Use the identified floppy disks after formatting when you get floppy disks in market.

- Ⓐ Do not put floppy disks near magnetic-related materials such as television.
- Ⓑ Keep away from overheat, humidity or direct ray of light.
- Ⓒ Do not put any heavy material on a floppy disk.
- Ⓓ During formatting or inputting and outputting floppy disks, do not take out a floppy disk from a disk drive.
- Ⓔ Do not open a cover of floppy disk.
- Ⓕ If a write protect tab is opened, you can't input data in a disk
- Ⓖ If you repeat read and write in a disk many times, error can be occurred in a disk.
- Ⓗ It is safe to keep important design data in two disks.



① Shuttle

② Write protect tab

6

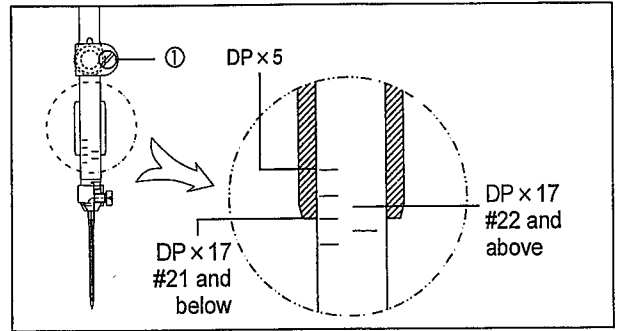
HOW TO REPAIR THE MACHINE

Caution

The machine is set to be the best condition at the factory. Do not make any discrete adjustments on the machine and replace accessories approved by the company only.

1) Adjusting the Height of the Needle Bar

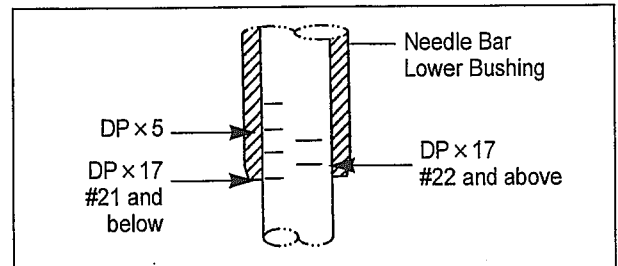
When the needle bar is at its lowest position, unfasten the needle bar holder screw ①. Adjust the desired height by making the specified upper carving line fit in with the needle bar bushing. Then, tighten the needle bar holder screw ① back on firmly.



[Fig. 25]

2) Adjusting the Needle and the Shuttle

A. Have the lower carving line for the needle that is applied when the needle bar goes up fit in with the lower side of the needle bar bushing as shown in the picture.

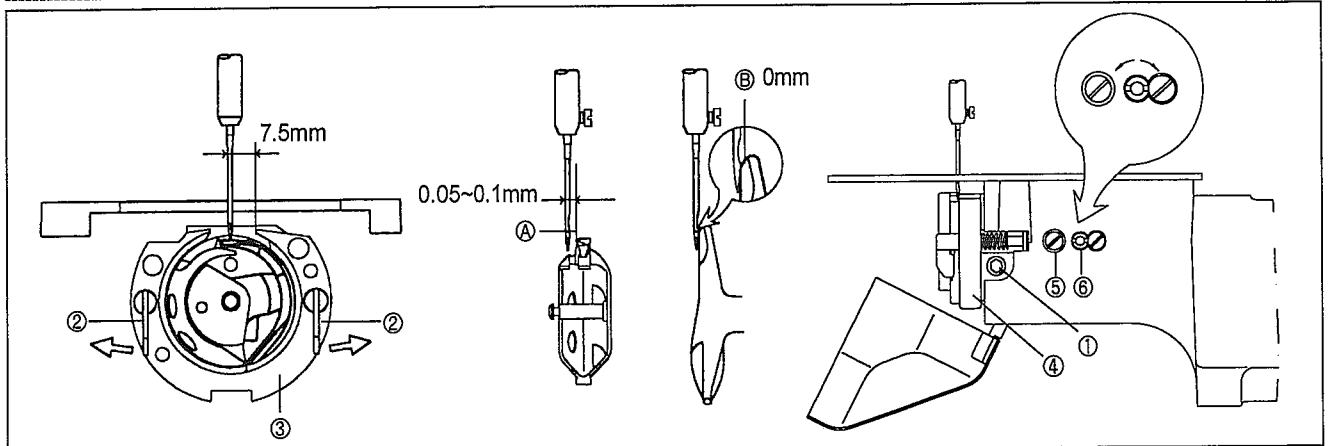


[Fig. 26]

- After unfastening the shuttle drive screw ①, open the inner hook pressure bar ② left to right and remove the shuttle lace ring ③ from the (large) shuttle ④.
- Make the shuttle hook point ④ accord with the center of the needle. And make the needle and the front facet of the shuttle drive ⑤ connect each other to prevent the needle from curving. Then, tighten the drive screw ① firmly.
- After unfastening the (large) shuttle screw ⑤, turn the large hook adjustment shaft ⑥ to the left to right and adjust the (large) shuttle ④ so that the needle and the shuttle hook point ④ is 0.05~0.1mm apart from each other.
- After adjusting the (large) shuttle ④ in place, adjust the rotary direction of the (large) shuttle ④ so the needle and the (large) shuttle ④ is 7.5mm apart from each other. Then, tighten the (large) shuttle screw ①.

[Caution]

For safety, make sure all the screws are tightened firmly after adjusting the (large) shuttle.



[Fig. 27]

3) Adjusting the Lower Shaft Gear and the Rocking Shaft Gear

- A. Unfasten screws ① and ②.
- B. While having the upper shaft turning, move the rocking shaft gear in the direction of the arrow to the position where it will move easily without load.

[Caution]

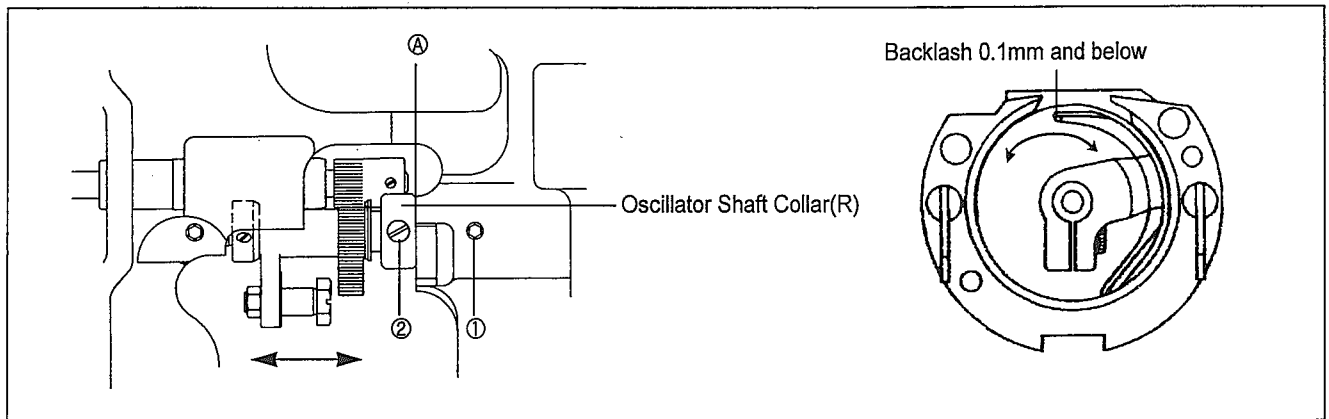
The machine may not operate when the rocking shaft gear is not in the right position.

- C. Have the oscillator shaft collar(right) stick to the bed surface ④, and then tighten the collar screw ②.
- D. Turn the oscillator shaft collar(right), still sticking to the bed surface ④, in the direction of the arrow and make adjustments so the end of the shuttle drive will rotate smoothly with the backlash of under 0.1mm.

[Caution]

If there is too much backlash the machine may make more noise than usual during operation. And if there is not enough backlash, the machine may not operate.

- E. Tighten screw ① back on firmly.



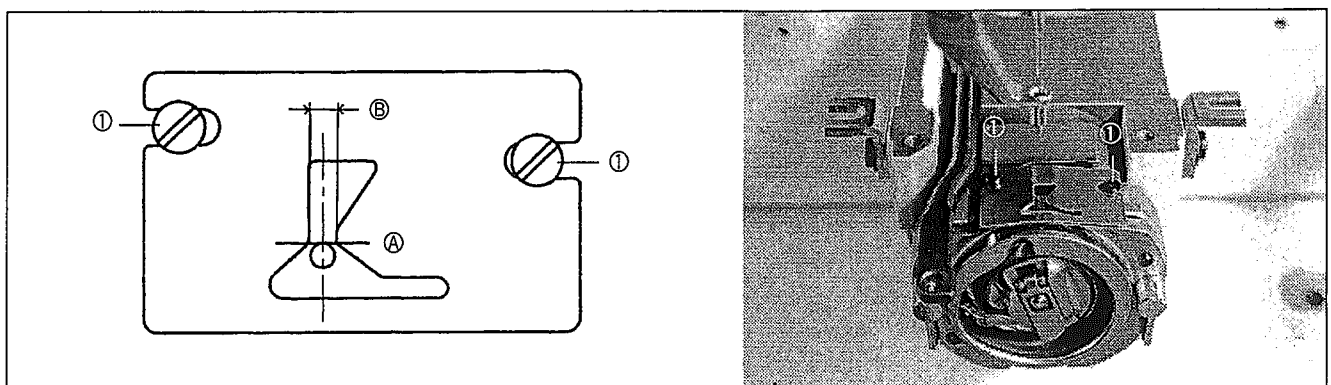
[Fig. 28]

4) Adjusting the Spring on the Upper Side of the Shuttle

After removing the lower feed plate and the needle plate from the machine, unfasten the screw of the spring on the upper side. Then, adjust the spring on the upper side of the shuttle so that the backside of the needle and comes to point ④ in the vertical direction, and the center of the needle will come to the middle of interval ⑤ horizontally. After the adjustment is done, tighten the screw back on firmly.

[Caution]

The thread may be disconnected or the thread strand may be unfastened if there are scratches or if the surface is rough around the spring groove on the upper side of the shuttle. Always check the surface of the spring before operating the machine.



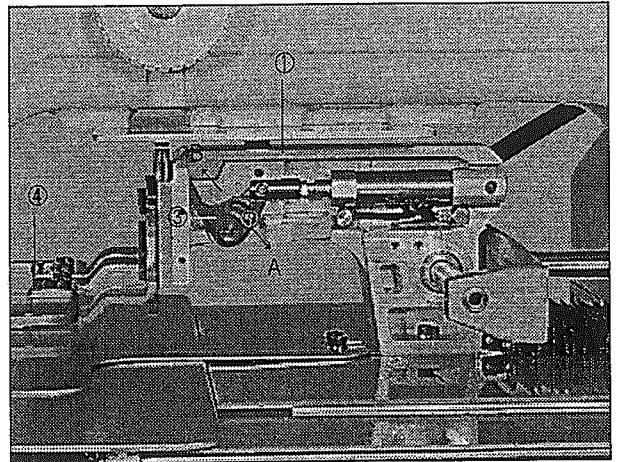
[Fig. 29]

5) Adjusting the Height of the Feed Plate

After unfastening the boosting lever control plate screws ② on each side of the feed bracket ① raise the control plate in direction A to lower the upper feed plate ③ and lower the control plate in direction B to heighten. Tighten the boosting lever control plate screws back on firmly after adjusting the height of the upper feed plate.

[Caution]

Tighten all the screws back on completely after adjusting the feed plate height.



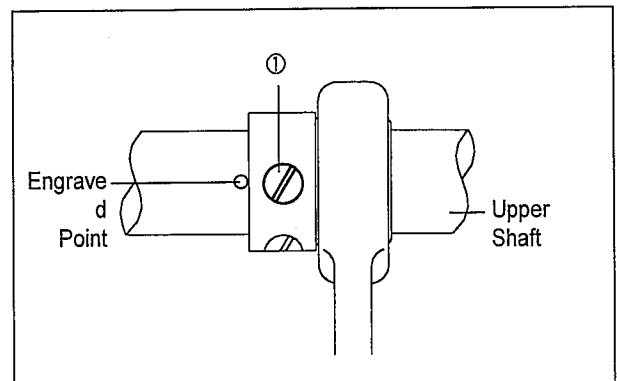
[Fig. 30]

6) Adjusting the Presser Foot Devices

A. Have the end of the presser foot drive cam accord with the carving point center of the upper shaft, and the carving line of the cam accord with the carving point. Tighten screw ①.

[Caution]

If the presser foot drive cam is not in the right position, the presser foot may not move vertically in time and run into the needle bar.

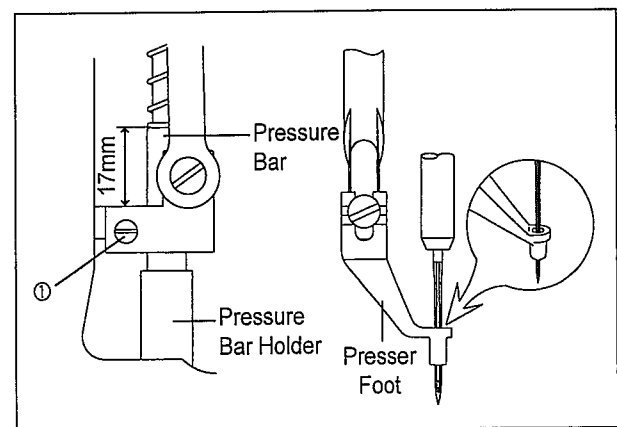


[Fig. 31]

B. After adjusting the pressure bar to stick out of the pressure bar holder about 17mm, check if the needle moves through the center of the presser foot and then tighten screw ①.

[Caution]

Fasten joint screw ① of presser bar with the pressure about 40-45kgf/cm². If connection pressure is excessive, it becomes cause of deformation of presser bar and cause trouble to machine operation.



[Fig. 32]

C. Adjustment of Presser Foot Adjusting Arm

- Unscrew location link stopper screw to make space between location link stopper ④ and fixing stud screw of presser foot motion link ③.
- After unscrewing fork link joint screw ① and placing stud screw of presser foot link to the right side of presser foot adjusting arm, fasten stud screw ② of presser foot link tightly.
- Place the needle bar to the lowest point by turning the hand pulley.
- Raise the presser bar so that the distance between presser bar handle and presser bar bush is to be 4mm and fasten the joint screw ① of fork link tightly.

[Cautoin]

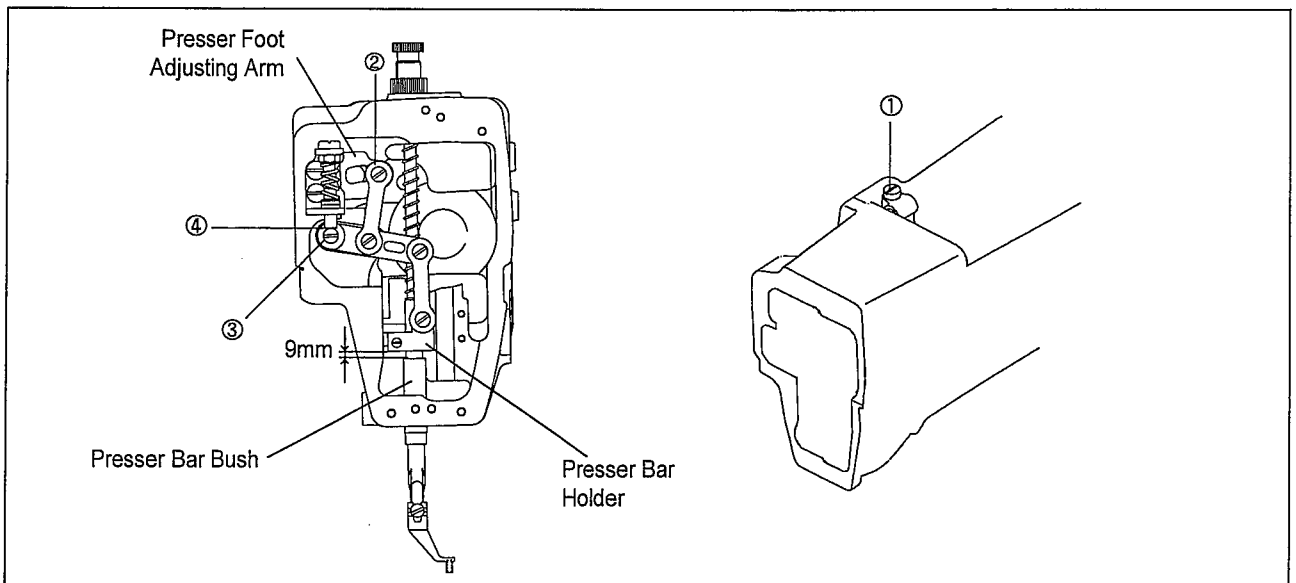
If there is space between presser bar handle and presser bar bush, interference and noise is occurring during machine operation. Screws are not fastened tightly after adjustment ; it can cause breakage during operation.

- Adjust so that location link stopper ④ and fixing stud screw of presser foot motion link ③ get close by turning stopper screw of location link.

[Cautoin]

If fixing stud screw ③ of presser foot motion link and end of the location link stopper ④ did not get perfectly close, trembling phenomenon occurs during operation and noise can increase.

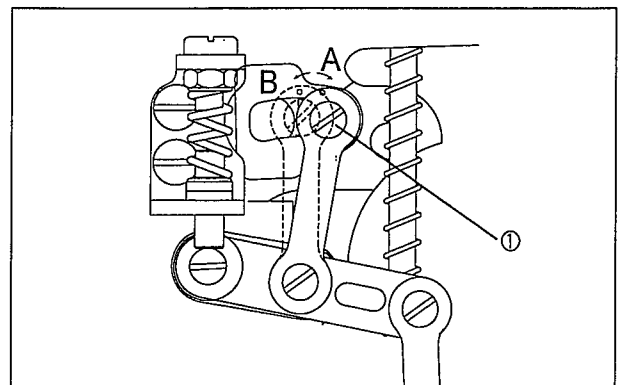
- After fastening fork link joint screw ① tightly, check if there is play to vertical direction in presser foot adjusting arm. Checking fastening status of screws, adjust presser foot stroke.



[Fig. 33]

D. Adjustment of Presser Foot Stroke (Adjustment of Presser Foot UP/DOWN Motion)

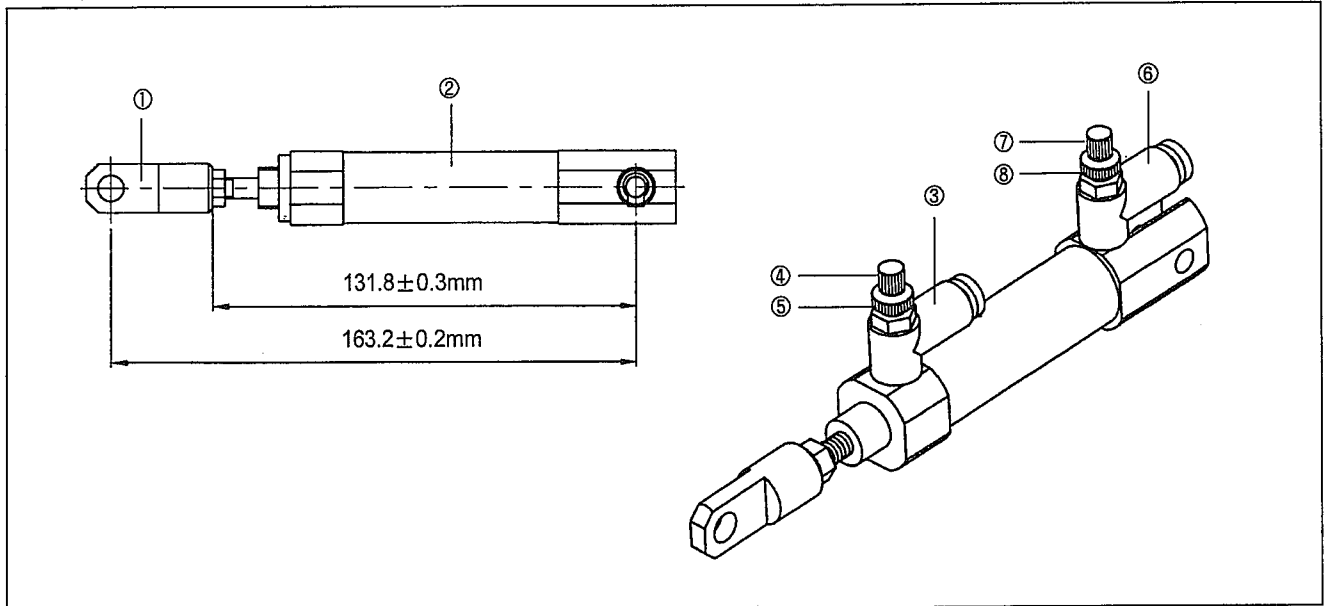
After unfastening stud screw ① of presser foot adjusting arm, placing it to A direction, presser foot stroke increases. Placing to direction B, stroke decreases. (It is set to 4mm at the moment of factory shipping).



[Fig. 34]

7) Adjusting the Presser Foot Lifter Cylinder

- A. The distance between the hole center of cylinder knuckle ① and the hole center of presser foot lifter cylinder ② to be $163.2 \pm 0.2\text{mm}$ to maximum.
- B. If you turn a handle ④ of speed controller ③ on presser foot lifter cylinder ② clockwise, the ascending speed of presser foot will be reduced, if you turn it counterclockwise, they are increased, so that you should adjust it to be proper speed and fix them with fixing nut ⑤.
- C. If you turn a handle ⑦ of speed controller ⑥ on presser foot lifter cylinder ② clockwise, the descending speed of presser foot will be reduced, if you turn it counterclockwise, they become increased, so that you should adjust it to be proper speed and fix them with fixing nut ⑧.



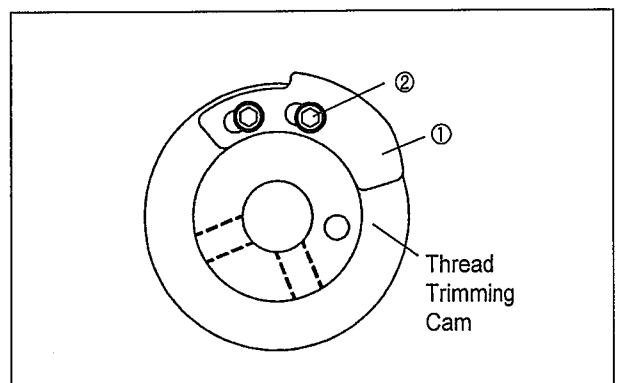
[Fig. 35]

8) Adjusting Accessories for Thread Delay

- A. How to set the thread delay notch
Place the notch so that the right side of the oval share of the thread delay notch ① touches circumference of the notch screw ②, and then fix with a screw.

[Caution]

The remaining amount of thread may not be enough or not be regular and the thread may be unfastened from the needle if the notch is not set in the right position.



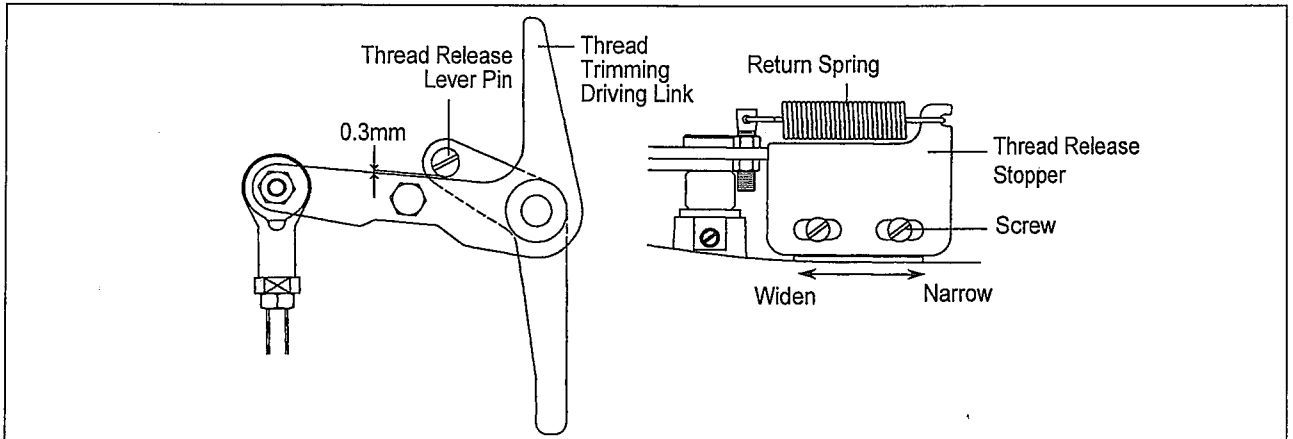
[Fig. 36]

B. How to set the thread release stopper

- Ⓐ Remove the thread release return spring.
- Ⓑ After unfastening the thread release stopper screw, adjust the trimming drive link and the thread release lever pin 0.3mm apart from each other. Then, attach the arm to the thread release stopper completely. When the thread release stopper is pushed to the right, the space between the trimming drive link and the thread release lever pin is reduced. And it is enlarged when the stopper is pushed to the left.
- Ⓒ Hang on the thread release return spring.

[Caution]

Use a tool when removing or attaching the thread release spring to prevent accidents.



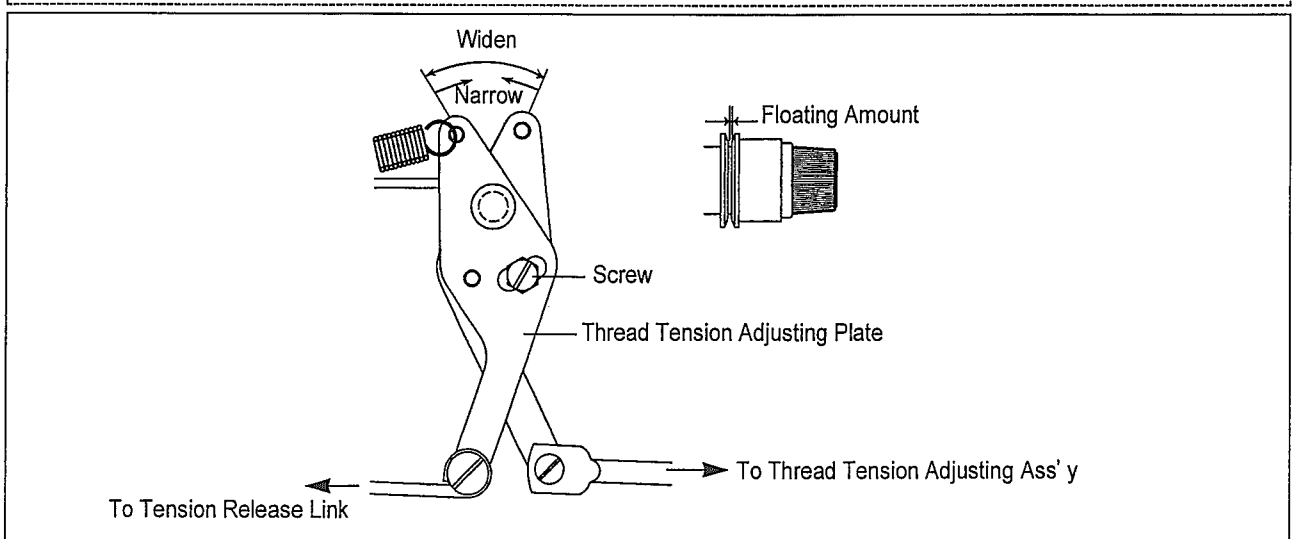
[Fig. 37]

C. How to adjust the opening capacity of the thread guide dish

- Ⓐ Unfasten the thread release control plate screw.
- Ⓑ Open the thread guide dish by operating the trimming devices.
- Ⓒ Adjust the opening capacity to 0.6~0.8mm for normal material and 0.8~1mm for heavy material. To increase the opening capacity, widen the angle between the thread release plate and narrow the angle to reduce the opening capacity.
- Ⓓ Tighten the screw after the adjustment.

[Caution]

If the dish is not opened appropriately, the amount of remaining thread may be not enough or not regular, and the dish may not be closed completely.



[Fig. 38]

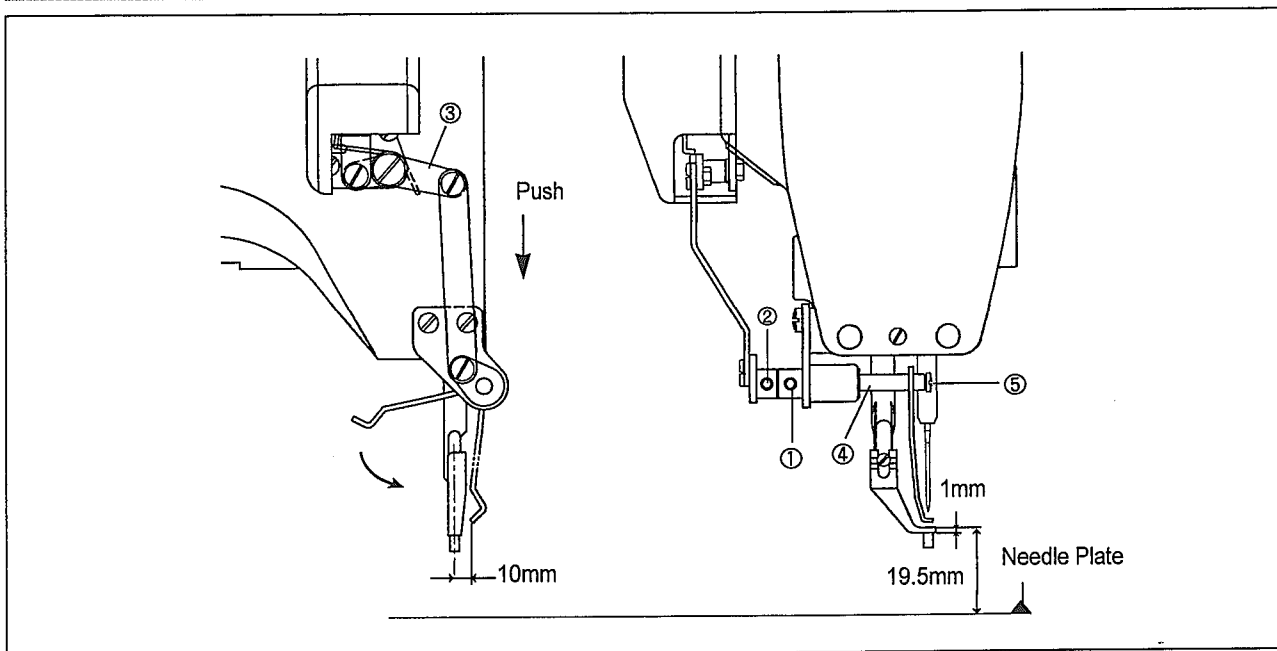
9) Adjusting Accessories for the Wiper

A. Adjusting the wiper position

- Ⓐ Unfasten the wiper rotary shaft collar screw ① and the wiper crank screw ② when the needle tip is 19.5mm above the throat plate.
- Ⓑ Press the wiper rocking link ③, then adjust the wiper shaft ④ so the wiper and the needle is about 10mm apart from each other.
- Ⓒ Tighten the wiper rotary shaft collar screw ① and the wiper crank screw ②.
- Ⓓ Unfasten the wiper screw ⑤ and adjust the wiper so that the end of the wiper is about 1mm apart from the needle end. Then, tighten the screw back on firmly.

[Caution]

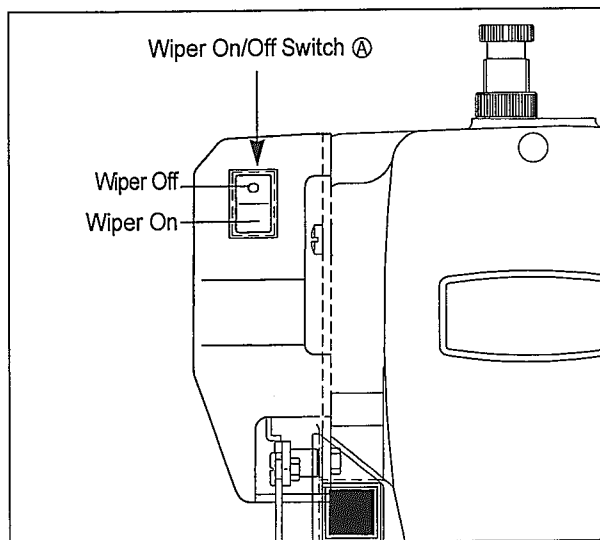
If the wiper is not placed in the right position, the wiper may collide with the presser foot or needle during the operation, and the wiper may not move properly.



[Fig. 39]

B. Wiper operating switch

If you want to use the wiper, press the wiper operating switch ① —, if you don't, press the wiper operating switch ① ○.



[Fig. 40]

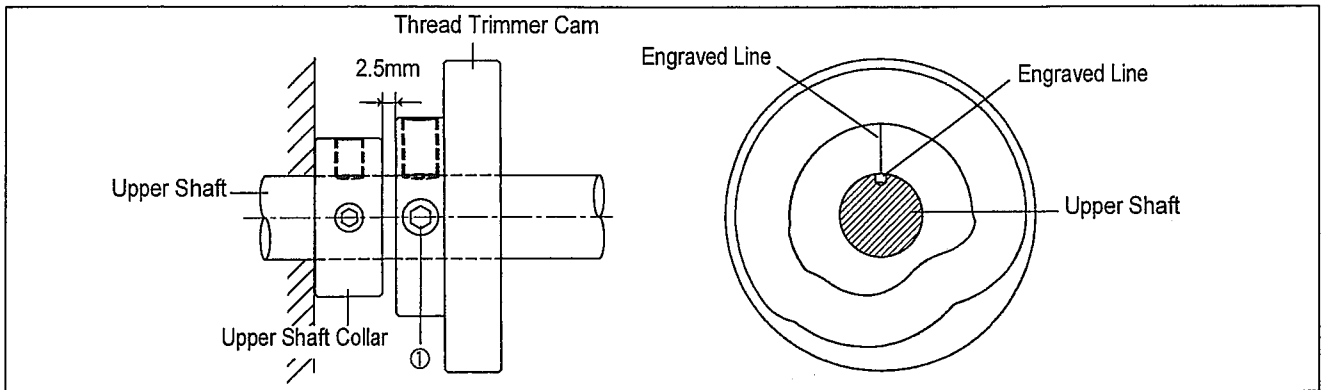
10) Adjusting the Trimming Parts

A. Setting the position of the trimming cam

Set the upper shaft collar and the trimming cam 2.5mm apart from each other and place the trimming cam where the trimming cam carving line accords with the upper shaft carving point. Then, tighten screw ①.

[Caution]

If the trimming cam is not placed in the right position, the trimming operation may not be made correctly or the machine may be struck.



[Fig. 41]

B. How to adjust the link stopper

Ⓐ With the needle bar in its lowest position, check if there is enough space between the trimming cam roller and both ends of the trimming cam when the trimming drive link is pushed in the direction of the arrow (\rightleftarrows) within the trimming cam moving part.

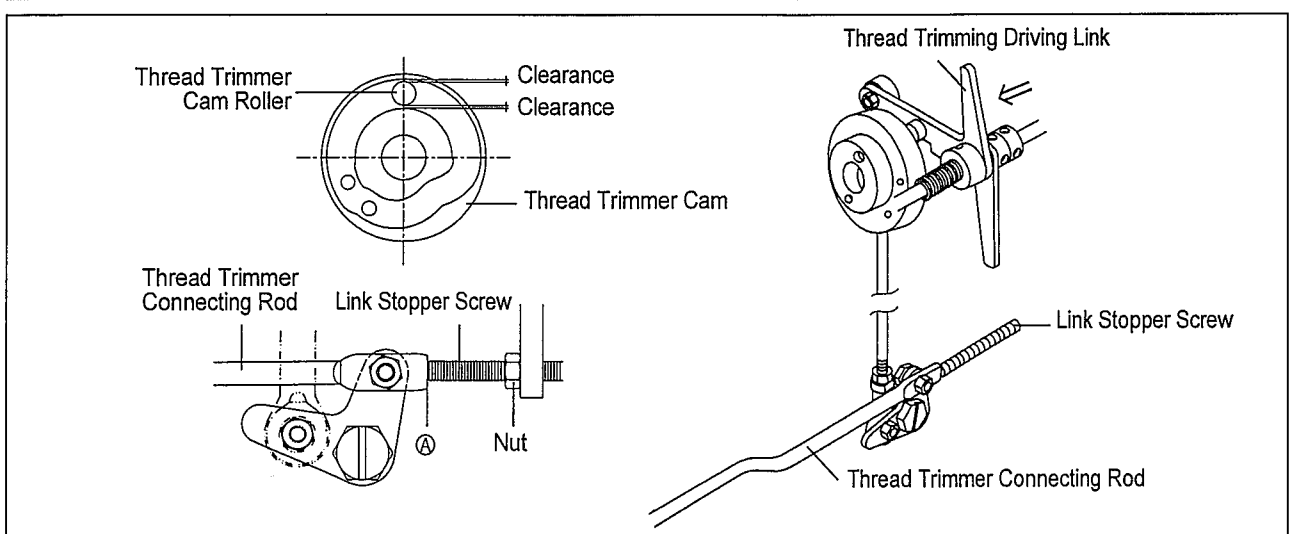
[Caution]

If there is not enough space between the trimming cam roller and both ends of the trimming cam, trimming may not be operated correctly or the machine may be struck when beginning to sew or trimming.

Ⓑ Make the end of the link stopper screw touch part ① of the trimming link stick when the trimming cam roller is inserted into the trimming cam moving part. Then, tighten the nut.

[Caution]

If the position is not set appropriately, the return to the previous point after trimming may be delayed and the first stitch may not be tight enough.



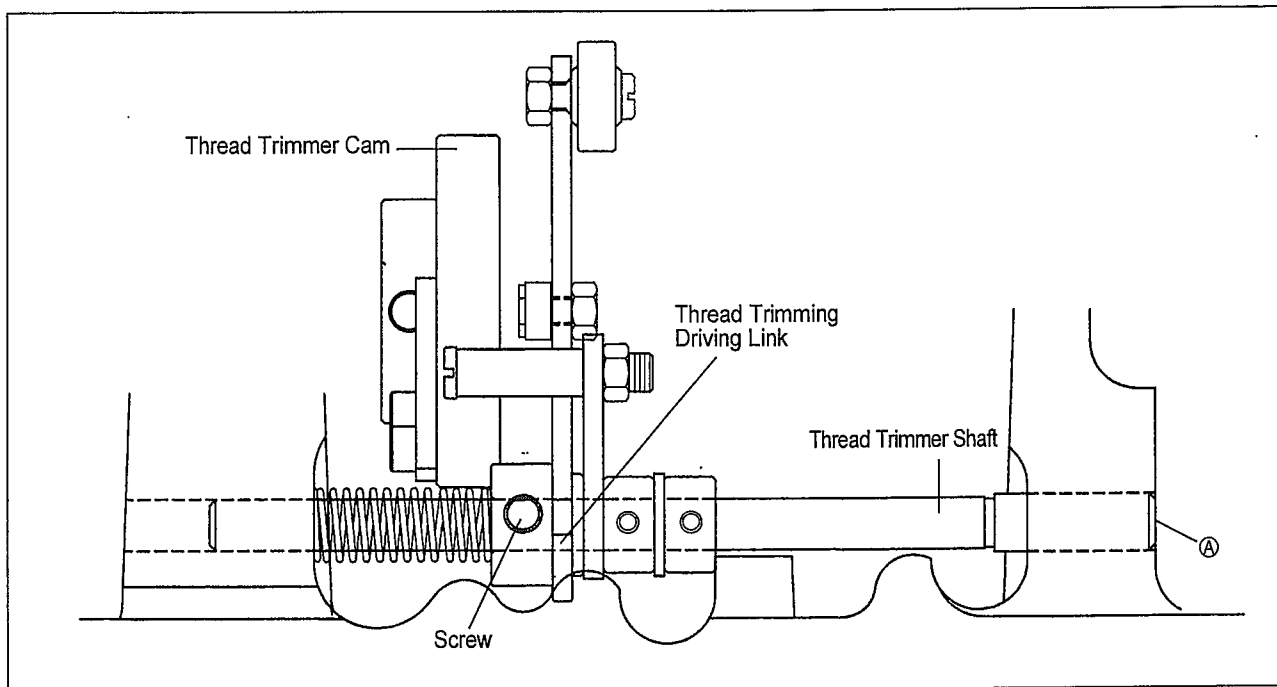
[Fig. 42]

C. Setting the trimming shaft in place

- Ⓐ Unfasten the trimming drive link screw and the trimming shaft collar screw.
- Ⓑ Make the trimming shaft tip accord with part Ⓐ of the arm.
- Ⓒ Tighten the screws.

[Caution]

If the position is not adjusted appropriately, trimming may not be operated correctly or the machine may be struck.



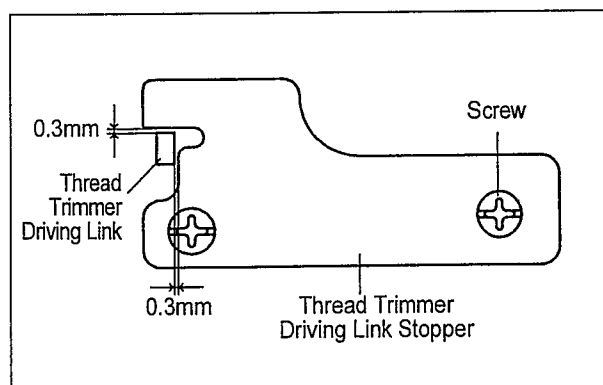
[Fig. 43]

D. Unfasten the link stopper in place

- Ⓐ Unfasten the trimming drive link stopper screw while trimming is not operated and have the trimming drive link and the trimming drive link stopper notch 0.3mm apart from each other.
- Ⓑ Tighten the screw.

[Caution]

If the link stopper is not set in the right position, trimming may not be operated correctly and the machine may be struck.



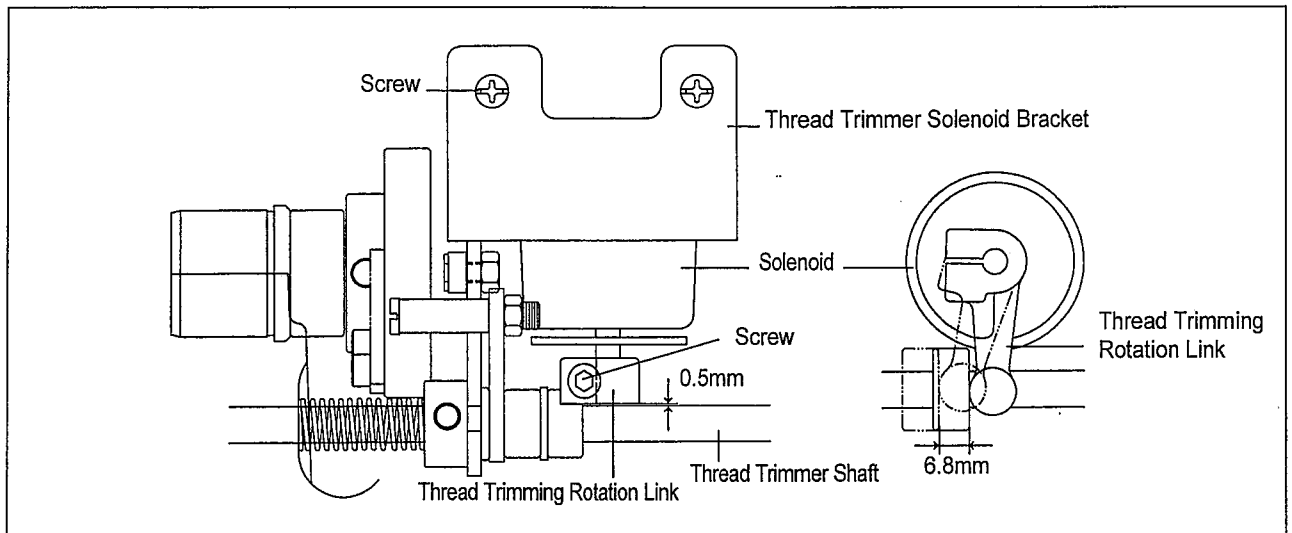
[Fig. 44]

E. Setting the thread trimming solenoid in place

- Ⓐ After unfastening the thread trimming solenoid bracket screw, have the trimming shaft and the thread trimming solenoid rotary link 0.5mm apart from each other and tighten the screw back on.
- Ⓑ Unfasten the thread trimming solenoid rotary link screw and drive the thread trimming solenoid rotary link manually to move the trimming shaft collar 6.8mm in the direction of the arrow. Then, tighten the screw back on.
- Ⓒ Check if the trimming shaft collar returns to its place when the thread trimming solenoid rotary link returns.

[Caution]

If the position is not set right, the trimming return or the thread delay may be delayed to bring poor sewing quality.



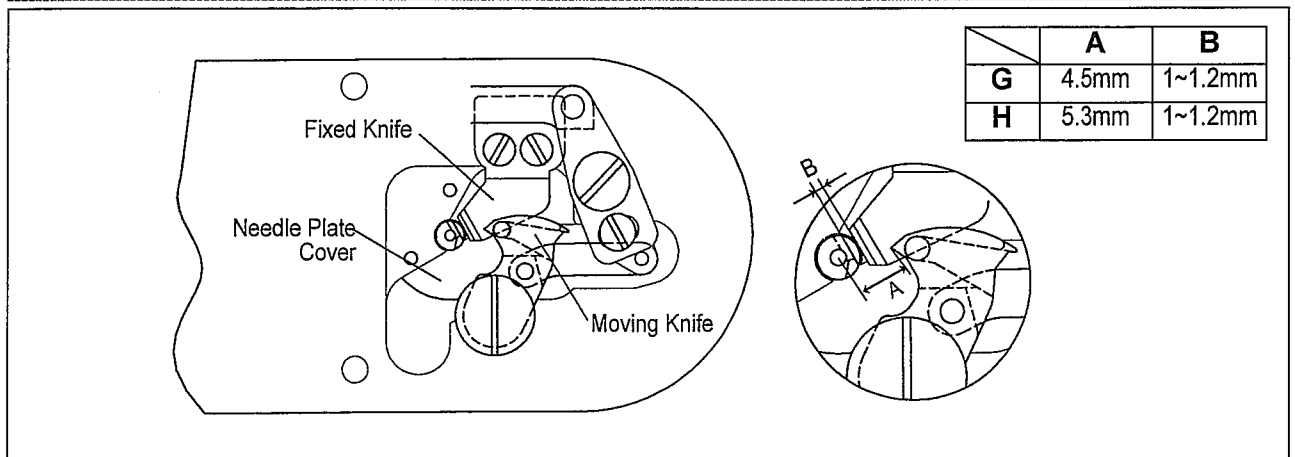
[Fig. 45]

F. Adjusting the moving knife and the fixed knife

- Ⓐ When the needle bar stops at the upper position, use the trimming lever adjustment screw to adjust space A between the thread separation point of the moving knife and the needle plate hole as indicated in the table.
- Ⓑ Use the fixed knife screw to adjust space B between the fixed knife and the needle plate cover as indicated in the table.
- Ⓒ After the adjustment, check the position of the knife by manual trimming operation.

[Caution]

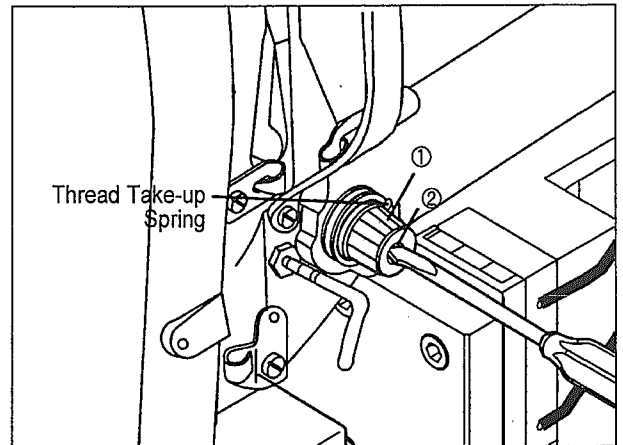
Trimming may not be operated or there may not be enough remaining thread if the knife is not set inappropriately.



[Fig. 46]

11) Adjusting the Main Thread Control Device

- A. When the tension control nut ① of the thread control device is turned clockwise, the upper thread is tightened and becomes loose as the nut is turned counterclockwise. Adjust the tension according to the sewing conditions such as material, thread, number of stitches etc.
- B. To tighten the take-up lever spring, use a driver to turn the groove ② on the edge facet of the thread tension control device shaft clockwise. And to make the spring lax, turn it counterclockwise.



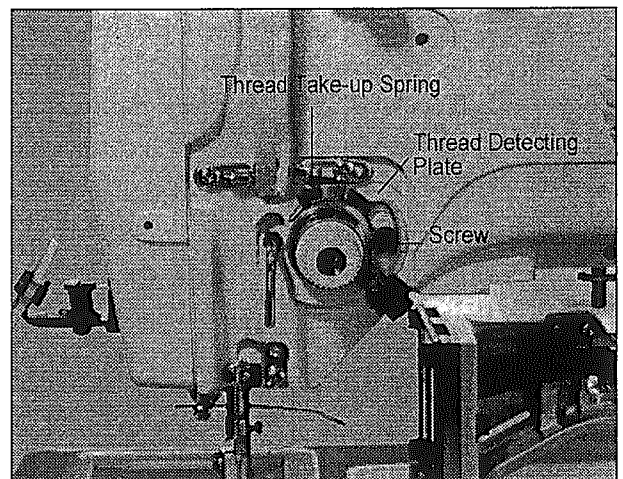
[Fig. 47]

12) Adjusting the Upper Thread Detecting Device

- A. Unfasten the thread detecting plate screw with the thread off the take-up spring and make the take-up lever spring touch the detecting plate. Then, tighten the screw.
- B. Be sure to adjust the detecting plate so the take-up lever spring and the detecting plate will connect with each other even when the take-up lever spring stroke changes.

[Caution]

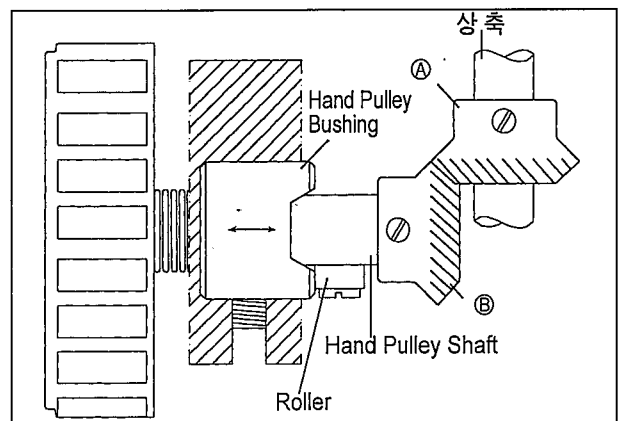
Be careful not to touch with any other metals except take-up lever spring. If it does, detection may be failed.



[Fig. 48]

13) Adjusting the Hand Pulley Device

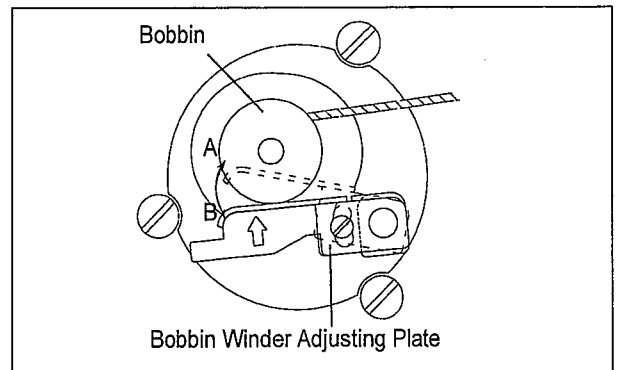
- A. Tighten the screw after putting the hand pulley gear ㉞ and the hand pulley shaft tip in accord.
- B. Adjust the variation of hand pulley gears ㉞ and ㉟ and tighten the screws.
- C. Move the bushing in the direction of the arrow to reduce the backlash between gears ㉞ and ㉟ when the roller is on the end of the pulley bushing.



[Fig. 49]

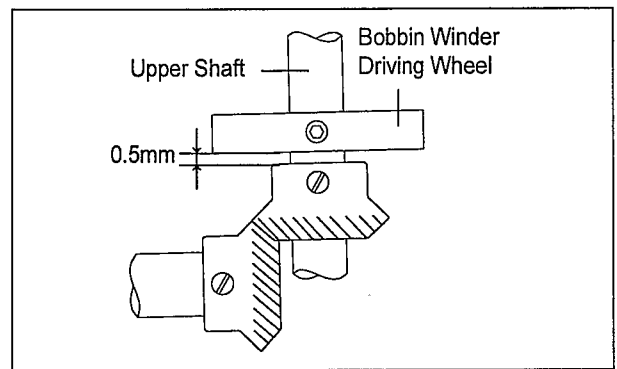
14) Adjusting the Winding Device

- A. To adjust the winding capacity of the bobbin, use the beginning position of the winding control plate, and after unfastening the screw, turn the plate in direction A for large winding capacity and turn in direction B for small winding capacity.



[Fig. 50]

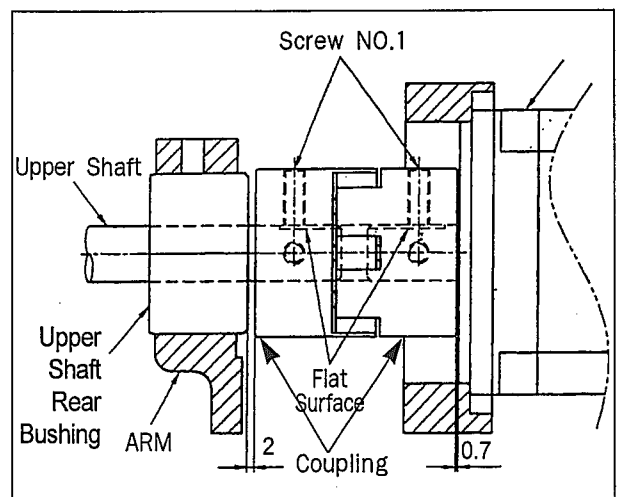
- B. Place the winding drive wheel 0.5mm away from the hand pulley gear and tighten the screw.



[Fig. 51]

15) Mounting the Direct Motor and Adjusting Method

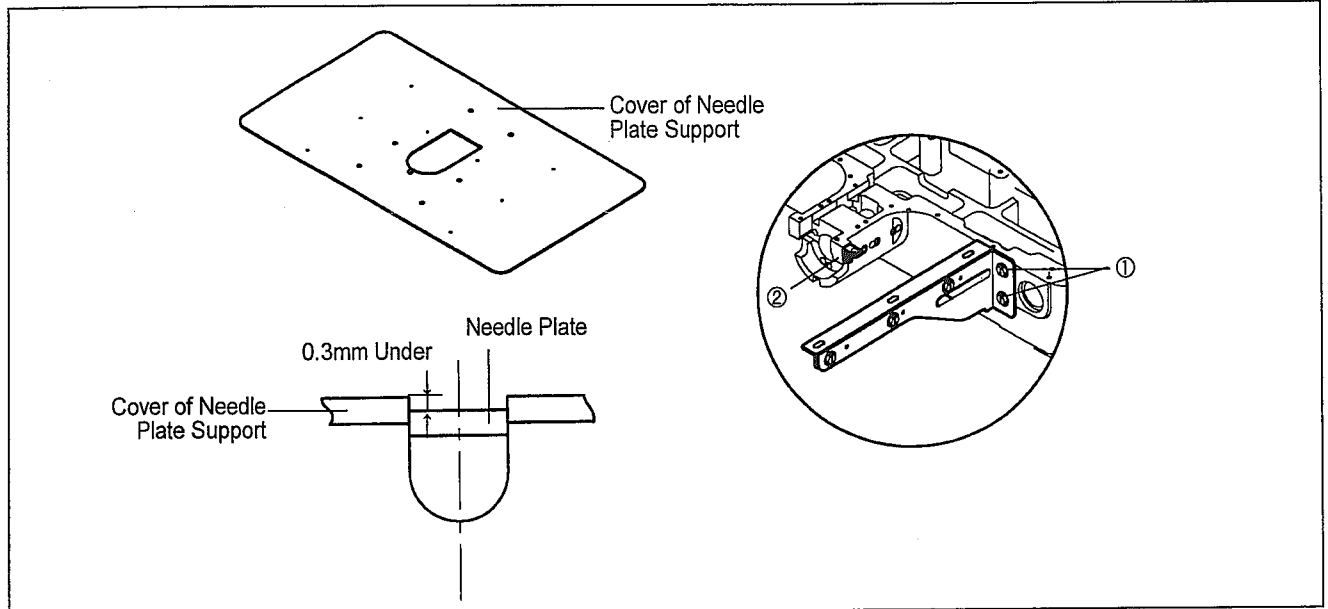
- A. When you mount the coupling on the servo motor, fit the screw No.1 of coupling to the flat surface of the servo motor shaft and make the clearance between the coupling and servo motor 0.7mm.
- B. When you mount the coupling on the upper shaft, fit the screw No.1 of coupling to the flat surface of the upper shaft and make the clearance between the coupling and upper shaft bushing(R) 2mm.
- C. After mounting both couplings, check the positions of each screws to the aligned.
- ※ If the positions of each screws are not aligned, the needle does not stop normal position.



[Fig. 52]

16) Adjusting the Height to Needle Plate Support Cover

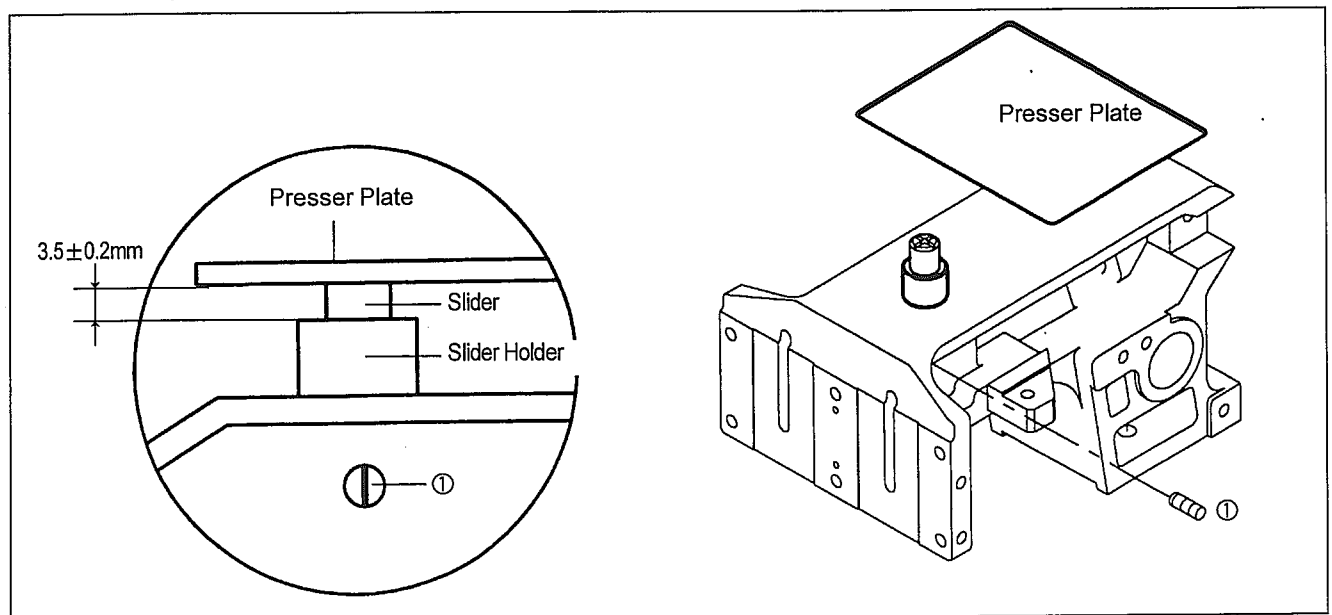
Loose the cover bracket fastening screw ① of needle plate support and the cover bracket A fastening screw ② of needle plate support, then fix the distance to be 0.3mm between the needle plate and cover of needle plate support.



[Fig. 53]

17) Adjusting the Height of Slider

Loosen the fixing screw ① of slide holder and adjust the gap of slider holder to be 0.3 ± 0.2 mm by turning the slider holder with a spanner.



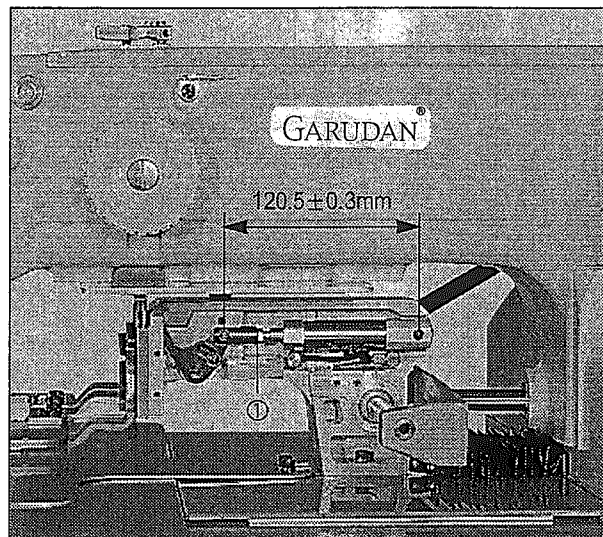
[Fig. 54]

18) Adjusting the Upper Under Stroke of Feed Plate

In the state that air cylinder inhales air to the maximum, loosen the nut ① and make the distance between the center of cylinder pin hole and the center of cylinder knuckle be $120.5 \pm 0.3\text{mm}$. After adjusting, fix the cylinder knuckle tightly with the nut ①.

[Caution]

If the distance, $120.5 \pm 0.3\text{mm}$ is too short, the upper feed plate does not descend perfectly so you can't see the sewing materials. In that case, the material can be twisted.



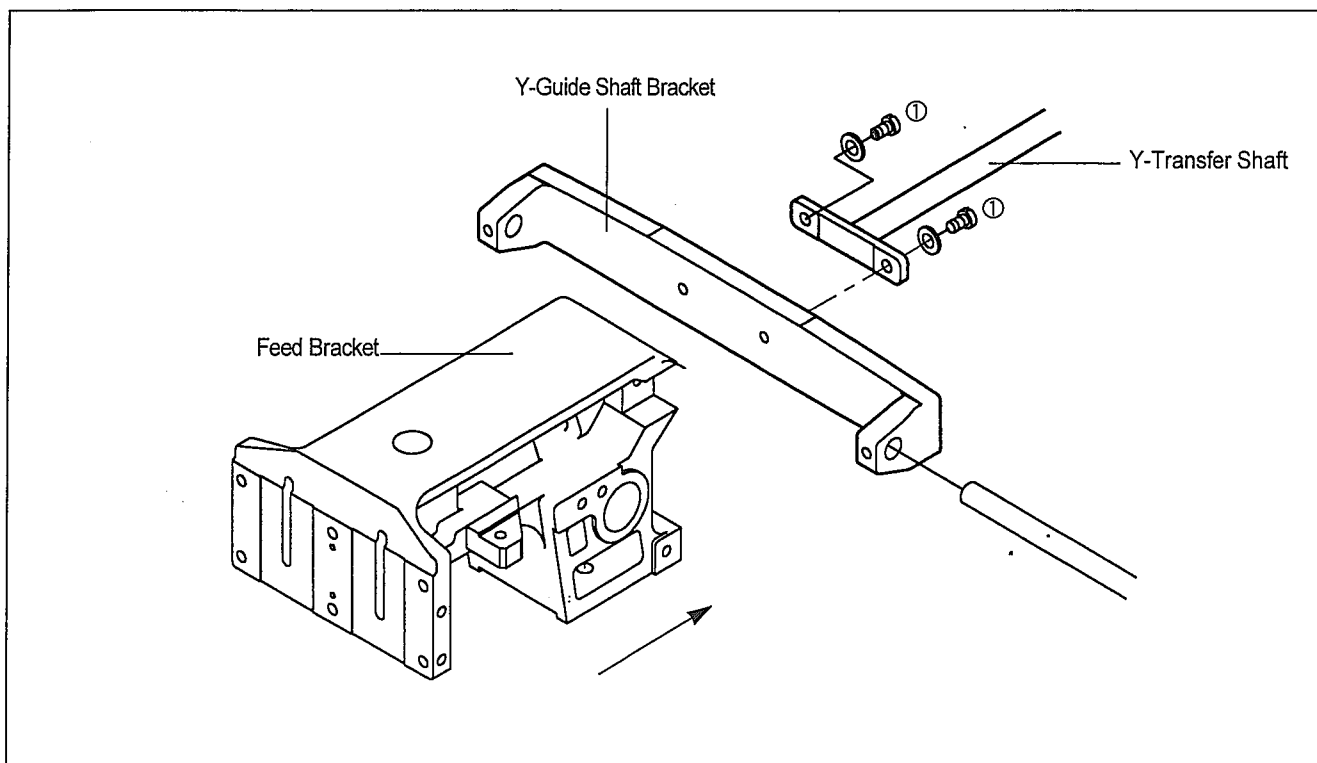
[Fig. 55]

19) Adjusting the X-Guide Bracket

Incline the guide bracket to the direction of "→" to the maximum manually. Loosen the fixing screws for Y-transfer shaft ① and adhere the side of y-transfer shaft and the side of X-guide shaft bracket closely, then fix the Y-transfer shaft ①.

[Caution]

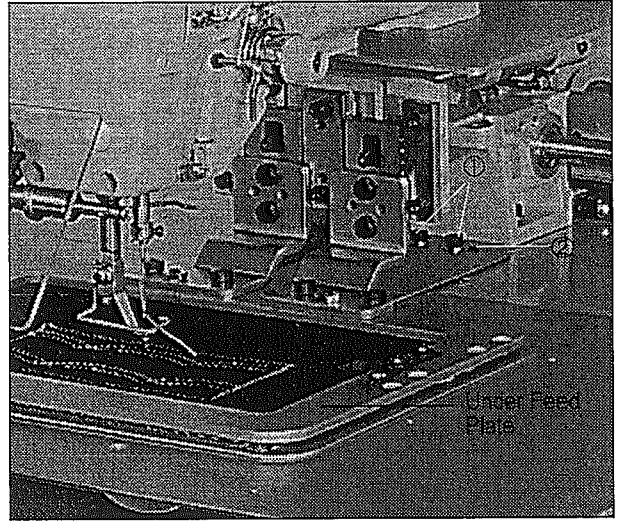
After fixing the Y-transfer shaft screws ①, the X-guide shaft bracket should not move at all by load even though when you move manually the feed bracket to the right and left.



[Fig. 56]

20) Adjusting the Under Feed Plate

When the fixing screws ① and pin ② are fixed, location of under plate is settled. If you want to change the position of under plate, you can take off the pin ②.



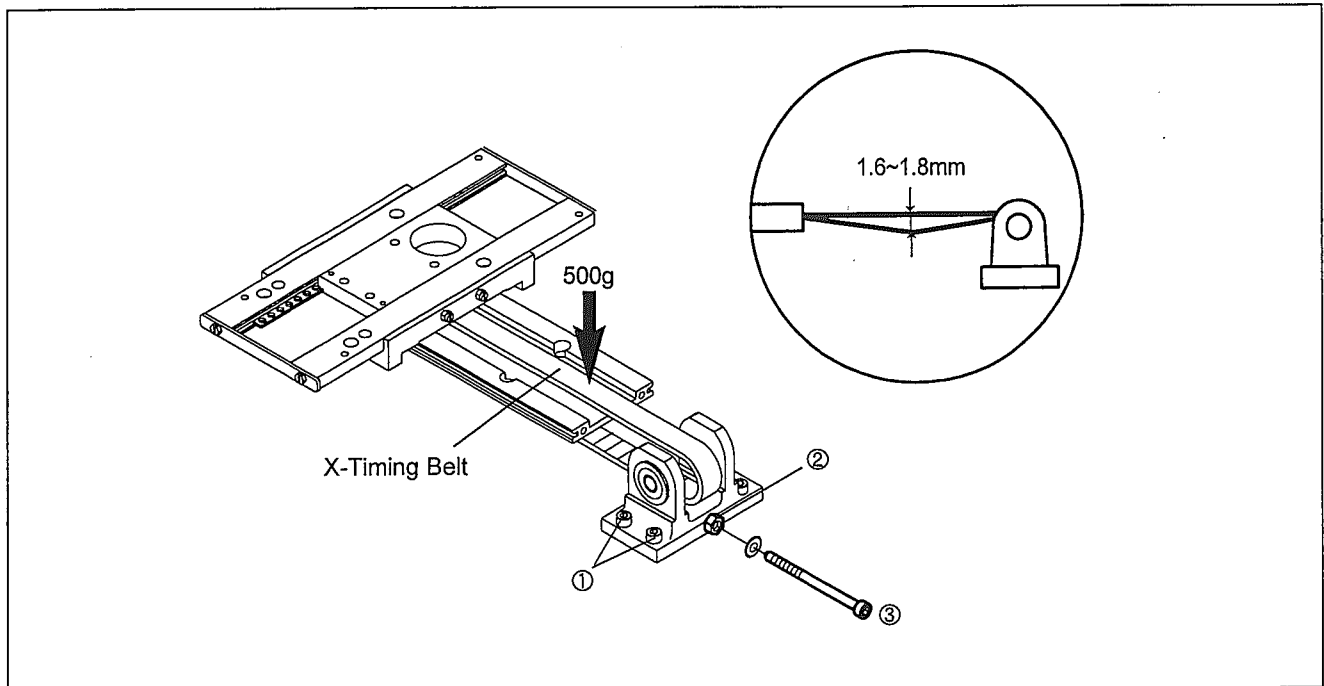
[Fig. 57]

21) Adjusting the Tension of X-Timing Belt

When you make X-Y rail move to the left limit and hang 500g load on the center in the right side of X-timing belt, the X-timing belt will be drooping about 1.6~1.8mm. At this time, for the fine adjustment of tension, loosen the fixing screw ① and nut ② to use the adjusting bolt ③ for timing belt tension.

[Caution]

After adjusting the tension with the adjusting bolt ③ for timing belt tension, if you fasten the fixing screw ① and nut ②, the tension can be changed, so that you should confirm the bending capacity.

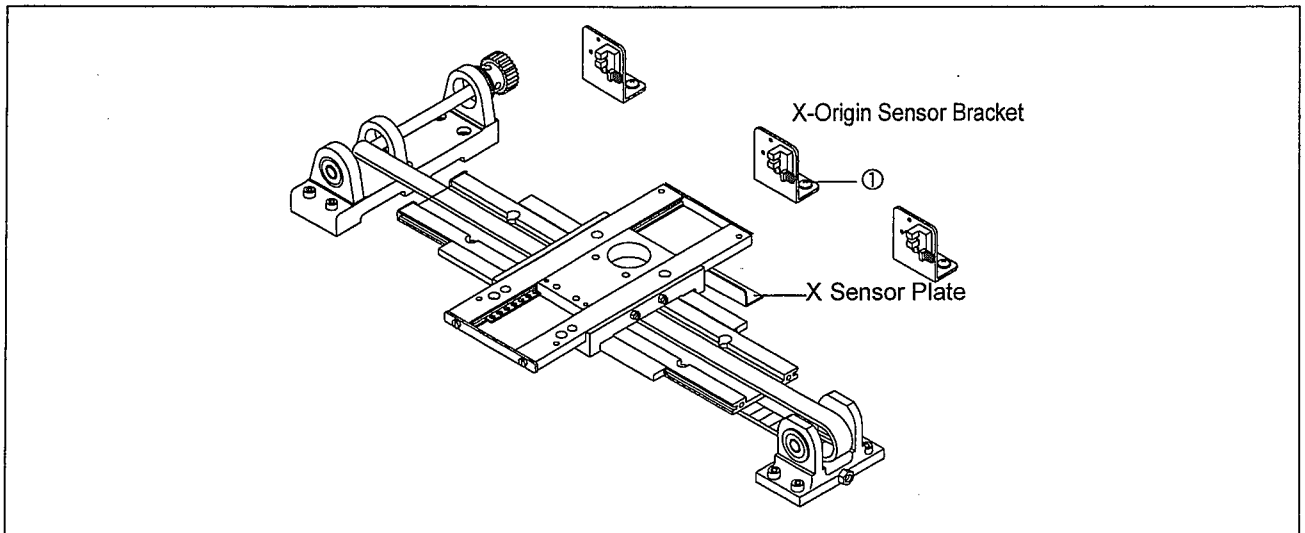


[Fig. 58]

22) Setting the X-Y Origin

A. How to set the X-shaft origin

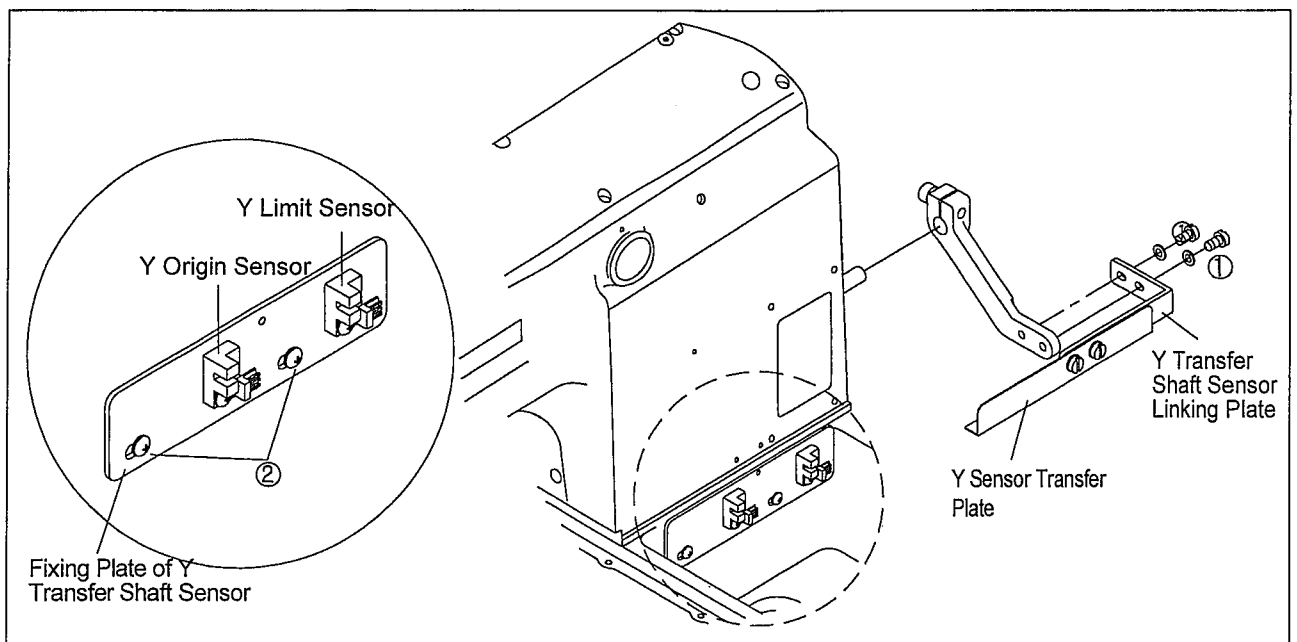
- Ⓐ Separate the under feed plate from X-fixing cover and transfer cover.
- Ⓑ Move the center of upper feed plate to be located the center in the direction of X shaft.
- Ⓒ As seen in the below figure, release the 2 fastening screws ① of X shaft origin sensor bracket and make the X-sensor plate that is adhered to X-Y transfer devices locate the center of sensor, then fasten the screws with (+) driver.



[Fig. 59]

B. How to set the Y-shaft origin

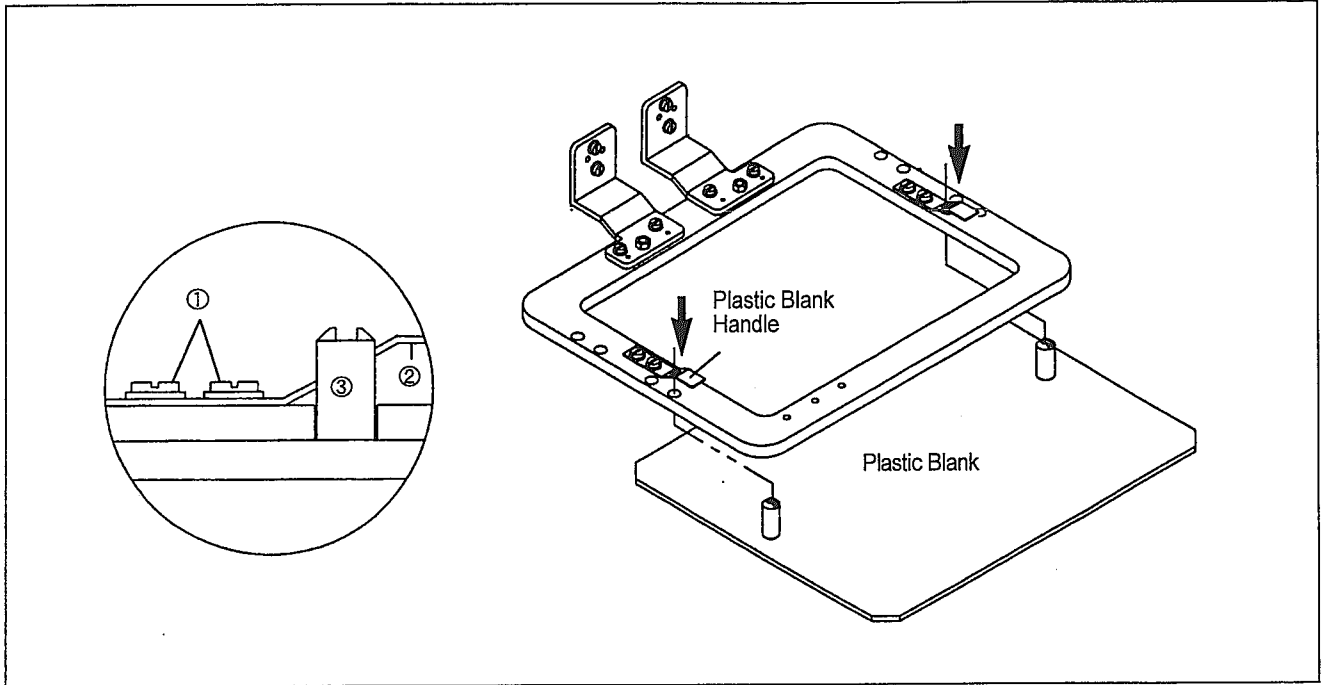
- Ⓐ Separate the set the X-shaft origin.
- Ⓑ Move the center of upper feed plate to be located the center in the direction of X shaft.
- Ⓒ As seen in the below figure, release the 2 fastening screws ① of Y transfer shaft sensor linking plate and confirm if the Y-sensor transfer plate and sensor works independently, then the fixing screws ①.
- Ⓓ Adjust the Y direction origin with the fixing screws ② of Y-transfer shaft sensor fixing plate.



[Fig. 60]

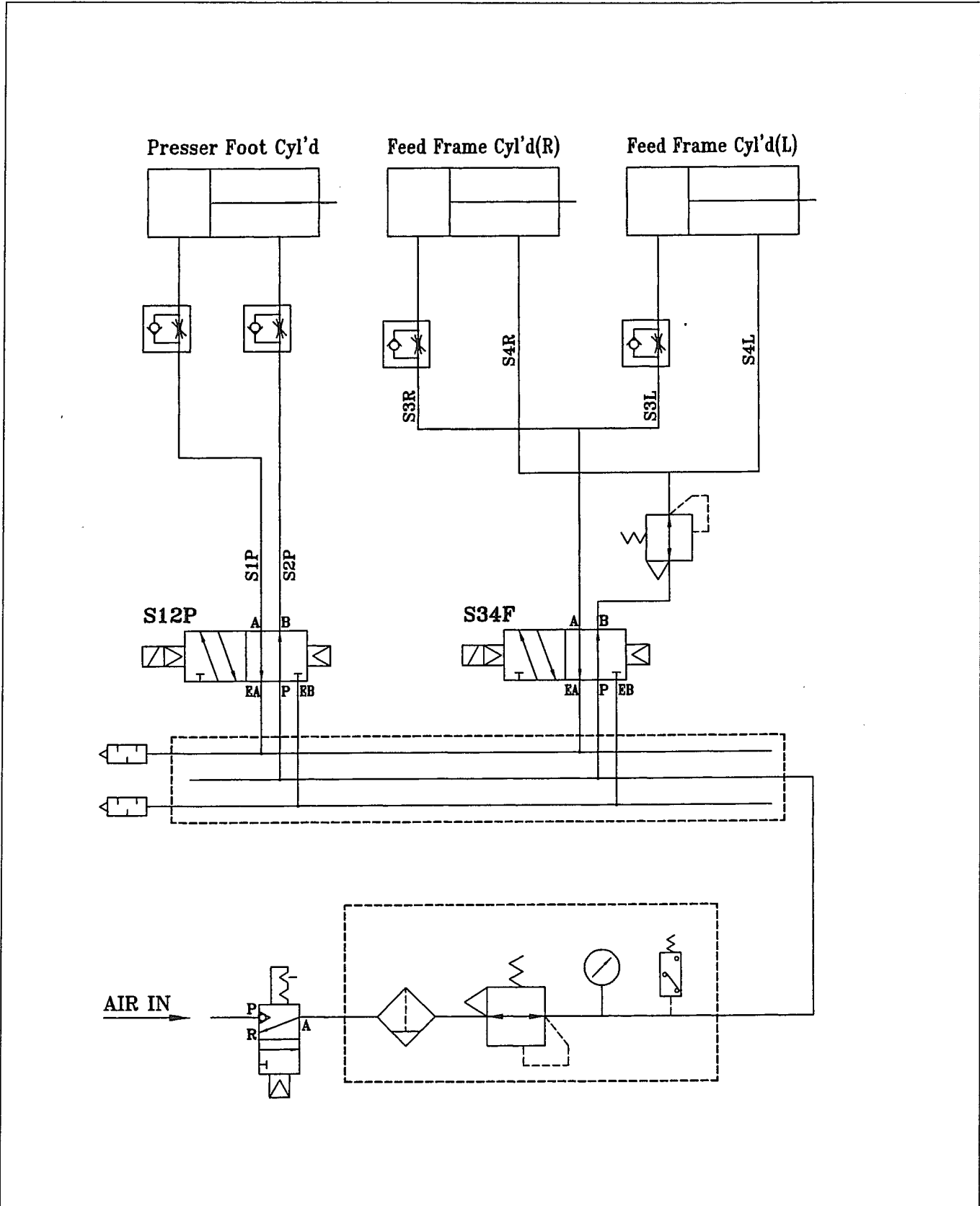
23) Adjusting the Position of Plastic Blank

After unfastening the fixing screws ① and pressing down the plastic blank handle ② to the A direction, adjust the position of plastic blank to be adhered to a hinge pin ③, then fasten again the fixing screw ①.



[Fig. 61]

24) Air System Circuit Diagram(GPS/B-1811-□□-20)



7

CAUSE OF BREAK-DOWN AND TROUBLESHOOTING

| No. | Typed of Break-down | Cause | Troubleshooting |
|-----|--|--|--|
| 1 | Error on operation or drive of machine | Loosing of belt tension and damage on belt | Adjust the belt tension or exchange it |
| | | Fuse shortage for main power or circuit | Check the fuse shortage of main shaft drive motor in a controller box or exchange it |
| | | Deviation from Y and Y limit of feed bracket | Move the feed bracket to normal place (inside limit switch) |
| 2 | Bad position of stopping position | Slackness of main drive belt | Adjust the belt tension |
| | | Wrong position of upper shaft sensor plate or photo sensor | Adjust the position of upper shaft sensor plate or exchange the photo sensor |
| 3 | Needle bent | Damage on needle(Bending of needle, cracks on needle hole or groove, and abrasion or transformation of needle tip) | Exchange the needle |
| | | Wrong installation of needle | Install the needle properly |
| | | Contact of needle with shuttle | Adjust the distance properly between a needle and shuttle |
| 4 | Thread is cut | Wrong insertion of thread | Insert the thread properly |
| | | Wrong installation of needle (Height of needle or direction of needle) | Reinstall the needle |
| | | Damage on needle(Bending of needle, cracks on needle hole or groove, and abrasion or transformation of needle tip) | Exchange the needle |
| | | Excessive tension of upper thread and under thread | Adjust the tension |
| | | Excessive tension and stroke of take-up lever spring | Adjust the tension and stroke of take-up lever spring |
| | | Crack on the controlling hole of shuttle surface spring | Exchange the shuttle surface spring |
| 5 | Stitch skipping | Use of bending needle | Exchange the needle |
| | | Use of improper sized needle compared with using thread | Exchange the needle |
| | | Wrong installing of needle | Reinstall of needle |
| | | Improper timing for a needle and shuttle | Reinstall the timing for a needle and shuttle |
| | | Large interval between a needle groove and shuttle point | Reinstall the downward point of needle |
| | | Excessive tension of take-up lever spring and stroke | Adjust the tension of take-up lever spring and stroke |

| No. | Type of Break-down | Cause | Troubleshooting |
|-----|-----------------------------------|---|---|
| 6 | Ineffective sense of upper thread | Bad connection between take-up lever spring and detecting plate | Clean up the take-up lever spring and detecting plate. Adjust the tension of take-up lever spring and connecting condition of detecting plate |
| | | Bad connection of wire with thread sensor plate | Reconnect the wire with thread sensor plate |
| 7 | Poor quality of thread tightening | Weak tension of upper thread | Adjust the tension of upper sensor |
| | | Weak tension of under thread | Adjust the tension of upper sensor |
| | | Improper timing of needle and shuttle | Readjust the timing of needle and shuttle |
| 8 | Mistakes of trimming | Slackness of exchange tension between moving mes and fixed mes | Adjust the tension of fixed mes |
| | | Groove abrasion on blade of moving mes and fixed mes | Exchange the moving and fixed mes |
| | | Wrong position of trimming cam | Readjust the position of trimming cam |

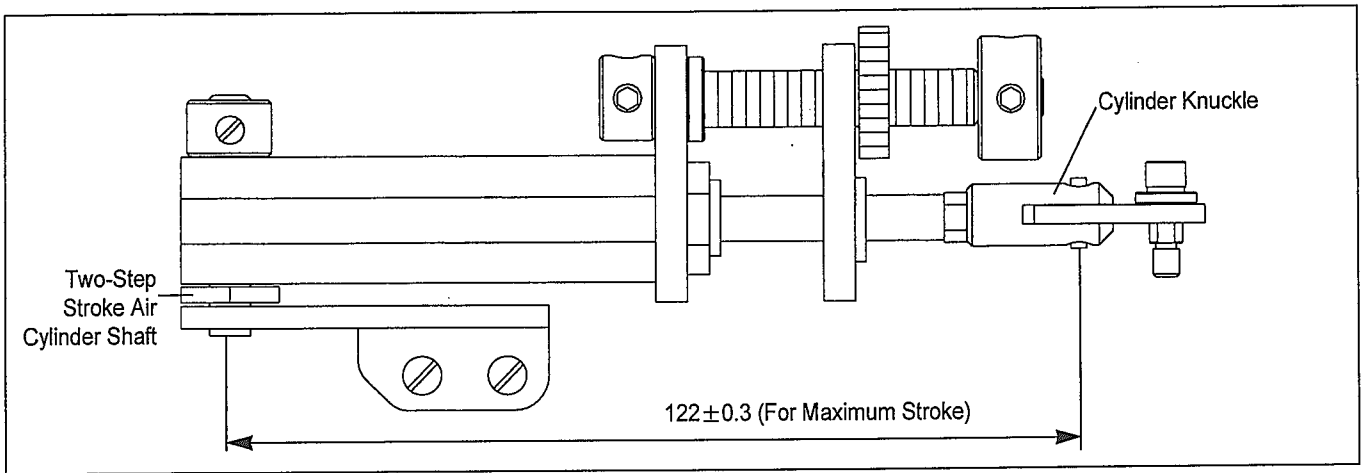
GPS/B-1811-HS-21

1) Specification

It is the same as the specification of GPS/B-1811-HS-20

2) Adjusting the Initial Position of Two-Step Stroke Air Cylinder

Adjust the distance between the center of two-step stroke air cylinder shaft and the center of cylinder knuckle to be 112.5 ± 0.3 mm.



[Fig. 62]

3) Adjusting the Middle Stop Position of Upper Feed Plate

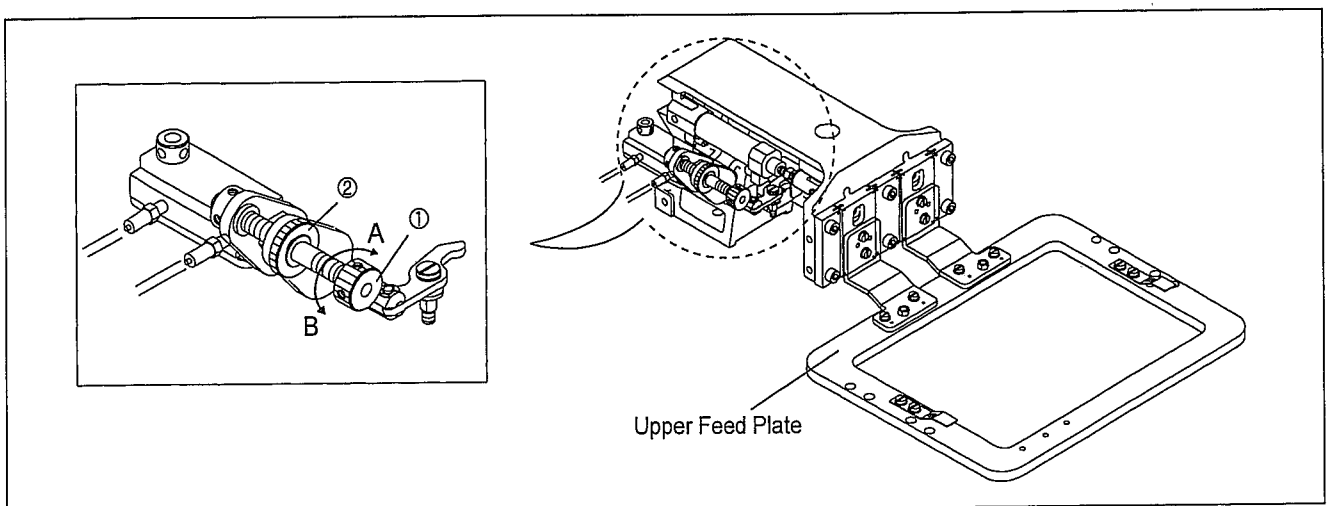
Adjust the middle stop position of upper feed plate to have efficient height for working according to the position of sewing materials. Fit the gap between the upper feed plate and sewing materials to be 1mm.

► How to adjust

Ⓐ Loosen the cylinder stroke adjusting nut ①.

Ⓑ Turn the cylinder bracket fixing nut ② to make the middle stop position a little higher than thickness of sewing materials. If you turn the cylinder bracket fixing nut ② to the direction of A, the middle stop position will be higher, but in direction of B, lower.

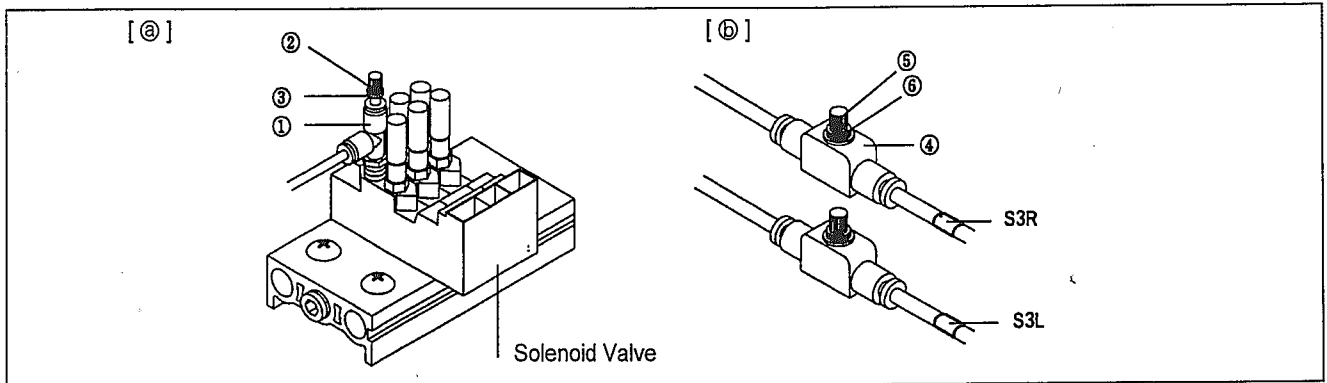
Ⓒ Fasten the cylinder stroke adjusting nut ① for sure.



[Fig. 63]

4) Adjusting the Speed for Ascension Ascent of Upper Feed Plate

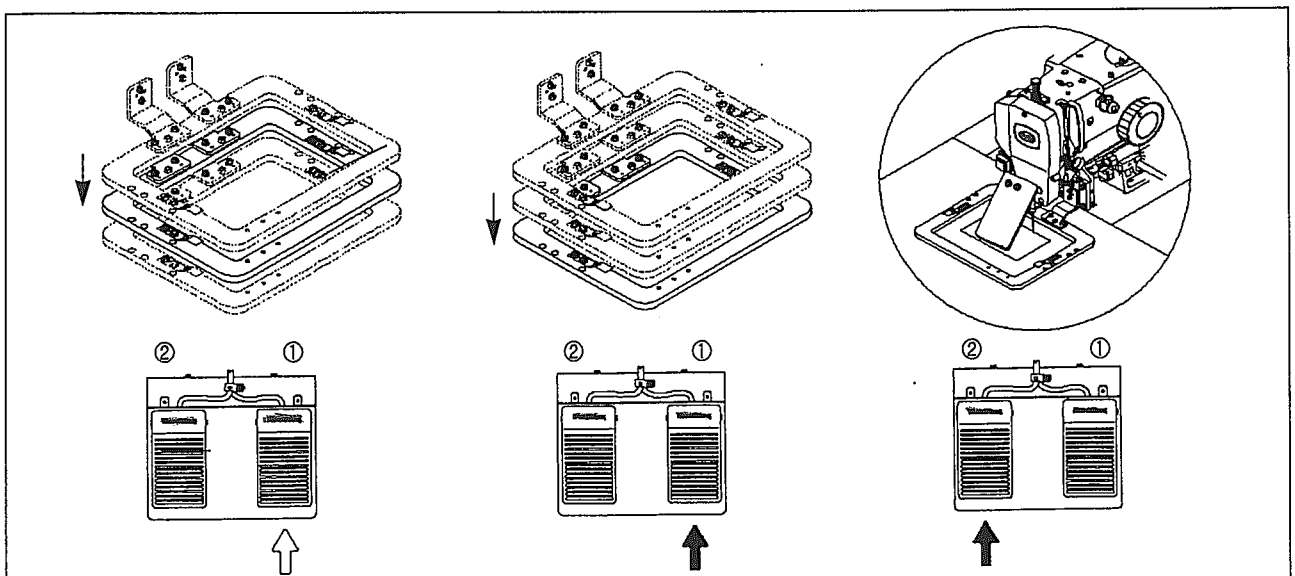
- A. Like the Fig. ③, if you turn a handle ② on reducing valve ① of solenoid valve attached to the bottom of table clockwise, the ascending speed of upper feed plate and support pressure during ascending will be increased, if you turn it counterclockwise, they are reduced, so that you should adjust it to be proper speed and fix them with fixing nut ③. (1.0~1.5kgf/cm²)
- B. Like the Fig. ④, if you turn a handle ⑤ of speed controller ④ clockwise, the descending speed of upper feed plate will be reduced, if you turn it counterclockwise, the descending speed will be increased. After adjusting it to be proper speed, fix it with fixing nut ⑥.
(Both left and right feed plate should have same speed.)



[Fig. 64]

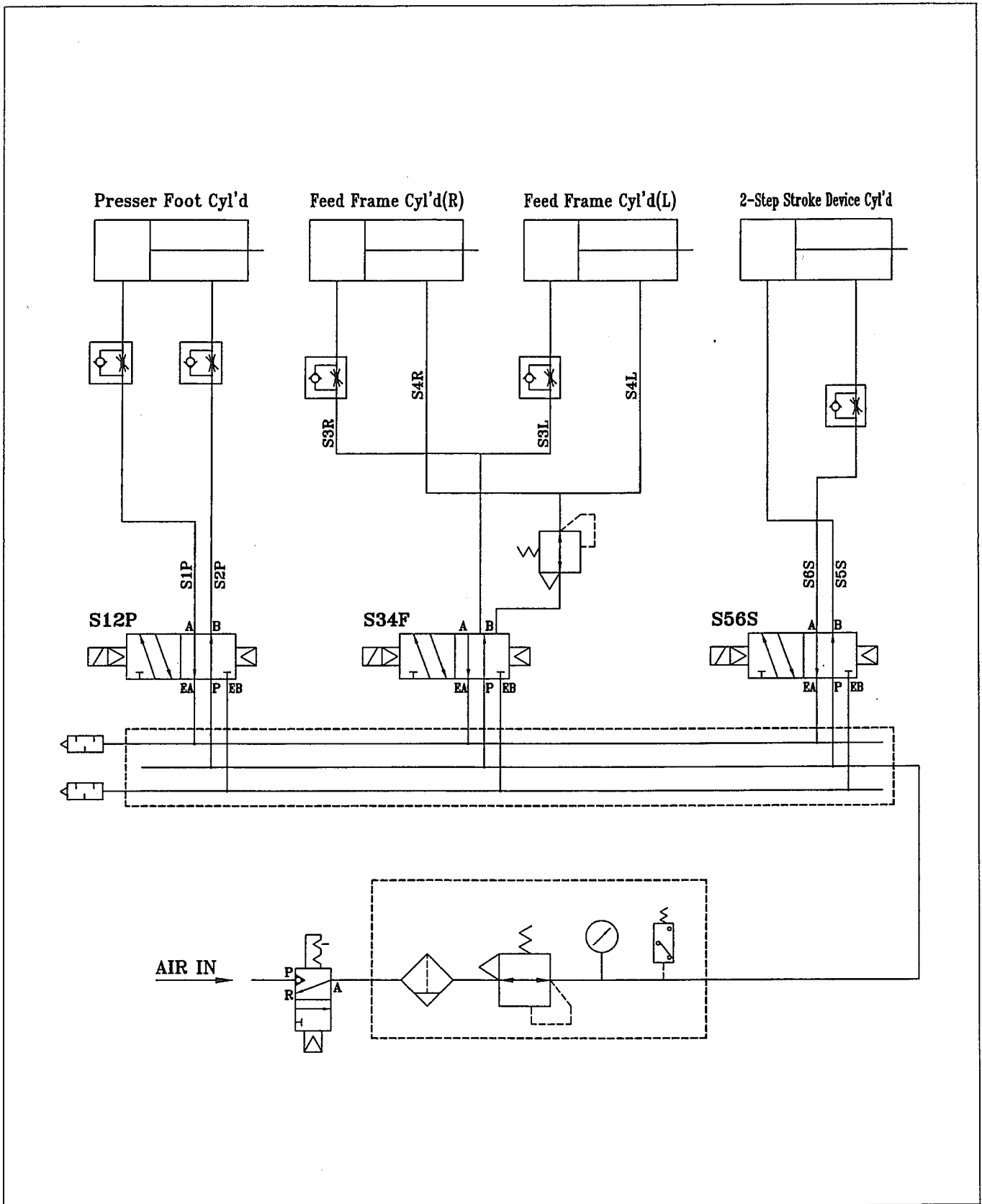
5) How to Use the Pedal Switch

- A. Check the parameter, related to general sewing(function no.60), is set to "1". If not, please set the parameter to 1. (Refer to 7.29) change of parameter related to general sewing).
- B. The pedal switch has two pedals, the right one ① moves the upper feed plate, the left one ② makes the sewing machine start.
- C. Application
- ⓐ The right pedal① has two step switch, if you step on the first step, the upper feed plate descends to the intermediate position. (If you step off the right pedal ①, the upper feed plate ascends to the initial position)
 - ⓑ When the right pedal① is fully stepped, the upper feed plate fully descends to the sewing machine. (If you fully step on the right pedal① again, the upper feed plate ascends to the initial position).
 - ⓒ If you step on the left pedal ②, the machine starts sewing.



[Fig. 65]

6) Air System Circuit Diagram (GPS/B-1811-HS-21)



9

GPS/B-1811-HS-22

1) Specification

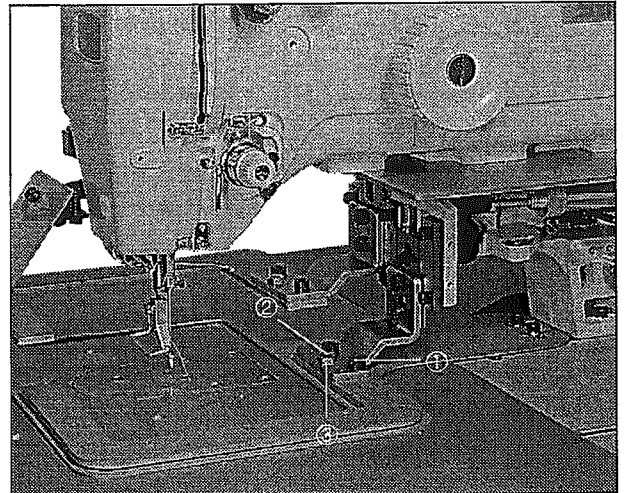
It is the same as the specification of GPS/B-1811-HS-20.

2) Adjusting the Angle of Upper Feed Plate (Both Right and Left)

When the upper feed plate (both right and left) is parallel with a needle plate, pressure to press down the sewing materials of the front side of upper feed plate is insufficient. In that case, keep the upper feed plate (both right and left) 3mm above surface of the needle plate.

▶ How to adjust

- Ⓐ After loosen a cramp fixing screw ① of feed plate and linking nut ③, turn the linking screw ② clockwise, the front side of upper feed plate comes to descend.
- Ⓑ After adjusting angle, fasten the cramp fixing screw ① of feed plate and linking nut ③.



[Fig. 66]

3) Adjusting the Initial Position of Air Cylinder

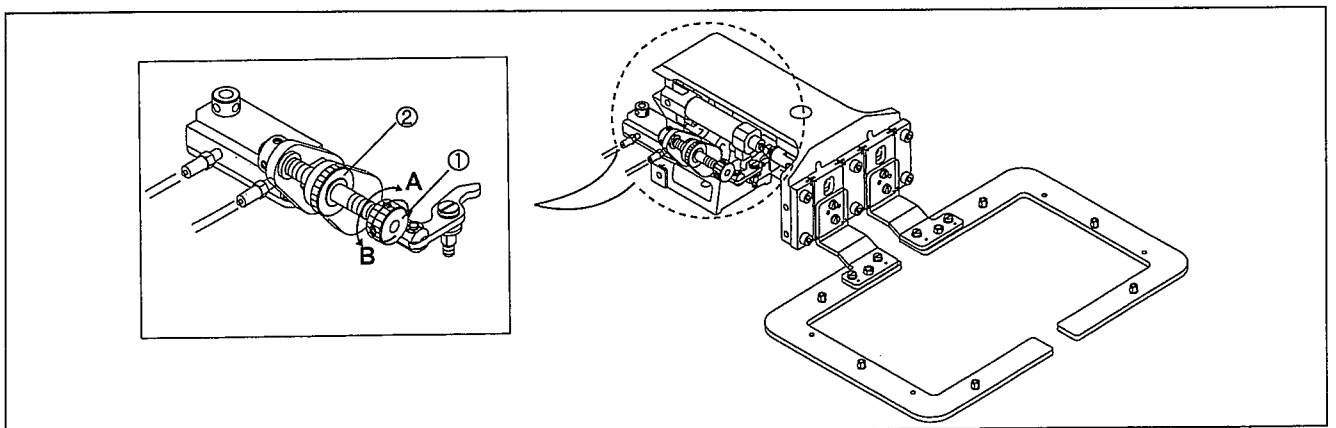
Adjust the distance from a center of two-step stroke air cylinder shaft and a center of cylinder knuckle to be $112.5 \pm 0.3\text{mm}$.

4) Adjusting the Middle Stop Position of the Left Upper Feed Plate

Adjust the middle stop position of the left upper feed to be suitable for working according to the position of sewing materials. Fit the gap between the upper feed plate and sewing materials to be 1mm.

▶ How to adjust

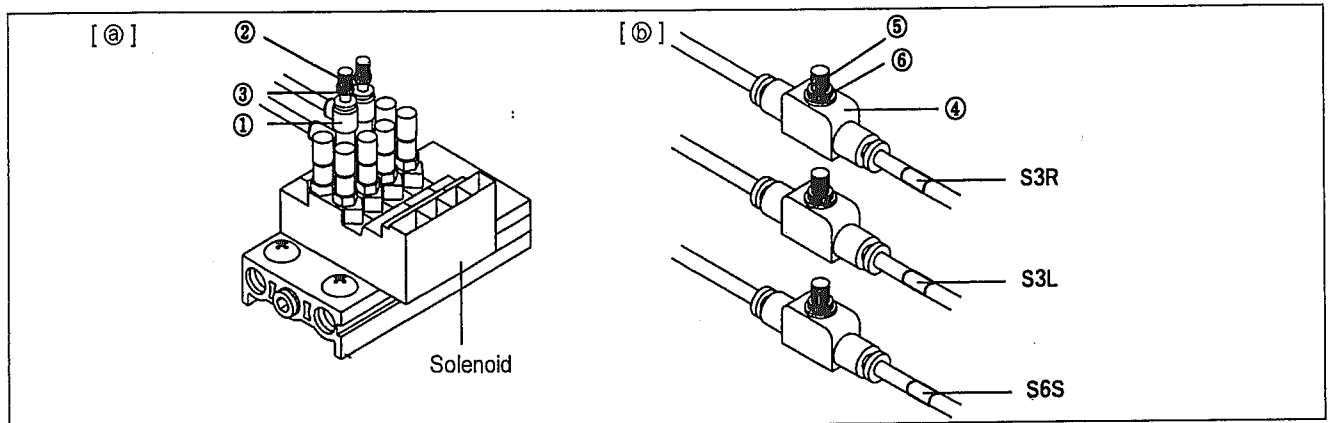
- Ⓐ Loosen the cylinder stroke adjusting nut ②.
- Ⓑ Turn the cylinder bracket fixing nut ① to make the middle stop position a little higher than thickness of sewing materials. If you turn cylinder bracket fixing nut ① to the direction of A, the middle stop position will be lower.
- Ⓒ Fasten the cylinder stroke adjusting nut ② for sure.



[Fig. 67]

5) Adjusting the Speed for Ascension and Descent of Upper Feed Plate

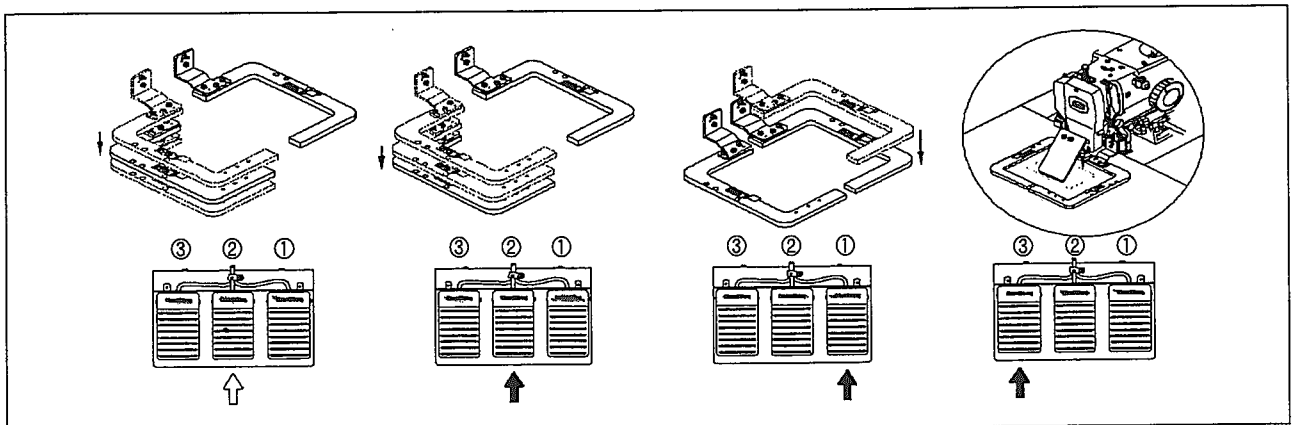
- A. Like the fig. ⑤, if you turn a handle ② on reducing valve ① solenoid valve attached to the bottom of table clockwise, the ascending speed of upper feed plate and support pressure during ascending will be increased, if you turn it counterclockwise, they are reduced, so that you should adjust it to be proper speed and fix them with fixing nut ③.
- B. Like the fig. ⑥, you turn a handle ⑤ of speed controller ④ clockwise, the descending speed of upper feed plate will be reduced, if you turn counterclockwise, the descending speed will be increased. After adjusting it to be proper speed, fix it with fixing nut ⑥.



[Fig. 68]

6) How to Use the Pedal Switch

- A. Check the parameter, related to general sewing (function no.60), is set to "5".
If not, please set the parameter to "5" (Refer to 7.29)Change of parameter related to general sewing).
- B. The pedal switch has three pedals, the right one ① moves the right upper feed plate, the intermediate one ② moves the left upper feed plate and the left one ③ makes the sewing machine start.
- C. Application(Standard type)
- ⑤ The inter mediat pedal ② has two step switch, if you step on the first step, the left upper feed plate descends to the intermediate position. (If you step off the pedal ②, the left upper feed plate ascends to the initial position).
 - ⑥ When the intermediate pedal ② is fully stepped, the left upper feed plate fully descends to the sewing material.
 - ⑦ When you step on the right pedal ①, the right upper feed plate descends to hold the sewing material. (If you step on the right pldal ① again, the right upper feed plate ascends to the initial position)
 - ⑧ When both of the upper feed plates are descended, if you step on the left pedal ③, the machine starts.

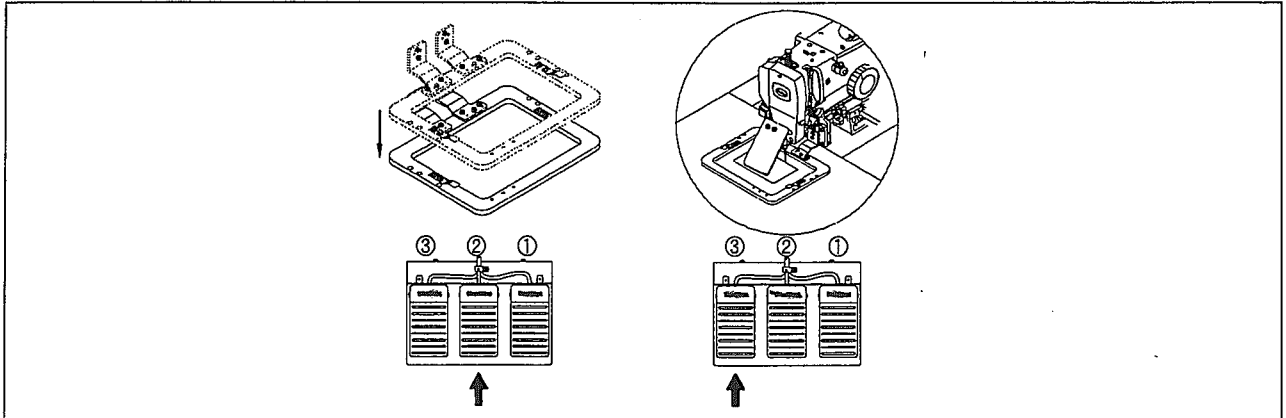


[Fig. 69]

D. In case of attaching mono lithic feeding plate

㊦ In case of un-using 2-step stroke.

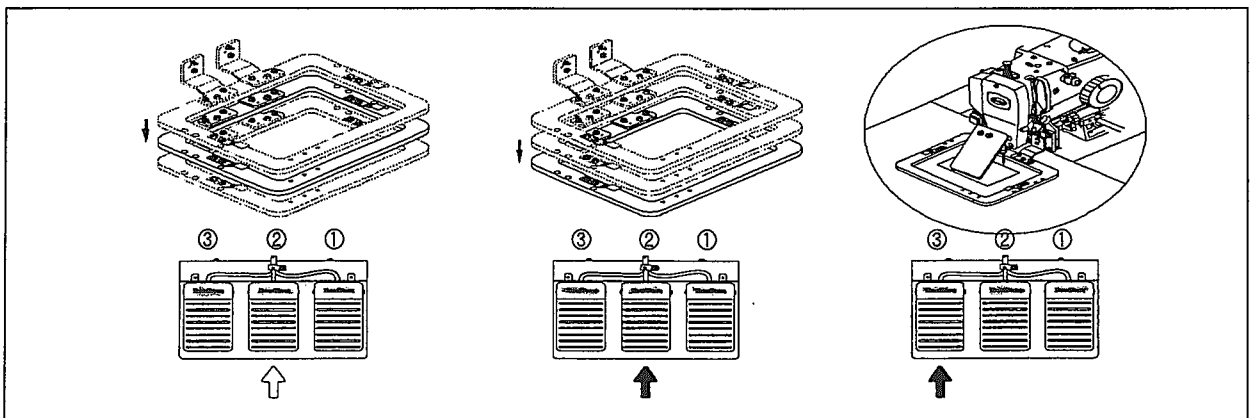
- a. Set the parameter, related to the general sewing (function no.60), to 0.
- b. If you fully step on the intermediate pedal ②, the upper feed plate descends to the sewing material.
- c. If you step on the left pedal ③, the machine starts sewing.



[Fig. 70]

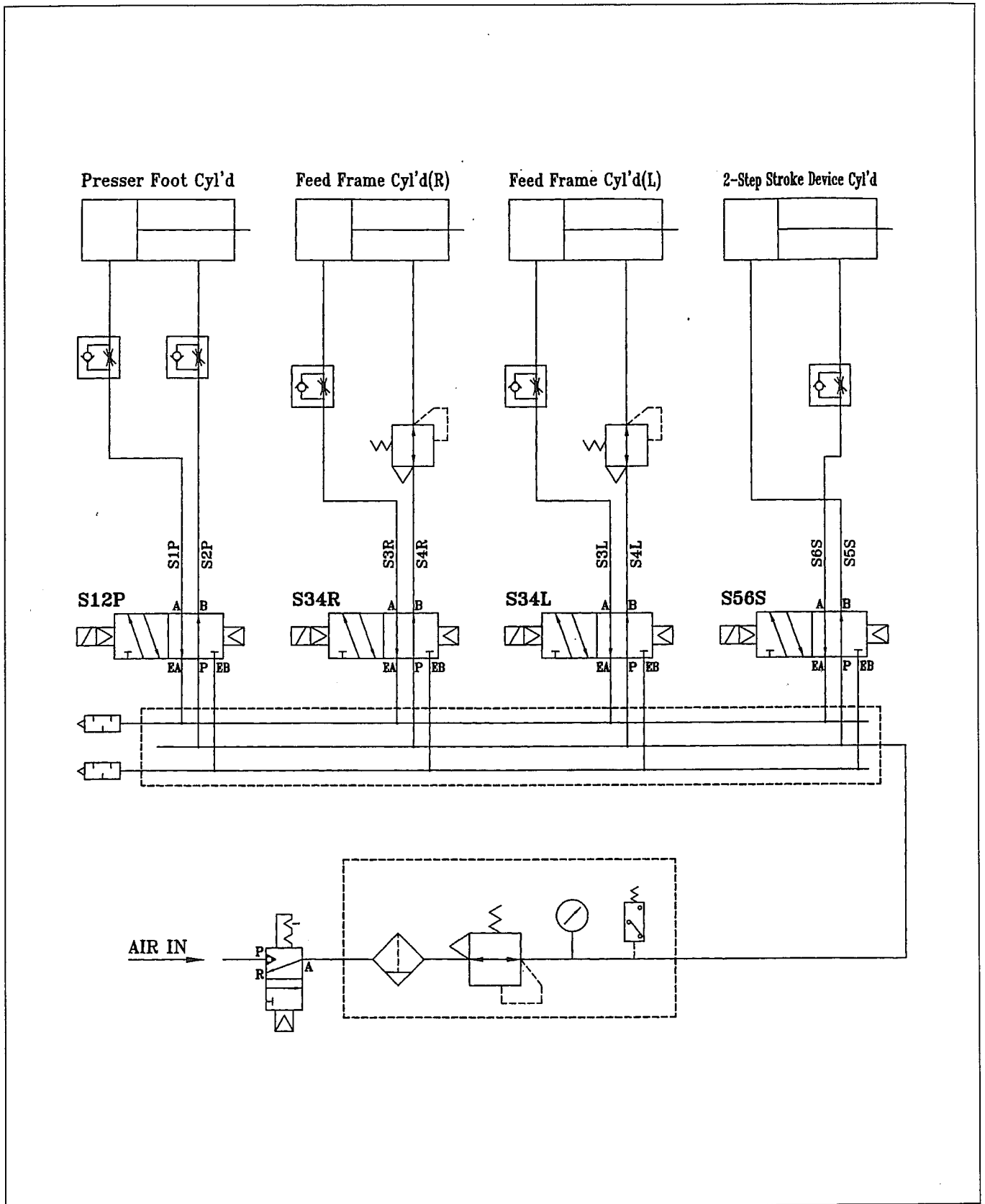
㊦ In case of using 2-step stroke.

- a. Set the parameter, related to the general sewing (function no.60) to 1.
- b. If you step on the first step of the intermediate pedal ②, the upper feed plate descends to the intermediate position. (If you step off the pedal ②, the upper feed plate ascends to the initial position).
- c. When the intermediate pedal ② is fully stepped, the upper feed plate fully descends to the sewing material.
- d. If you step on the left pedal ③, the machine starts sewing.



[Fig. 71]

7) Air System Circuit Diagram (GPS/B-1811-HS-22)



10

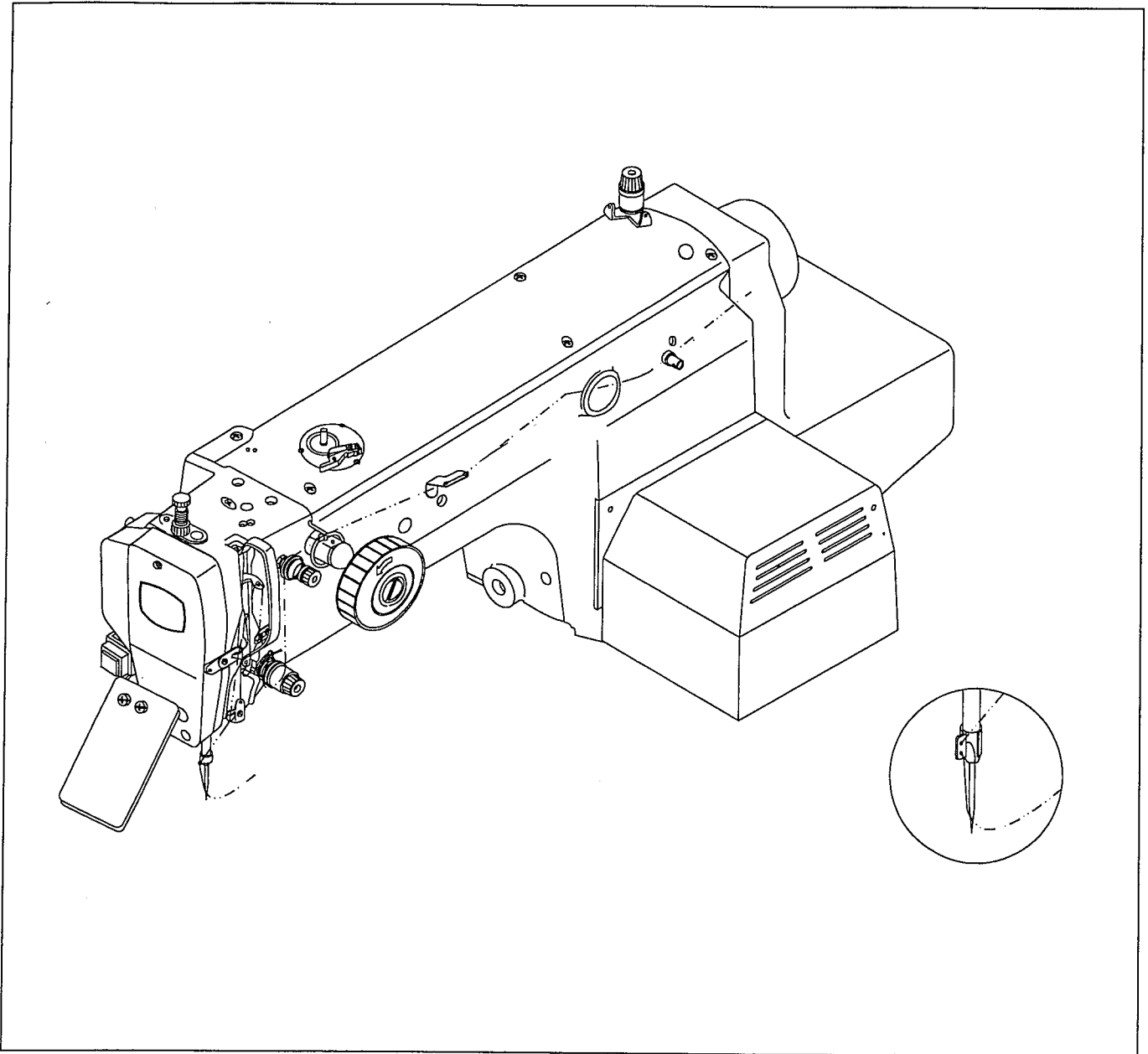
GPS/B-1811-GS-20 (21, 22)

1) Machine Specifications

The same as type GPS/B-1811-HS-20 (21,22).

2) How to Hook the Upper Thread

After placing the thread take-up at the highest position hook the thread as indicated in the picture below. Hook the thread as shown in picture A for the needle bar thread guide.



GPS/B-1811-HP(GP)-□□

1) Specifications

| | |
|---------------------------------|---|
| Sewing Area | X × Y:110mm × 180mm |
| Sewing Speed | Max. 2000spm(Stitch Length:3mm or less) |
| Stitch Length | 0.1~12.7mm |
| Needle | DP × 17, DP × 5 |
| Needle Bar Stroke | 41.2mm |
| Hook | Semi-Rotary Large Shuttle Hook (Perfect Stitch) |
| Bobbin Case | Bobbin Case for Semi-Rotary Large Shuttle Hook (Perfect Stitch) |
| Bobbin | Bobbin for Large Shuttle Hook |
| Presser Foot Stroke | Standard 4mm[0.5~10mm] |
| Lifting Amount of Presser Foot | Max. 20mm |
| Lifting Amount of Feeding Frame | 25mm [Max. 30mm] |
| Feeding System | Feeding by Pulse Motor |
| Emergency Stop Function | Available During Sewing Operation |
| Pattern Select Function | Pattern No. can be Selected From No.1 to No.999 |
| Memory | 3.5" Floppy Diskette. (2HD) |
| Memory Backup | The Working Point is Stored in the Memory when the Machine Stops Abnormally |
| 2nd Origin Function | Another Origin Point can be Set by Using Jog Key |
| Maximum Speed Limit | The Maximum Speed can be Limited from 200 to 2.500spm |
| Number of Patterns | Max. 691 Patterns/Disk |
| Safety Device | Emergency Stop Function, Maximum Speed Limit Function |
| Main Motor | Direct Drive AC Servo Motor |
| Power Consumption | 600VA |
| Recommended Temperature | 5°C~40°C (41°F~104°F) |
| Recommended Humidity | 20%~80% |
| Power | 10 φ :100~240V, 3 φ :200~40V, 50/60HZ |
| Airborne Noise Level | L=80.6LAeq |

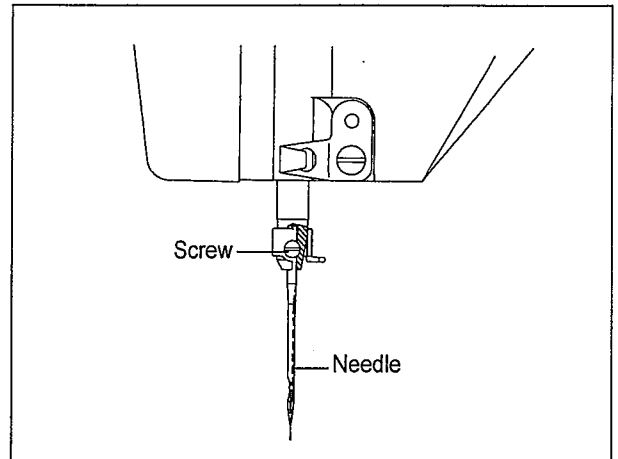
※ Remark : The Airborne Noise Level given above was measured in accordance with the prEN/ISO10821 with the respective machine operating at maximum speed without any material being positioned.

2) How to Attach the Needle

After unfastening the needle fixing screw on the needle bar, have the long groove of the needle face the back and push the needle till it touches the needle insertion hole and then tighten the needle fixing screw.

[Caution]

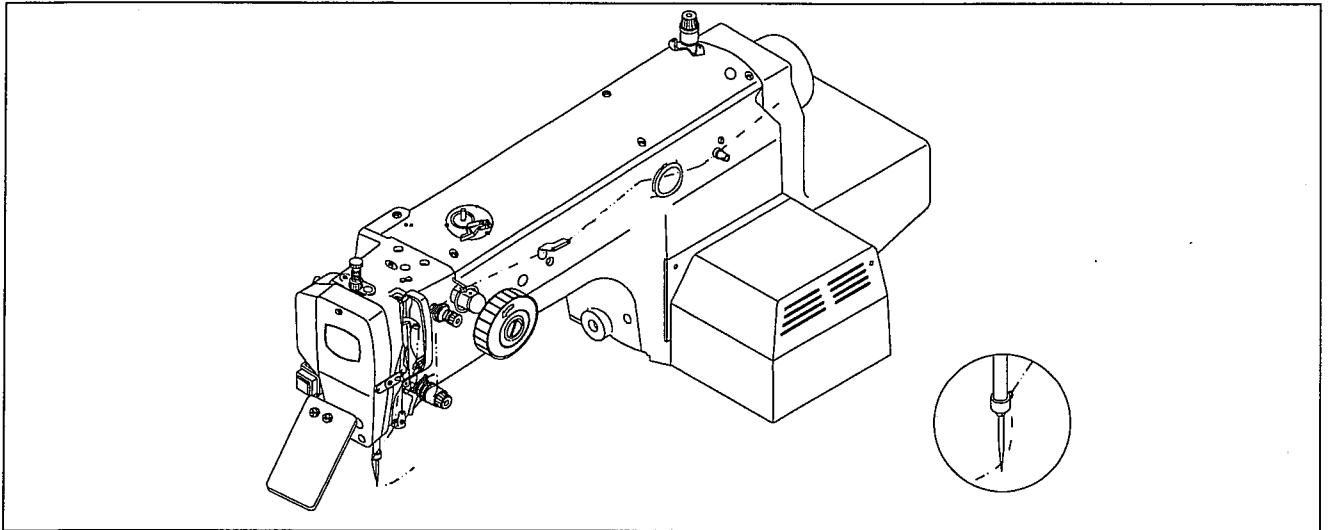
For type GPS/B-1811-HP(GP)-□□ the needle is inserted in the opposite directions of other machine types.



[Fig. 72]

3) How to Hook the Upper Thread

After placing the thread take-up at the highest position, hook the thread as shown in the picture below.



[Fig. 73]

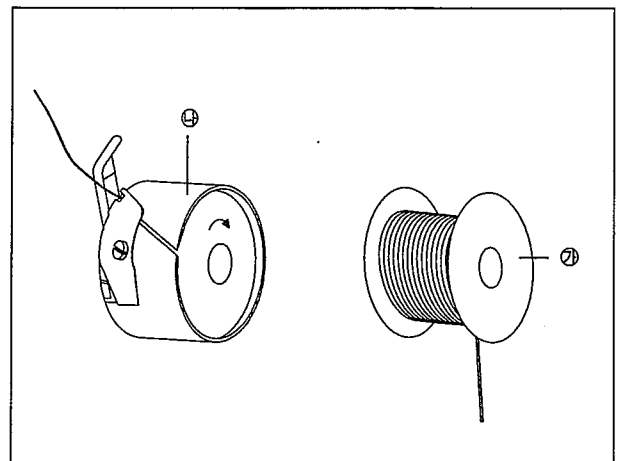
4) How to Hook the Lower Thread

A. Insert bobbin ① into bobbin case ② as shown in the picture.

[Caution]

The bobbin must turn clockwise when seen from the back of the bobbin case.

B. Place the lower thread through the crack in the bobbin case.



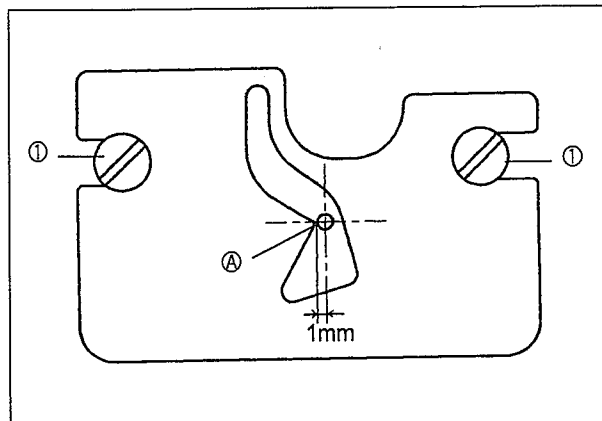
[Fig. 74]

5) Adjusting the Spring on the Upper Side of the Shuttle

- A. Adjusting the spring on the upper side of the shuttle.
After removing the lower feed plate and the needle plate from the machine, unfasten the upper side spring screw. Place the spring on the upper side of the shuttle so that the center of the needle meets point A vertically, and is 1mm apart from point A horizontally. Then tighten the screw.

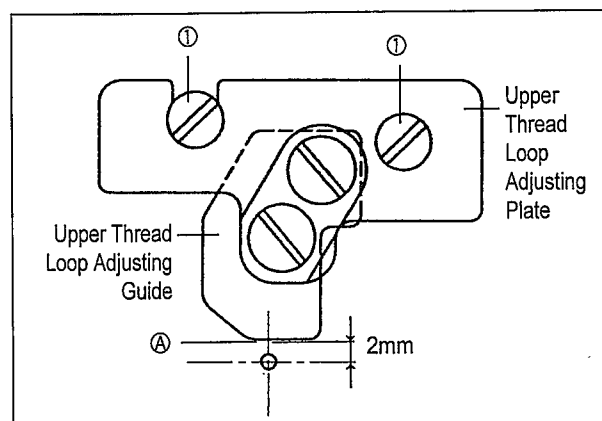
[Caution]

If the surface around the spring is rough or scratched, the thread may be disconnected or the thread strand may be unfastened. Always check the surface before operating the machine.



[Fig. 75]

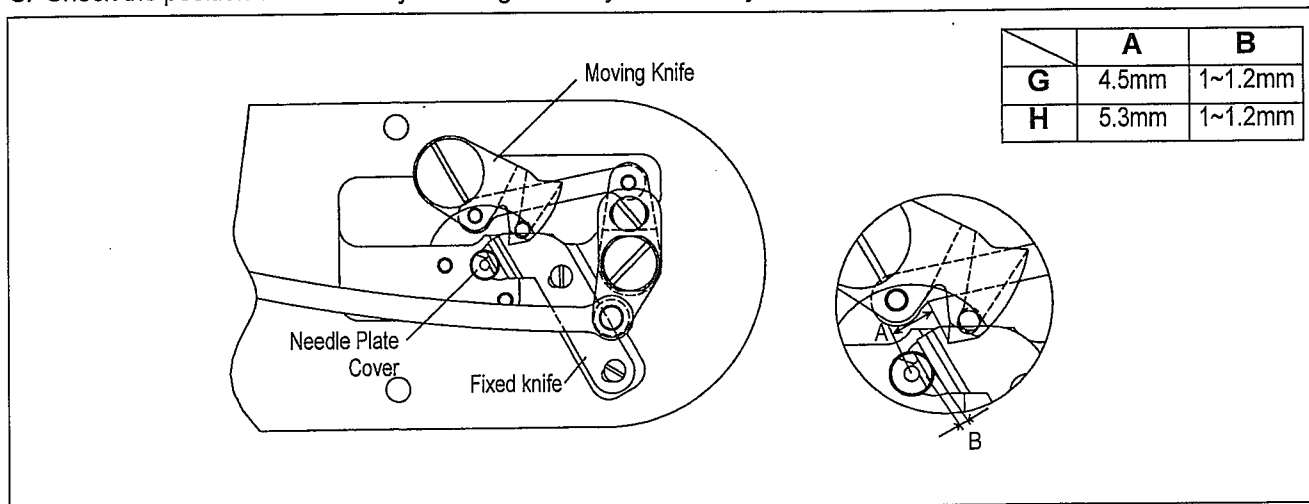
- B. How to set the upper thread loop control plate in place
Unfasten the upper thread loop control plate screw ①, then place the upper thread loop control plate so that the end of the upper thread loop control guide A is 2mm apart from the center of the needle. Then, tighten the upper thread loop control plate screw.



[Fig. 76]

6) Adjusting the Moving Knife and the Fixed Knife

- A. Use the trimming lever control screw to adjust the space between the thread removing point of the moving knife and the needle plate hole as indicated in the table with the needle bar stopped at the upper position.
B. Use the fixed knife screw to adjust space B between the fixed knives and the needle plate cover as indicated in the table.
C. Check the position of the knife by trimming manually after the adjustment.



[Fig. 77]

