

Katalog náhradních dílů pro  
průmyslový šicí stroj

**GARUDAN<sup>®</sup>**

FT-4600 FT-4700

FT-6200 FT-6500



ANITA B, s.r.o.

Hliníky 2068

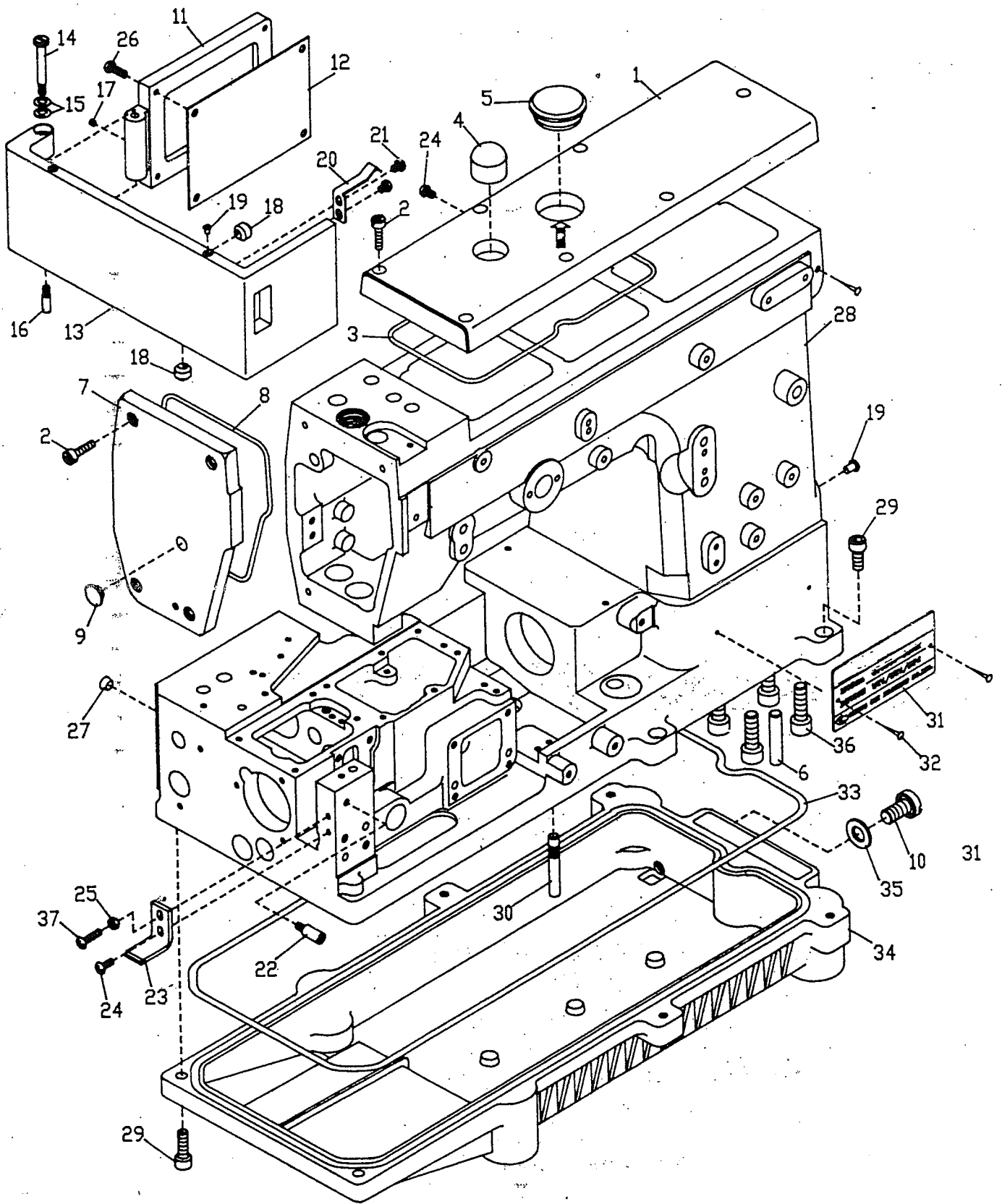
680 01 Boskovice

Czech Republic

tel: +420 516 454 774, 516 453 496

fax: +420 516 452 751

e-mail: [info@anita.cz](mailto:info@anita.cz)

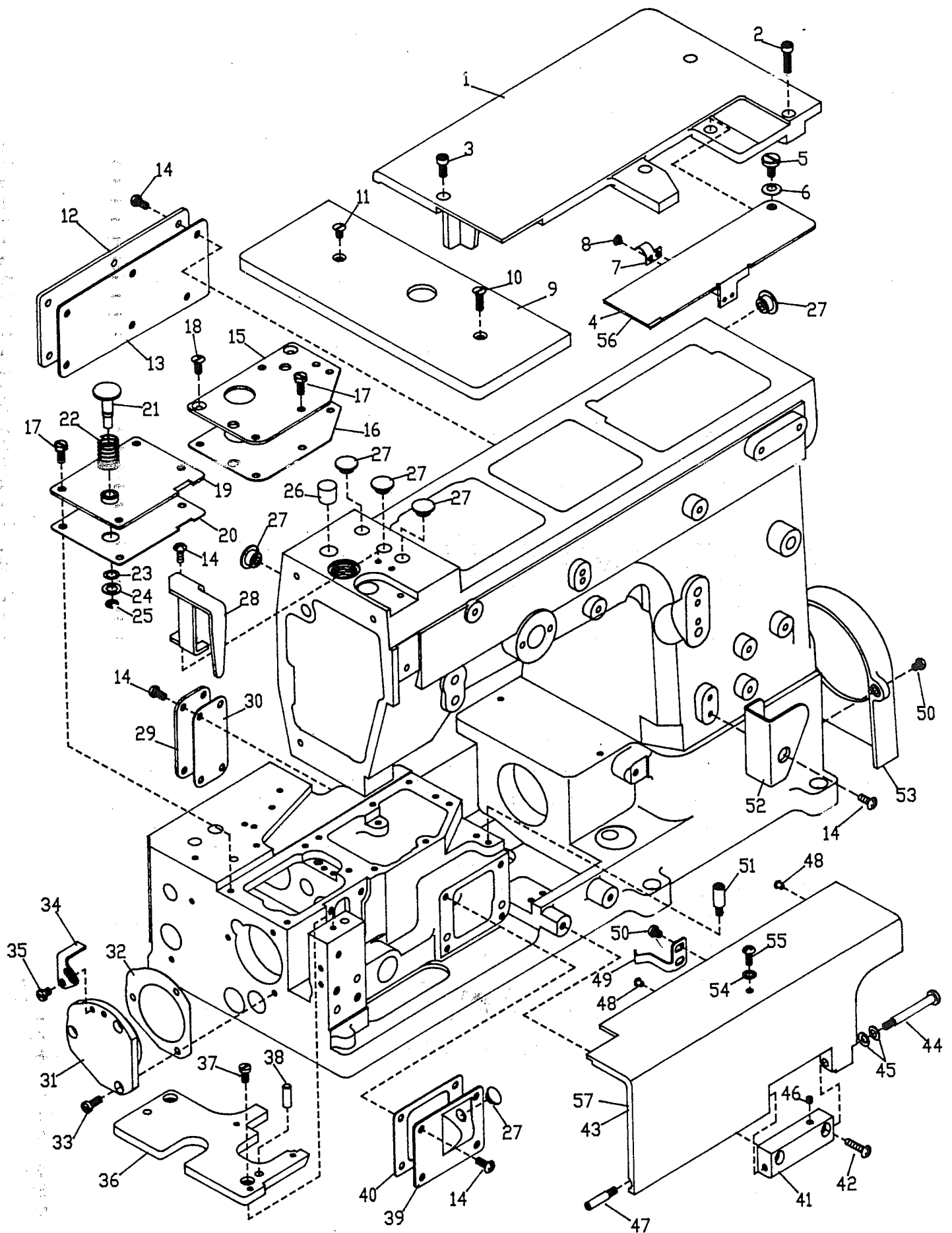


31. 車型銘板列表 Model Plate List

車型 MODEL	零件編號 PARTS NUM.	車型 MODEL	零件編號 PARTS NUM.
FT4600-40M	6474-1	FT6200-40M	6474-6
FT4600-48M	6474-2	FT6200-48M	6474-7
FT4600-56M	6474-3	FT6200-56M	6474-8
FT4700-56M	6474-4	FT6500-56M	6474-9
FT4700-64M	6474-5	FT6500-64M	6474-10

# 1. 本體與外裝零件 Frame Components (一)

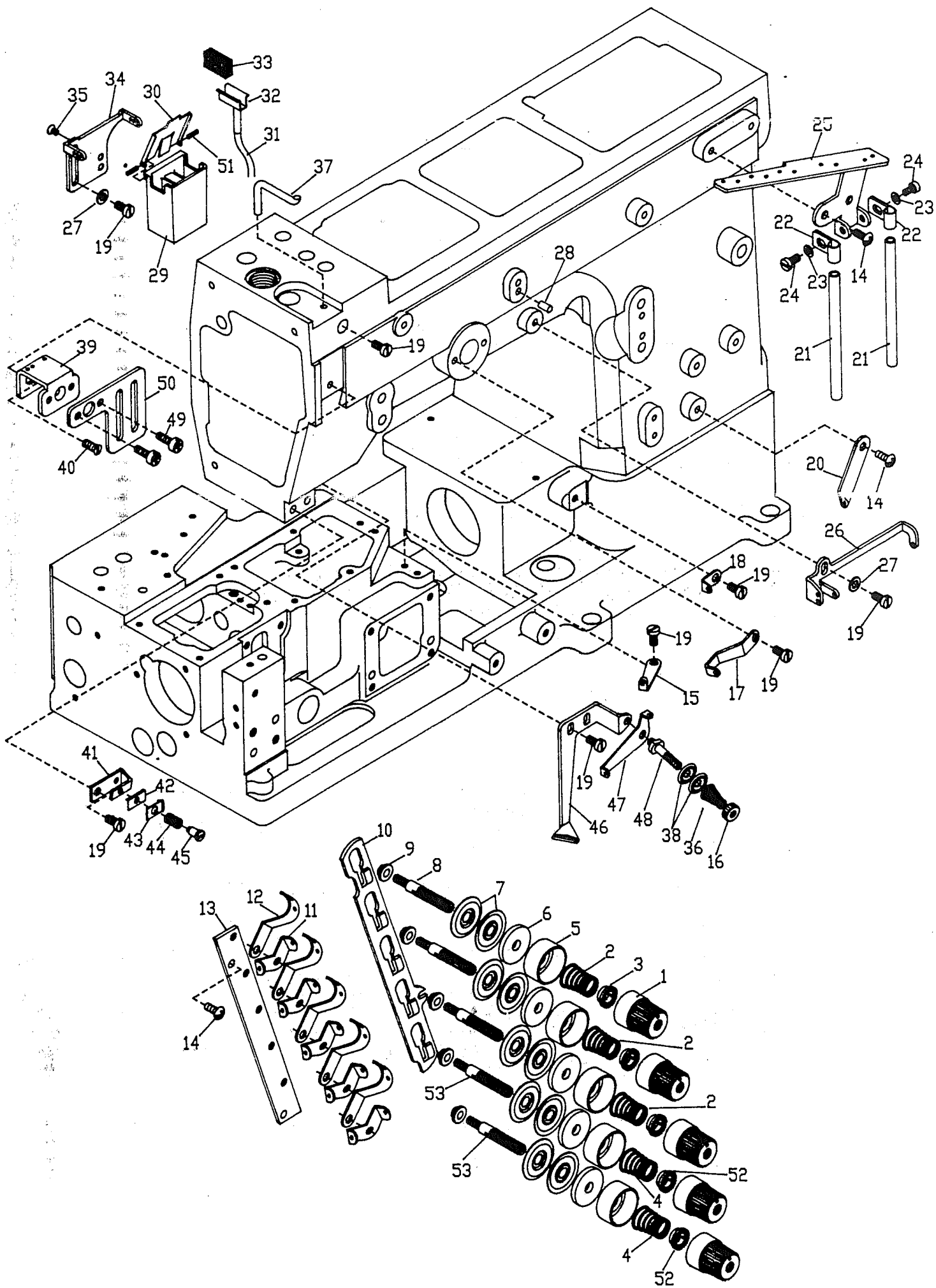
序號 Ref.No.	圖號 Parts No.	名稱 Description	單位用量 Amt. Req.
1	C000101C200	上軸蓋 Top Cover	1
2	MC04281207D	螺絲 Screw	11
3	C000103A600	油封 Gasket	1
4	C000104B600	油鏡 Oil Window	1
5	C000105A600	孔塞 Plug	1
6	C000139ST	定位銷 Knock Pin	2
7	C000107D200	針棒蓋 Needle Cover	1
8	C000108G700	油封 Gasket	1
9	C000109A600	孔塞 Plug	1
10	SM95281017A	螺榫 Stud	1
11	F000111C200	封蓋 Oil Filter Cover	1
12	F000112G700	油封 Gasket	1
13	F000113C200	側蓋 Oil Filter Cover	1
14	MB04283809E	螺榫 Stud	1
15	C000228DW	孟形墊圈 Disk Washer	2
16	MB04280605M	螺榫 Stud	1
17	MN04280400A	螺絲 Screw	1
18	F000118A600	減震橡膠 Rubber Cushion	2
19	F000119A600	減震橡膠 Rubber Cushion	3
20	F000120D700	夾簧 Latch Spring	1
21	MC04280507D	螺絲 Screw	2
22	MB04280707M	螺榫 Stud	1
23	F000123B700	支架 Side Cover Holder	1
24	MC04280807D	螺絲 Screw	4
25	MA04280307A	螺帽 Nut	1
26	MC04281407D	螺絲 Screw	4
27	C000136H300	孔塞 Plug	1
28	F000128A200	車頭 Frame Unit	1
29	MM06402010A	螺絲 Screw (SH0444 M6-1*20)	6
30	F000130ST	下座腳榫 Supporting Bar	4
31	6474	車型銘板 Model Plate(See Left Page)	1
32	6620	鉚釘 Rivet	3
33	F000133A600	油封 Gasket	1
34	F000134C200	油盤 Oil Reservoir	1
35	6030244A600	油封 Seal	1
36	MM10603016A	螺絲 Screw	4
37	MC04282007D	螺絲 Screw	1



## 2. 本體與外裝零件 Frame Components (二)

序號 Ref.No.	圖號 Parts No.	名稱 Description	單位用量 Amt. Req.
1	F000201C200	封蓋 Rear Cover	1
2	MM04281607A	螺絲 Screw	3
3	MM04281007A	螺絲 Screw	1
*4	F000204B700	護線蓋 Cloth Plate	1
5	MB95301011G	螺樁 Stud	1
6	C001137DW	孟形墊圈 Disk Washer	1
7	F000207D700	夾簧 Latch Spring	1
8	MB03200306A	螺絲 Screw	2
9	F000209C200	左線布板 Cloth Plate	1
10	ME04281408A	螺絲 Screw	1
11	ME04280708A	螺絲 Screw	1
12	C000210B700	封蓋 Rear Cover	1
13	C000209G700	油封 Gasket	1
14	MC04280807D	螺絲 Screw	17
15	F000215B700	封蓋 Oil Filter Cover	1
16	F000216G700	油封 Gasket	1
17	MK04281007A	螺絲 Screw	8
18	ME04281008A	螺絲 Screw	2
19	F000219B700	封蓋 Oil Filter Cover	1
20	F000220G700	油封 Gasket	1
21	F000221D300	止動銷 Stopper Pin	1
22	F000222A800	彈簧 Spring	1
23	F000223OR	油環 OIL Rin	1
24	C000910B700	墊圈 Washer	1
25	F000225ER	E形扣環 E Ring	1
26	C000208A600	孔塞 Plug	1
27	F000227A600	孔塞 Plug	6
28	C000212B700	針棒護蓋 Needle Bar Protector	1
29	F000229B700	封蓋 Oil Filter Cover	1
30	F000230G700	油封 Gasket	1
31	F000231E200	軸承座 Crankshaft Bushing	1
32	F000232G700	油封 Gasket	1
33	MB04281007K	螺絲 Screw	3
34	F000234B700	止動鉤 Pushbutton Stop	1
35	MB04280507K	螺絲 Screw	2
36	F000236B700	針板座 Needle Plate Seat	1
37	MB04280807K	螺絲 Screw	2
38	F000238ST	定位銷 Knock Pin	2
39	F000239B700	封蓋 Oil Filter Cover	1
40	F000240G700	油封 Gasket	1
41	C000224C200	絞鏈 Hinge	1
42	MC04281407D	螺絲 Screw	2
*43	F000243C200	下座前蓋 Front Cover	1
44	MB04284209E	螺樁 Stand	1
45	C000228DW	孟形墊圈 Disk Washer	2
46	MN04280400A	螺絲 Screw	1
47	MB04280705M	螺樁 Stand	1
48	F000119A600	減震橡膠 Rubber Cushion	2
49	F000249D700	夾簧 Latch Spring	1
50	MC04280507D	螺絲 Screw	4
51	MB04280707M	螺樁 Stand	1
52	C000243B700	底線護蓋 Thread Protect Plate	1
53	F000253D600	冷卻風扇護蓋 Oil Cooling Fan Cuard	1
54	F000254PW	墊圈 Washer	2
55	MC05321209D	螺絲 Screw	1
**56	F000256B700	護線蓋 Cloth Plate	1
**57	F000257C200	下座前蓋 Front Cover	1

\* : 40M, 48M, 56M 用 For 40M, 48M, 56M  
 \*\* : 64M 用 For 64M



### 3. 導針與張力調整零件 Thread Guide And Tension Components FT6500用 For FT6500

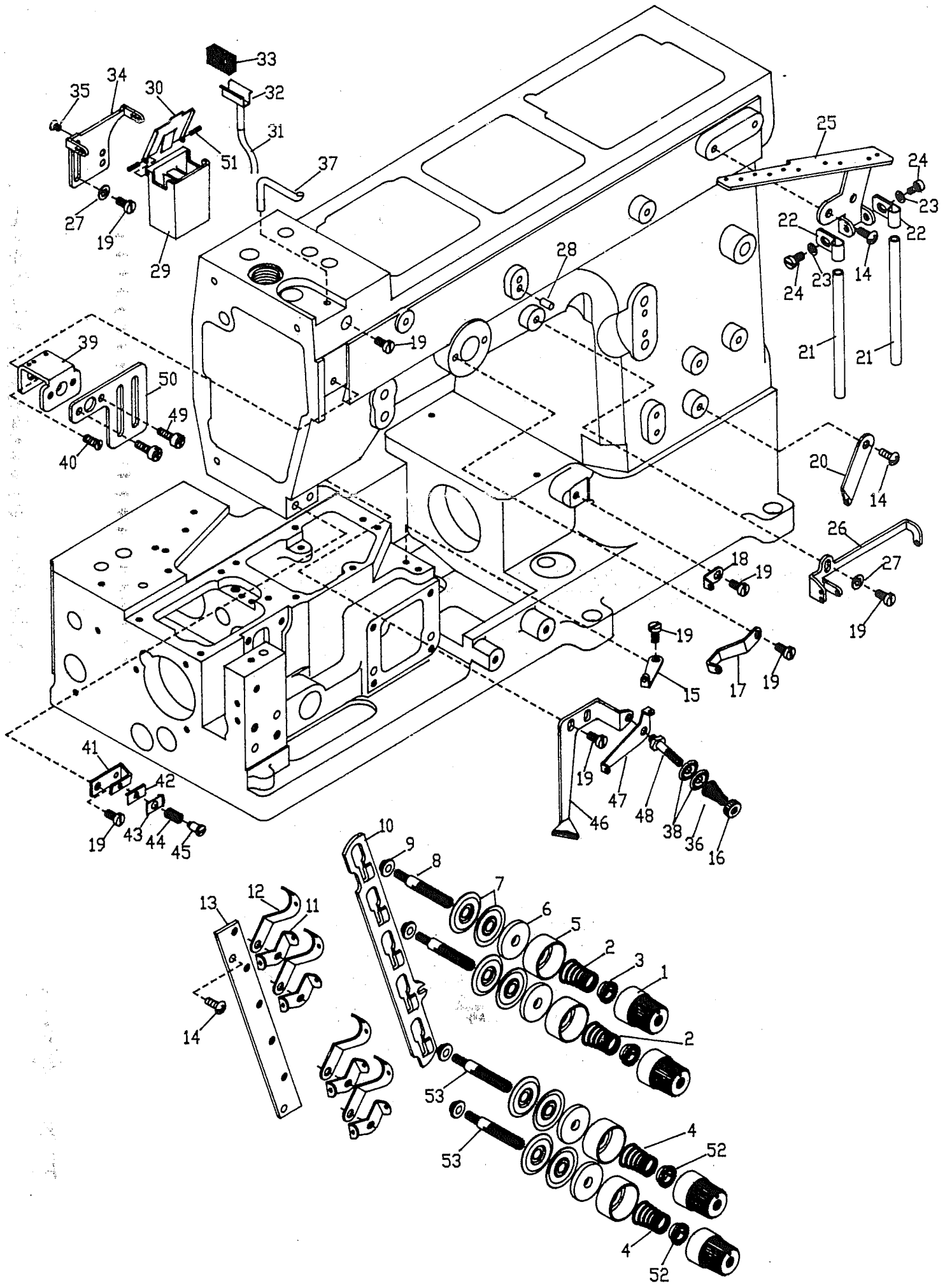
序號 Ref.No.	圖號 Parts No.	名稱 Description	單位用量 Amt. Req.
1	6031121D600	張力調整螺帽 Tension Nut	5
2	6031123A800	彈簧 Spring (Red)	3
3	6031122D600	套管 Bushing	3
4	6031132A800	彈簧 Spring (Yellow)	2
5	6031125D600	彈簧座 Spring Seat	5
6	C000305D600	羊毛氈 Felt	5
7	6031126D700	張力控制盤 Tension Disc	10
8	C000308C300	螺絲 Stud	3
9	C000309D300	隔環 Spacer	5
10	C000310B700	鬆線滑板 Release Wedge	1
11	C000311B700	導線 Thread Guide	5
12	C000312B700	導線 Thread Guide	5
13	C000313B700	張力控制組座 Tension Post Support	1
14	MC04280807D	螺絲 Screw	5
15	F000315B700	導線 Thread Guide	1
16	C000357D300	螺帽 Nut	1
17	F000317B700	導線 Thread Guide	1
18	F000318B700	導線 Thread Guide	1
19	MB04280807K	螺絲 Screw	9
20	C000317B700	導線 Thread Guide	1
21	C000327D300	導線管 Thread Guide Pipe	2
22	6051110B700	導線管夾 Thread Guide Pipe Clamp	2
23	C000232PW	墊圈 Washer	2
24	MB04280807K	螺絲 Screw	2
25	C000331B700	導線架 Thread Guide Plate	1
26	F000326B700	導線 Thread Guide	1
27	C000232PW	墊圈 Washer	2
28	ST0410	定位銷 Knock Pin	1
29	C000335D200	油杯 Cooler Oil Tank	1
30	C000336D700	油杯蓋 Cooler Oil Tank Cover	1
31	6800	油線 Oil Wick	1
32	C000338B700	線夾 Wick Clamp	1
33	C000339L700	羊毛氈 Felt	1
34	C000340B700	導線 Thread Guide	1
35	ME03200506A	螺絲 Screw	2
36	C000356A800	彈簧 Spring	1
37	C000343B700	導線 Thread Guide	1
38	C000355A700	張力控制盤 Tension Disc	2
39	C000345B700	導線 Thread Guide	1
40	ME04280708A	螺絲 Screw	1
41	C000347B700	張力控制組座 Thread Retainer Support	1
42	C000348B700	針線控制板 Thread Guide Plate	1
43	C000349B700	針線控制壓板 Tension Control plate	1
44	C000350A800	彈簧 Spring	1
45	MC03200807G	螺絲 Stud	1
46	F000346B700	導線 Thread Guide	1
47	C000353B700	導線 Thread Guide	1
48	C000354D300	螺絲 Stud	1
49	MC04280507D	螺絲 Screw	2
50	C000359B700	張力線臂護線罩 Takeup Arm Protect	1
51	C000360SP	彈簧銷 Spring Pin	2
52	6031122D600	套管 Bushing	2
53	C000361C300	螺絲 Stud	2





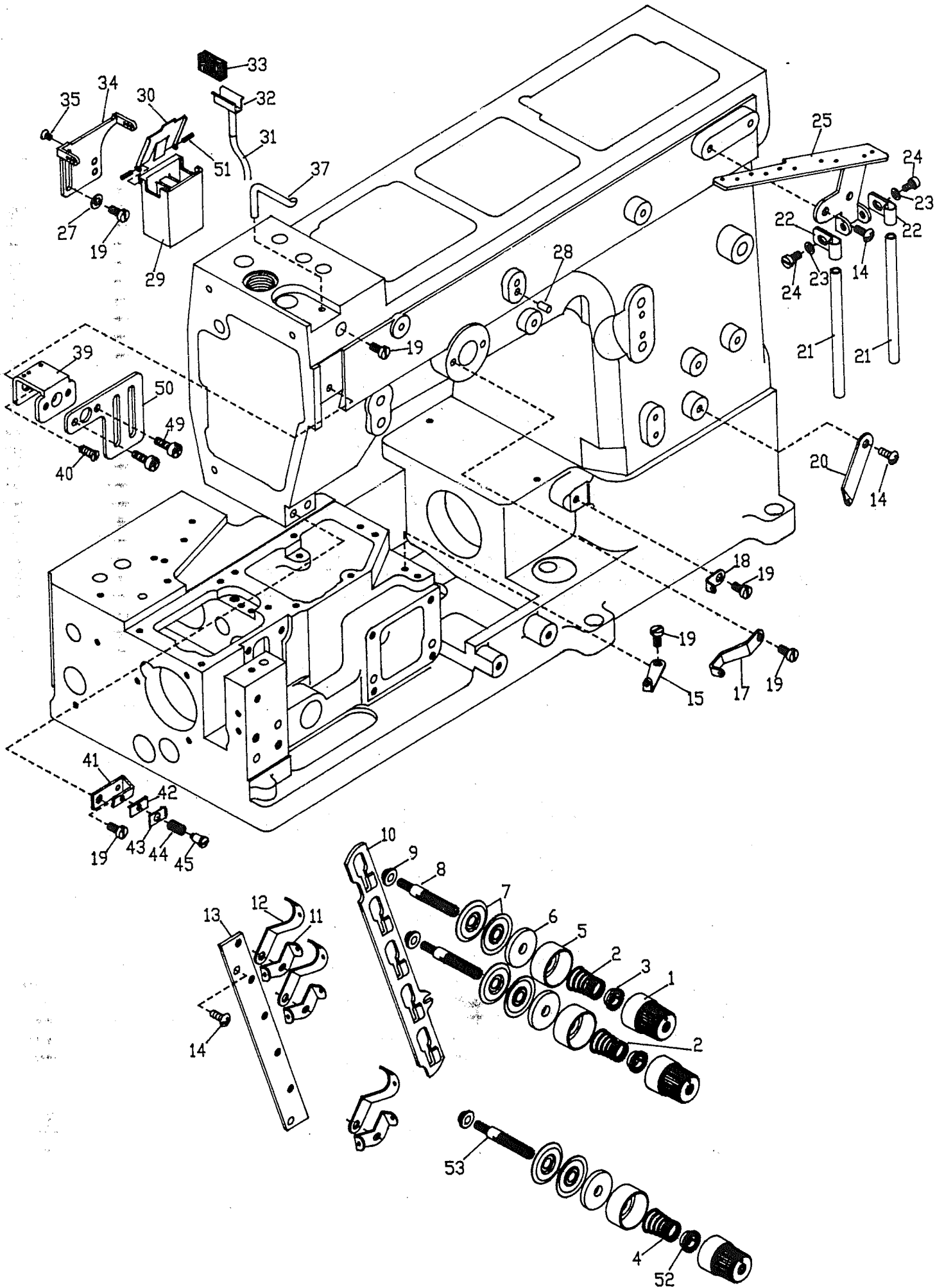
### 3. 導針與張力調整零件 Thread Guide And Tension Components FT4700用 For FT4700

序號 Ref.No.	圖號 Parts No.	名稱 Description	單位 Amt.	用量 Req.
1	6031121D600	張力調整螺帽 Tension Nut	4	
2	6031123A800	彈簧 Spring (Red)	3	
3	6031122D600	套管 Bushing	3	
4	6031132A800	彈簧 Spring (Yellow)	1	
5	C000305D600	彈簧座 Spring Seat	4	
6	6031127L700	羊毛氈 Felt	4	
7	6031126D700	張力控制盤 Tension Disc	8	
8	C000308C300	螺樁 Stud	3	
9	C000309D300	隔環 Spacer	4	
10	C000310B700	鬆線滑板 Release Wedge	1	
11	C000311B700	導線 Thread Guide	4	
12	C000312B700	導線 Thread Guide	4	
13	C000313B700	張力控制組座 Tension Post Support	1	
14	MC04280807D	螺絲 Screw (CT0130 M4-0.7*8)	5	
15	F000315B700	導線 Thread Guide	1	
16				
17				
18	F000318B700	導線 Thread Guide	1	
19	MB04280807K	螺絲 Screw (CT0215 M4-0.7*8)	6	
20	C000317B700	導線 Thread Guide	1	
21	C000327D300	導線管 Thread Guide Pipe	2	
22	6051110B700	導線管夾 Thread Guide Pipe Clamp	2	
23	C000232PW	墊圈 Washer	2	
24	MB04280807K	螺絲 Screw (CT0215 M4-0.7*8)	2	
25	C000331B700	導線架 Thread Guide Plate	1	
26				
27	C000232PW	墊圈 Washer	1	
28	ST0410	定位銷 Knock Pin	1	
29	C000335D200	油杯 Cooler Oil Tank	1	
30	C000336D700	油杯蓋 Cooler Oil Tank Cover	1	
32	6800	油線 Oil Wick	1	
32	C000338B700	線夾 Wick Clamp	1	
33	C000339L700	羊毛氈 Felt	1	
34	C000340B700	導線 Thread Guide	1	
35	ME03200506A	螺絲 Screw (CT0341 M3-0.5*4.5)	2	
36				
37	C000343B700	導線 Thread Guide	1	
38				
39	C000345B700	導線 Thread Guide	1	
40	ME04280708A	螺絲 Screw (CT0206 M4-0.7*7)	1	
41	C000347B700	張力控制組座 Thread Retainer Support	1	
42	C000348B700	針線控制板 Thread Guide Plate	1	
43	C000349B700	針線控制壓板 Tension Control plate	1	
44	C000350A800	彈簧 Spring	1	
45	MC03200807G	螺樁 Stud (CT0351 M3-0.5*8)	1	
46				
47				
48				
49	MC04280507D	螺絲 Screw (CT0122 M4-0.7*5)	2	
50	C000359B700	導線臂護線罩 Takeup Arm Protect	1	
51	C000360SP	彈簧銷 Spring Pin	2	
52	6031122D600	套管 Bushing	1	
53	C000361C300	螺樁 Stud	1	



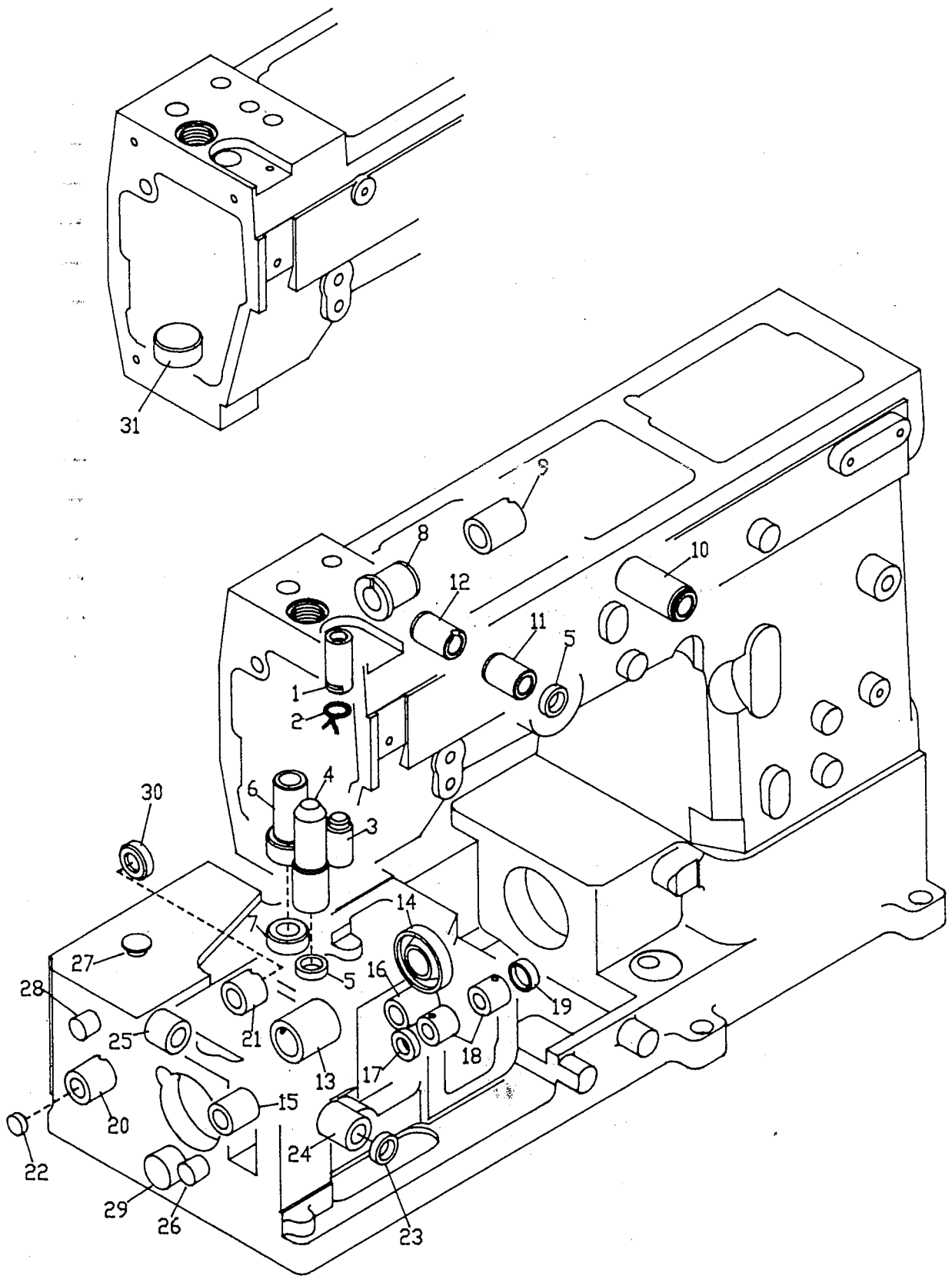
### 3. 導針與張力調整零件 Thread Guide And Tension Components For FT6200

序號 Ref.No.	圖號 Parts No.	名稱 Description	單位 Amt.	用量 Req.
1	6031121D600	張力調整螺帽 Tension Nut	4	
2	6031123A800	彈簧 Spring (Red)	2	
3	6031122D600	套管 Bushing	2	
4	6031132A800	彈簧 Spring (Yellow)	2	
5	C000305D600	彈簧座 Spring Seat	4	
6	6031127L700	羊毛氈 Felt	4	
7	6031126D700	張力控制盤 Tension Disc	8	
8	C000308C300	螺樁 Stud	2	
9	C000309D300	隔環 Spacer	4	
10	C000310B700	鬆線滑板 Release Wedge	1	
11	C000311B700	導線 Thread Guide	4	
12	C000312B700	導線 Thread Guide	4	
13	C000313B700	張力控制組座 Tension Post Support	1	
14	MC04280807D	螺絲 Screw (CT0130 M4-0.7*8)	5	
15	F000315B700	導線 Thread Guide	1	
16	C000357D300	螺帽 Nut	1	
17	F000317B700	導線 Thread Guide	1	
18	F000318B700	導線 Thread Guide	1	
19	MB04280807K	螺絲 Screw (CT0215 M4-0.7*8)	9	
20	C000317B700	導線 Thread Guide	1	
21	C000327D300	導線管 Thread Guide Pipe	2	
22	6051110B700	導線管夾 Thread Guide Pipe Clamp	2	
23	C000232PW	墊圈 Washer	2	
24	MB04280807K	螺絲 Screw (CT0215 M4-0.7*8)	2	
25	C000331B700	導線架 Thread Guide Plate	1	
26	F000326B700	導線 Thread Guide	1	
27	C000232PW	墊圈 Washer	2	
28	ST0410	定位銷 Knock Pin	1	
29	C000335D200	油杯 Cooler Oil Tank	1	
30	C000336D700	油杯蓋 Cooler Oil Tank Cover	1	
31	6800	油線 Oil Wick	1	
32	C000338B700	油線夾 Wick Clamp	1	
33	C000339L700	羊毛氈 Felt	1	
34	C000340B700	導線 Thread Guide	1	
35	ME03200506A	螺絲 Screw (CT0341 M3-0.5*4.5)	2	
36	C000356A800	彈簧 Spring	1	
37	C000343B700	導線 Thread Guide	1	
38	C000355A700	張力控制盤 Tension Disc	2	
39	C000345B700	導線 Thread Guide	1	
40	ME04280708A	螺絲 Screw (CT0206 M4-0.7*7)	1	
41	C000347B700	張力控制組座 Thread Retainer Support	1	
42	C000348B700	針線控制板 Thread Guide Plate	1	
43	C000349B700	針線控制壓板 Tension Control plate	1	
44	C000350A800	彈簧 Spring	1	
45	MC03200807G	螺樁 Stud (CT0351 M3-0.5*8)	1	
46	F000346B700	導線 Thread Guide	1	
47	C000353B700	導線 Thread Guide	1	
48	C000354D300	螺樁 Stud	1	
49	MC04280507D	螺絲 Screw (CT0122 M4-0.7*5)	2	
50	C000359B700	揚線臂護線罩 Takeup Arm Protect	1	
51	C000360SP	彈簧銷 Spring Pin	2	
52	6031122D600	套管 Bushing	2	
53	C000361C300	螺樁 Stud	2	



### 3. 導針與張力調整零件 Thread Guide And Tension Components For FT4600

序號 Ref.No.	圖號 Parts No.	名稱 Description	單位 Amt.	用量 Req.
1	6031121D600	張力調整螺帽 Tension Nut	3	
2	6031123A800	彈簧 Spring (Red)	2	
3	6031122D600	套管 Bushing	2	
4	6031132A800	彈簧 Spring (Yellow)	1	
5	C000305D600	彈簧座 Spring Seat	3	
6	6031127L700	羊毛氈 Felt	3	
7	6031126D700	張力控制盤 Tension Disc	6	
8	C000308C300	螺絲 Stud	2	
9	C000309D300	隔環 Spacer	3	
10	C000310B700	鬆線滑板 Release Wedge	1	
11	C000311B700	導線 Thread Guide	3	
12	C000312B700	導線 Thread Guide	3	
13	C000313B700	張力控制組座 Tension Post Support	1	
14	MC04280807D	螺絲 Screw (CT0130 M4-0.7*8)	5	
15	F000315B700	導線 Thread Guide	1	
16				
17				
18	F000318B700	導線 Thread Guide	1	
19	MB04280807K	螺絲 Screw (CT0215 M4-0.7*8)	6	
20	C000317B700	導線 Thread Guide	1	
21	C000327D300	導線管 Thread Guide Pipe	2	
22	6051110B700	導線管夾 Thread Guide Pipe Clamp	2	
23	C000232PW	墊圈 Washer	2	
24	MB04280807K	螺絲 Screw (CT0215 M4-0.7*8)	2	
25	C000331B700	導線架 Thread Guide Plate	1	
26				
27	C000232PW	墊圈 Washer	1	
28	ST0410	定位銷 Knock Pin	1	
29	C000335D200	油杯 Cooler Oil Tank	1	
30	C000336D700	油杯蓋 Cooler Oil Tank Cover	1	
31	6800	油線 Oil Wick	1	
32	C000338B700	線夾 Wick Clamp	1	
33	C000339L700	羊毛氈 Felt	1	
34	C000340B700	導線 Thread Guide	1	
35	ME03200506A	螺絲 Screw (CT0341 M3-0.5*4.5)	2	
36				
37	C000343B700	導線 Thread Guide	1	
38				
39	C000345B700	導線 Thread Guide	1	
40	ME04280708A	螺絲 Screw (CT0206 M4-0.7*7)	1	
41	C000347B700	張力控制組座 Thread Retainer Support	1	
42	C000348B700	針線控制板 Thread Guide Plate	1	
43	C000349B700	針線控制壓板 Tension Control plate	1	
44	C000350A800	彈簧 Spring	1	
45	MC03200807G	螺絲 Stud (CT0351 M3-0.5*8)	1	
46				
47				
48				
49	MC04280507D	螺絲 Screw (CT0122 M4-0.7*5)	2	
50	C000359B700	揚線臂護線罩 Takeup Arm Protect	1	
51	C000360SP	彈簧銷 Spring Pin	2	
52	6031122D600	套管 Bushing	1	
53	C000361C300	螺絲 Stud	1	

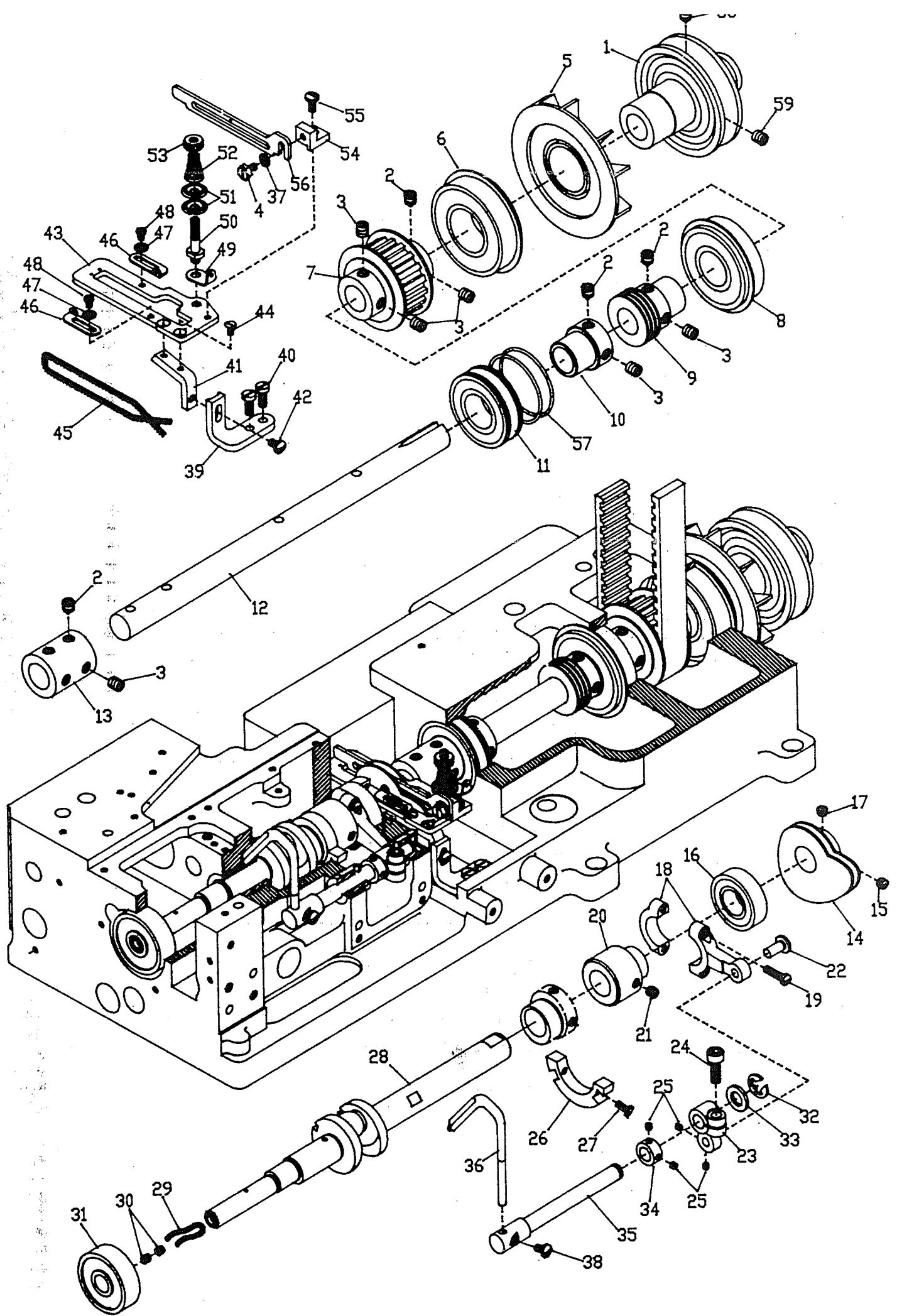


## 4. 軸襯與油封 Bushing And Seal

序號 Ref.No.	圖號 Parts No.	名稱 Description	單位用量 Amt. Req.
1	F000401G300	軸襯 Bushing	1
2	6800	油線 Oil Wick	1
3	F000403G300	軸襯 Bushing	1
4	F000404G300	軸襯 Bushing	1
5	C000404A600	油封 Oil Seal	1
*6	C000405G300	軸襯 Bushing	1
*7	C000406A600	油封 Oil Seal	1
*8	F000408G300	軸襯 Bushing	1
*9	C000408G300	軸襯 Bushing	1
10	C000409G300	軸襯 Bushing	1
11	C000410G300	軸襯 Bushing	1
12	C000411G300	軸襯 Bushing	1
13	F000413G300	軸襯 Bushing	1
14	F0004140S	油封 Oil Seal	1
15	F000415G300	軸襯 Bushing	1
16	F000416G300	軸襯 Bushing	1
17	F000417A600	油封 Oil Seal	1
18	F000418G300	軸襯 Bushing	2
19	F000419A600	孔塞 Plug	1
20	F000420G300	軸襯 Bushing	1
21	F000421G300	軸襯 Bushing	1
22	F000422A600	孔塞 Plug	1
23	F000423A600	油封 Oil Seal	1
24	F000424G300	軸襯 Bushing	1
25	F000425G300	軸襯 Bushing	1
26	F000426G300	軸襯 Bushing	1
27	C000109A600	孔塞 Plug	1
28	C000208A600	孔塞 Plug	1
29	F000429A600	孔塞 Plug	1
30	F000430A600	孔塞 Plug	1
**31	C000422H300	孔塞 Plug	1

\* : FT6200, FT6500 用 For FT6200, FT6500

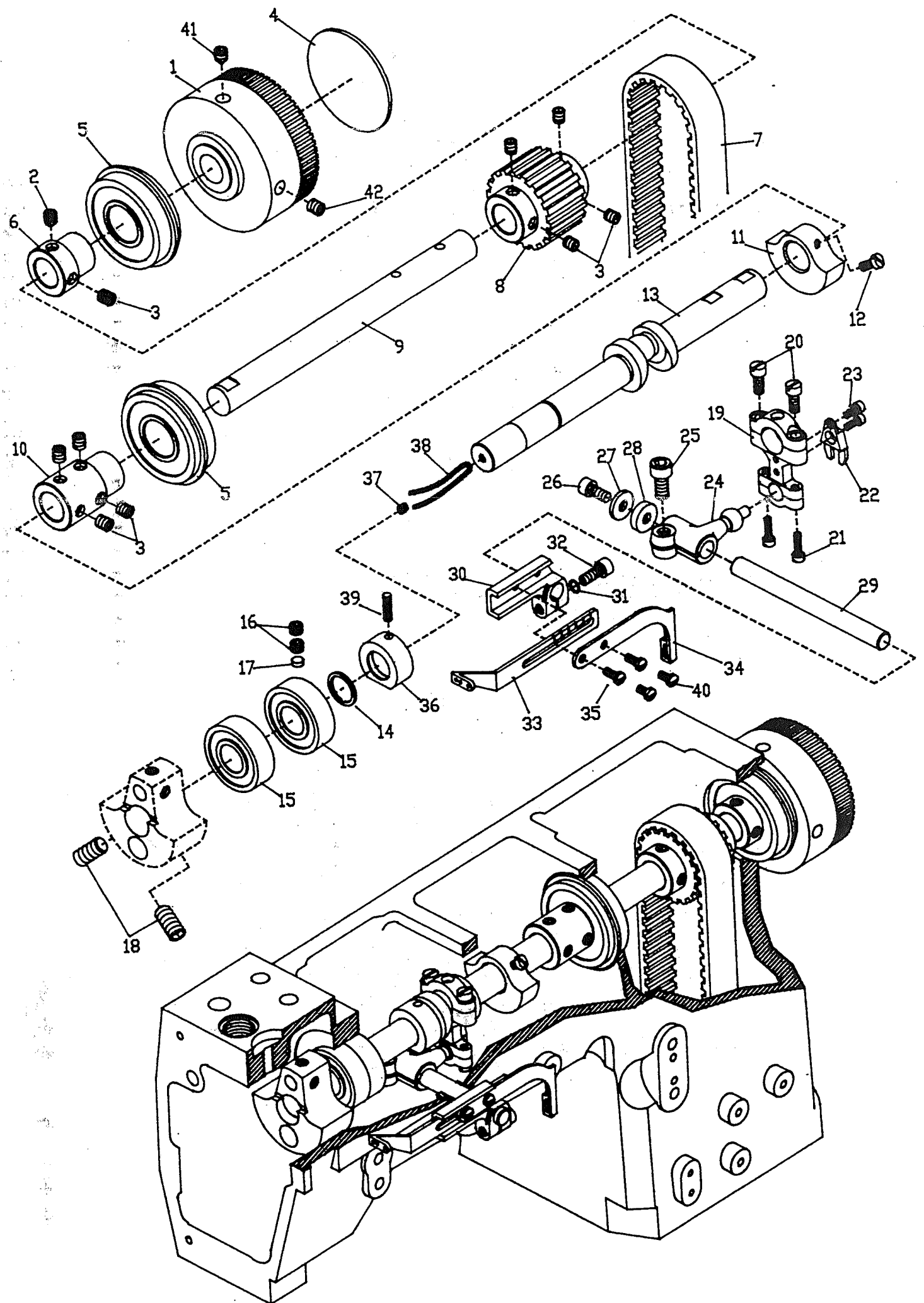
\*\* : FT4600, FT4700 用 For FT4600, FT4700





# 5. 下軸與相關零件 Lower Main Shaft Components

序號 Ref.No.	圖號 Parts No.	名稱 Description	單位用量 Amt. Req.
1	F000501A200	皮帶輪 Belt Pulley	1
2	MN06400800C	螺絲 Screw	5
3	MN06400600A	螺絲 Screw	9
4	MK85240607A	螺絲 Screw	1
5	F000505D600	冷卻風扇 Oil Cooling Fan	1
6	C000504BB	滾珠軸承 Ball Bearing	1
7	C000505A500	齒形皮帶輪 Timing Pulley	1
8	C000506BB	滾珠軸承 Ball Bearing	1
9	F000509A300	蝸桿 Worm	1
10	C000606A300	套管 Bushing	1
11	F000511BB	滾珠軸承 Ball Bearing	1
12	F000512A300	軸 Shaft	1
13	F000513C300	連軸器 Shaft Joint	1
14	F000514B700	揚線凸輪 Looper Thread Takeup Cam	1
15	MH05320400A	螺絲 Screw	1
16	F000516BB	滾珠軸承 Ball Bearing	1
17	MH05320400A	螺絲 Screw	1
18	F000518C100	連桿 Connecting Rod	1
19	MB85241306K	螺絲 Screw	2
20	F000520A300	偏心輪 Eccentric	1
21	MN05320500E	螺絲 Screw	2
22	F000522A300	連結銷 Connecting Pin	1
23	F000523A100	曲柄 Lever	1
24	MM05321209A	螺絲 Screw	1
25	MN03200300A	螺絲 Screw	4
26	F000526D200	配重環 Counterweight	1
27	MB03200606K	螺絲 Screw	2
28	F000528A300	曲軸 Crank Shaft	1
29	6800	油線 Oil Wick	2
30	MN04280400A	螺絲 Screw	2
31	F000531BB	滾珠軸承 Ball Bearing	1
32	F000532ER	E形扣環 E Ring	1
33	F000533B700	止推墊圈 Spacer	1
34	F000534C300	定位環 Collar	1
35	F000535A300	後導針器驅動軸 Driving Shaft	1
36	NGF00D0	後導針器 Needle Guide	1
37	C000232PW	墊圈 Washer	1
38	MB85240507A	螺絲 Screw	1
39	F000539B700	支架 Support	1
40	MB04280807K	螺絲 Screw	2
41	F000541B700	承板支臂 Support	1
42	MB04280807K	螺絲 Screw	1
43	F000543B700	導線承板 Thread Guide Seat	1
44	ME03200606A	螺絲 Screw	2
45	F000547PW	墊圈 Washer	1
46	F000546K700	導線 Thread Guide	2
47	F000547PW	墊圈 Washer	1
48	MB03200405A	螺絲 Screw	2
49	F000318B700	導線 Thread Guide	1
50	C000354D300	螺絲 Stud	1
51	C000355A700	張力控制盤 Tension Disc	2
52	C000356A800	錐形彈簧 Spring	1
53	C000357D300	螺帽 Nut	1
54	F000554D200	支架 Support	1
55	MB85240807K	螺絲 Screw	1
56	F000556B700	導線 Thread Guide	1
57	C000547OR	O形油環 O Ring	2
58	MN06401100C	螺絲 Screw	1
59	MN06400800A	螺絲 Screw	1

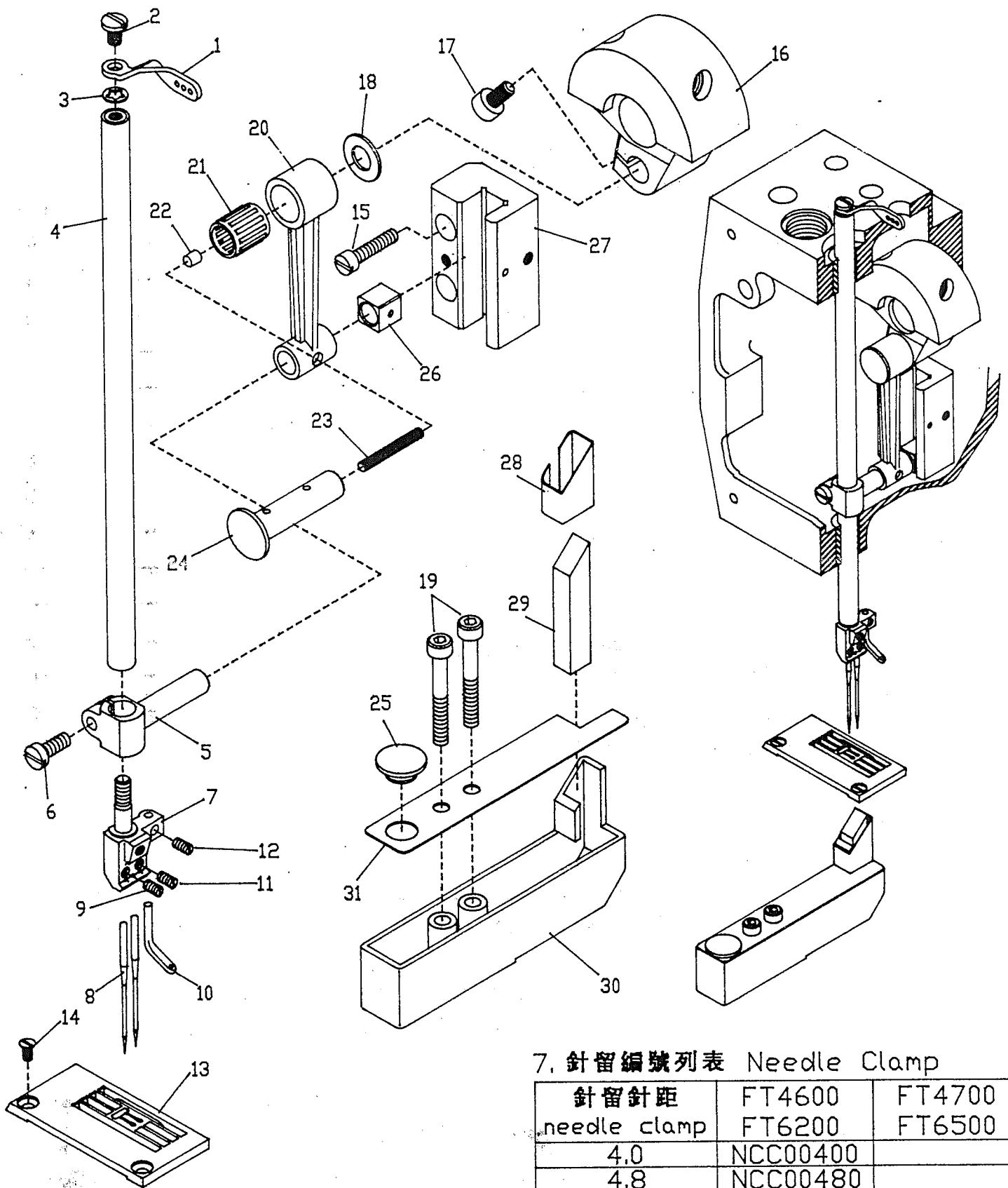


## 6. 上軸與相關零件 Upper Main Shaft Components

序號 Ref.No.	圖號 Parts No.	名稱 Description	單位用量 Amt. Req.
1	F000601C200	手輪 Handwheel	1
2	MN06400800C	螺絲 Screw	2
3	MN06400600A	螺絲 Screw	10
4	C000604F700	軸端封蓋 Cover	1
5	C000506BB	滾珠軸承 Ball Bearing	2
6	C000606A300	套管接頭 Joint	1
7	C000607TB	齒形皮帶 Timing Belt	1
8	C000608A500	齒形皮帶輪 Timing Pulley	1
9	C000609A300	軸 Shaft	1
10	C000610D300	套管接頭 Joint	1
11	C000509B100	平衡錘 Balance Weight	1
12	MB04280807K	螺絲 Screw	2
13	F000613A300	曲軸 Crank Shaft	1
14	C000614CR	C形軸用扣環 C Ring	1
15	C000615BB	滾珠軸承 Ball Bearing	2
16	MN06400500A	螺絲 Screw	2
17	C000617A600	墊片 Rubber Seat	1
18	MN08401600E	螺絲 Screw	2
19	C000619C100	連桿 Connecting Rod	1
20	MB95301407K	螺絲 Screw	2
21	MB85241006K	螺絲 Screw	2
22	C000622E200	定向導軌 Orient Guide	1
23	MB03200806K	螺絲 Screw	2
24	C000624A100	曲柄 Ball Lever	1
25	MM06401610A	螺絲 Screw	1
26	MM05321009A	螺絲 Screw	1
27	C000627B700	墊圈 Washer	1
28	C000628A300	隔環 Spacer	1
29	C000629A300	軸 Shaft	1
30	C000630D100	承座 Bracket	1
31	C000631SW	彈簧墊圈 Spring Washer	1
32	MM05321409A	螺絲 Screw	1
33	C000633B700	針線揚線桿 Thread Take-up	1
*34	F000634B700	裝飾線揚線桿 Thread Take-up	1
*35	MB85240807K	螺絲 Screw	2
36	F000636G300	聚油環 Oil Sleeve	1
37	MN04280400A	螺絲 Screw	1
38	6800	油線 Oil Wick	1
39	6800	油線 Oil Wick	1
40	MB85240607K	螺絲 Screw	2
41	MN06401100C	螺絲 Screw	1
42	MN06400800A	螺絲 Screw	1

\* : FT6200, FT6500 用 For FT6200, FT6500 Only

\*\* : FT4600, FT4700 用 For FT4600, FT4700 Only



7. 針留編號列表 Needle Clamp

針留針距 needle clamp	FT4600 FT6200	FT4700 FT6500
4.0	NCC00400	
4.8	NCC00480	
5.6	NCC00561	NCC00561
6.4		NCC00641

13. 針板編號列表 Needle Plate

針板針距 thread plate	FT4600 FT6200	FT4700 FT6500
4.0	TPC00400	
4.8	TPC00480	
5.6	TPC00561	TPC00561
6.4		TPC00641

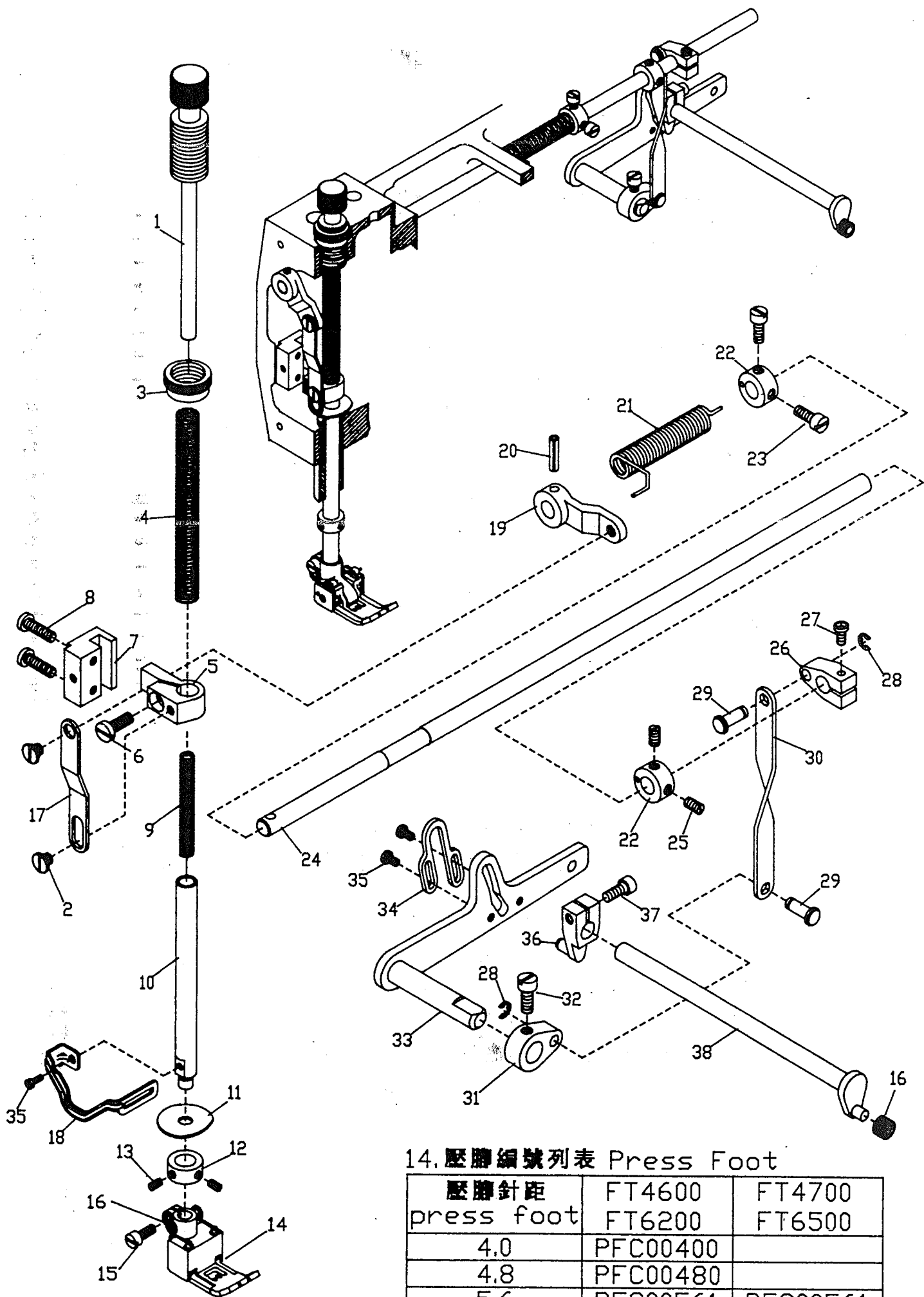
8. 縫針用量列表 Needle Req.

針號	FT4600 FT6200	FT4700 FT6500
UY128GAS		
數量 Amt. Req.	2	3

## 7. 針棒與相關零件 Needle Bar Components

序號 Ref.No.	圖號 Parts No.	名稱 Description	單位用量 Amt. Req.
1	F000701B700	導線 Thread Guide	1
2	MB85240607K	螺絲 Screw	1
3	C000704B700	墊圈 Washer	1
4	F000704B300	針棒 Needle Bar	1
5	F000705A100	針棒驅動銷 Needle Bar Clamp	1
6	MB95301107K	螺絲 Screw	1
7	-----	針留 Needle clamp (See Left Page)	1
8	-----	針 Needle --(UYX128GAS70/10 See Left Page)	
9	SH32440300A	螺絲 Screw	1
*10	C000710B700	導線 Thread Guide	1
11	SH32440300A	螺絲 Screw	1
12	SH32440300A	螺絲 Screw	1
13	-----	針板 Needle Plate (See Left Page)	1
14	SF36400706C	螺絲 Screw	2
15	MB04281607A	螺絲 Screw	2
16	F000716A100	平衡錘 Balance Weight	1
17	MM05321009A	螺絲 Screw	1
18	C000716B700	墊圈 Washer	1
19	MM04282507B	螺絲 Screw	2
20	F000720A100	連桿 Connecting Rod	1
21	C000719NB	滾針軸承 Ball Bearing	1
22	6031404H300	孔塞 Plug	1
23	6800	油線 Oil Wick	1
24	F000724A300	曲柄銷 Rod Pin	2
25	C000109A600	孔塞 Plug	1
26	C000722G300	滑塊 Slide Block	1
27	F000727E200	滑道 Guide Block	1
28	F000728D700	羊毛氈扣環 Felt Guard	1
29	F000729L700	羊毛氈 Felt	1
30	F000730D200	冷卻油槽 Cooler Oil Tank	1
31	F000731B700	冷卻油槽蓋 Cooler Oil Tank Cover	1

\* : FT4700, FT6500 用 For FT4700, FT6500 Only

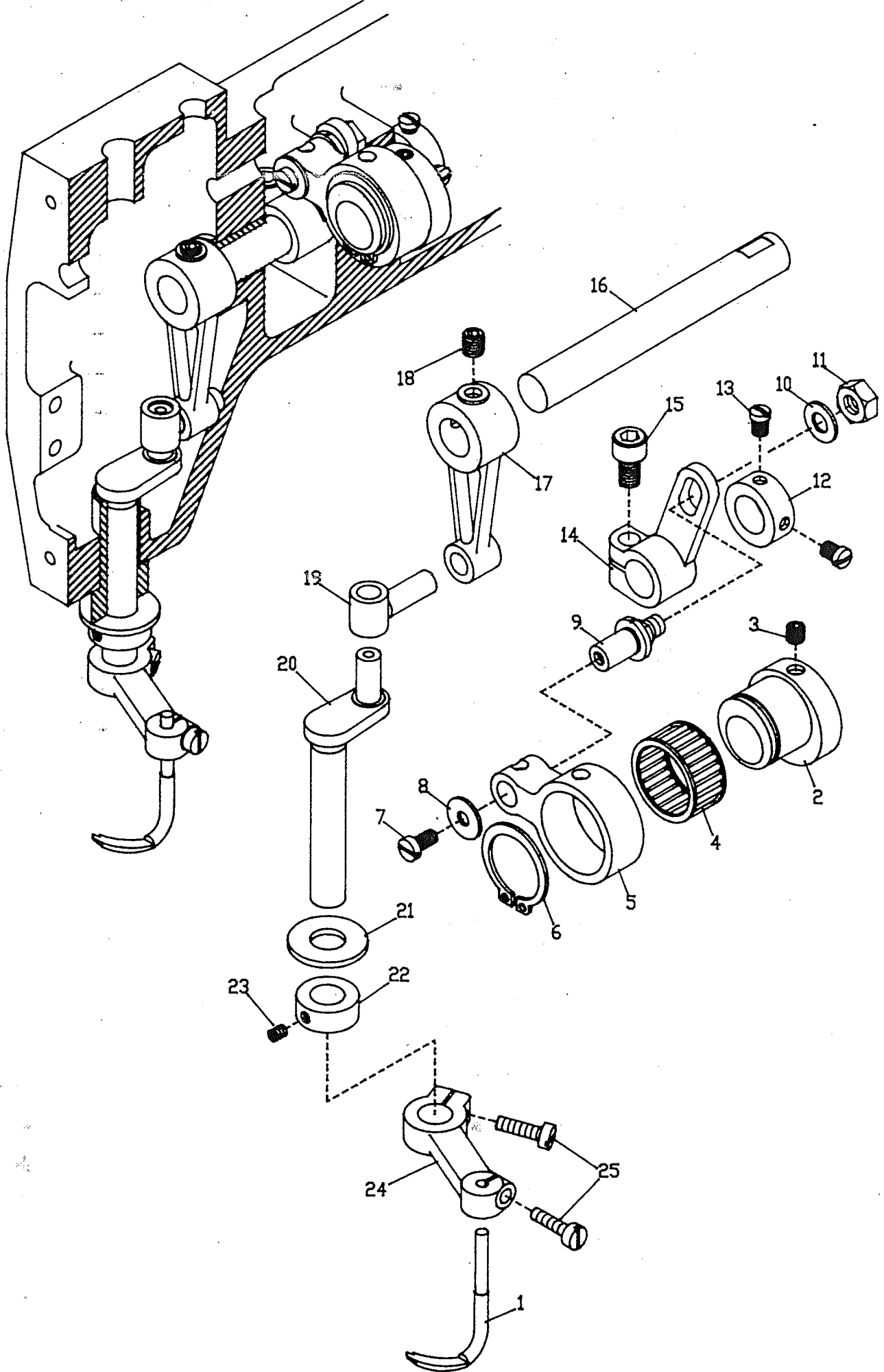


14. 壓腳編號列表 Press Foot

壓腳針距 press foot	FT4600 FT6200	FT4700 FT6500
4.0	PFC00400	
4.8	PFC00480	
5.6	PFC00561	PFC00561
6.4		PFC00641

## 8. 壓腳與相關零件 Presser Foot Components

序號 Ref.No.	圖號 Parts No.	名稱 Description	單位用量 Amt. Req.
1	F000801C300	壓力調整螺椿 Spring Regulator	1
2	MB05320509G	螺絲 Screw	2
3	C000803D300	螺帽 Nut	1
4	F000804A800	彈簧 Spring	1
5	F000805A100	壓腳棒連結臂 Presser Bar Clamp	1
6	MC95300808E	螺絲 Screw	1
7	C000807E200	滑道 Guide Block	1
8	MC95301608E	螺絲 Screw	2
9	F000809A800	彈簧 Spring	1
10	C000810A300	壓腳棒 Presser Bar	1
11	C000811A600	阻油片 Oil Separator	1
12	C000812D300	限動環 Stop Collar	1
13	MH85240300A	螺絲 Screw	2
14	-----	壓腳 Presser Foot (See Left Page)	1
15	MC36400705A	螺絲 Screw	1
16	C000816A800	彈簧 Spring	1
17	C000817B700	連桿 Link	1
18	C000818B700	護指擋片 Safety Plate Holder	1
19	C000819B100	連桿 Lever	1
20	C000820SP	彈簧銷 Spring Pin	1
21	C000821A800	彈簧 Spring	1
22	C000822D300	定位環 Collar	2
23	MC95300606F	螺絲 Screw	2
24	C000824D300	軸 Shaft	1
25	MC95300606F	螺絲 Screw	2
26	C000826E200	連桿 Lever	1
27	MM04281407A	螺絲 Screw	1
28	C000828ER	E形扣環 E Ring	2
29	C000829D300	連結銷 Connecting Pin	2
30	C000830B700	連桿 Link	1
31	C000831E200	連桿 Lever	1
32	MC06401008E	螺絲 Screw	1
33	F000833B700	揚昇臂 Lifter Arm	1
34	F000834B700	揚昇臂限位片 Stopper	1
35	MB85240607K	螺絲 Screw	3
36	C000836E200	曲柄 Drive Arm	1
37	MK95301407A	螺絲 Screw	1
38	C000838E200	曲軸 Shift	1

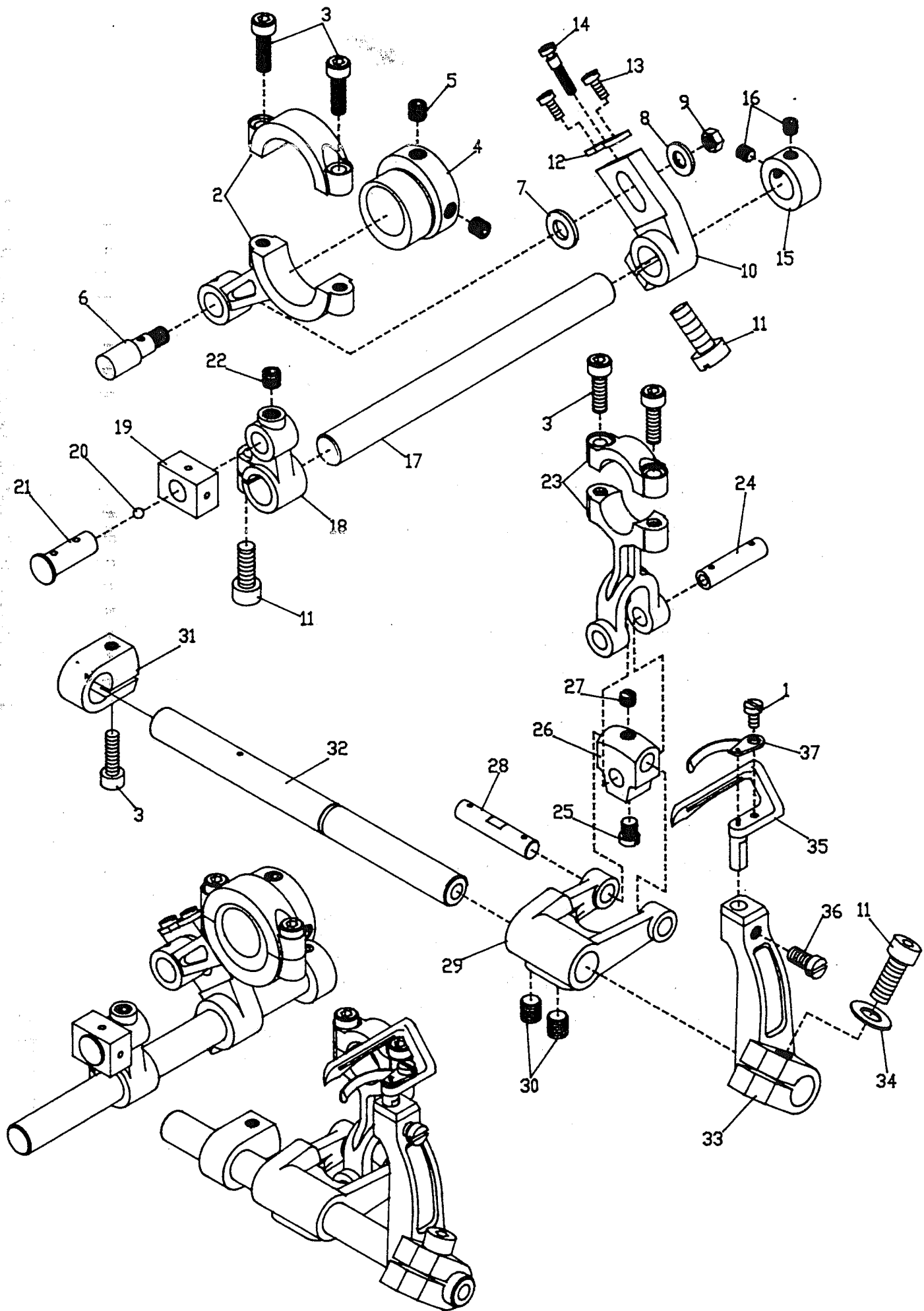




9. 裝飾線驅動機構  
FT6200, FT6500 專用

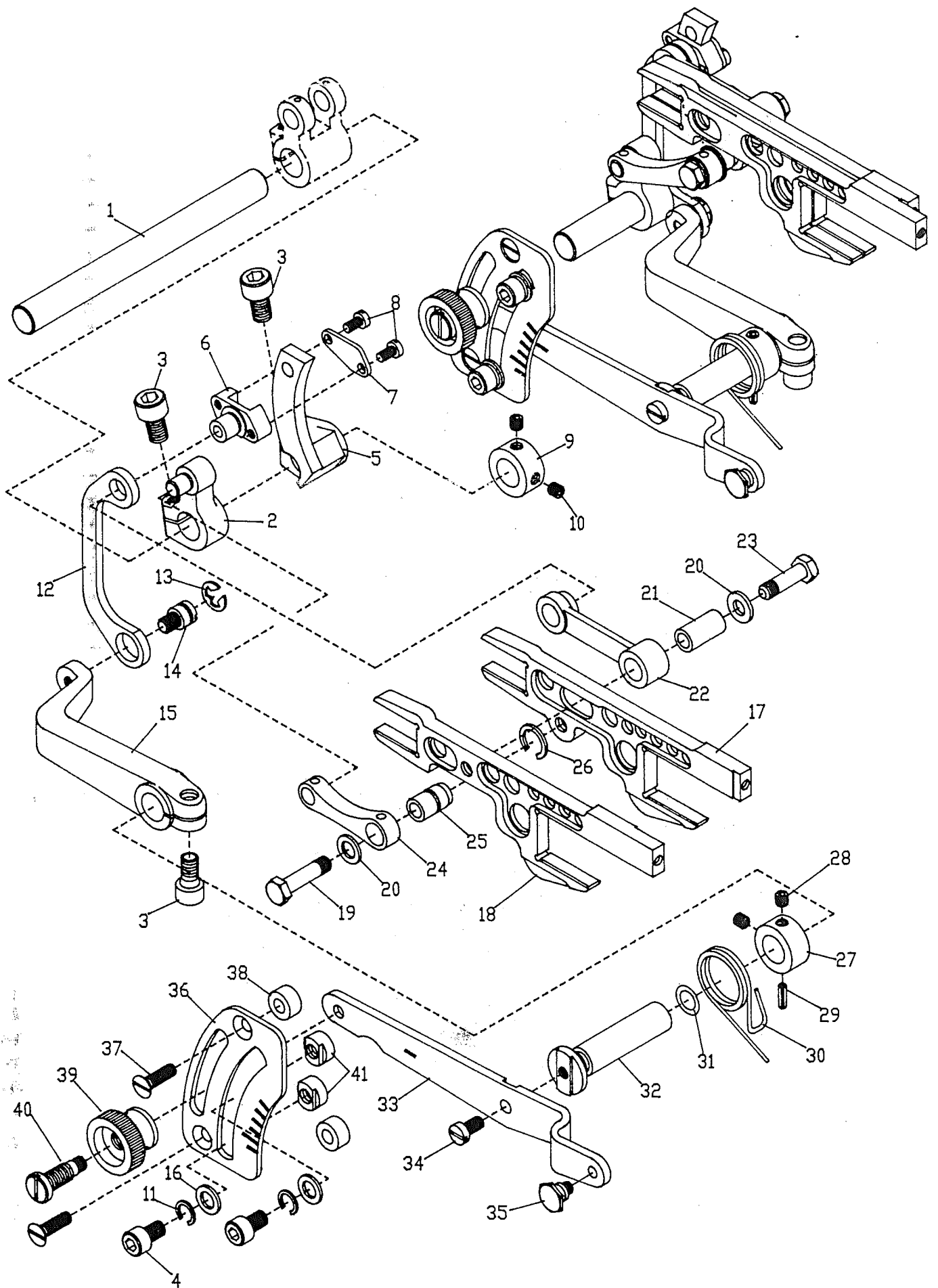
Spreader Mechanism  
FT6200, FT6500 Only

序號 Ref.No.	圖號 Parts No.	名稱 Description	單位用量 Amt. Req.
1	SLF00560	裝飾線結線鉤 Spreader	1
2	C000902A300	偏心輪 Eccentric	1
3	MN05320500A	螺絲 Screw	2
4	C000904NB	滾針軸承 Needle Bearing	1
5	C000905A100	連桿 Connecting Rod	1
6	C000906CR	軸用C形扣環 C Ring	1
7	MB04280807K	螺絲 Screw	1
8	C000908B700	墊圈 Washer	1
9	C000909A300	曲柄銷 Rod Pin	1
10	C000910B700	墊圈 Washer	1
11	MA06400510A	螺帽 Nut	1
12	C000912D300	定位環 Collar	1
13	MC95300606F	螺絲 Screw	2
14	C000914A100	變距曲柄 Lever	1
15	MM06401610A	螺絲 Screw	1
16	C000916A300	軸 Shaft	1
17	C000917E200	連桿 Connecting Rod	1
18	MN06400600A	螺絲 Screw	2
19	C000919E200	連桿銷 Rod Pin	1
20	C000920A100	曲軸 Crank Shaft	1
21	C000921B700	墊圈 Washer	1
22	C000922D300	定位環 Collar	1
23	MH85240500A	螺絲 Screw	2
24	C000924D100	擺動臂 Spreader Arm	1
25	MB04281207K	螺絲 Screw	2



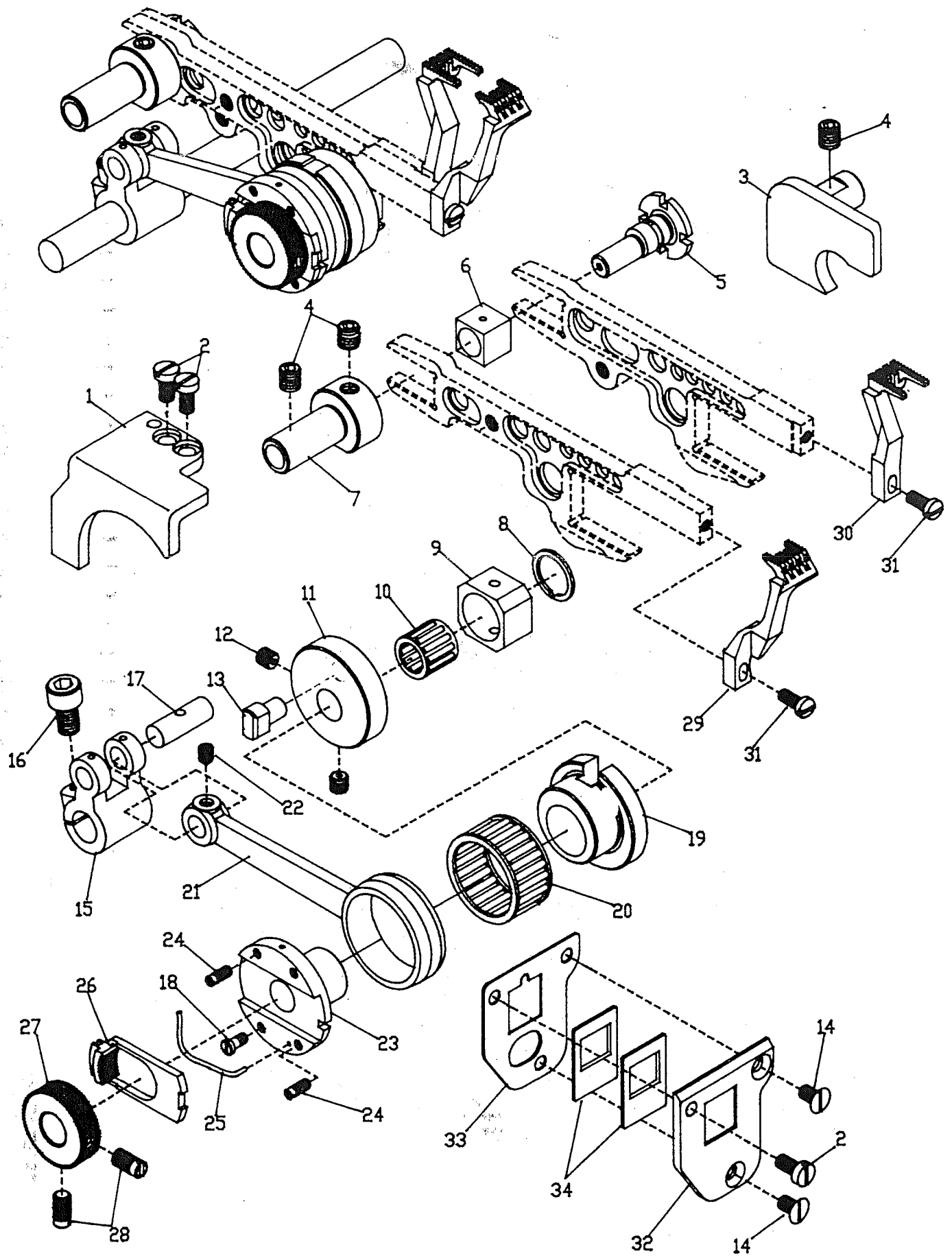
# 10. 結線鉤驅動機構 Looper Driving Mechanism

序號 Ref.No.	圖號 Parts No.	名稱 Description	單位用量 Amt. Req.
1	SB24560405A	螺絲 Screw	1
2	F001002C100	連桿 Connecting Rod	1
3	MM04281407A	螺絲 Screw	5
4	F001004A300	偏心輪 Eccentric	1
5	MN05320500E	螺絲 Screw	2
6	F001006A300	曲柄銷 Lever Pin	1
7	F001007B700	隔環 Spacer	1
8	C001025B700	墊圈 Washer	1
9	MA05320408A	螺帽 Nut	1
10	F001010A100	變距曲柄 Adjusting Lever	1
11	MM05321209A	螺絲 Screw	3
12	F001012B700	卡筭 Adjusting Guide Plate	1
13	MB75180405A	螺絲 Screw	2
14	F001014C300	變距螺樁 Adjusting Stud	1
15	F001015D300	定位環 Collar	1
16	MN04280400A	螺絲 Screw	2
17	F001017B300	軸 Shaft	1
18	F001018A100	曲柄 Lever	1
19	F001019A300	驅動滑塊 Slide Block	1
20	6030403G300	孔塞 Plug	1
21	F001021A300	曲柄銷 Lever Pin	1
22	MN05320500E	螺絲 Screw	1
23	F001023C100	連桿 Rod	1
24	F001024A300	連結銷 Connecting Pin	1
25	MC95300606F	螺絲 Screw	1
26	F001026E200	十字接頭 Lever Link	1
27	MH95300400A	螺絲 Screw	1
28	F001028A300	連結銷 Connecting Pin	1
29	F001029A100	曲柄 Lever	1
30	MN06400600A	螺絲 Screw	2
31	F001031A400	止推夾環 Collar	1
32	F001032A300	軸 Shaft	1
33	F001033D100	擺動臂 Rocker Arm	1
34	F001034B700	墊圈 Washer	1
35	LLF00560	下結線鉤 Looper	1
36	MB04280705K	螺絲 Screw	1
37	NGF00D1	前導針器 Needle Guide	1



# 11.進給變換機構 Feed Control Driving

序號 Ref.No.	圖號 Parts No.	名稱 Description	單位用量 Amt. Req.
1	F001101B300	軸 Shaft	1
2	F001102A100	曲柄 Lever	1
3	MM06401210A	螺絲 Screw	3
4	MM05320809A	螺絲 Screw	2
5	F001105A100	差動變距滑道 Differential Rocker	1
6	F001106E200	差動變距滑塊 Slide Block	1
7	F001107K700	滑塊檔板 Slide Block Cap	1
8	MB03200606K	螺絲 Screw	2
9	F001109D300	定位環 Collar	1
10	MN05320500E	螺絲 Screw	2
11	C000631SW	彈簧墊圈 Spring Washer	2
12	F001112K700	連桿 Link	1
13	F001113ER	E形扣環 E Ring	1
14	F001114C300	連結銷 Connecting Pin	1
15	F001115B100	差動變換臂 Differential Lever	1
16	C001025B700	墊圈 Washer	2
17	F001117A100	主送齒驅動座 Feed Dog Seat	1
18	F001118A100	副送齒驅動座 Feed Dog Seat	1
19	MK05202108G	螺絲 Screw	1
20	C001025B700	墊圈 Washer	2
21	F001121A300	套管 Bushing	1
22	F001122A100	連桿 Rod	1
23	MK05201808G	螺絲 Screw	1
24	F001124E200	連桿 Rod	1
25	F001125A300	套管 Bushing	1
26	F001126SR	C形同心扣環 C Ring	1
27	F001127D300	定位環 Collar	1
28	MN04280400A	螺絲 Screw	2
29	C000820SP	彈簧銷 Spring Pin	1
30	F001130A800	回復彈簧 Spring	1
31	F001131OR	O形油環 O Ring	1
32	F001132D300	差動游標軸 Shaft	1
33	F001133B700	差動變換桿 Lever	1
34	MB04280807K	螺絲 Screw	1
35	F001135C300	懸掛螺樁 Stud	1
36	F001136B700	差動刻記板 Regulator Plate	1
37	ME04281408A	螺絲 Screw	2
38	C001141D300	隔環 Spacer	2
39	F001139C300	鎖緊螺帽 Nut	1
40	MB06401910Q	螺樁 Stud	1
41	C001142D300	止動環 Stopper	2



30. 主送齒綫號列表 Main Feed Dog

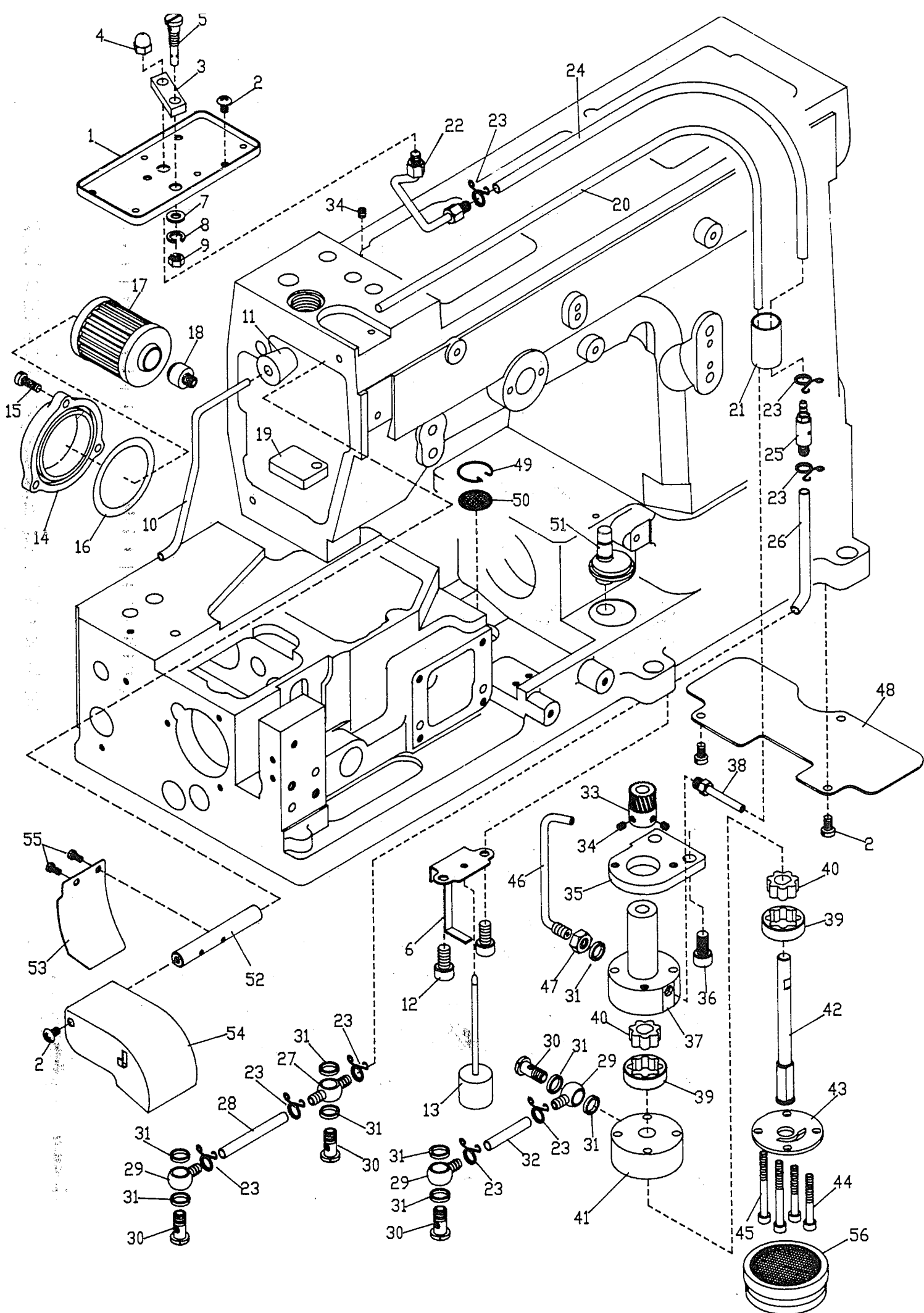
主送布齒 main feed dog	FT4600 FT6200 FT4700 FT6500
4.0 4.8 5.6	FD00560
6.4	FD00640

29. 副送齒綫號列表 Diff. Feed Dog

副送布齒 diff_ feed dog	FT4600 FT6200 FT4700 FT6500
4.0 4.8 5.6	DF00560
6.4	DF00640

## 12. 導針與送布齒驅動機構 Needle Guide And Feed Dog Driving

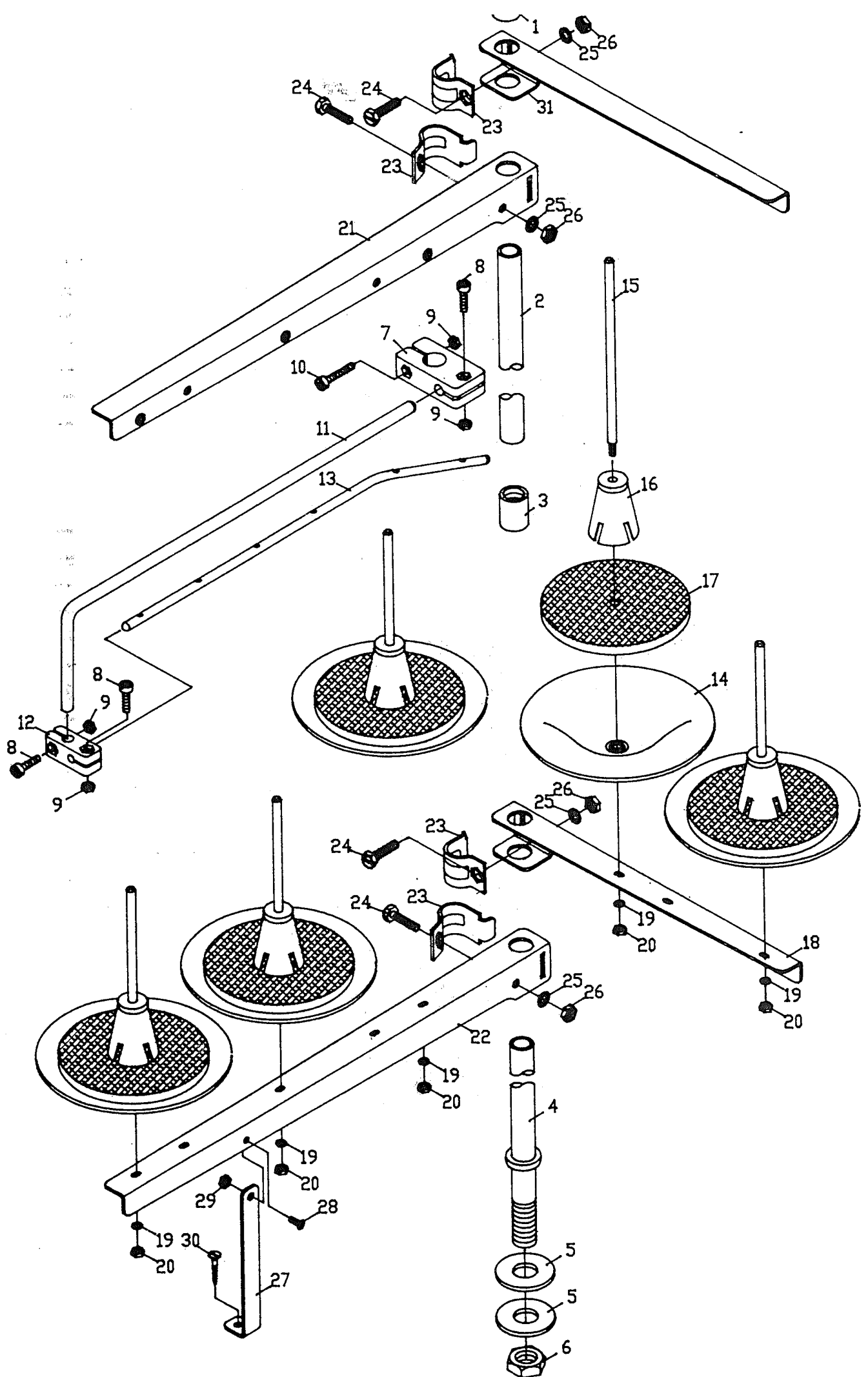
序號 Ref.No.	圖號 Parts No.	名稱 Description	單位用量 Amt.Req.
1	F001201K700	送布齒座導軌 Feed Bar Guide	1
2	MB04280807K	螺絲 Screw	3
3	F001203E200	送布齒座導軌 Feed Bar Guide	1
4	MN06400600A	螺絲 Screw	3
5	F001205A300	送布齒台調整軸 Feed Adjusting Shaft	1
6	C001245G300	滑塊 Slide Block	1
7	F001207A300	懸臂 Guide	1
8	F001208SP	C形同心扣環 C Ring	1
9	F001209A300	滑塊 Slide Block	1
10	F001210NB	滾針軸承 Needle Bearing	1
11	F001211A300	變距銷座 Eccentric Pin Holder	1
12	MN05320500E	螺絲 Screw	2
13	F001213A300	變距銷 Eccentric Pin	1
14	ME04280708A	螺絲 Screw	2
15	F001215A100	曲柄 Shaft	1
16	MM06401210A	螺絲 Screw	1
17	F001217A300	曲柄銷 Shaft Pin	1
18	MB03200605B	螺絲 Screw	1
19	F001219A300	進給偏心輪 Eccentric	1
20	F001220NB	滾針軸承 Needle Bearing	1
21	F001221A100	連桿 Rod	1
22	MN04280600C	螺絲 Screw	1
23	F001223A300	變距偏心輪 Regulating Eccentric	1
24	MB03200403F	螺絲 Screw	2
25	F001225A800	彈簧 Spring	1
26	F001226B700	離合齒片 Regulating Plate	1
27	F001227A300	離合齒輪 Regulating Gear	1
28	MB05320805F	螺絲 Screw	2
29	-----	副送布齒 Diff.Feed Dog (See Left Page)	1
30	-----	主送布齒 Main Feed Dog (See Left Page)	1
31	MB85240807K	螺絲 Screw	2
32	F001232C200	滑動油封座 Rubber Case	1
33	F001233B700	輔助油封座 Gasket	1
34	F001234F600	從動式油封 Rubber	2





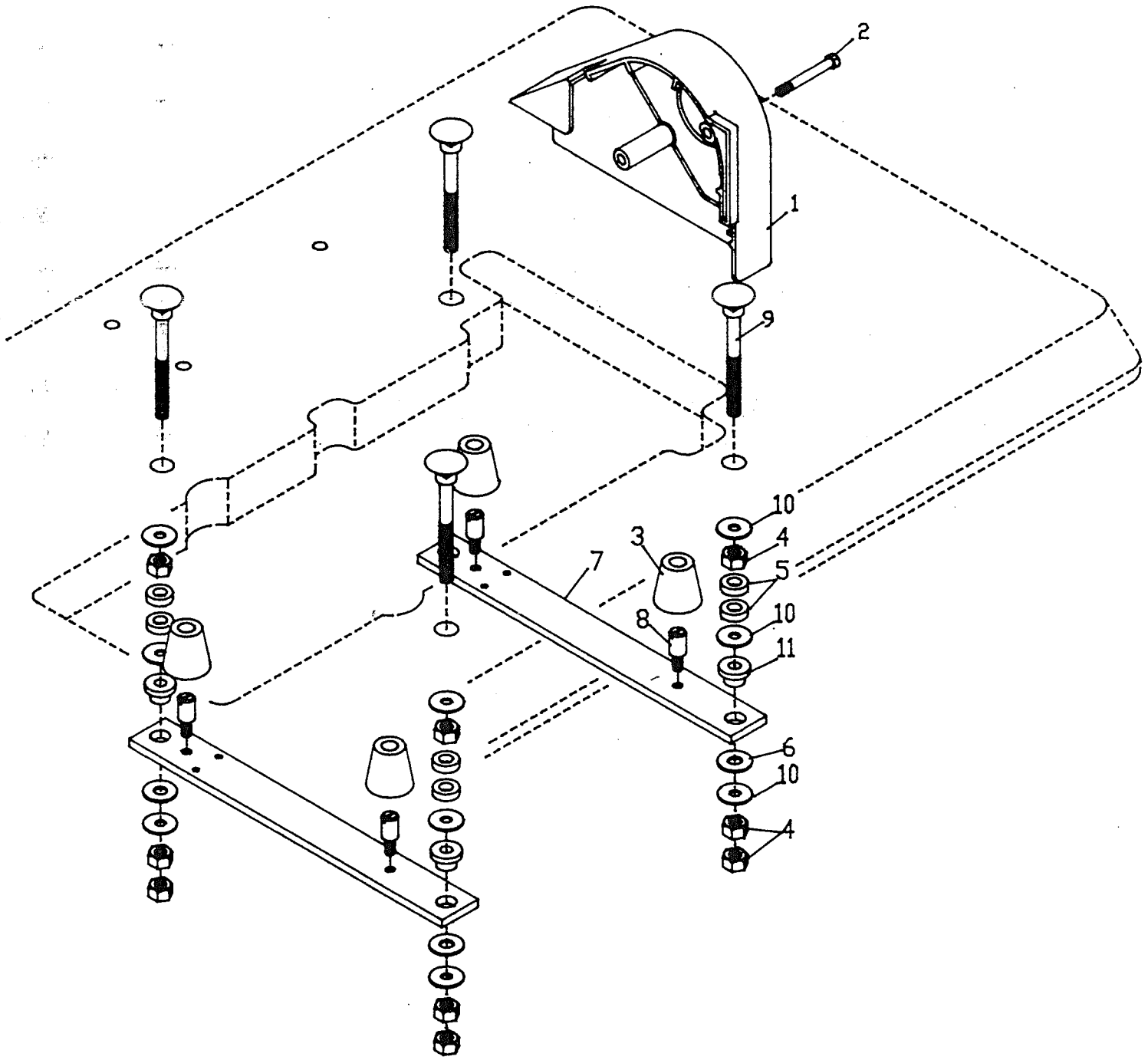
# 13. 潤滑系統 Lubrication System

序號 Ref.No.	圖號 Parts No.	名稱 Description	單位用量 Amt. Req.
1	F001301B700	承油盤 Oil Receiver	1
2	MC04280507D	螺絲 Screw	6
3	F001303D200	導油歧路 Lubricant Guiding Block	1
4	F001304G300	噴油嘴 Nozzle	1
5	F001305D300	注油管 Oil Pipe	1
6	F001306B700	浮標座 Indicator Support	1
7	C000232PW	墊圈 Washer	1
8	C000631SW	彈簧墊圈 Spring Washer	1
9	MA05320408A	螺帽 Nut	1
10	F001310G300	油管 Oil Tube	1
11	F001311A600	孔塞 Plug	1
12	MC04280507D	螺絲 Screw	2
13	F001313D600	油面浮標 Indicator	1
14	C001311C200	封蓋 Oil Filter Cover	1
15	MB04281207K	螺絲 Screw	3
16	C0013130R	O形油環 O Ring	1
17	60315210F	過濾器 Oil Filter	1
18	C001315G300	濾器接頭 Oil Filter Joint	1
19	C001318L700	羊毛氈 Felt	1
20	6692	油管 Oil Tube	1
21	C001320D300	油管護套 Bushing	1
22	F001322G300	噴油嘴 Nozzle	1
23	6031536A800	夾簧 Latch Spring	8
24	6790	油管 Oil Tube	1
25	C001325G300	單向閥 One Way Valve	1
26	6790	油管 Oil Tube	1
27	C001327G300	油接管接頭 Oil Tube Joint	1
28	C001328A600	油接管 Oil Tube	1
29	C001329G300	油接管接頭 Oil Tube Joint	3
30	6031533D300	螺樁 Stud	3
31	6031534E600	油封 Seal	9
32	C001332A600	油管 Oil Tube	1
33	C001341A300	蝸母 Worm Gear	1
34	MN04280400A	螺絲 Screw	3
35	C001352B700	泵座 Pump Seat	1
36	MM06401210A	螺絲 Screw	2
37	C001353A500	回收泵 Pump Body	1
38	C001344G300	油管 Oil Tube	1
39	C001354A500	外轉子 Outside Rotor	2
40	C001355A500	內轉子 Inside Rotor	2
41	C001356A500	壓出泵 Rotor Case	1
42	C001357D300	軸 Shaft	1
43	C001358B700	封蓋 Cover	1
44	MM04283007B	螺絲 Screw	2
45	MM04284007B	螺絲 Screw	2
46	C001346G300	噴油嘴 Nozzle	1
47	MA06400510A	螺帽 Nut	1
48	F001348B700	隔板 Separate	1
49	C001316A800	扣簧 Filter Screen Clamp	1
50	F001350B700	網板 Filter Screen	1
51	F001351B600	油面計 Oil Wick	1
52	F001352D300	軸 Shaft	1
53	F001353B700	防油蓋 Cover	1
54	F001354B700	防油蓋 Cover	1
55	MB03200506K	螺絲 Screw	2
56	C001366	油網 Oil grid	1



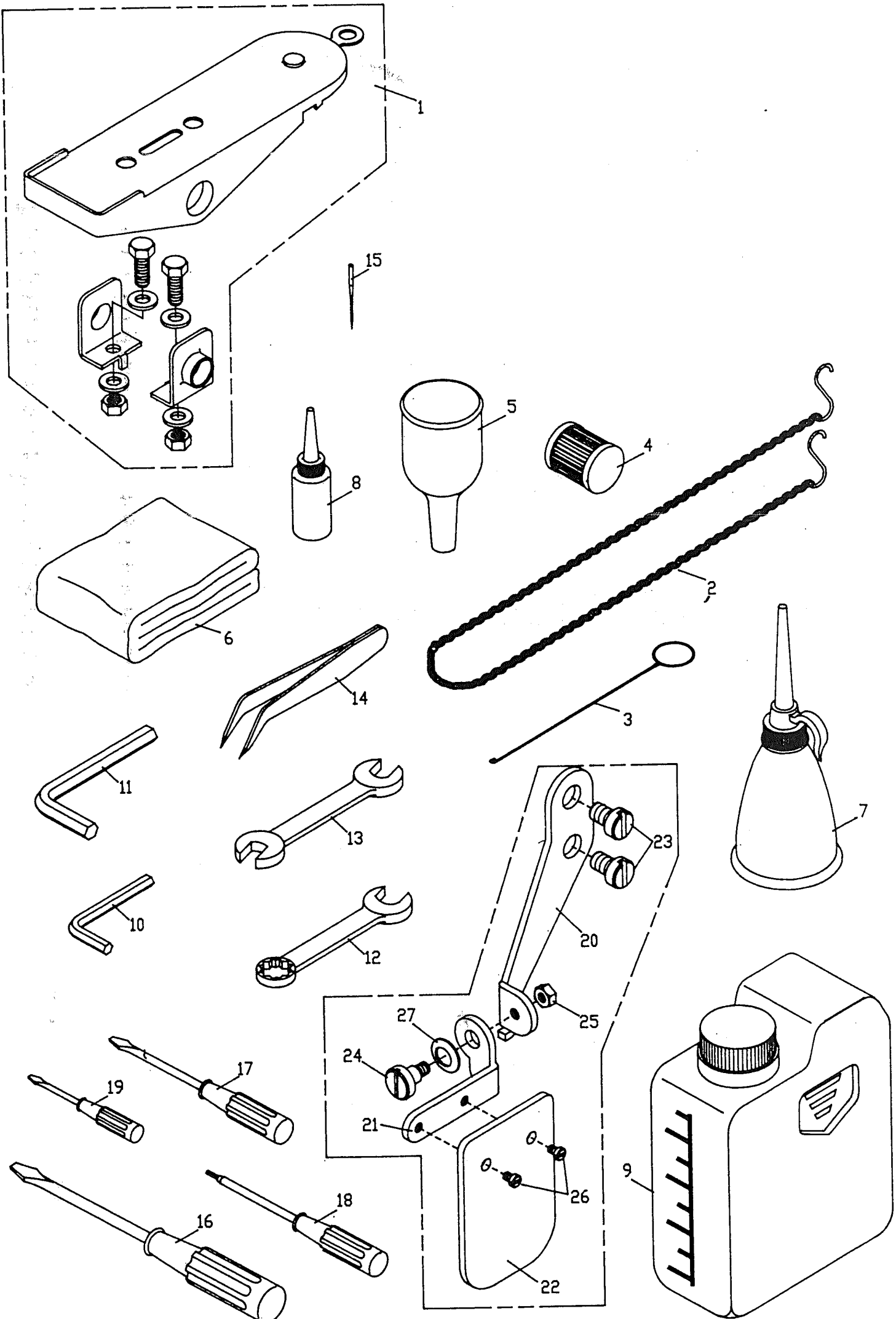
# 14. TS5 線架 Thread Stand TS5

序號	圖號	名稱	單位用量
Ref.No.	Parts No.	Description	Amt. Req.
1	67051	柱帽 Rod Cup -----	1
2	67052	上柱 Upper Thread Stand Rod -----	1
3	67053	接頭 Joint -----	1
4	67054	下柱 Lower Thread Stand Rod -----	1
5	67055	墊圈 Washer -----	2
6	67056	螺帽 Nut -----	1
7	67057	接頭 Bracket -----	1
8	67058	螺絲 Screw -----	3
9	67059	螺帽 Nut -----	4
10	670510	螺絲 Screw -----	1
11	670511	旋臂 Arm -----	1
12	670512	接頭 Bracket -----	1
13	670513	導線桿 Thread Guide -----	1
14	670514	線盤 Spool Set for SH6005 -----	5
15	670515	線盤軸 Spool Pin -----	5
16	670516	定心錐 Spool Retaining Fig -----	5
17	670517	緩衝墊 Seat -----	5
18	67061	線盤座 Spool Set Bracket -----	1
19	670519	彈簧墊圈 Spring Washer -----	5
20	670520	螺帽 Nut -----	5
21	670521	導線臂 Thread Guide -----	1
22	670522	線盤座 Spool Set Bracket -----	1
23	670523	夾板 Clamp -----	4
24	670524	螺絲 Screw -----	4
25	670525	彈簧墊圈 Spring Washer -----	4
26	670526	螺帽 Nut -----	4
27	670527	撐桿 Support Rod -----	1
28	670528	螺絲 Screw -----	1
29	670529	螺帽 Nut -----	1
30	670530	木螺絲 Wood Screw -----	1
31	670631	導線 Thread Guide -----	1



# 15. 裝載附件 Table Components

序號 Ref.No.	圖號 Parts No.	名稱 Description	單位用量 Amt.Req.
1	C001501D600	皮帶蓋 Belt Cover	1
2	MB06404609S	螺絲 Screw	2
3	F001503A600	減震橡膠 Rubber Cushion	4
4	SA79180613A	螺帽 Nut	12
5	F001505C200	隔環 Spcer	8
6	C001513A600	橡膠墊圈 Rubber Washer	4
7	F001507B700	車頭承板 Supporting Board	2
8	MB06401012M	螺椿 Bolt	4
9	SC79189627B	懸吊螺椿 Bolt	4
10	C001510PW	墊圈 Washer	12
11	C001511A600	橡膠環 Rubber Washer	4

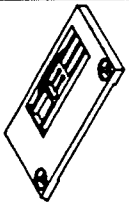
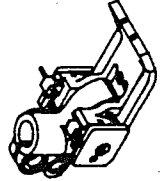
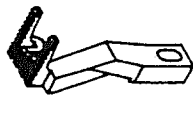
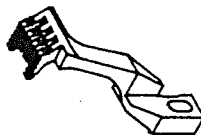
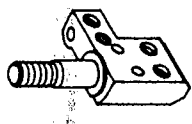

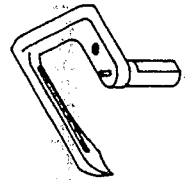

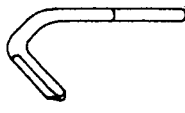


# 16. 工具及附件 Accessories

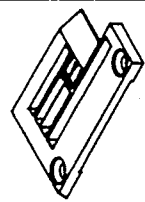
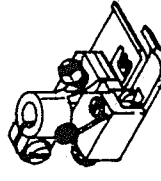
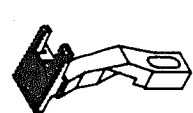
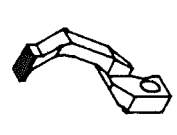
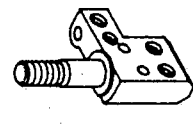
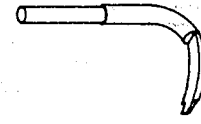
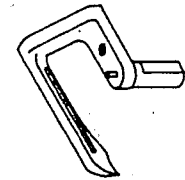

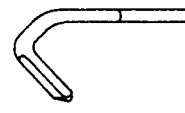
序號 Ref.No.	圖號 Parts No.	名稱 Description	單位用量 Amt. Req.
1	6700	踏板組 Pedel Complete	1
2	6695	鍊條組 Chain Set	1
3	6840	穿線鋼絲 Threading Bar	1
4	60315210F	過濾器 Oil Filter	1
5	6720	漏斗 Oil Funnel	1
6	6846	防塵罩 Mechine Cover	1
7	6721	油壺 Oiler	1
8	6722	矽油 Silicon Oil	1
9	6715	油罐 Oil Container	1
10	6636	六角扳手 Spanner 3MM	1
11	6637	六角扳手 Spanner 4MM	1
12	6612	梅花扳手 Wrench 10MM	1
13	6613	開口扳手 Wrench 7/8MM	1
14	6690	鑷子 Tweezer	1
15	6725-10	備用針 Retainer Needle	5
16	6665	長起子 Screw Driver (Large)	1
17	6666	中起子 Screw Driver (Medium)	1
18	6675	六角起子 Spanner 2.5mm	1
19	6667	小起子 Screw Driver (Small)	1
20	C001620B700	護目鏡座 Safety Plate Support	1
21	C001621B700	護目鏡架 Safety Plate Holder	1
22	C001622B600	護目鏡 Safety Plate	1
23	MC06401008E	螺絲 Screw	2
24	SB36400810E	螺絲 Screw	1
25	SA36400407A	螺帽 Nut	1
26	MB03200405A	螺絲 Screw	2
27	C000228PW	墊圈 Washer	1

# FT GAUGE PARTS LIST

FT△△00

機型 Models	Main Parts 更換零件 針距		Throat plate 針板		Presser foot asm 壓腳		Main feed dog 主送布齒		Diff feed dog 副送布齒		Needle clamp 針留		Upper looper 上結線鉤		Lower looper 下結線鉤		Needle guide 前導針		Needle guide 後導針
FT00	4.0	TPC00400	PFC00400	FDF00560	DFD00560	DFF00560	NCC00400	SLF00560	LLF00560	NGF00D1	NGF00D0								
	4.8	TPC00480	PFC00480	FDF00560	DFD00560	DFF00560	NCC00480	SLF00560	LLF00560	NGF00D1	NGF00D0								
	5.6	TPC00561	PFC00561	FDF00560	DFD00560	DFF00560	NCC00561	SLF00560	LLF00560	NGF00D1	NGF00D0								
	6.4	TPC00641	PFC00641	FDF00640	DFD00640	DFF00640	NCC00641	SLF00560	LLF00560	NGF00D1	NGF00D0								

FT△△03

機型 Models	Main Parts 更換零件 針距		Throat plate 針板		Presser foot asm 壓腳		Main feed dog 主送布齒		Diff feed dog 副送布齒		Needle clamp 針留		Upper looper 上結線鉤		Lower looper 下結線鉤		Needle guide 前導針		Needle guide 後導針
FT03	4.0	TPC03403	PFC03403	FDF03563	DFD03563	DFF03563	NCC00400	SLF00560	LLF00560	NGF00D1	NGF00D0								
	4.8	TPC03483	PFC03483	FDF03563	DFD03563	DFF03563	NCC00480	SLF00560	LLF00560	NGF00D1	NGF00D0								
	5.6	TPC03563	PFC03563	FDF03563	DFD03563	DFF03563	NCC00561	SLF00560	LLF00560	NGF00D1	NGF00D0								
	6.4	TPC03643	PFC03643	FDF03563	DFD03563	DFF03563	NCC00641	SLF00560	LLF00560	NGF00D1	NGF00D0								



FT△△09

Main Parts 更換零件	機針	型距	Throat plate 針板	Presser foot asm 壓腳	Main feed dog 主送布齒	Diff feed dog 副送布齒	Needle clamp 針留	Upper looper 上結線鉤	Lower looper 下結線鉤	Needle guide 前導針	Needle guide 後導針
		4.0	TPF09400	PFF09400	FDF09560	DFF09560	NCC00400	SLF00560	LLF00560	NGF00D1	NGF00D0
		4.8	TPF09480	PFF09480	FDF09560	DFF09560	NCC00480	SLF00560	LLF00560	NGF00D1	NGF00D0
		5.6	TPF09561	PFF09561	FDF09560	DFF09560	NCC00561	SLF00560	LLF00560	NGF00D1	NGF00D0
		6.4	TPF09641	PFF09641	FDF09560	DFF09560	NCC00641	SLF00560	LLF00560	NGF00D1	NGF00D0

FT△△11

Main Parts 更換零件	機針	型距	Throat plate 針板	Presser foot asm 壓腳	Main feed dog 主送布齒	Diff feed dog 副送布齒	Needle clamp 針留	Upper looper 上結線鉤	Lower looper 下結線鉤	Needle guide 前導針	Needle guide 後導針
		4.0	TPC11403	PFC00400	FDF00560	DFF11560	NCC00400	SLF00560	LLF00560	NGF00D1	NGF00D0
		4.8	TPC11483	PFC00480	FDF00560	DFF11560	NCC00480	SLF00560	LLF00560	NGF00D1	NGF00D0
		5.6	TPC11563	PFC00561	FDF00560	DFF11560	NCC00561	SLF00560	LLF00560	NGF00D1	NGF00D0
		6.4	TPC11643	PFC00641	FDF00640	DFF11640	NCC00641	SLF00560	LLF00560	NGF00D1	NGF00D0

# FT GAUGE PARTS LIST

FT△13-0

Main Parts 更換零件 機針	Throat plate 針板	Presser foot asm 壓腳	Main feed dog 主送布齒	Diff feed dog 副送布齒	Needle clamp 針留	Upper looper 上結線鉤	Lower looper 下結線鉤	Needle guide 前導針	Needle guide 後導針	Models
FT13-0	4.0	TPC13404	PFC13400	FDF00560	DFE00560	NCC00400	SLF00560	LLF00560	NGF00D1	NGF00D0
	4.8	TPC13484	PFC13480	FDF00560	DFE00560	NCC00480	SLF00560	LLF00560	NGF00D1	NGF00D0
	5.6	TPC13564	PFC13561	FDF00560	DFE00560	NCC00561	SLF00560	LLF00560	NGF00D1	NGF00D0
	6.4	TPC13644	PFC13641	FDF00640	DFE00640	NCC00641	SLF00560	LLF00560	NGF00D1	NGF00D0

FT△13-1

Main Parts 更換零件 機針	Throat plate 針板	Presser foot asm 壓腳	Main feed dog 主送布齒	Diff feed dog 副送布齒	Needle clamp 針留	Upper looper 上結線鉤	Lower looper 下結線鉤	Needle guide 前導針	Needle guide 後導針	Models
FT13-1	4.0	TPC13400	PFC13400	FDF13561	DFE13560	NCC00400	SLF00560	LLF00560	NGF00D1	NGF00D0
	4.8	TPC13480	PFC13480	FDF13561	DFE13560	NCC00480	SLF00560	LLF00560	NGF00D1	NGF00D0
	5.6	TPC13561	PFC13561	FDF13561	DFE13560	NCC00561	SLF00560	LLF00560	NGF00D1	NGF00D0
	6.4	TPC13641	PFC13641	FDF13641	DFE13640	NCC00641	SLF00560	LLF00560	NGF00D1	NGF00D0

FT△△13-2

Main Parts 更換零件 機針	Throat plate 針板	Presser foot asm 壓腳	Main feed dog 主送布齒	Diff feed dog 副送布齒	Needle clamp 針留	Upper looper 上結線鉤	Lower looper 下結線鉤	Needle guide 前導針	Needle guide 後導針	Models
FT13-2	TPC13400	PFC13400	FDF13560	DF13560	NCC00400	SLF00560	LLF00560	NGF00D1	NGF00D0	4.0
	TPC13480	PFC13480	FDF13560	DF13560	NCC00480	SLF00560	LLF00560	NGF00D1	NGF00D0	4.8
	TPC13561	PFC13561	FDF13560	DF13560	NCC00561	SLF00560	LLF00560	NGF00D1	NGF00D0	5.6
	TPC13641	PFC13641	FDF13640	DF13640	NCC00641	SLF00560	LLF00560	NGF00D1	NGF00D0	6.4

FT6760

Main Parts 更換零件 機針	Throat plate 針板	Presser foot asm 壓腳	Main feed dog 主送布齒	Diff feed dog 副送布齒	Needle clamp 針留	Upper looper 上結線鉤	Lower looper 下結線鉤	Needle guide 前導針	Needle guide 後導針	Models
FT6760	OPTIONAL	OPTIONAL	FDF60560	DF60560	OPTIONAL	SLF00560	LLF00560	NGF00D1	F600141B200	5.6
	TPF60600	PFF60H08	FDF60560	DF60560	NCF60600	SLF00560	LLF00560	NGF00D1	F600141B200	6.0
	OPTIONAL	OPTIONAL	FDF60560	DF60560	OPTIONAL	SLF00560	LLF00560	NGF00D1	F600141B200	6.4

\* OPTION-MAKE TO ORDER

# FT零件冊檢索 INDEX

圖號 Parts No.	組 Group	序號 Ref.No.	單位用量 Amt.Req.	圖號 Parts No.	組 Group	序號 Ref.No.	單位用量 Amt.Req.	圖號 Parts No.	組 Group	序號 Ref.No.	單位用量 Amt.Req.
6030244A600	1	35	1	C000359B700	3	50	1	C000920A100	9	20	1
6030403G300	10	20	1	C000361	3	53	1	C000921B700	9	21	1
6031121D600	3	1	5	C000404A600	4	5	1	C000922D300	9	22	1
6031122D600	3	3	5	C000405G300	4	6	1	C000924D100	9	24	1
6031123A800	3	2	3	C000406A600	4	7	1	C001025B700	10	8	1
6031125D600	3	5	5	C000408G300	4	9	1	C001025B700	11	16	2
6031126D700	3	7	1	C000409G300	4	10	1	C001025B700	11	20	2
6031127L700	3	6	5	C000410G300	4	11	1	C001141D300	11	38	2
6031131A800	3	4	2	C000411G300	4	12	1	C001142D300	11	41	2
6031404H300	7	22	1	C000422H300	4	31	1	C001245G300	12	6	1
6031533D300	13	30	3	C000505A500	5	7	1	C001311C200	13	14	1
6031534E600	13	31	9	C000509B100	6	11	1	C001315G300	13	18	1
6031536A800	13	23	8	C000604F700	6	4	1	C001316A800	13	49	1
6051110B700	3	22	2	C000606A300	5	10	1	C001317B700	13	50	1
C000101C200	1	1	1	C000606A300	6	6	1	C001318L700	13	19	1
C000103A600	1	3	1	C000608A500	6	8	1	C001320D300	13	21	1
C000104B600	1	4	1	C000609A300	6	9	1	C001325G300	13	25	1
C000105A600	1	5	1	C000610D300	6	10	1	C001327G300	13	27	1
C000107D200	1	7	1	C000617A600	6	17	1	C001328A600	13	28	1
C000108G700	1	8	1	C000619C100	6	19	1	C001329G300	13	29	3
C000109A600	4	27	1	C000622E200	6	22	1	C001332A600	13	32	1
C000109A600	7	25	1	C000624A100	6	24	1	C001341A300	13	33	1
C000136H300	1	27	1	C000627B700	6	27	1	C001344G300	13	38	1
C000208A600	2	26	1	C000628A300	6	28	1	C001346G300	13	46	1
C000208A600	4	28	1	C000629A300	6	29	1	C001352B700	13	35	1
C000209G700	2	13	1	C000630D100	6	30	1	C001353A500	13	37	1
C000210B700	2	12	1	C000633B700	6	33	1	C001354A500	13	39	2
C000212B700	2	28	1	C000704B700	7	3	1	C001355A500	13	40	2
C000224C200	2	41	1	C000710B700	7	10	1	C001356A500	13	41	1
C000228B700	16	27	1	C000716B700	7	18	1	C001357D300	13	42	1
C000243B700	2	52	1	C000722G300	7	26	1	C001358B700	13	43	1
C000308C300	3	8	5	C000803D300	8	3	1	C001366	13	56	1
C000309D300	3	9	5	C000805A100	8	5	1	C001501D600	15	1	1
C000310B700	3	10	1	C000807E200	8	7	1	C001511A600	15	11	4
C000311B700	3	11	5	C000810A300	8	10	1	C001513A600	15	6	4
C000312B700	3	12	5	C000811A600	8	11	1	C001620B700	16	20	1
C000313B700	3	13	1	C000812D300	8	12	1	C001621B700	16	21	1
C000317B700	3	20	1	C000816A800	8	16	1	C001622B600	16	22	1
C000327D300	3	21	2	C000817B700	8	17	1	F000111C200	1	11	1
C000331B700	3	25	1	C000818B700	8	18	1	F000112G700	1	12	1
C000335D200	3	29	1	C000819B100	8	19	1	F000113C200	1	13	1
C000336D700	3	30	1	C000821A800	8	21	1	F000118A600	1	18	2
C000338B700	3	32	1	C000822D300	8	22	2	F000119A600	1	19	3
C000339L700	3	33	1	C000824D300	8	24	1	F000119A600	2	48	1
C000340B700	3	34	1	C000826E200	8	26	1	F000120D700	1	20	1
C000343B700	3	37	1	C000829D300	8	29	2	F000123B700	1	23	1
C000345B700	3	39	1	C000830B700	8	30	1	F000128A200	1	28	1
C000347B700	3	41	1	C000831E200	8	31	1	F000133A600	1	33	1
C000348B700	3	42	1	C000836E200	8	36	1	F000134C200	1	34	1
C000349B700	3	43	1	C000838E200	8	38	1	F000201C200	2	1	1
C000350A800	3	44	1	C000902A300	9	2	1	F000204B700	2	4	1
C000353B700	3	47	1	C000905A100	9	5	1	F000207D700	2	7	1
C000354D300	3	48	1	C000908B700	9	8	1	F000209C200	2	9	1
C000354D300	5	50	1	C000909A300	9	9	1	F000215B700	2	15	1
C000355A700	3	38	2	C000910B700	2	24	1	F000216G700	2	16	1
C000355A700	5	51	2	C000912D300	9	12	1	F000219B700	2	19	1
C000356A800	3	36	1	C000914A100	9	14	1	F000220G700	2	20	1
C000356A800	5	52	1	C000916A300	9	16	1	F000221D300	2	21	1
C000357D300	3	16	1	C000917E200	9	17	1	F000222A800	2	22	1
C000357D300	5	53	1	C000919E200	9	19	1	F000227A600	2	27	6

# FT零件冊檢索 INDEX

圖號 Parts No.	組 Group	序號 Ref.No.	單位用量 Amt.Req.	圖號 Parts No.	組 Group	序號 Ref.No.	單位用量 Amt.Req.	圖號 Parts No.	組 Group	序號 Ref.No.	單位用量 Amt.Req.
F000229B700	2	29	1	F000613A300	6	13	1	F001136B700	11	36	1
F000230G700	2	30	1	F000634B700	6	34	1	F001139C300	11	39	1
F000231E200	2	31	1	F000636G300	6	36	1	F001201K700	12	1	1
F000232G700	2	32	1	F000701B700	7	1	1	F001203E200	12	3	1
F000234B700	2	34	1	F000704B300	7	4	1	F001205A300	12	5	1
F000236B700	2	36	1	F000705A100	7	5	1	F001207A300	12	7	1
F000239B700	2	39	1	F000716A100	7	16	1	F001209A300	12	9	1
F000240G700	2	40	1	F000720A100	7	20	1	F001211A300	12	11	1
F000243C200	2	43	1	F000724A300	7	24	2	F001213A300	12	13	1
F000249D700	2	49	1	F000727E200	7	27	1	F001215A100	12	15	1
F000253D600	2	53	1	F000728D700	7	28	1	F001217A300	12	17	1
F000256B700	2	56	1	F000729L700	7	29	1	F001219A300	12	19	1
F000257C200	2	57	1	F000730D200	7	30	1	F001221A100	12	21	1
F000315B700	3	15	1	F000731B700	7	31	1	F001223A300	12	23	1
F000317B700	3	17	1	F000801C300	8	1	1	F001225A800	12	25	1
F000318B700	3	18	1	F000804A800	8	4	1	F001226B700	12	26	1
F000318B700	5	49	1	F000809A800	8	9	1	F001227A300	12	27	1
F000326B700	3	26	1	F000833B700	8	33	1	F001232C200	12	32	1
F000346B700	3	46	1	F000834B700	8	34	1	F001233B700	12	33	1
F000401G300	4	1	1	F001002C100	10	2	1	F001234F600	12	34	2
F000403G300	4	3	1	F001004A300	10	4	1	F001301B700	13	1	1
F000404G300	4	4	1	F001006A300	10	6	1	F001303D200	13	3	1
F000408G300	4	8	1	F001007B700	10	7	1	F001304G300	13	4	1
F000413G300	4	13	1	F001010A100	10	10	1	F001305D300	13	5	1
F000415G300	4	15	1	F001012B700	10	12	1	F001306B700	13	6	1
F000416G300	4	16	1	F001014C300	10	14	1	F001310G300	13	10	1
F000417A600	4	17	1	F001015D300	10	15	1	F001311A600	13	11	1
F000418G300	4	18	2	F001017B300	10	17	1	F001313D600	13	13	1
F000419A600	4	19	1	F001018A100	10	18	1	F001322G300	13	22	1
F000420G300	4	20	1	F001019A300	10	19	1	F001348B700	13	48	1
F000421G300	4	21	1	F001021A300	10	21	1	F001351B600	13	51	1
F000422A600	4	22	1	F001023C100	10	23	1	F001352D300	13	52	1
F000423A600	4	23	1	F001024A300	10	24	1	F001353B700	13	53	1
F000424G300	4	24	1	F001026E200	10	26	1	F001354B700	13	54	1
F000425G300	4	25	1	F001028A300	10	28	1	F001503A600	15	3	4
F000426G300	4	26	1	F001029A100	10	29	1	F001505C200	15	5	8
F000429A600	4	29	1	F001031A400	10	31	1	F001507B700	15	7	2
F000430A600	4	30	1	F001032A300	10	32	1	MA04280307A	1	25	1
F000501A200	5	1	1	F001033D100	10	23	1	MA05320408A	10	9	1
F000505D600	5	5	1	F001034B700	10	34	1	MA05320408A	13	9	1
F000509A300	5	9	1	F001101B300	11	1	1	MA06400510A	13	47	1
F000512A300	5	12	1	F001102A100	11	2	1	MA06400510A	9	11	1
F000513C300	5	13	1	F001105A100	11	5	1	MBO3200306A	2	8	2
F000514B700	5	14	1	F001106E200	11	6	1	MBO3200403F	12	24	2
F000518C100	5	18	1	F001107K700	11	7	1	MBO3200405A	16	26	2
F000520A300	5	20	1	F001109D300	11	9	1	MBO3200405A	5	48	2
F000522A300	5	22	1	F001112K700	11	12	1	MBO3200506K	13	55	2
F000523A100	5	23	1	F001114C300	11	14	1	MBO3200605B	12	18	1
F000526D200	5	26	1	F001115B100	11	15	1	MBO3200606K	11	8	2
F000528A300	5	28	1	F001117A100	11	17	1	MBO3200606K	5	27	2
F000533B700	5	33	1	F001118A100	11	18	1	MBO3200806K	6	23	2
F000534C300	5	34	1	F001121A300	11	21	1	MBO4280507D	3	49	2
F000535A300	5	35	1	F001122A100	11	22	1	MBO4280507K	2	35	2
F000539B700	5	39	1	F001124E200	11	24	1	MBO4280605M	1	16	1
F000541B700	5	41	1	F001125A300	11	25	1	MBO4280705M	2	47	1
F000543B700	5	43	1	F001127D300	11	27	1	MBO4280705K	10	36	1
F000546K700	5	46	2	F001130A800	11	30	1	MBO4280707M	1	22	1
F000554D200	5	54	1	F001132D300	11	32	1	MBO4280707M	2	51	1
F000556B700	5	56	1	F001133B700	11	33	1	MBO4280807K	11	34	1
F000601C200	6	1	1	F001135C300	11	35	1	MBO4280807K	12	2	3

# FT零件冊檢索 INDEX

圖號 Parts No.	組 Group	序號 Ref.No.	單位用量 Amt.Req.	圖號 Parts No.	組 Group	序號 Ref.No.	單位用量 Amt.Req.	圖號 Parts No.	組 Group	序號 Ref.No.	單位用量 Amt.Req.
MB04280807K	2	37	2	ME04281408A	2	10	1	SA79180613A	15	4	12
MB04280807K	3	19	9	MH05320400A	5	15	1	SF36400706A	7	14	2
MB04280807K	3	24	2	MH05320400A	5	17	1	SH32440300A	7	11	1
MB04280807K	5	40	2	MH85240300A	8	13	2	SH32440300A	7	12	1
MB04280807K	6	12	2	MH85240500A	9	23	2	SH32440300A	7	9	1
MB04280807K	9	7	1	MK04281007A	2	17	8	60315210F	16	4	1
MB04281007K	2	33	3	MK05201808G	11	23	1	60315210F	13	17	1
MB04280807K	5	42	1	MK05202108G	11	19	1	C000139ST	1	6	2
MB04281207K	13	15	3	MK85240607A	5	4	1	C000228DW	1	15	2
MB04281207K	9	25	2	MK95301407A	8	37	1	C000228DW	2	45	2
MB04281607A	7	15	2	MM04281007A	2	3	1	C000232PW	13	7	1
MB04283809E	1	14	1	MM04281407A	10	3	5	C000232PW	3	23	2
MB04284209E	2	44	1	MM04281407A	8	27	1	C000232PW	3	27	2
MB05320509G	8	2	2	MM04281607A	2	2	3	C000232PW	5	37	1
MB05320805F	12	28	2	MM04282507B	7	19	2	C000360SP	3	51	2
MB06401012M	15	8	4	MM04283007B	13	44	2	C000504BB	5	6	1
MB06401910Q	11	40	1	MM04284007B	13	45	2	C000506BB	5	8	1
MB06404609S	15	2	2	MM05320809A	11	4	2	C000506BB	6	5	2
MB75180405A	10	13	2	MM05321009A	6	26	1	C000526LW	5	45	1
MB85240507A	5	38	1	MM05321009A	7	17	1	C0005470R	5	57	2
MB85240607K	6	40	2	MM05321209A	10	11	3	C000607TB	6	7	1
MB85240607K	7	2	1	MM05321209A	5	24	1	C000614CR	6	14	1
MB85240607K	8	35	3	MM05321409A	6	32	1	C000615BB	6	15	2
MB85240807K	6	35	2	MM06401210A	11	3	3	C000631SW	11	11	2
MB85240807K	12	31	2	MM06401210A	12	16	1	C000631SW	13	8	1
MB85240807K	5	55	1	MM06401210A	13	36	2	C000631SW	6	31	1
MB85241006K	6	21	2	MM06401610A	6	25	1	C000719NB	7	21	1
MB85241306K	5	19	2	MM06401610A	9	15	1	C000820SP	11	29	1
MB95301011E	2	5	1	MM06402010A	1	29	6	C000820SP	8	20	1
MB95301107K	7	6	1	MM10603016A	1	36	4	C000828ER	8	28	2
MC95300808E	8	6	1	MN03200300A	5	25	4	C000904NB	9	4	1
MB95301407K	6	20	2	MN04280400A	1	17	1	C000906CR	9	6	1
MC95301608E	8	8	2	MN04280400A	10	16	2	C000910PW	9	10	1
MC03200807G	3	45	1	MN04280400A	11	28	2	C001137DW	2	6	1
MC04280507D	1	21	2	MN04280400A	13	34	3	C0013130R	13	16	1
MC04280507D	13	12	2	MN04280400A	2	46	1	C001510PW	15	10	12
MC04280507D	13	2	6	MN04280400A	5	30	2	F000130ST	1	30	4
MC04280507D	2	50	4	MN04280400A	6	37	1	F0002230R	2	23	1
MC04280807D	1	24	4	MN04280600C	12	22	1	F000225ER	2	25	1
MC04280807D	2	14	1	MN05320500E	11	10	2	F000238ST	2	38	2
MC04280807D	3	14	5	MN05320500E	10	22	1	F000254PW	2	54	2
MC04281207D	1	2	1	MN05320500E	10	5	2	F000414CS	4	14	1
MC04281407D	1	26	4	MN05320500E	12	12	2	F000511BB	5	11	1
MC04281407D	2	42	2	MN05320500E	5	21	2	F000516BB	5	16	1
MC04282007D	1	37	1	MN05320500E	9	3	2	F000531BB	5	31	1
MC05321209D	2	55	1	MN06400500A	6	16	2	F000532ER	5	32	1
MC06401008E	8	32	1	MN06400600A	10	30	2	F000547PW	5	47	2
MC06401008E	16	23	2	MN06400600A	12	4	3	F001113ER	11	13	1
MH95300400A	10	27	1	MN06400600A	5	3	9	F001126SR	11	26	1
MC95300606F	10	25	1	MN06400600A	6	3	1	F0011310R	11	31	1
MC95300606F	8	23	2	MN06400600A	9	18	2	F001208SP	12	8	1
MC95300606F	8	25	2	MN06400800C	5	2	5	F001210NB	12	10	1
MC95300606F	9	13	2	MN06400800C	6	2	2	F001220NB	12	20	1
ME03200506A	3	35	2	MN08401600E	6	18	2	DF000560	12	29	1
ME03200606A	5	44	2	SA36400307A	16	25	1	DF000560	12	30	1
ME04280708A	12	14	2	SB24560405A	10	1	1	LLF00560	10	35	1
ME04280708A	2	11	1	SB36400810E	16	24	1	NCC00400	7	7	1
ME04280708A	3	40	1	MC85240705A	8	15	1	NCC00480	7	7	1
ME04281008A	2	18	2	SC79189627B	15	9	4	NCC00561	7	7	1
ME04281408A	11	37	2	SA95281017A	1	10	1	NCC00641	7	7	1

# FT零件冊檢索 INDEX

圖號 Parts No.	組 Group	序號 Ref.No.	單位用量 Amt.Req.	圖號 Parts No.	組 Group	序號 Ref.No.	單位用量 Amt.Req.	圖號 Parts No.	組 Group	序號 Ref.No.	單位用量 Amt.Req.
PFC00400	8	14	1	6667	16	18	1				
PFC00480	8	14	1	6675	16	19	1				
PFC00561	8	14	1	6690	16	14	1				
PFC00641	8	14	1	6692	13	20	1				
SLF00560	9	1	1	6695	16	2	1				
TPC00400	7	13	1	6700	16	1	1				
TPC00480	7	13	1	6715	16	9	1				
TPC00561	7	13	1	6720	16	5	1				
TPC00641	7	13	1	6721	16	7	1				
NGF00D0	5	36	1	6722	16	8	1				
NGF00D1	10	37	1	6725-10	16	15	5				
670510	14	10	1	6725-10	7	8	依機型而定				
670511	14	11	1	6790	13	24	1				
670512	14	12	1	6790	13	26	1				
670513	14	13	1	6800	3	31	1				
670514	14	14	5	6800	4	2	1				
670515	14	15	5	6800	5	29	2				
670516	14	16	5	6800	6	38	1				
670517	14	17	5	6800	6	39	1				
670519	14	19	5	6800	7	23	1				
670520	14	20	5	6840	16	3	1				
670521	14	21	1	6846	16	6	1				
670522	14	22	1	6857	16	28	1				
670523	14	23	4	6858	16	29	1				
670524	14	24	4								
670525	14	25	4								
670526	14	26	4								
670527	14	27	1								
670528	14	28	1								
670529	14	29	1								
670530	14	30	1								
670631	14	31	1								
ST0410	3	28	1								
67051	14	1	1								
67052	14	2	1								
67053	14	3	1								
67054	14	4	1								
67055	14	5	2								
67056	14	6	1								
67057	14	7	1								
67058	14	8	3								
67059	14	9	4								
67061	14	18	1								
6474-1	1	31	1								
6474-2	1	31	1								
6474-3	1	31	1								
6474-4	1	31	1								
6474-5	1	31	1								
6474-6	1	31	1								
6474-7	1	31	1								
6474-8	1	31	1								
6474-9	1	31	1								
6474-10	1	31	1								
6620	1	32	3								
6625	16	13	1								
6636	16	10	1								
6637	16	11	1								
6655	16	12	1								
6665	16	16	1								
6666	16	17	1								

