

Katalog náhradních dílů pro  
průmyslový šicí stroj

GARUDAN<sup>®</sup>

CT serie - RP



ANITA B, s.r.o.

Hliníky 2068

680 01 Boskovice

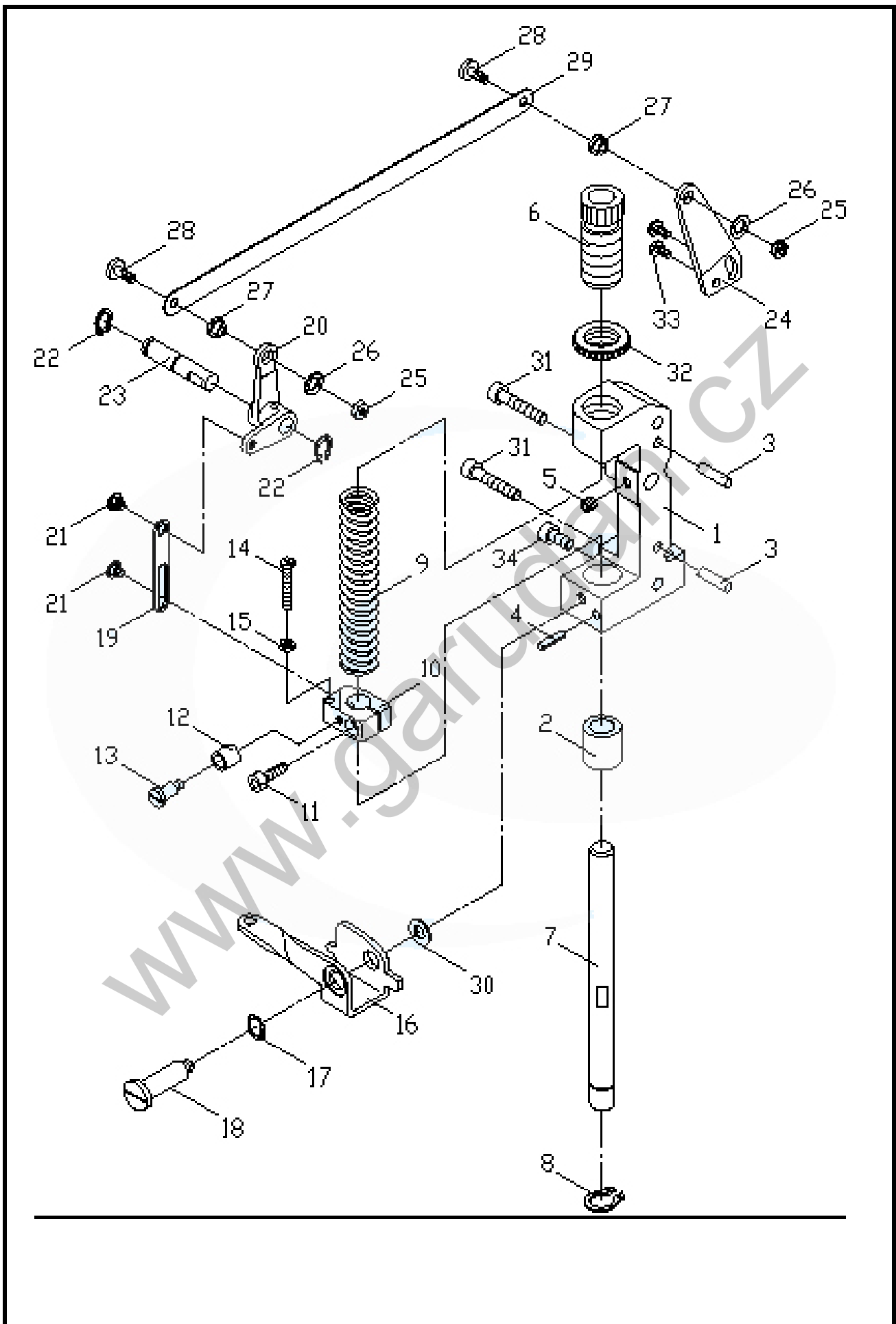
Czech Republic

tel: +420 516 454 774

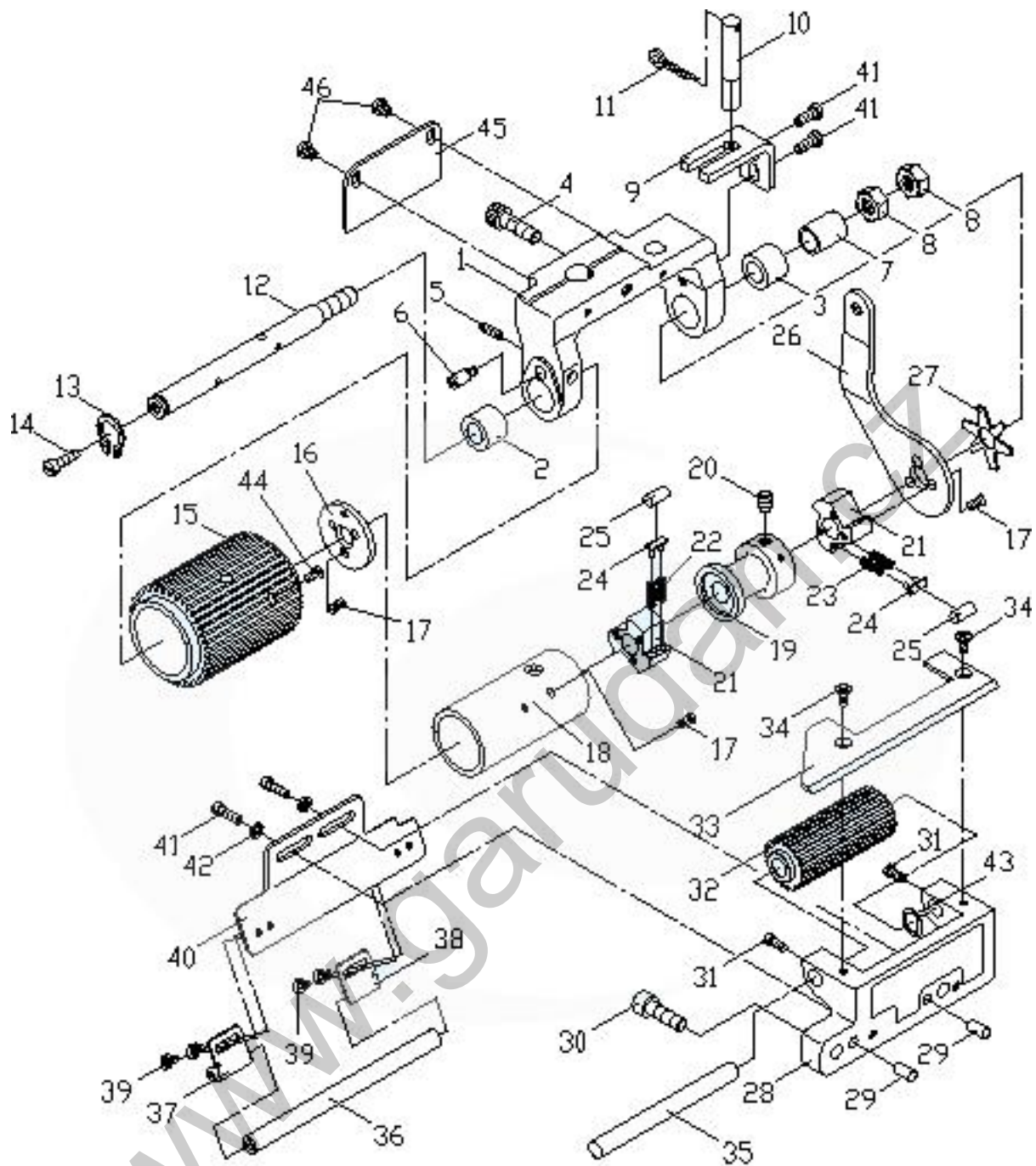
+420 516 453 496

fax: +420 516 452 751

e-mail: [info@anita.cz](mailto:info@anita.cz)



1.RP-1 Odtahový válec (1)			
Pozice	JKPOV	Popis	Počet
1	4RP0010101	Upper Feed Roller Bracket	1
2	4RP0010102	Roller Press Bar Bushing	1
3	4RP0010103	Knock Pin	2
4	90SP0420	Stop Pin	1
5	8MN06400500A	Screw (CT0513 M6-1*5)	1
6	4RP0010106	Spring Regulator	1
7	4RP0010107	Upper Feed Rrller Press Bar	1
8	90ER0100	Retaining Ring	1
9	4RP0010109	Roller Press Spring	1
10	4RP0010110	Roller Press Bar Bracket	1
11	8MM05321609A	Screw (RP0111 M5-0.8*16)	1
12	4RP0010112	Lifting Lever Sleeve	1
13	8SB44401510E	Stud (RP0113 11/64"-40*14.6)	1
14	8SB44403006A	Screw (RP0114 11/64"*30)	1
15	8SA44400307A	Nut (SH0914 11/64"-40*2.5)	1
16	4RP0010116	Upper Feed Roller Lifting Lever	1
17	90WW105	Corrugated Washer	1
18	8MB06403516E	Stud (RP0118 M6-1*35)	1
19	4RP0010119	Lifter Connecting Plate	1
20	4RP0010120	Right Upper Feed Roller Arm	1
21	8SB48320510G	Screw (RP0121 3/16"-32*5)	2
22	90ER080	Retaining Ring	1
23	4RP0010123	Upper Feed Roller Lifter Pin	1
24	4RP0010124	Left Upper Feed Roller Arm	1
25	8SA44400307A	Nut (SH0914 11/64"*2.5)	2
26	4RP0010126	Washer	2
27	4RP0010127	Spacer	2
28	8SB44401110B	Screw (RP0128 11/64"-40*11)	2
29	4RP0010129	Lifter Connecting Plate	1
30	2100000645	Washer	1
31	8MM06403210B	Screw (RP0131 M6-1*32)	2
32	4RP0010132	Nut	1
33	8MC95300808E	Screw (CT0138 M4.5-0.75*8)	2
34	8MM06401210A	Screw (FT1103 M6-1*12)	1



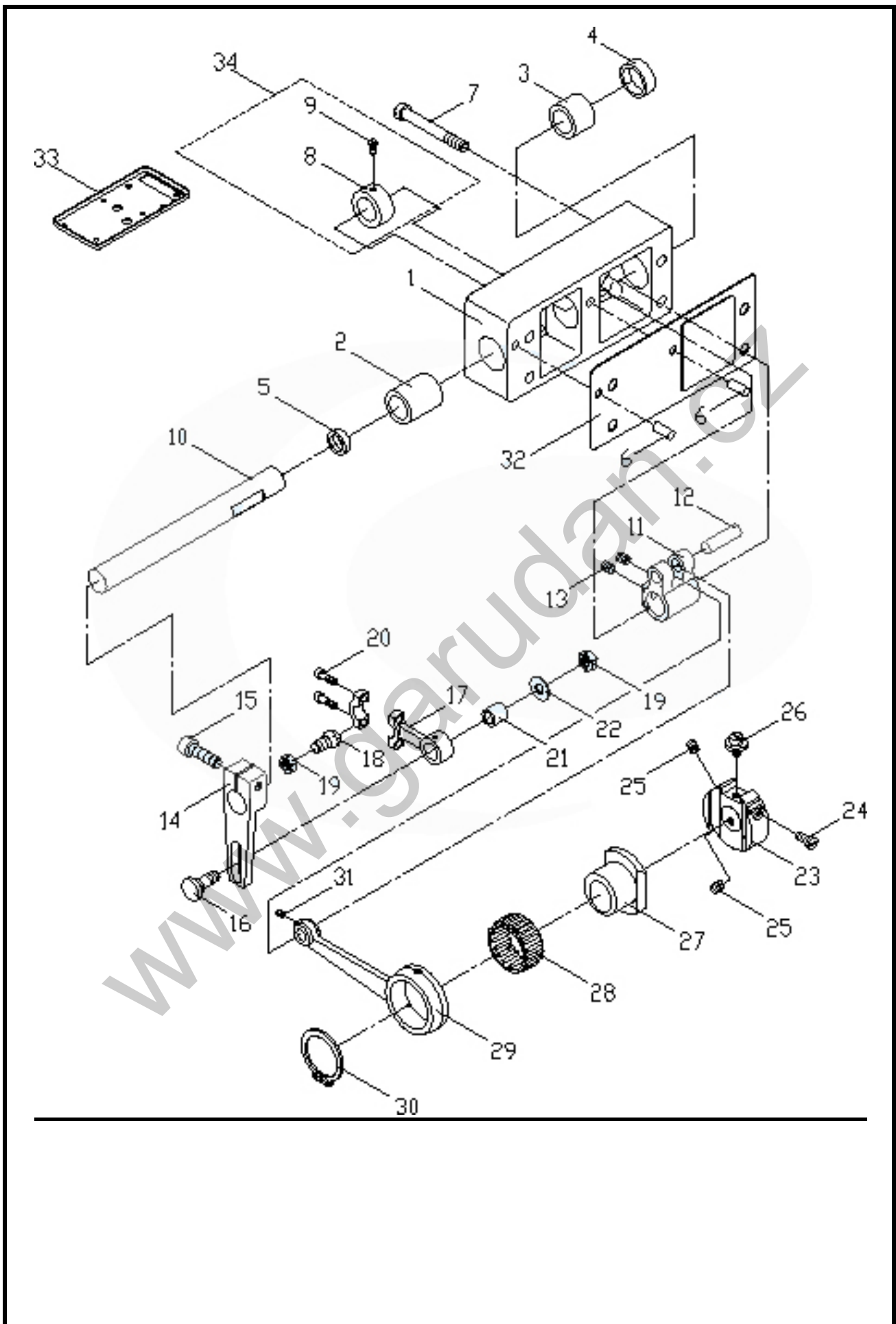
15 Upper Feed Roller

A-TYPE	4RP0010215-30
B-TYPE	4RP0010215-26
C-TYPE	4RP0010215-24
D-TYPE	4RP0010215-20
E-TYPE	4RP0010215-0

32 Lower Feed Roller

A-TYPE	4RP0010232-15
B-TYPE	4RP0010232-13
C-TYPE	4RP0010232-12
D-TYPE	4RP0010232-10
E-TYPE	4RP0010232-0

2.RP-1Odtahový válec (2)			
Pozice	JKPOV	Popis	Počet
1	4RP0010201	Upper Feed RollerYoke	1
2	4RP0010202	Left Clutch Driving Shaft Bushing	1
3	4RP0010203	Right Clutch Driving Shaft Bushing	1
4	8MM06402010A	Screw	1
5	8MN04280400A	Screw	2
6	4RP0010206	Stop Pin	1
7	4RP0010207	Clutch Tension Sleeve	1
8	8MA08500613A	Nut	2
9	4RP0010209	Yoke Guide	1
10	4RP0010210	Yoke Pin	1
11	4RP0010211	Cotter Pin	1
12	4RP0010212	Clutch Driving Shaft	1
13	90ER090	Retaining Ring	1
14	8MB05321008K	Screw	1
15	- -	Upper Feed Roller	1
16	4RP0010216	Clutch Cheek Plate	1
17	8SF36400606A	Screw	9
18	4RP0010218	Clutch Sleeve	1
19	4RP0010219	Clutch Spacer	1
20	8MM06400600A	Screw	1
21	4RP0010221	Clutch	2
22	4RP0010222	Clutch Spring	6
23	4RP0010223	Clutch Spring	6
24	4RP0010224	Clutch Roller Base	6
25	4RP0010225	Clutch Roller	6
26	4RP0010226	Clutch Driving Lever	1
27	4RP0010227	Clutch Tension Spring	1
28	4RP0010228	Lower Feed Roller Support	1
29	4RP0010103	Knock Pin	2
30	8MM06401210A	Screw	2
31	8MN04280400A	Sctew	2
32	- -	Lower Feed Roller	1
33	4RP0010233	Lower Feed Roller Cover	1
34	8ME03200606A	Screw	1
35	4RP0010235	Lower feed Roller Shaft	1
36	4RP0010236	Supplementary Roller	1
37	4RP0010237	Left Supplementary Roller Stay	1
38	4RP0010238	Ringt Supplementary Roller Stay	1
39	8SC32440406A	Screw	4
40	4RP0010240	Supplementary Roller Support	1
41	8MB04280807K	Screw	4
42	4RP0010126	Washer	2
43	4RP0010243	Corrugated Washer	1
44	8SB36400606A	Screw	3
45	4RP0010245	Lower Feed Roller Cover	1
46	8MB04280507K	Screw (FT0235 M4-0.7*5)	2



3.RP-1 Odtahový válec (3)			
Pozice	JKPOV	Popis	Počet
1	4RP0010301	Upper Feed Roller Shaft Bracket	1
2	4RP0010302	Left Roller Shaft Bushing	1
3	4RP0010303	Right Roller Shaft Bushing	1
4	2200000245	Seal Plug	1
5	4RP0010305	Oil Seal	1
6	4RP0010103	Knock Pin	2
7	8MM06403510A	Screw	4
8	4RP0010308	Collar	1
9	8SN44400400A	Screw	2
10	4RP0010310	Upper Feed Roller Shaft	1
11	4RP0010311	Upper Feed Roller Shaft Lever	1
12	4RP0010312	Upper Feed Roller Driving Rod Pin	1
13	8MN06400600A	Screw	2
14	4RP0010314	Upper Feed Roller Arm	1
15	8MM06402010A	Screw	1
16	4RP0010316	Upper Feed Roller Lever Pin	1
17	4RP0010317	Upper Feed Roller Lever Rod	1
18	4RP0010318	Ball Stud	1
19	8SA64400409B	Nut	2
20	8SB36401106A	Screw	2
21	4RP0010321	Upper Feed Roller Lever Rod Bushing	1
22	4RP0010322	Washer	1
23	4RP0010323	Upper Feed Roller Regulator	1
24	8MB04280807K	Screw	1
25	8MN05320500E	Screw	2
26	4RP0010326	Adjusting Stud	1
27	4RP0010327	Upper Feed Roller Eccentric	1
28	90NB252913	Roller Bearing	1
29	4RP0010329	Upper Feed Roller Driving Rod	1
30	4RP0010330	Retaining Ring	1
31	8MN03200500A	Screw	1
32	4RP0010332	Gasket	1
33	4RP0010333	Oil Receiver	1
34	4RP001A0334	Collar	1
35	4RP001A0335	Upper Feed Roller Lever Rod	1